



US00D621640S

(12) **United States Design Patent**
Tiemann

(10) **Patent No.:** **US D621,640 S**

(45) **Date of Patent:** **** Aug. 17, 2010**

(54) **COFFEE POD SWIRL CAROUSEL**
(75) Inventor: **Frank R. Tiemann**, Madison Lake, MN
(US)

D386,363 S * 11/1997 Dardashti D7/704
D498,982 S * 11/2004 Hockey D7/600.2
D504,594 S * 5/2005 Burnett et al. D7/600.2
D536,936 S * 2/2007 Tiemann D7/704
D609,057 S * 2/2010 Hertaus D7/600.2

(73) Assignee: **Nifty Home Products, Inc.**, Madison
Lake, MN (US)

* cited by examiner

(**) Term: **14 Years**

Primary Examiner—Philip S Hyder

Assistant Examiner—Sydney R Buffalow

(21) Appl. No.: **29/351,816**

(74) *Attorney, Agent, or Firm*—Thomas J. Nikolai; Nikolai &
Mersereau, P.A.

(22) Filed: **Dec. 11, 2009**

(57) **CLAIM**

(51) **LOC (9) Cl.** **06-04**

The ornamental design for a coffee pod swirl carousel, as
shown and described.

(52) **U.S. Cl.** **D6/469; D7/600.2**

(58) **Field of Classification Search** D6/464,
D6/449, 458, 466, 512, 534, 552, 469, 468,
D6/467, 462, 457; D7/590, 600.1–600.4,
D7/600, 701–708; 221/103, 123, 124, 191,
221/199, 282, 92; 211/70.1, 74, 75, 77, 78,
211/60.1, 85.31

DESCRIPTION

See application file for complete search history.

FIG. 1 is a perspective view of my coffee pod swirl carousel;
FIG. 2 is a front view of my carousel wherein the rear view is
identical;

FIG. 3 is a side view of my carousel wherein the opposite side
view is identical;

FIG. 4 is a top view of my carousel; and,

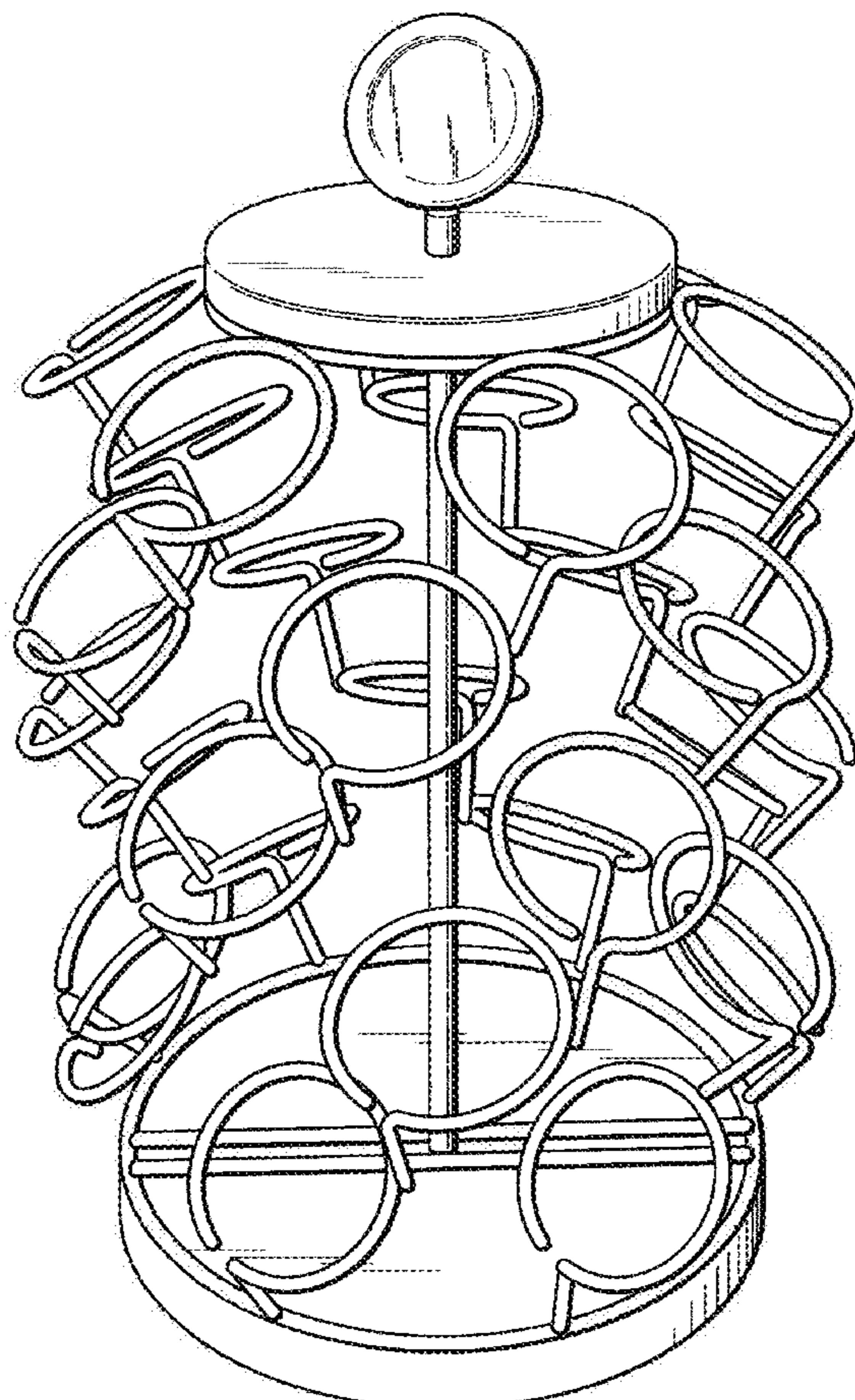
FIG. 5 is a bottom view of my carousel.

(56) **References Cited**

U.S. PATENT DOCUMENTS

D260,463 S * 9/1981 Imus D6/514
D369,950 S * 5/1996 LaPointe D7/600.2

1 Claim, 4 Drawing Sheets



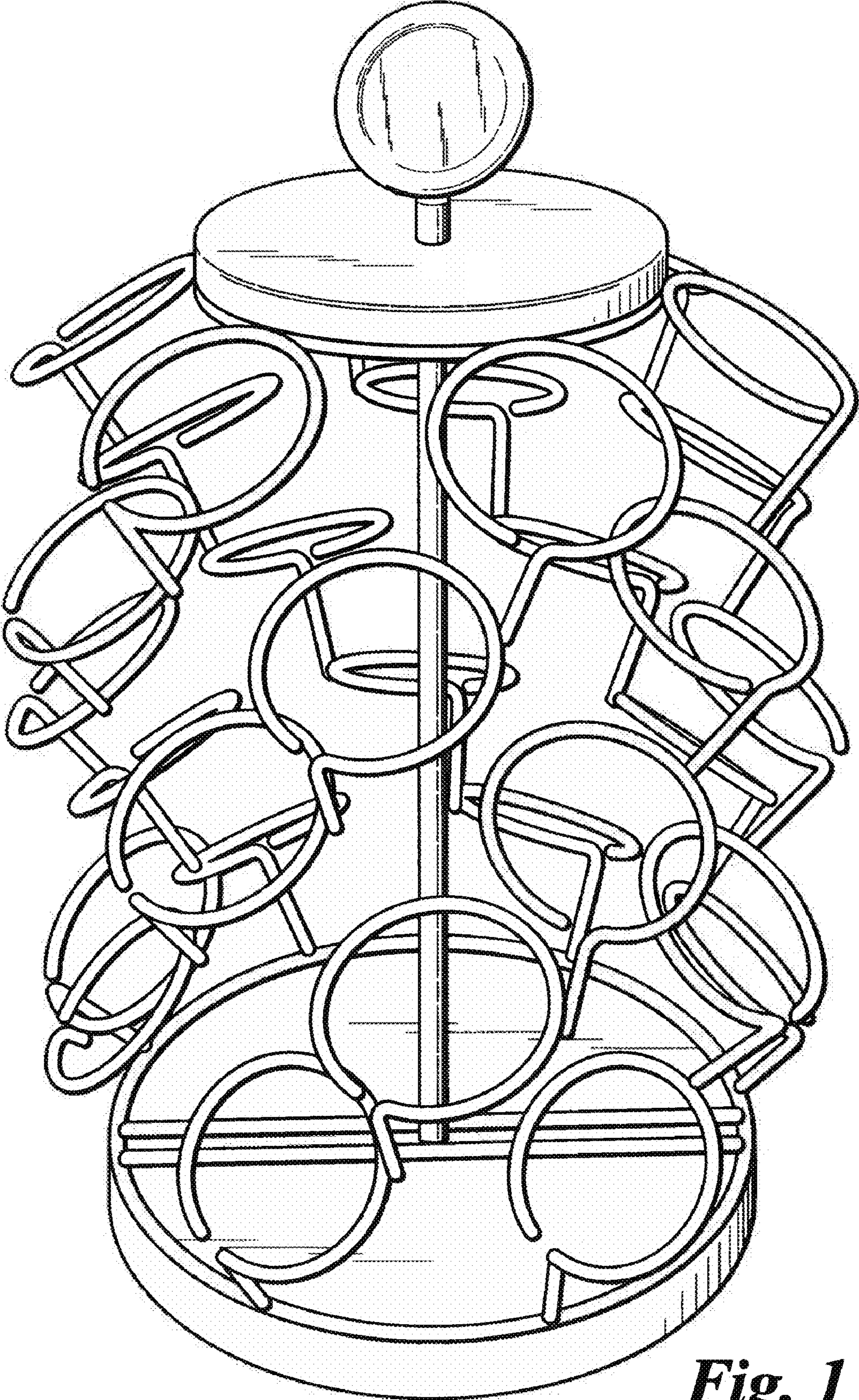


Fig. 1

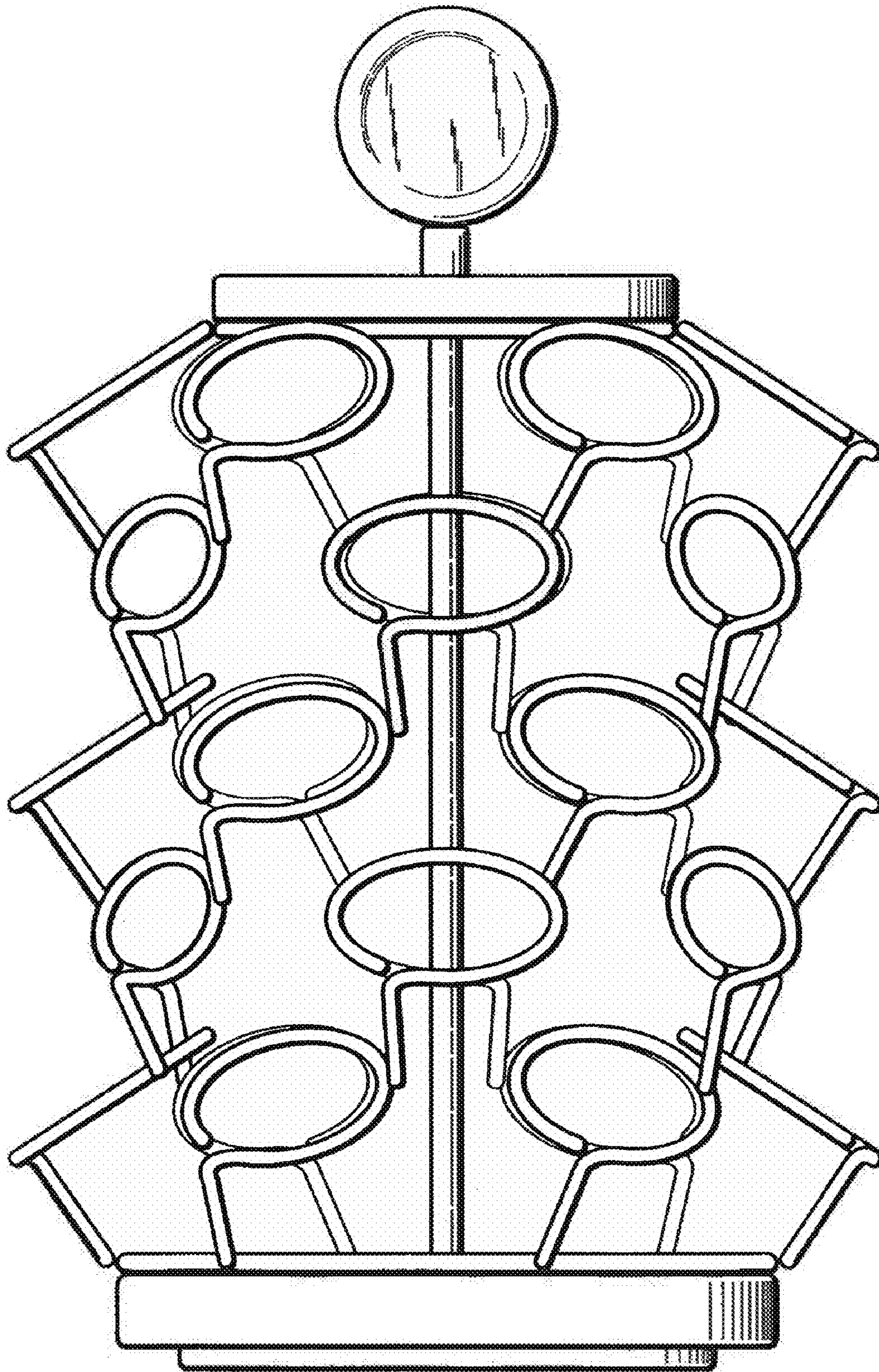


Fig. 2

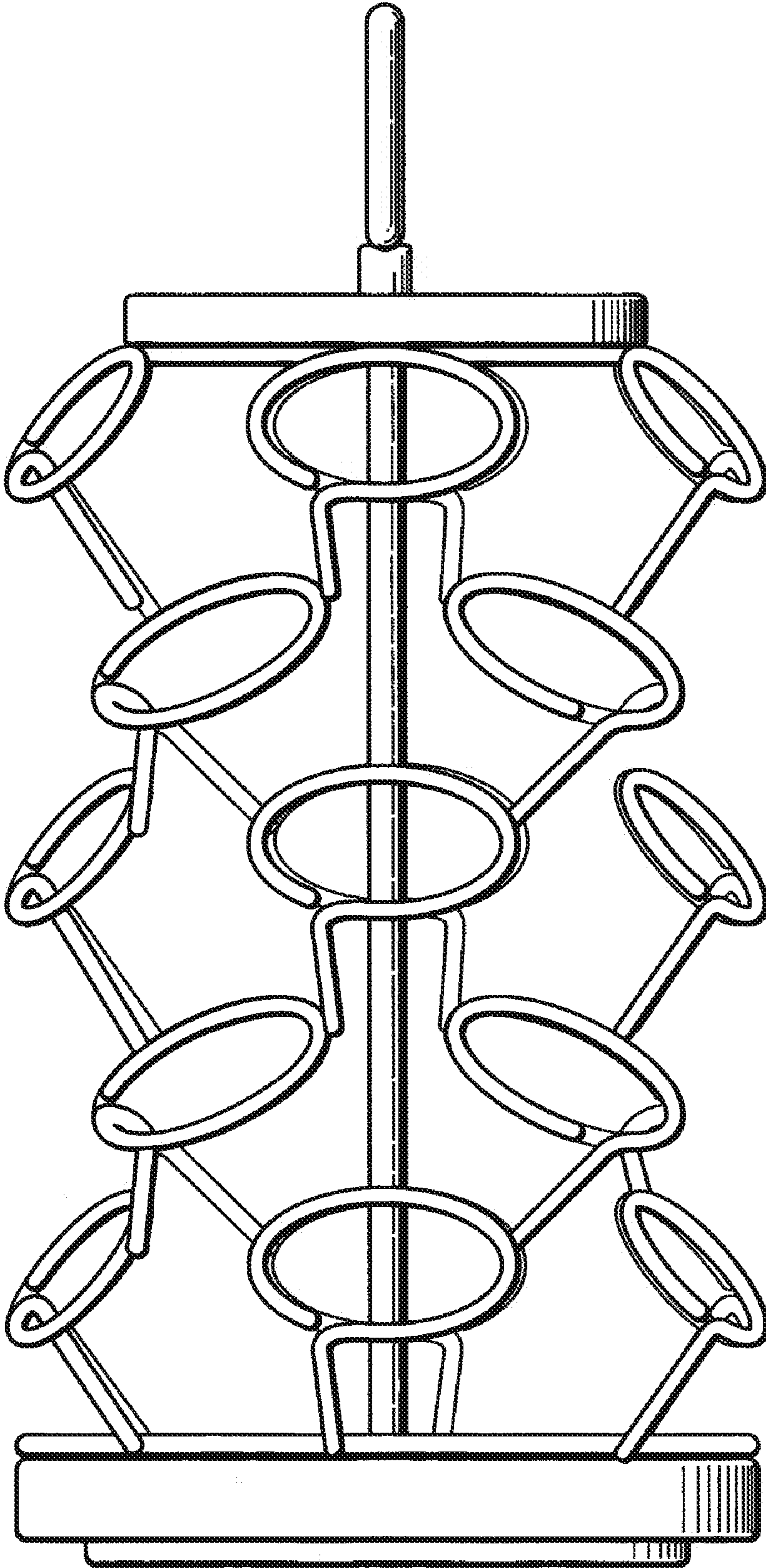


Fig. 3

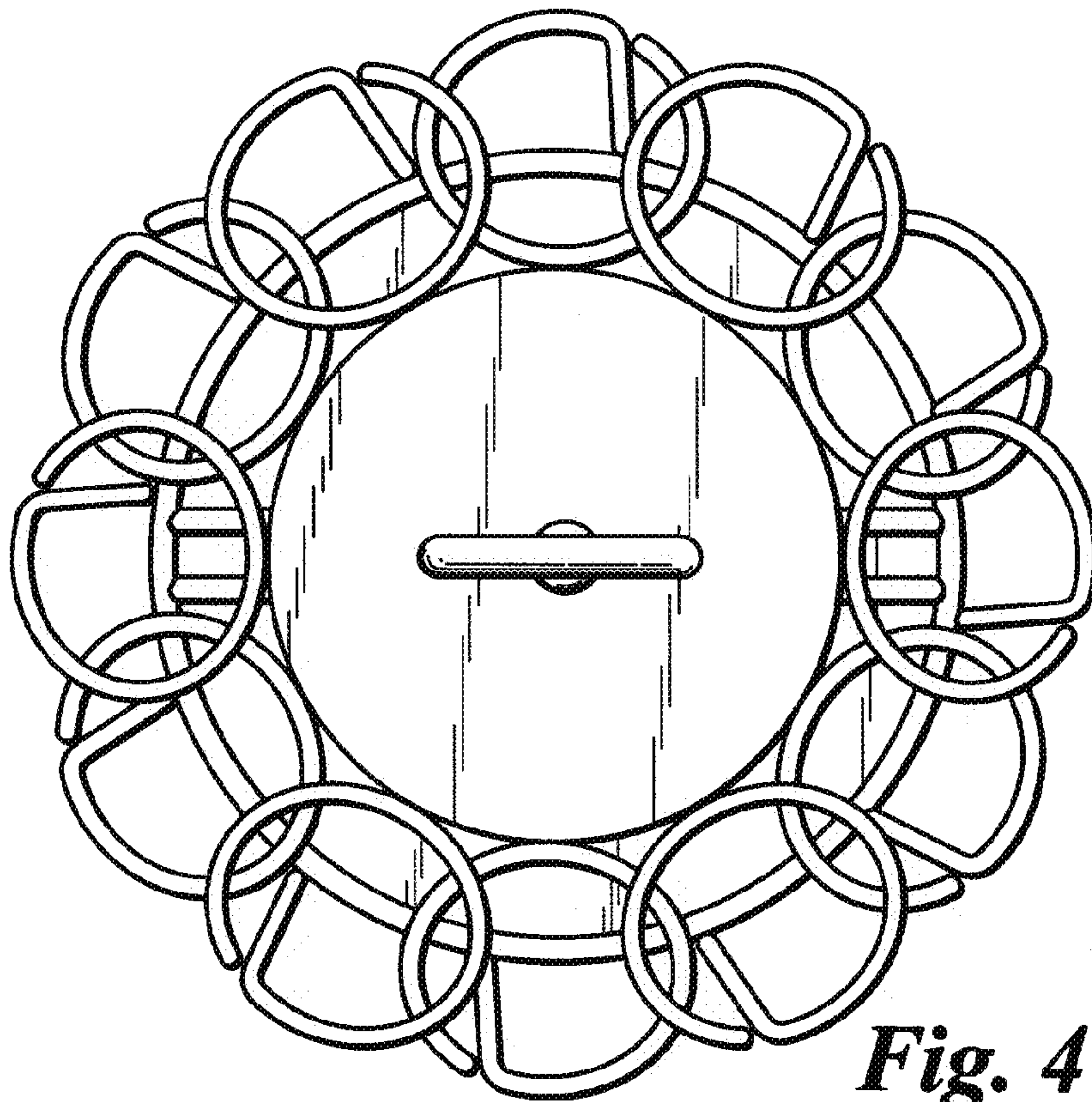


Fig. 4

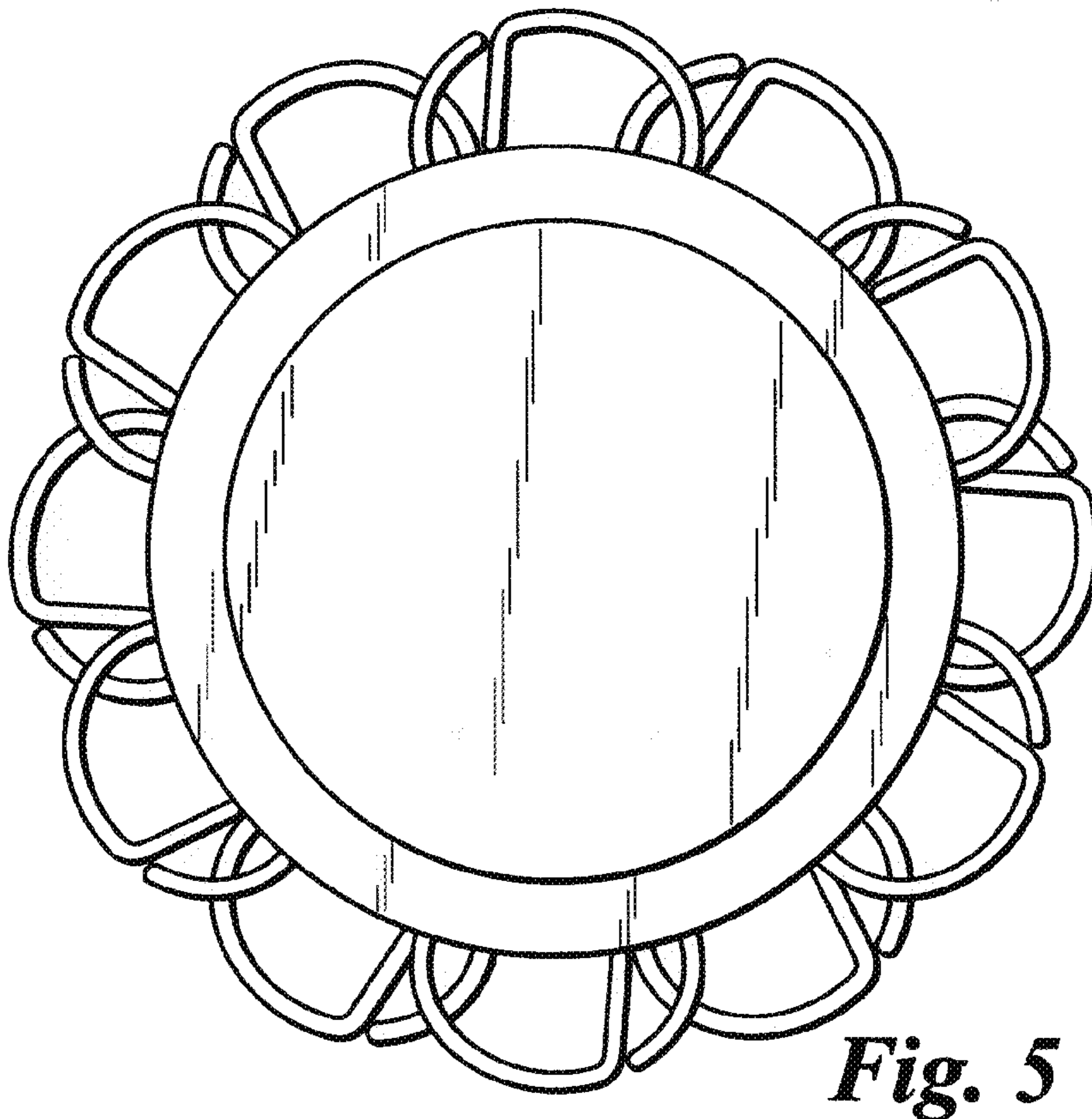


Fig. 5