



US00D621639S

(12) **United States Design Patent**  
**Merrick**

(10) **Patent No.:** **US D621,639 S**

(45) **Date of Patent:** **\*\* Aug. 17, 2010**

(54) **PRODUCT DISPLAY STAND**

(75) Inventor: **Tyler Merrick**, Southlake, TX (US)

(73) Assignee: **Project 7, Inc.**, Southlake, TX (US)

(\*\*) Term: **14 Years**

(21) Appl. No.: **29/341,712**

(22) Filed: **Aug. 11, 2009**

(51) **LOC (9) Cl.** ..... **06-04**

(52) **U.S. Cl.** ..... **D6/469**

(58) **Field of Classification Search** ..... D6/469,  
D6/467, 534, 528; 211/60.1, 73, 74, 85.4,  
211/69.1, 70.3, 70.4, 70.6, 70.7, 70.8, 107,  
211/49.1, 63, 75, 87.01, 90.04, 70.1, 89.01;  
D24/224, 130, 230, 234, 237; 422/104; 220/512;  
99/426; D99/34; D7/354

See application file for complete search history.

(56) **References Cited**

U.S. PATENT DOCUMENTS

2,459,921	A *	1/1949	Comer	.....	220/512
D265,126	S *	6/1982	Beall	.....	D24/230
D360,321	S *	7/1995	Wang et al.	.....	D6/469
5,617,960	A *	4/1997	Bishop	.....	211/60.1
5,725,109	A *	3/1998	Moulton et al.	.....	211/73
5,860,358	A *	1/1999	Shriver	.....	99/426
D474,274	S *	5/2003	Walters	.....	D24/130
D504,550	S *	4/2005	Setcer, Jr.	.....	D99/34
D506,833	S *	6/2005	Wescott, III	.....	D24/230
D507,658	S *	7/2005	Wescott, III	.....	D24/230
D533,736	S *	12/2006	Raile	.....	D6/469

D534,016	S *	12/2006	Raile	.....	D6/469
D566,423	S *	4/2008	Raile	.....	D6/467
D597,370	S *	8/2009	Watkins	.....	D7/354
2002/0108917	A1 *	8/2002	Maruyama	.....	211/74
2006/0039834	A1 *	2/2006	Itoh	.....	422/104

\* cited by examiner

*Primary Examiner*—Philip S Hyder

*Assistant Examiner*—Sydney R Buffalow

(74) *Attorney, Agent, or Firm*—Charles D. Cunter, Jr.

(57) **CLAIM**

The ornamental design for a product display stand, as shown and described.

**DESCRIPTION**

FIG. 1 is a perspective view of the product display stand of the invention with associated product containers being shown in phantom lines as not forming a part of the invention;

FIG. 2 is a front view of the product display stand of FIG. 1;

FIG. 3 is a left side view of the product display stand of FIG. 1, the right side view being a mirror image thereof;

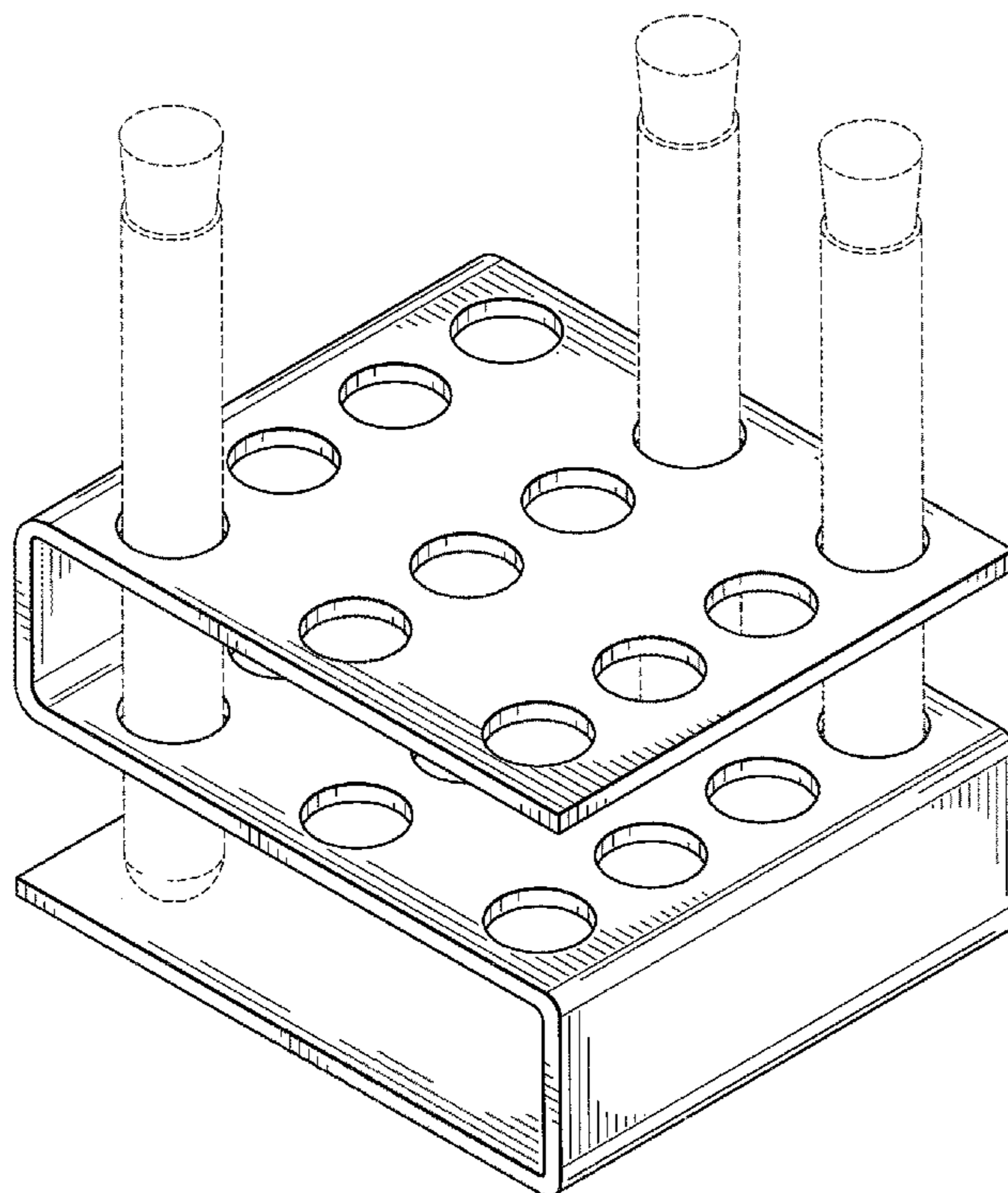
FIG. 4 is a back view of the product display stand of the invention;

FIG. 5 is a top view of the product display stand of FIG. 1; and,

FIG. 6 is a bottom view of the product display stand of the invention.

The broken lines are for illustrative purposes only and form no part of the claimed design.

**1 Claim, 3 Drawing Sheets**



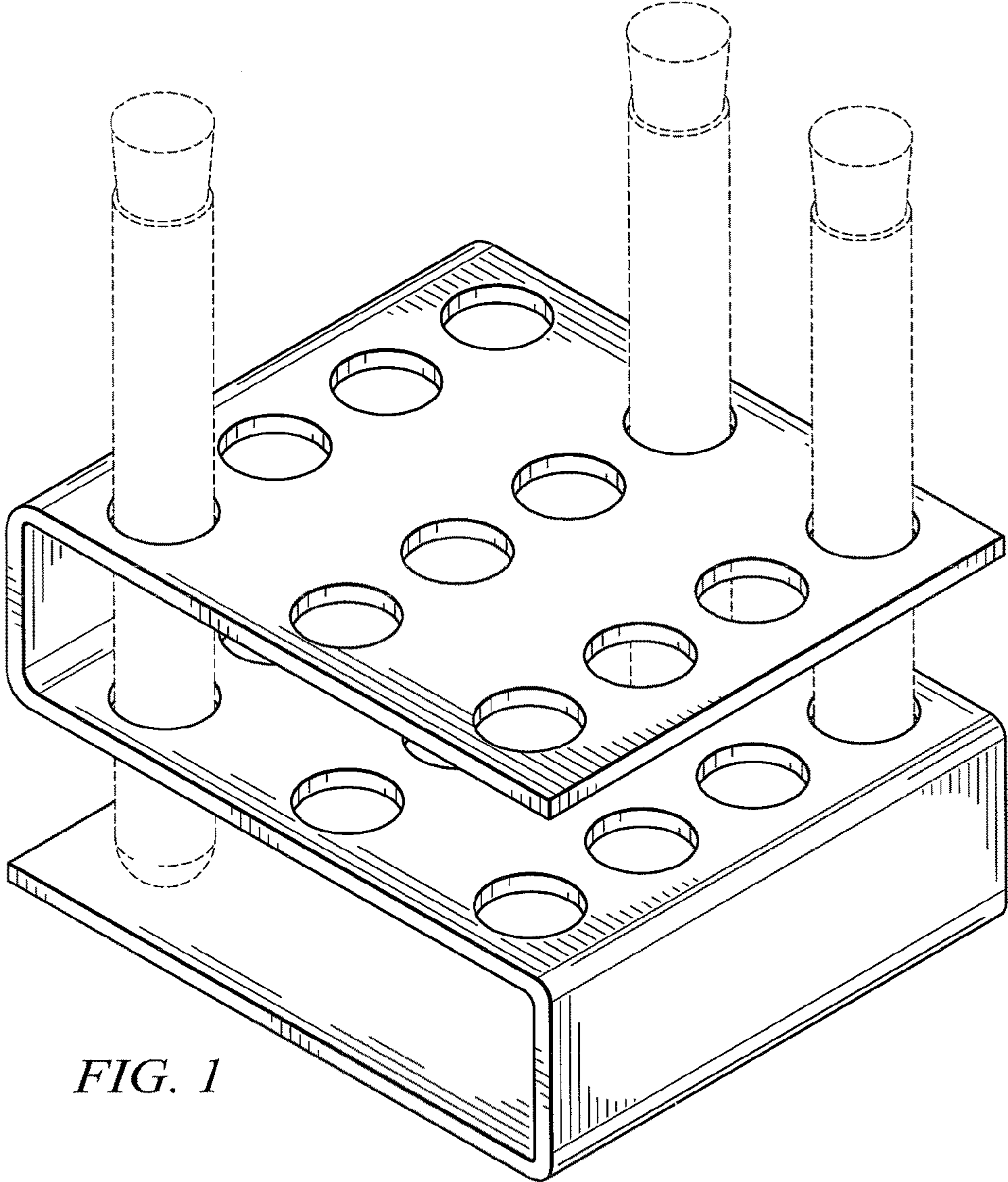


FIG. 1

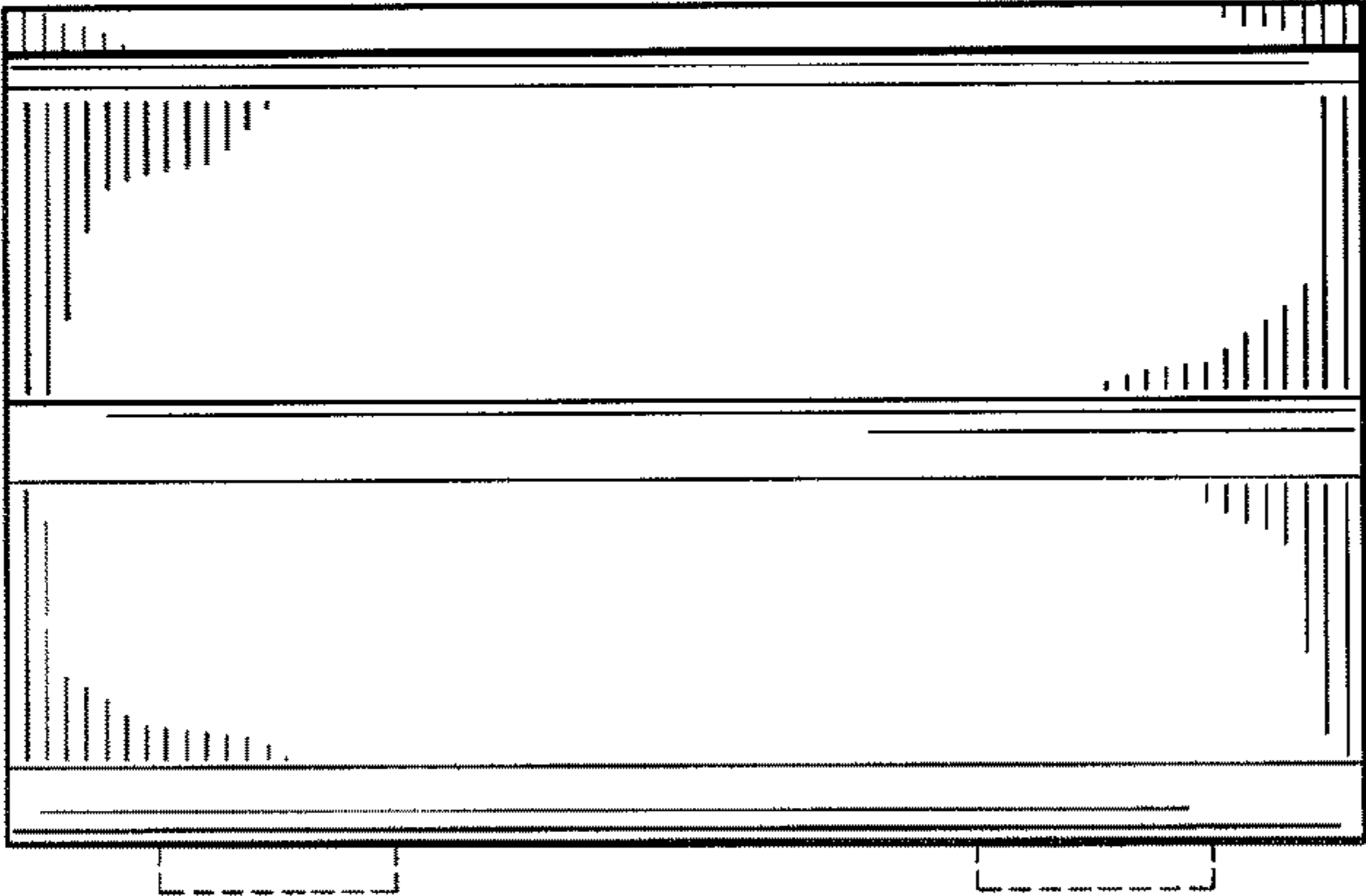
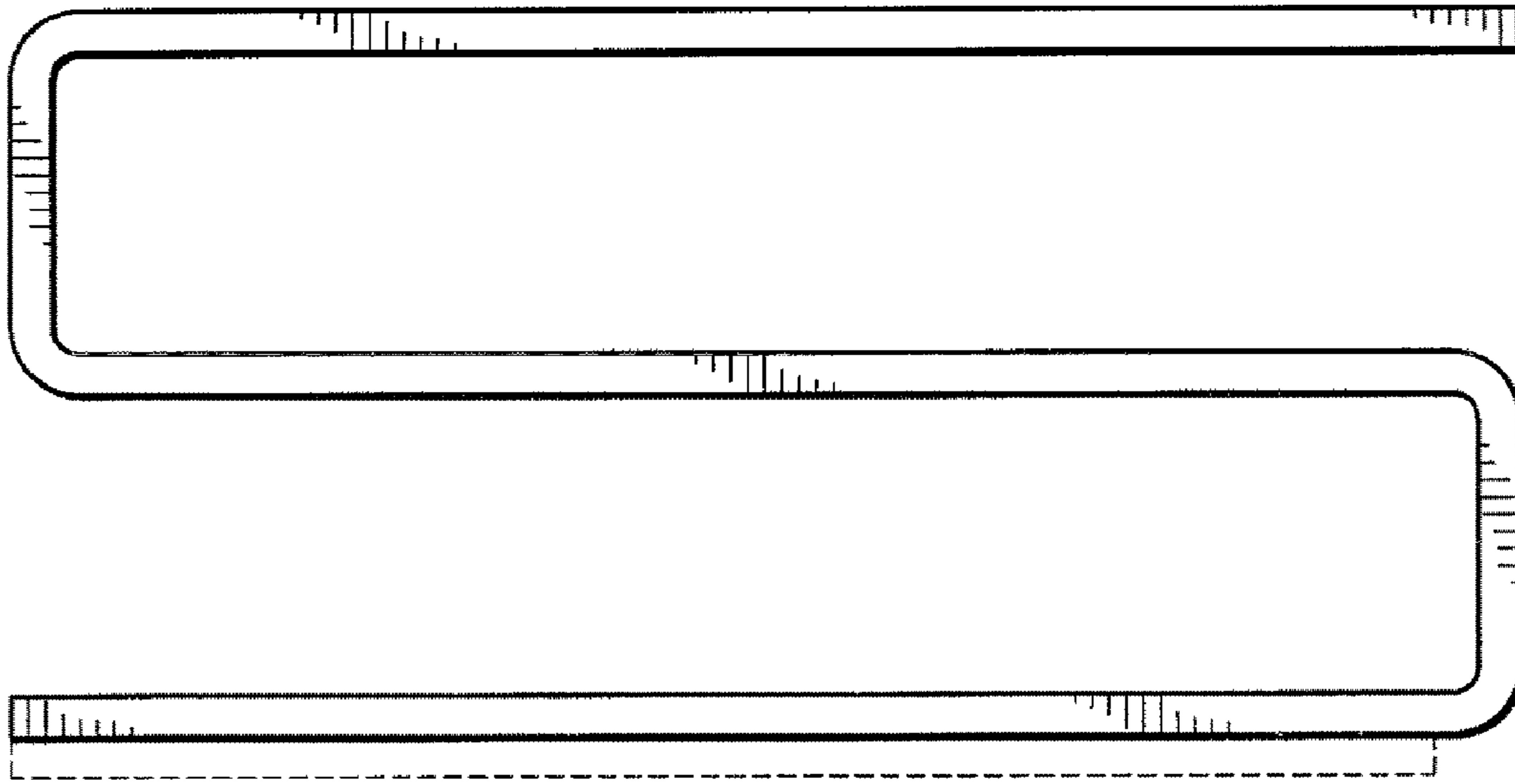
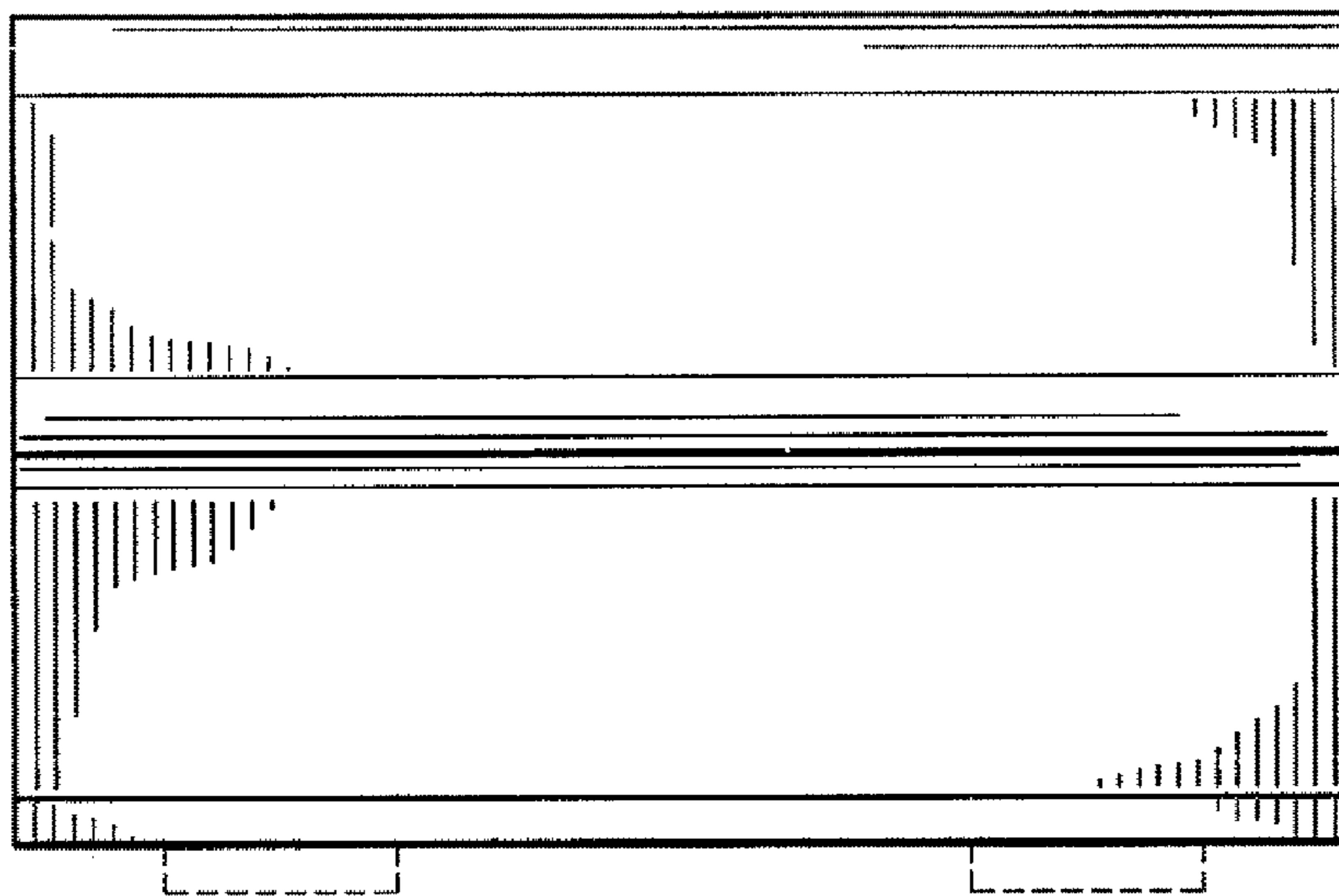


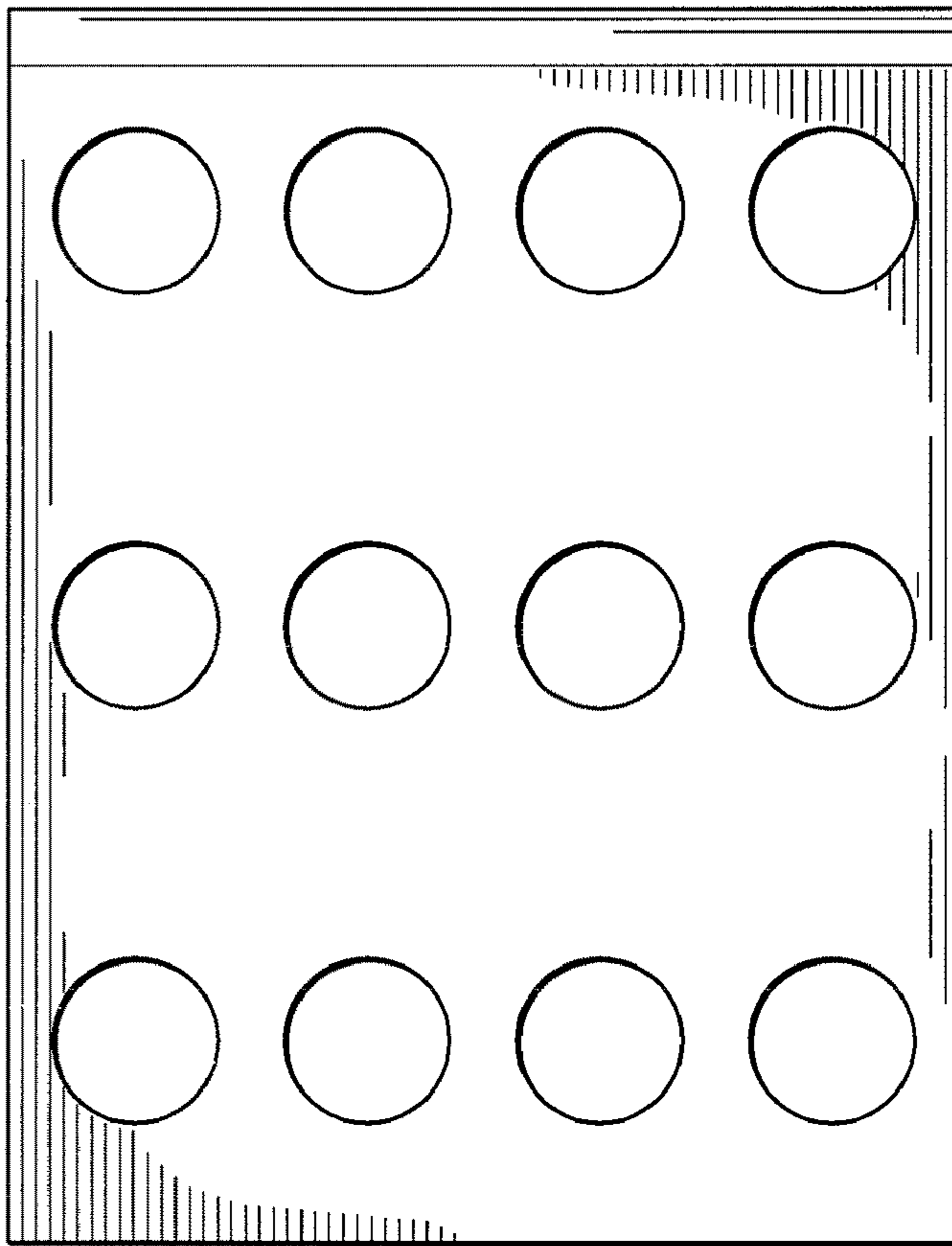
FIG. 2



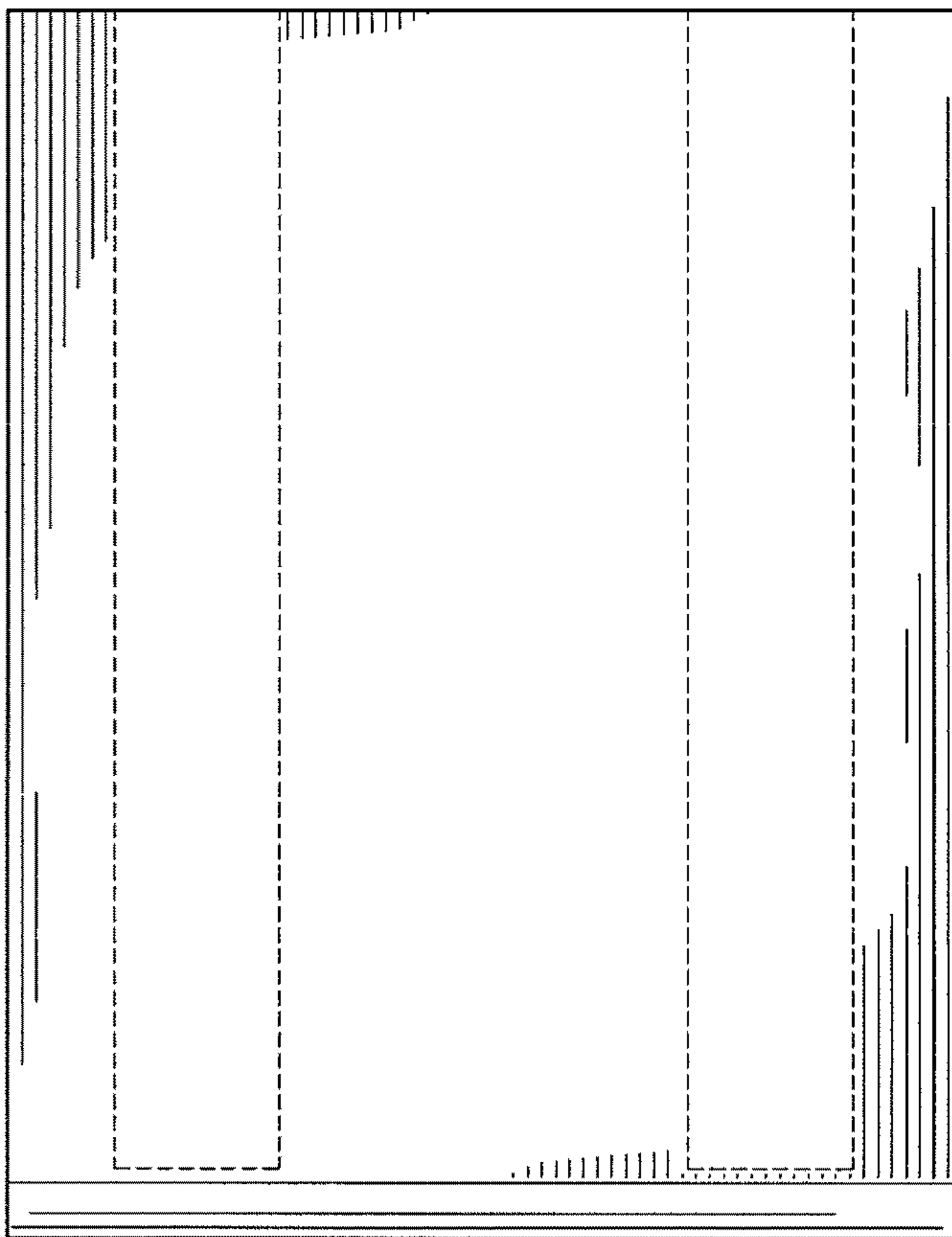
*FIG. 3*



*FIG. 4*



*FIG. 5*



*FIG. 6*