



US00D621638S

(12) **United States Design Patent**
Meech et al.

(10) **Patent No.:** **US D621,638 S**

(45) **Date of Patent:** **** Aug. 17, 2010**

(54) **ORGANIZER STAND FOR COMBINATION
SHAVING AND TRIMMING DEVICE**

(75) Inventors: **James Arthur Meech**, Sharon, MA
(US); **Kristopher William Schulz**,
Farmingham, MA (US); **Jiong Hui Li**,
Quincy, MA (US); **Marc Philip Ortins**,
Reading, MA (US); **Ionut Cirstea**,
Blauvelt, NY (US)

(73) Assignee: **The Gillette Company**, Boston, MA
(US)

(**) Term: **14 Years**

(21) Appl. No.: **29/346,243**

(22) Filed: **Oct. 29, 2009**

(51) **LOC (9) Cl.** **06-04**

(52) **U.S. Cl.** **D6/467; D28/73**

(58) **Field of Classification Search** D6/466,
D6/455, 468, 467, 396, 449, 474, 475, 495;
D28/73, 48, 51, 53, 44, 44.1; D19/86, 90,
D19/92, 95; 248/114, 116, 176.1, 127; 30/201,
30/210, 233, 233.5, 43-43.92, 44, 45; 211/13.1;
D24/215

See application file for complete search history.

(56) **References Cited**

U.S. PATENT DOCUMENTS

D209,359 S *	11/1967	Schuler	D6/466
D366,974 S *	2/1996	Nitlich	D6/468
D435,938 S *	1/2001	Bushman	D28/73
D445,275 S *	7/2001	Tringali	D6/396
D447,360 S *	9/2001	Schwarzli	D6/449
D454,265 S *	3/2002	Lillelund et al.	D6/475
D486,673 S *	2/2004	Hessell	D6/474

D487,167 S *	2/2004	Shaw	D28/48
D502,338 S *	3/2005	Zanghi et al.	D6/466
D506,331 S *	6/2005	Quintal	D6/495
D515,741 S *	2/2006	Shaw	D28/48
D519,244 S *	4/2006	Butcher	D28/51
D535,787 S *	1/2007	Lin	D28/53
D601,709 S *	10/2009	Roberts	D24/215

* cited by examiner

Primary Examiner—Philip S Hyder

Assistant Examiner—Sydney R Buffalow

(74) *Attorney, Agent, or Firm*—Jay A. Krebs

(57) **CLAIM**

The ornamental design for an organizer stand for combination shaving and trimming device, as shown and described.

DESCRIPTION

FIG. 1 is a perspective view as seen from the top, front, and left side of an organizer stand for combination shaving and trimming device showing our design;

FIG. 2 is a front elevational view thereof;

FIG. 3 is a rear elevational view thereof;

FIG. 4 is a left side elevational view thereof;

FIG. 5 is a right side elevational view thereof;

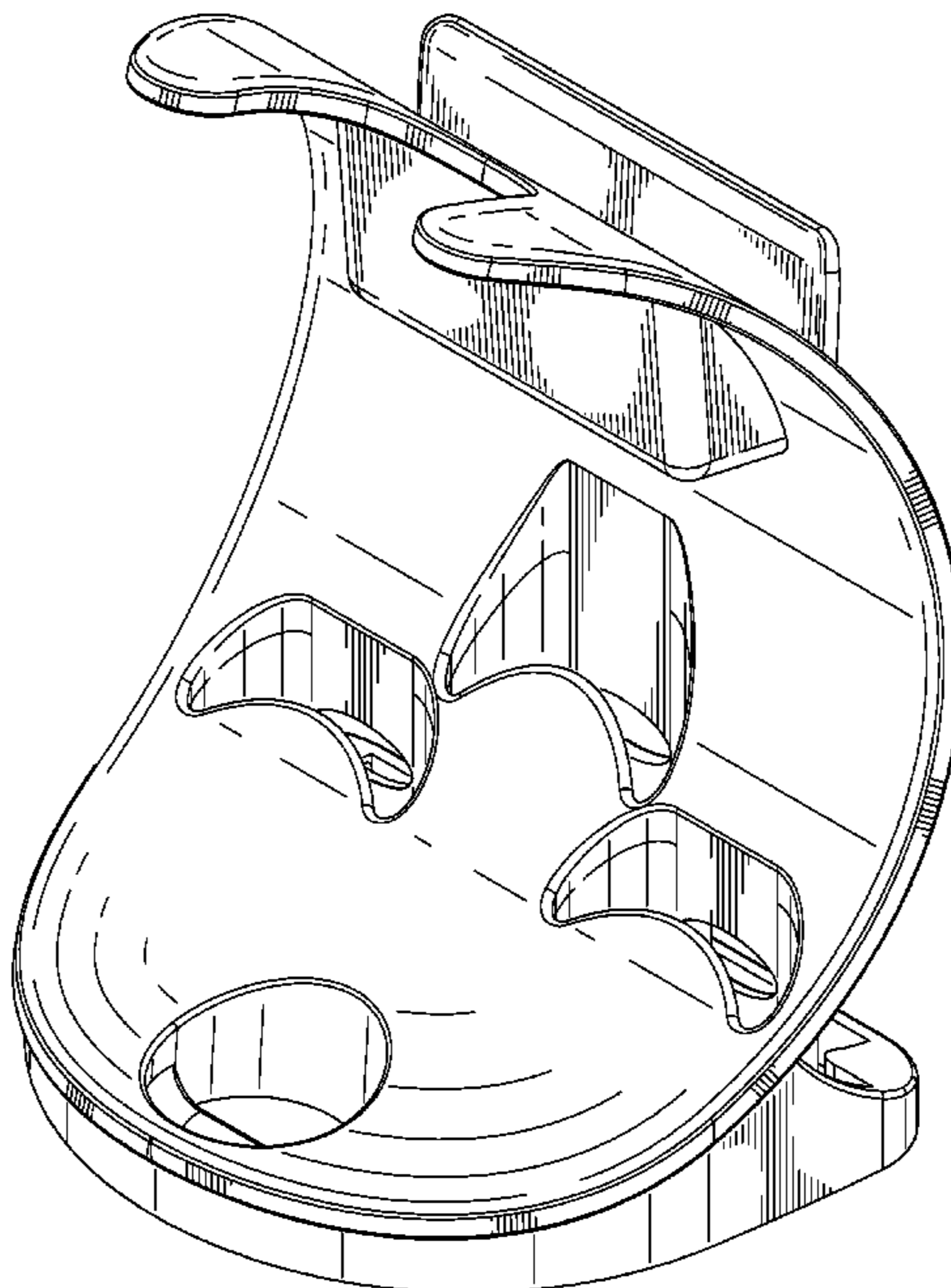
FIG. 6 is a top plan view thereof;

FIG. 7 is a bottom plan view thereof; and,

FIG. 8 is a perspective view as seen from the top, back, and left side of an organizer stand for combination shaving and trimming device showing our design.

The broken lines are shown for illustrative purposes only and form no part of the claimed design.

1 Claim, 7 Drawing Sheets



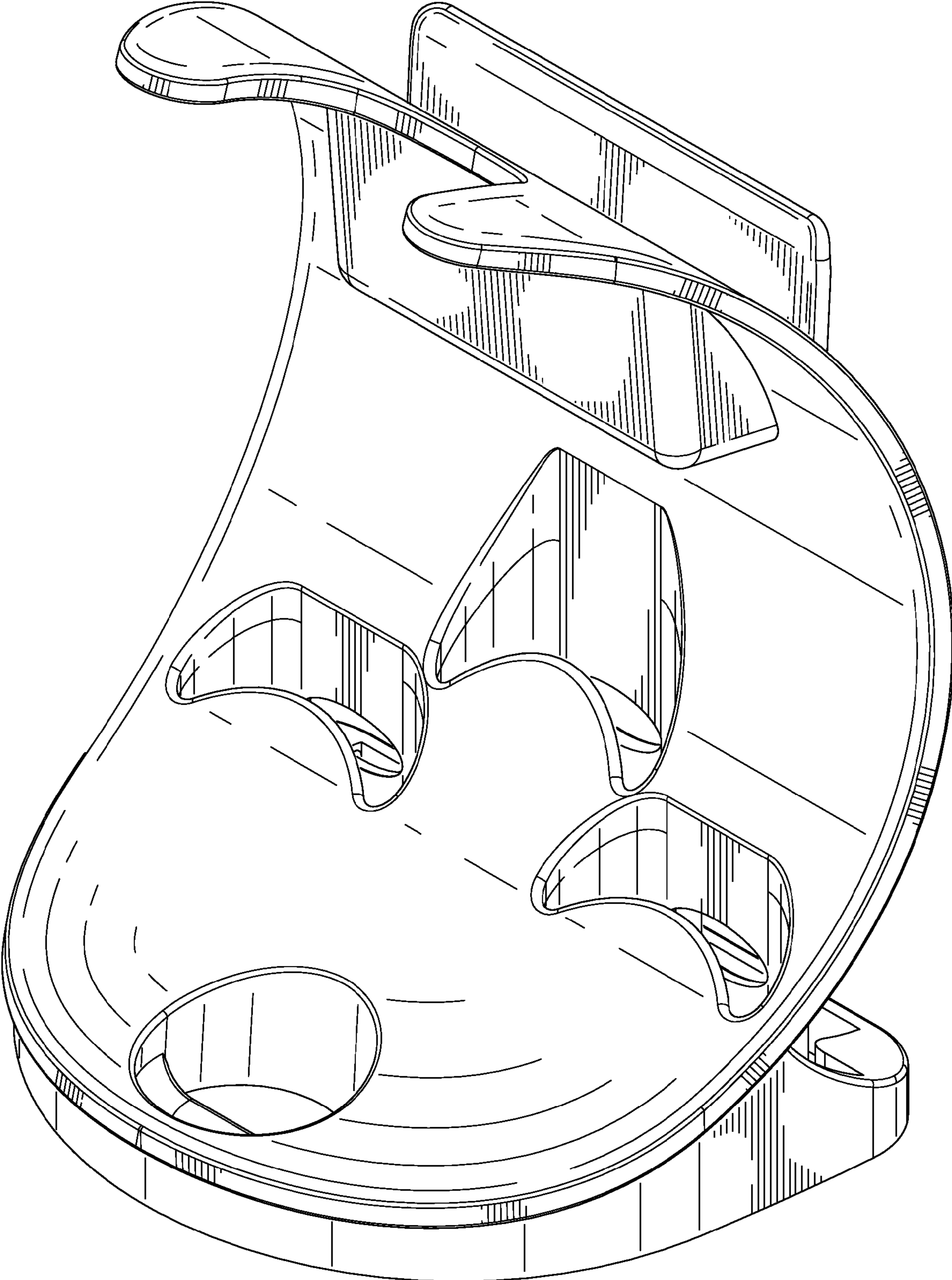


FIG. 1

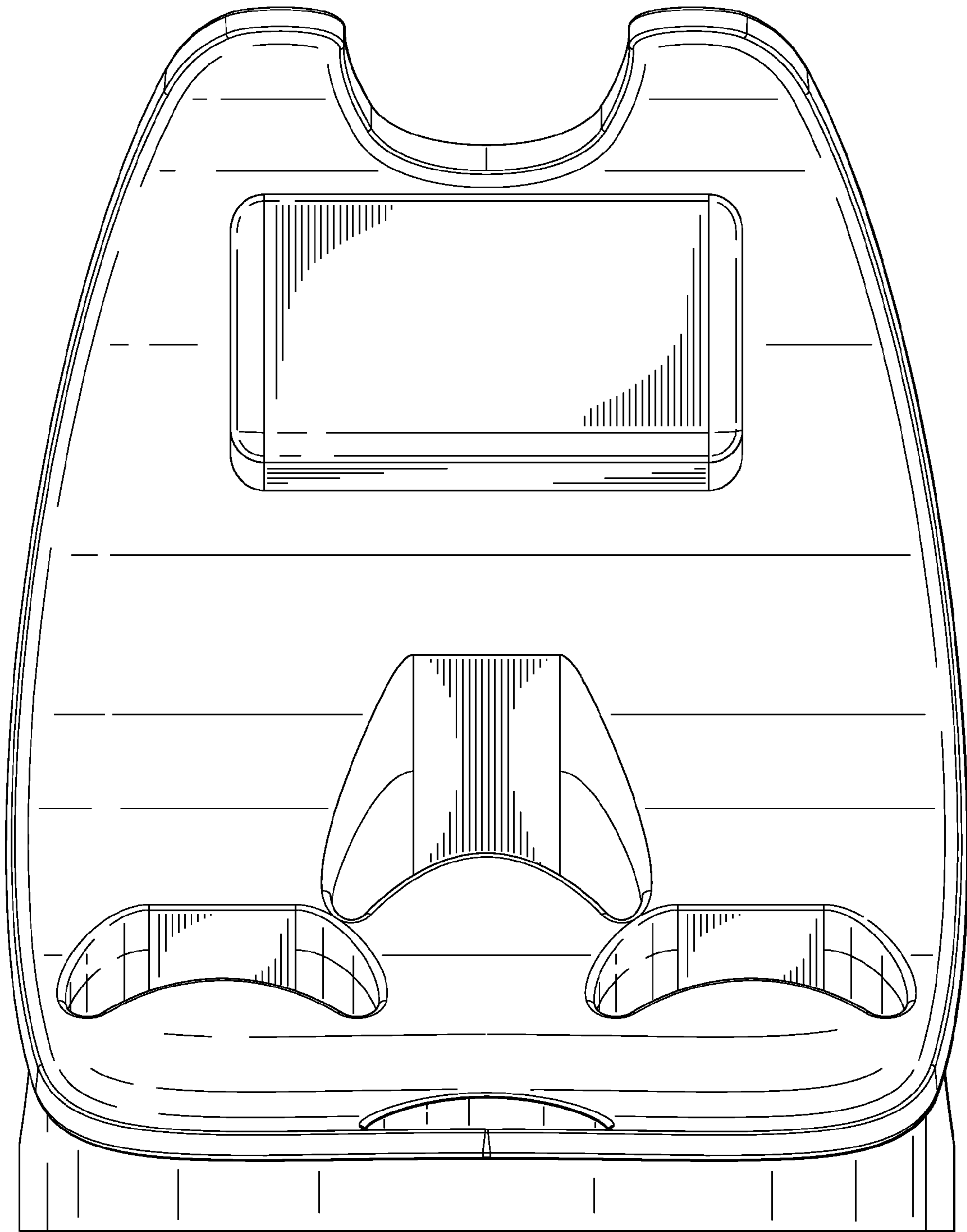


FIG. 2

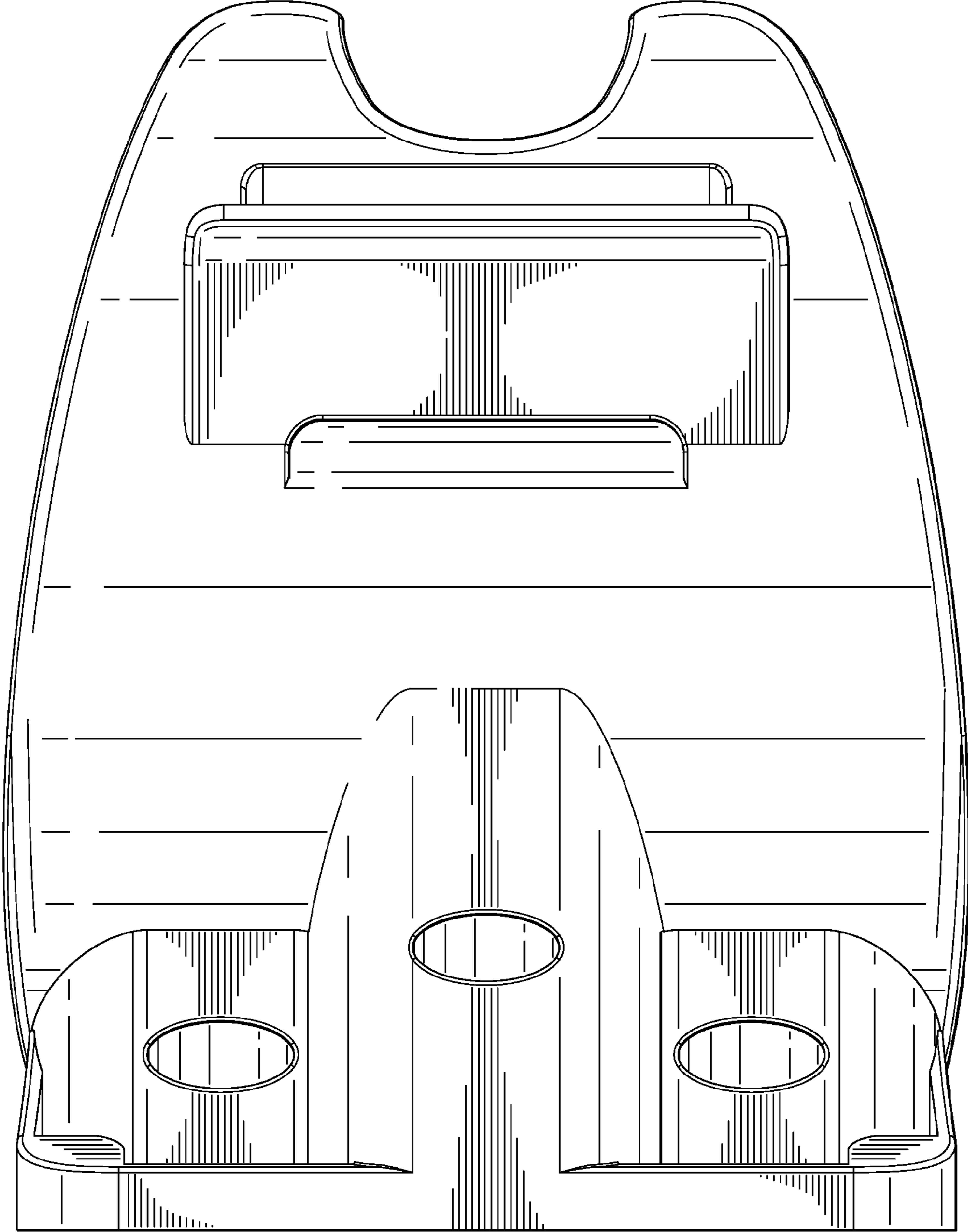


FIG. 3

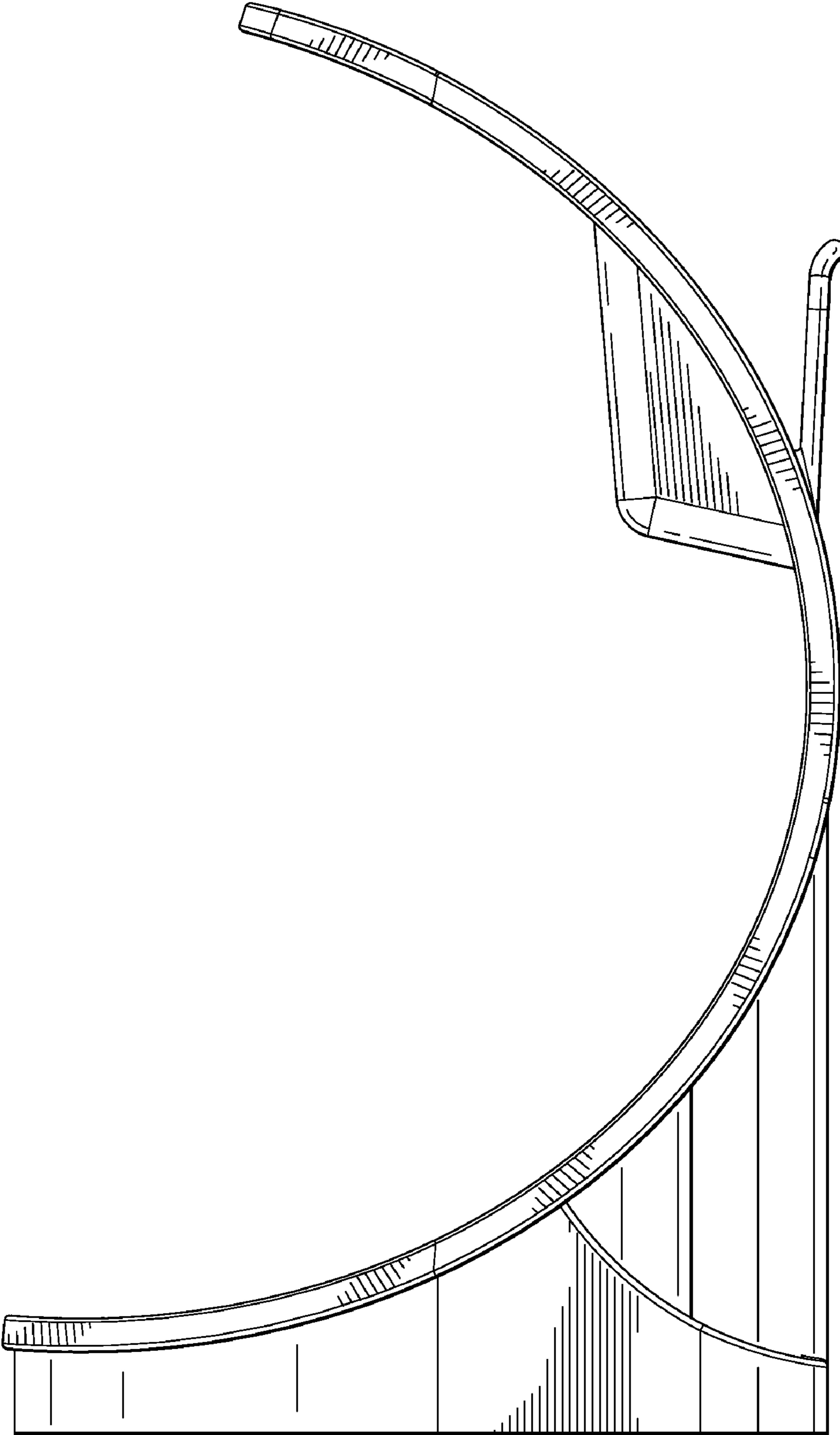


FIG. 4

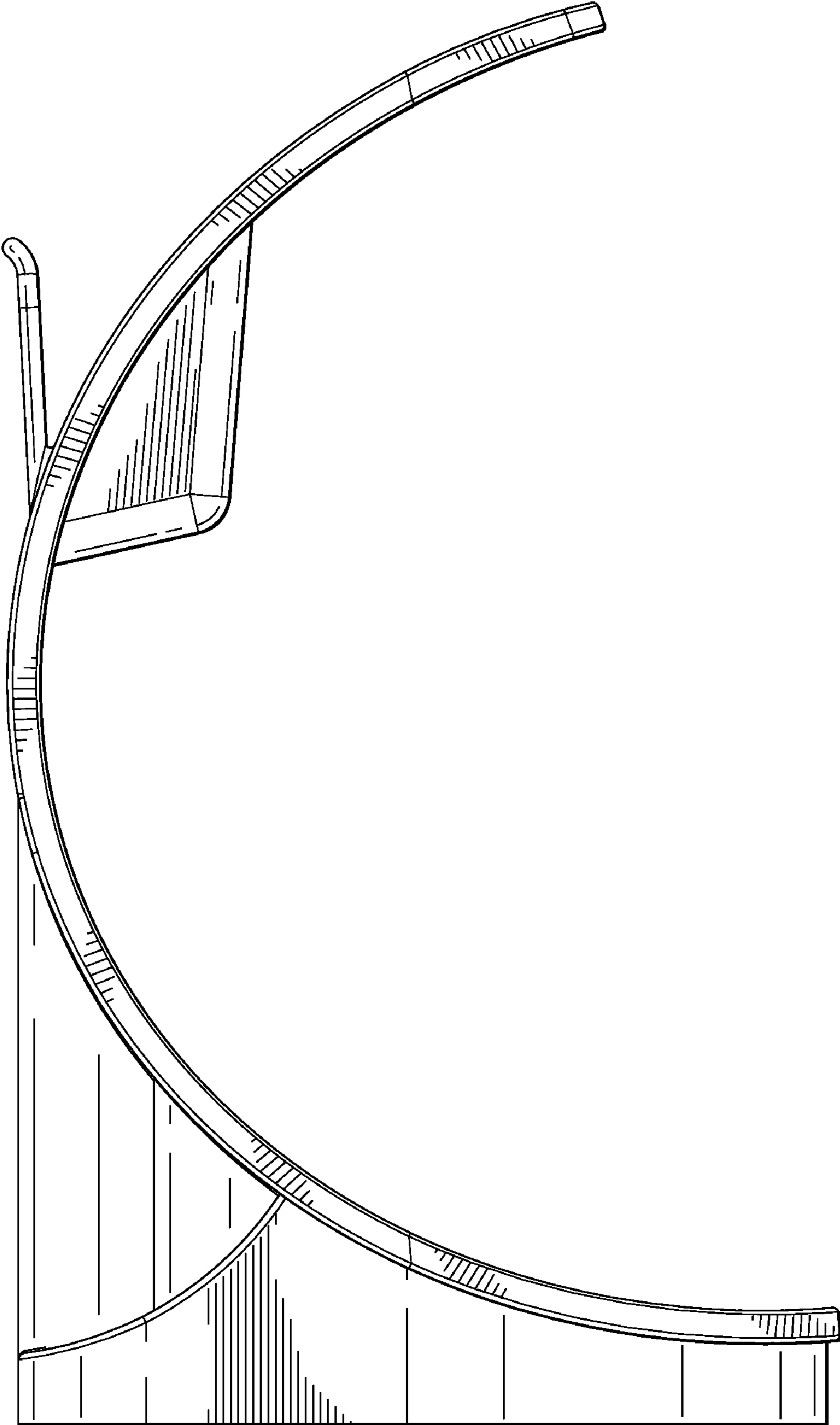


FIG. 5

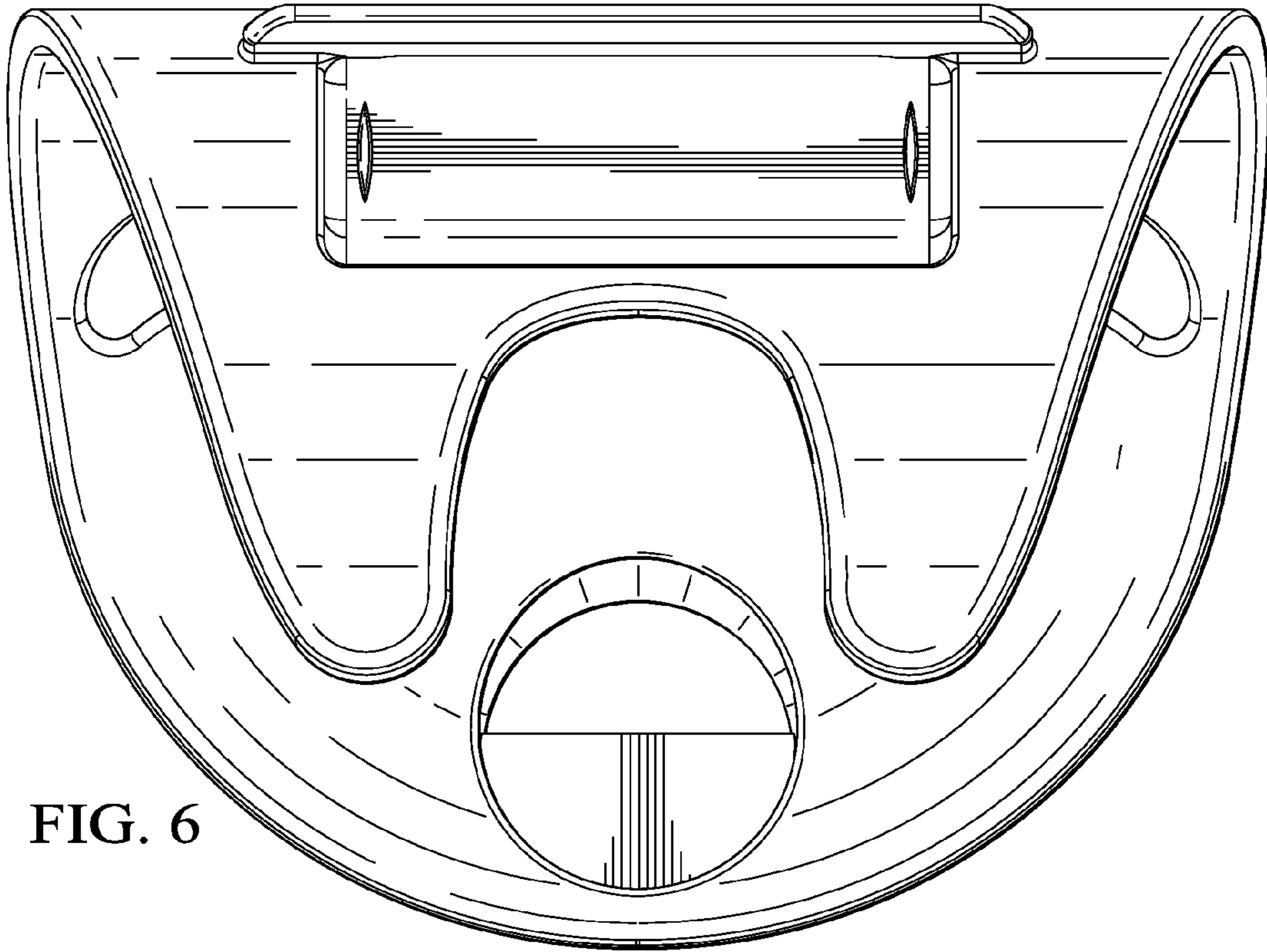


FIG. 6

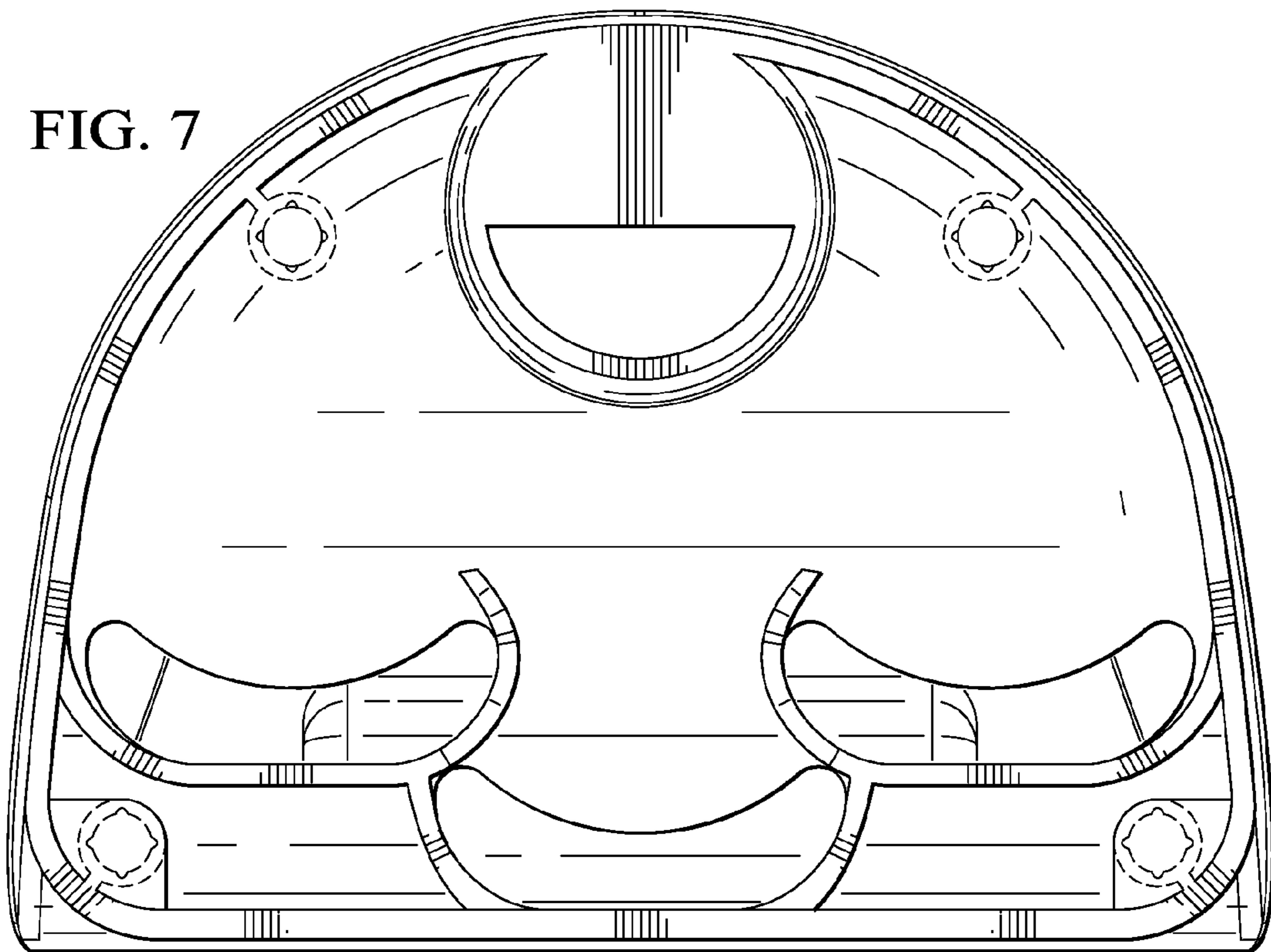


FIG. 7

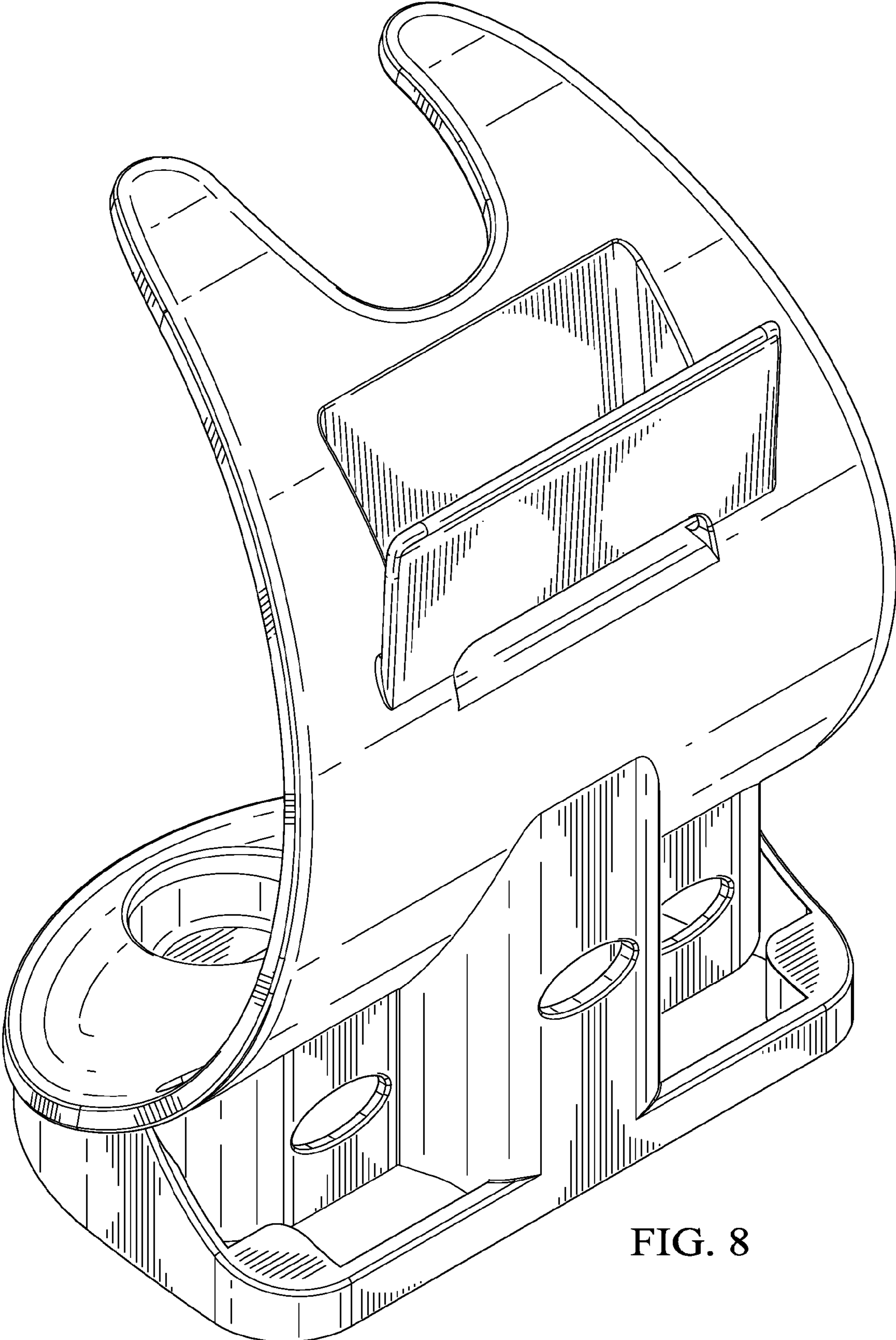


FIG. 8