



US00D621637S

(12) **United States Design Patent**  
**Meech et al.**

(10) **Patent No.:** **US D621,637 S**  
(45) **Date of Patent:** **\*\* Aug. 17, 2010**

(54) **ORGANIZER STAND FOR COMBINATION SHAVING AND TRIMMING DEVICE**

(75) Inventors: **James Arthur Meech**, Sharon, MA (US); **Ionut Cirstea**, Blauvelt, NY (US)

(73) Assignee: **The Gillette Company**, Boston, MA (US)

(\*\*) Term: **14 Years**

(21) Appl. No.: **29/346,242**

(22) Filed: **Oct. 29, 2009**

(51) **LOC (9) Cl.** ..... **06-04**

(52) **U.S. Cl.** ..... **D6/467; D28/73**

(58) **Field of Classification Search** ..... D6/466, D6/455, 468, 467, 396, 449, 474, 475, 495; D28/73, 48, 51, 53, 44, 44.1; D19/86, 90, D19/92, 95; 248/114, 116, 176.1, 127; 30/201, 30/210, 233, 233.5, 43-43.92, 44, 45; 211/13.1; D24/215

See application file for complete search history.

(56) **References Cited**

**U.S. PATENT DOCUMENTS**

D209,359 S *	11/1967	Schuler	.....	D6/466
D366,974 S *	2/1996	Nitlich	.....	D6/468
D435,938 S *	1/2001	Bushman	.....	D28/73
D445,275 S *	7/2001	Tringali	.....	D6/396
D447,360 S *	9/2001	Schwarzli	.....	D6/449
D454,265 S *	3/2002	Lillelund et al.	.....	D6/475
D486,673 S *	2/2004	Hessell	.....	D6/474
D487,167 S *	2/2004	Shaw	.....	D28/48
D502,338 S *	3/2005	Zanghi et al.	.....	D6/466

D506,331 S *	6/2005	Quintal	.....	D6/495
D515,741 S *	2/2006	Shaw	.....	D28/48
D519,244 S *	4/2006	Butcher	.....	D28/51
D535,787 S *	1/2007	Lin	.....	D28/53
D601,709 S *	10/2009	Roberts	.....	D24/215

\* cited by examiner

*Primary Examiner*—Philip S Hyder

*Assistant Examiner*—Sydney R Buffalow

(74) *Attorney, Agent, or Firm*—Jay A. Krebs

(57) **CLAIM**

The ornamental design for an organizer stand for combination shaving and trimming device, as shown and described.

**DESCRIPTION**

FIG. 1 is a perspective view as seen from the top, front, and left side of an organizer stand for combination shaving and trimming device showing our design;

FIG. 2 is a front elevational view thereof;

FIG. 3 is a rear elevational view thereof;

FIG. 4 is a left side elevational view thereof;

FIG. 5 is a right side elevational view thereof;

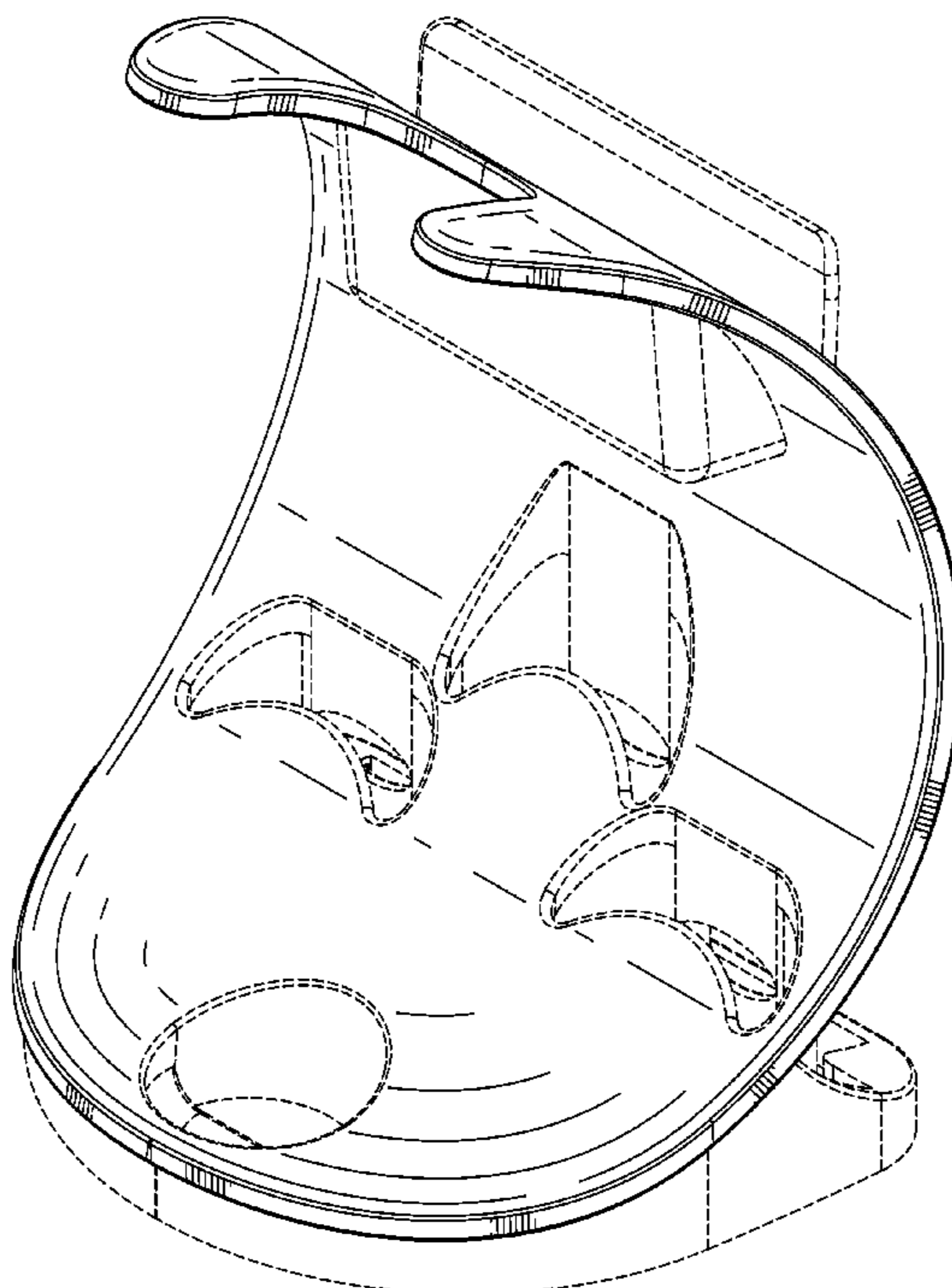
FIG. 6 is a top plan view thereof;

FIG. 7 is a bottom plan view thereof; and,

FIG. 8 is a perspective view as seen from the top, back, and left side of an organizer stand for combination shaving and trimming device showing our design.

The broken lines are shown for illustrative purposes only and form no part of the claimed design.

**1 Claim, 7 Drawing Sheets**



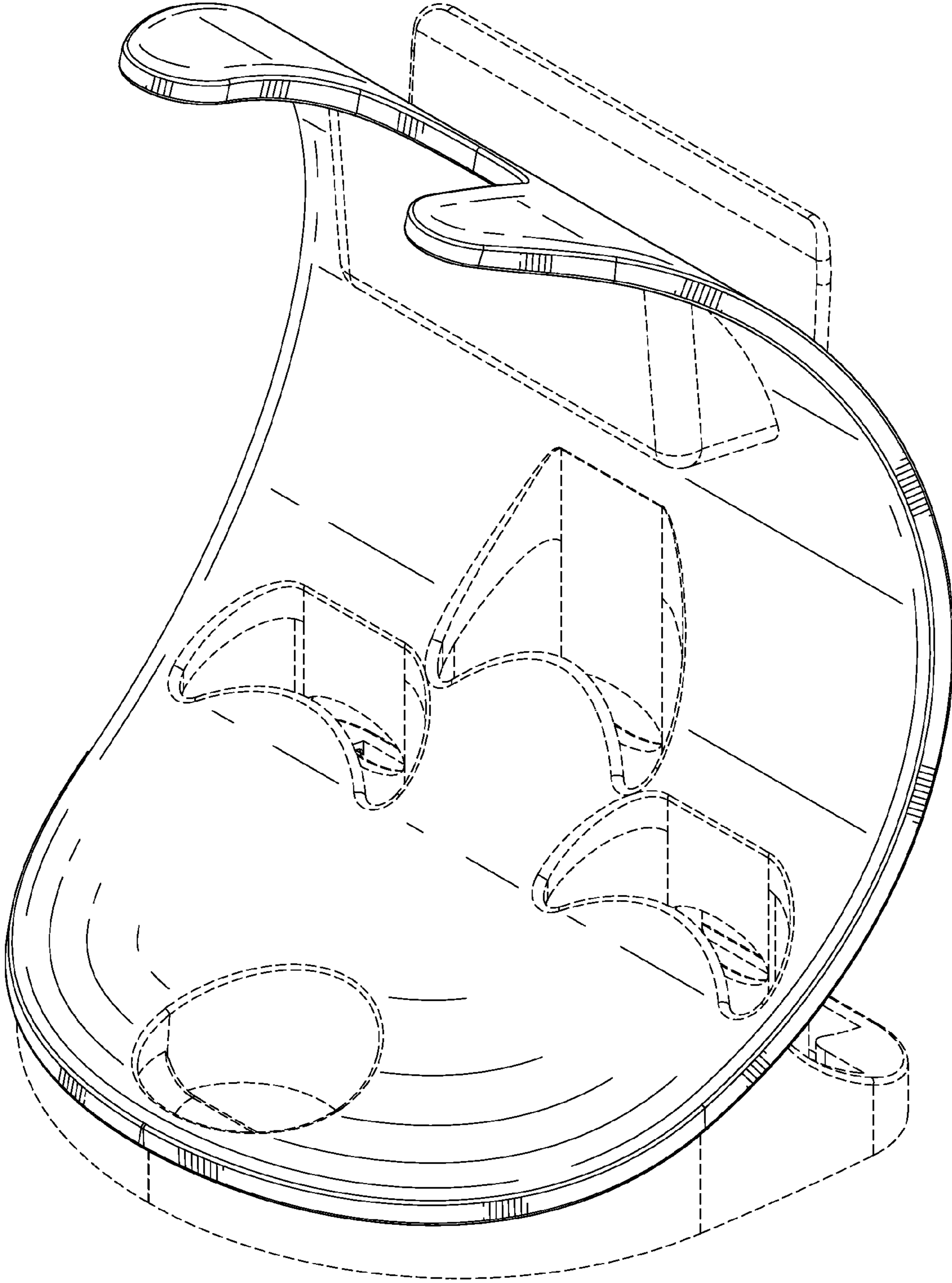


FIG. 1

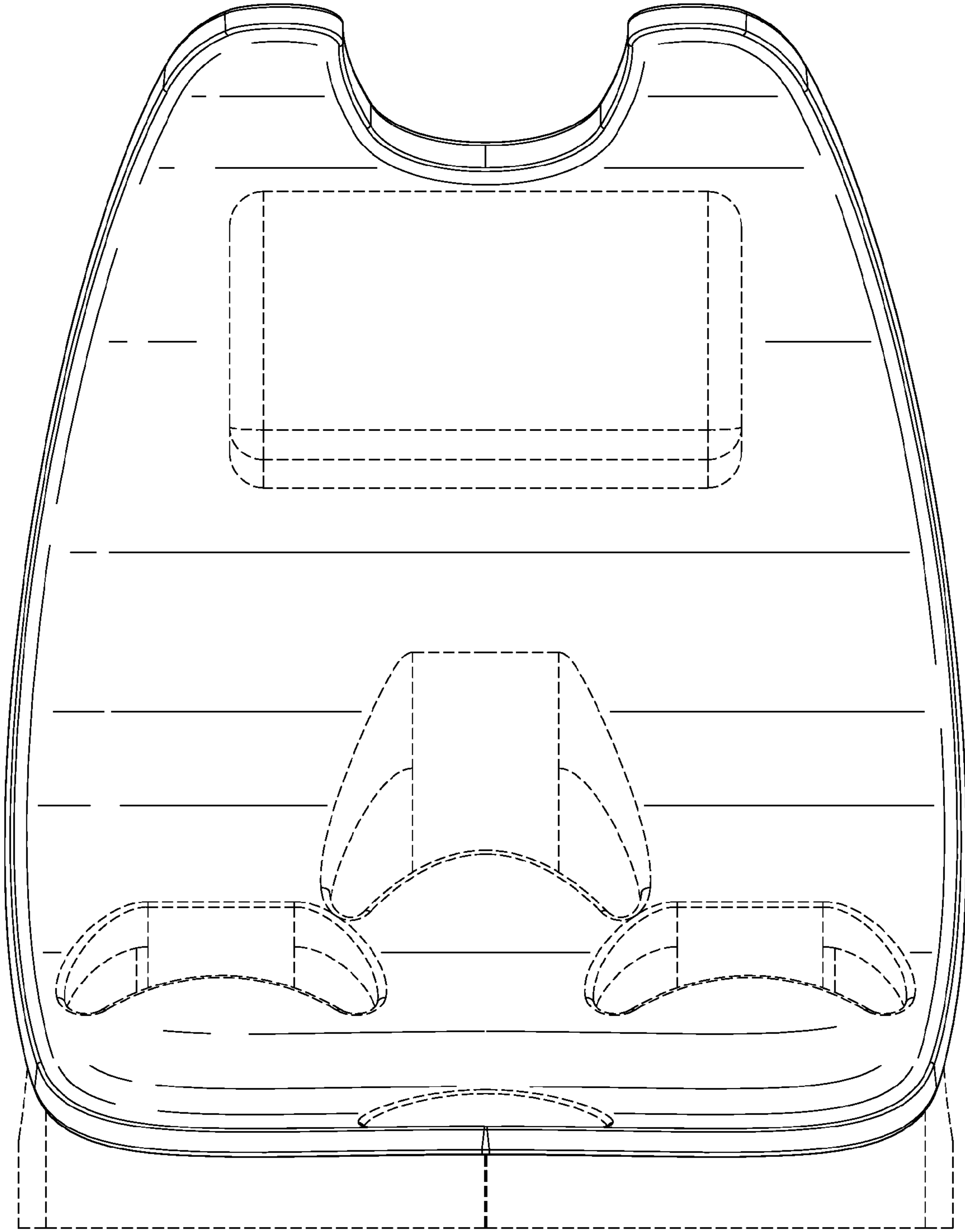


FIG. 2

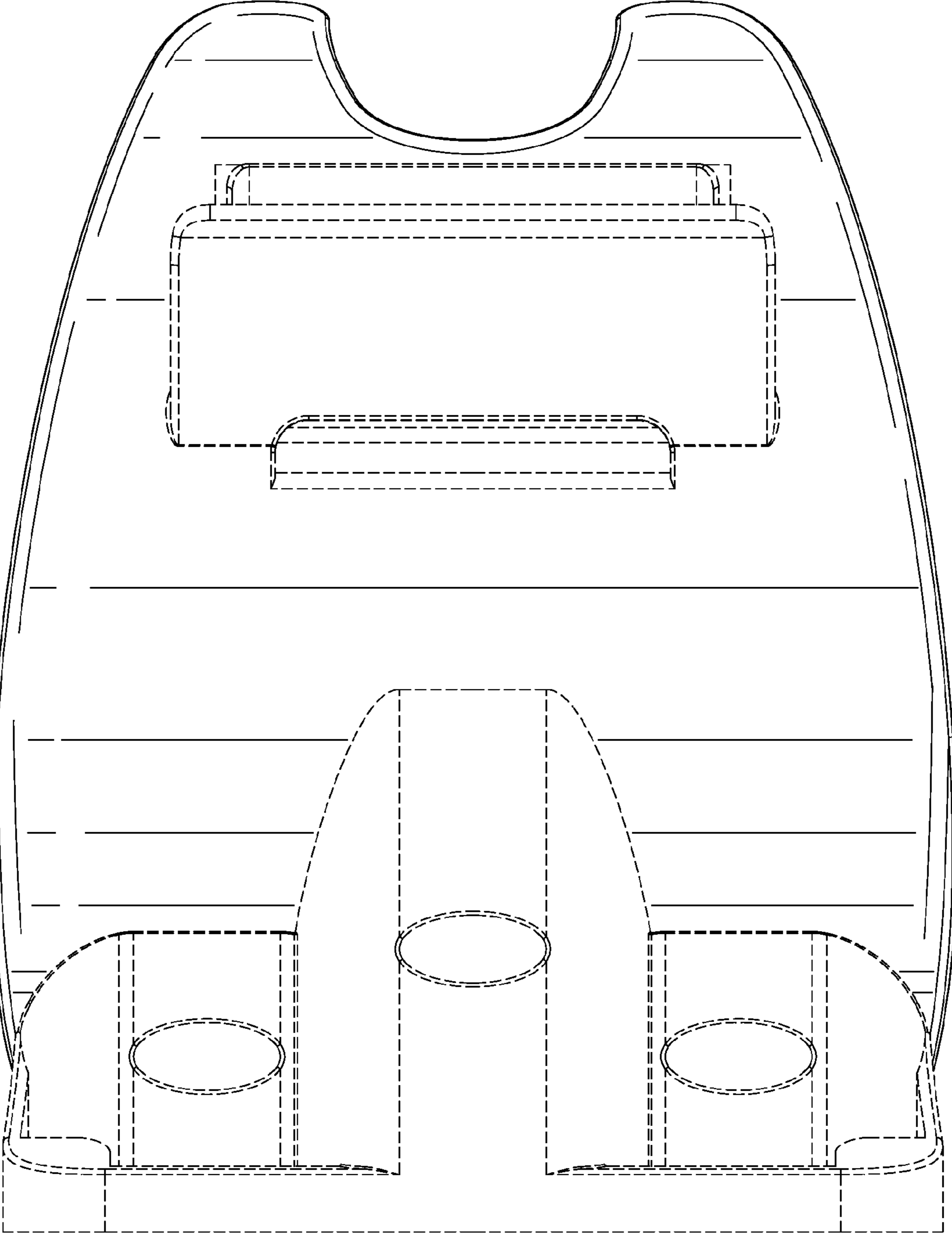


FIG. 3

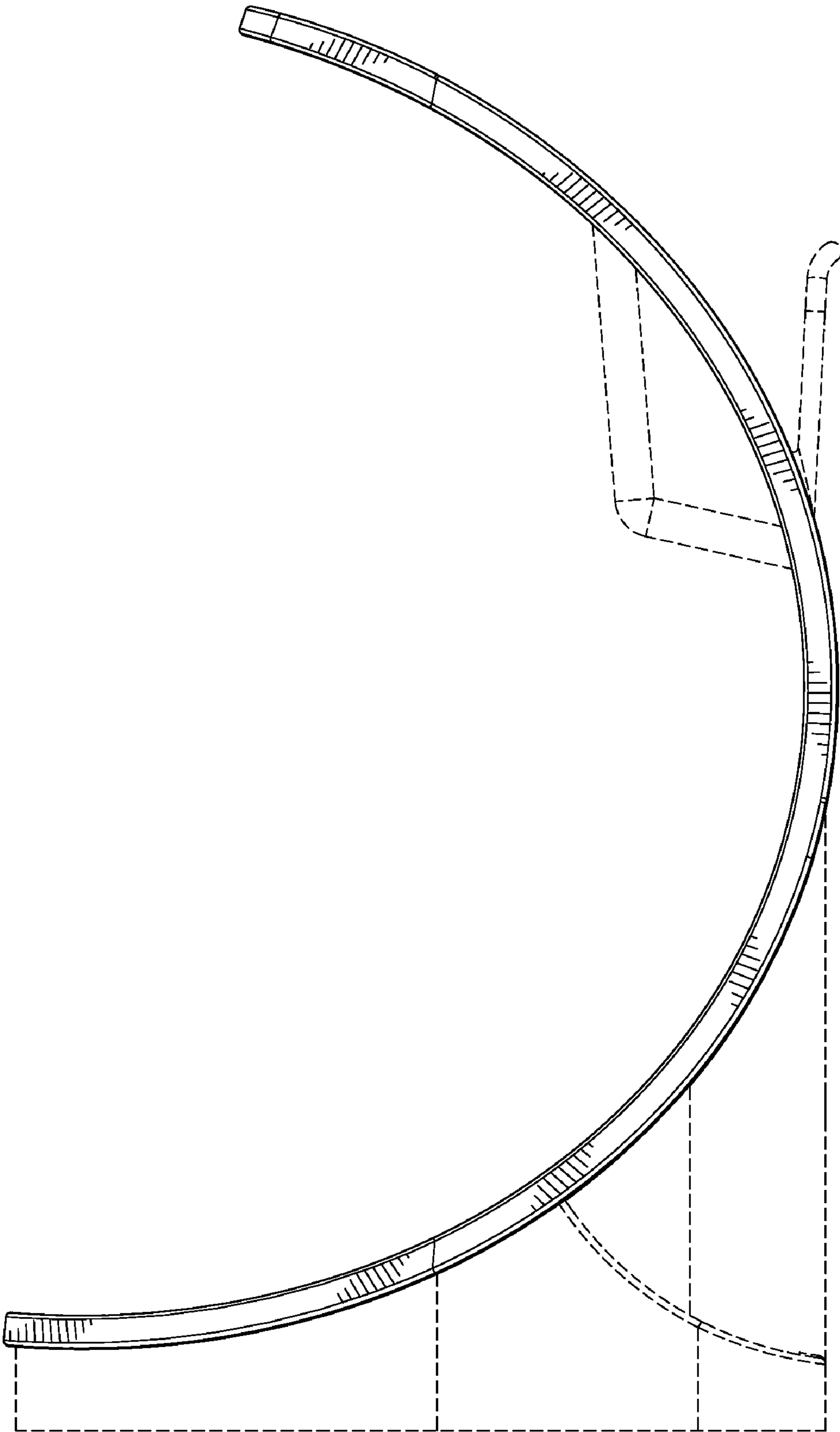


FIG. 4

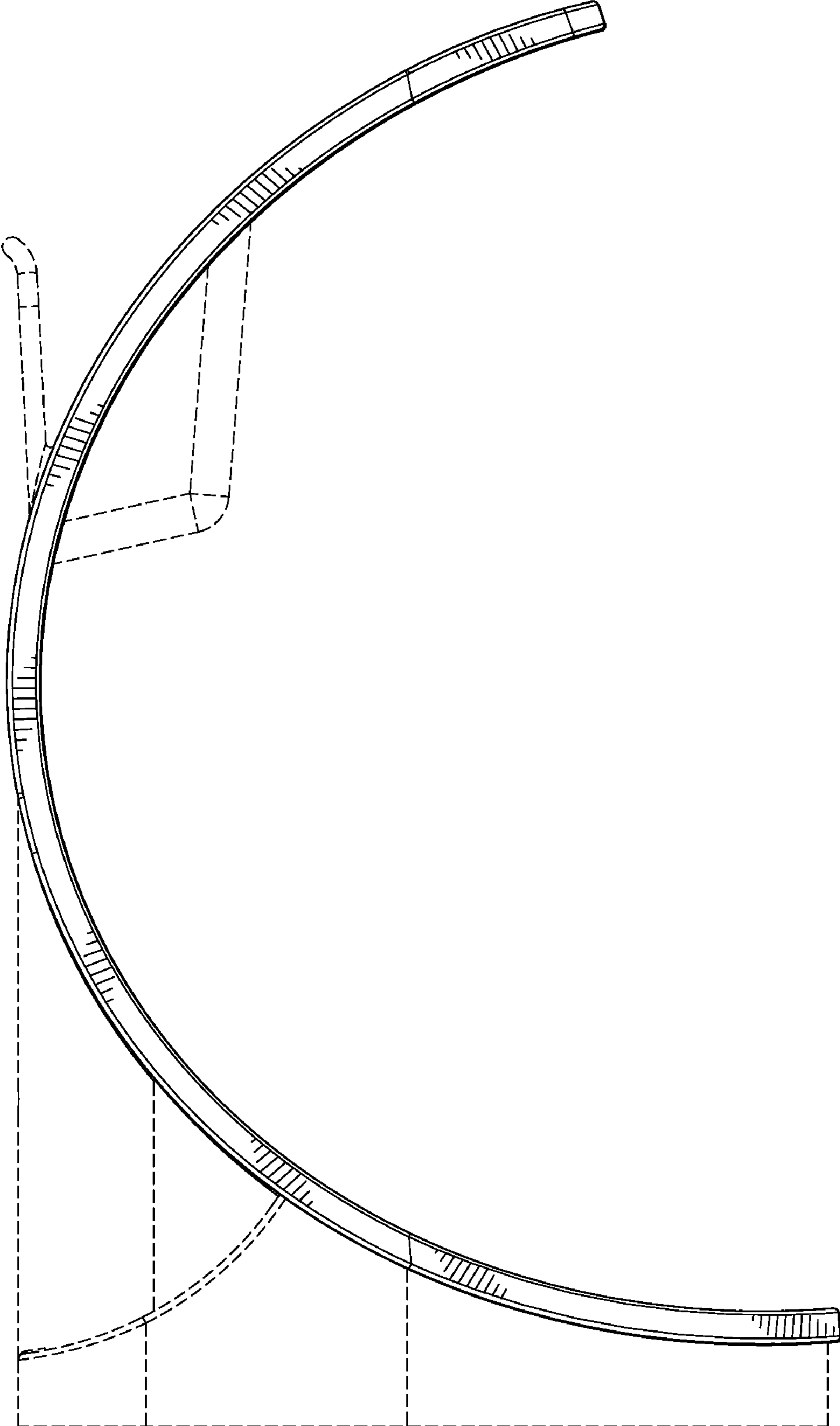


FIG. 5

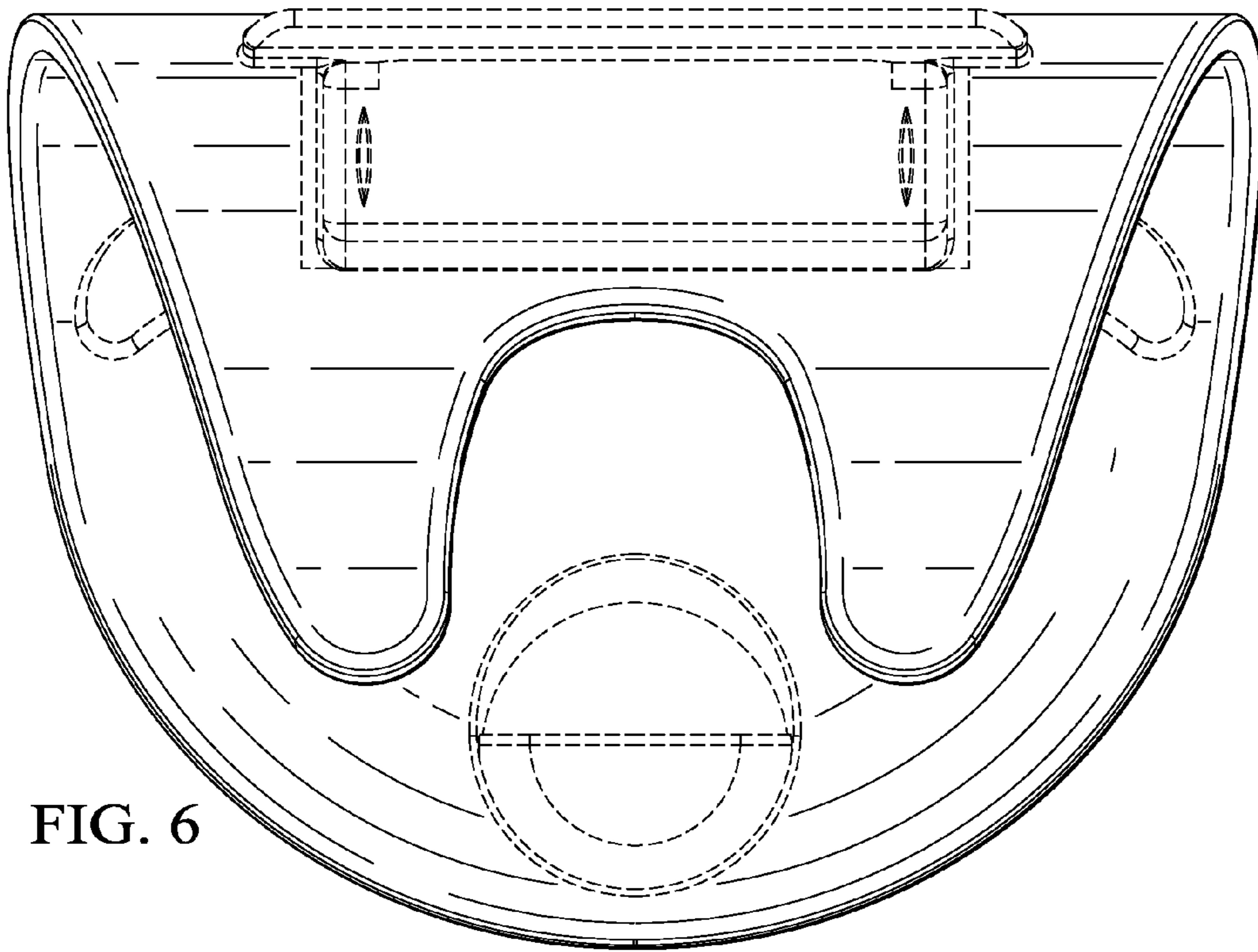


FIG. 6

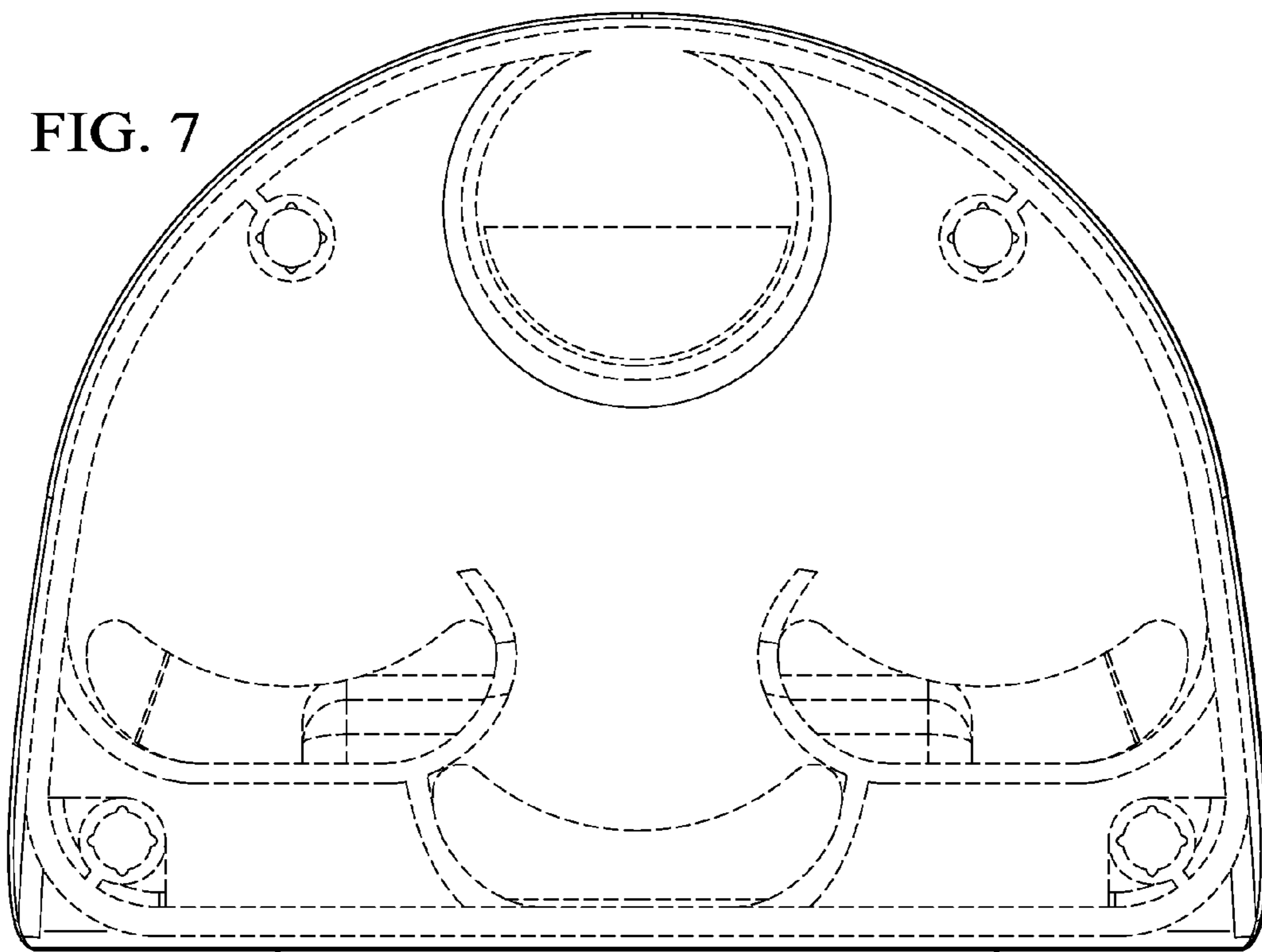


FIG. 7

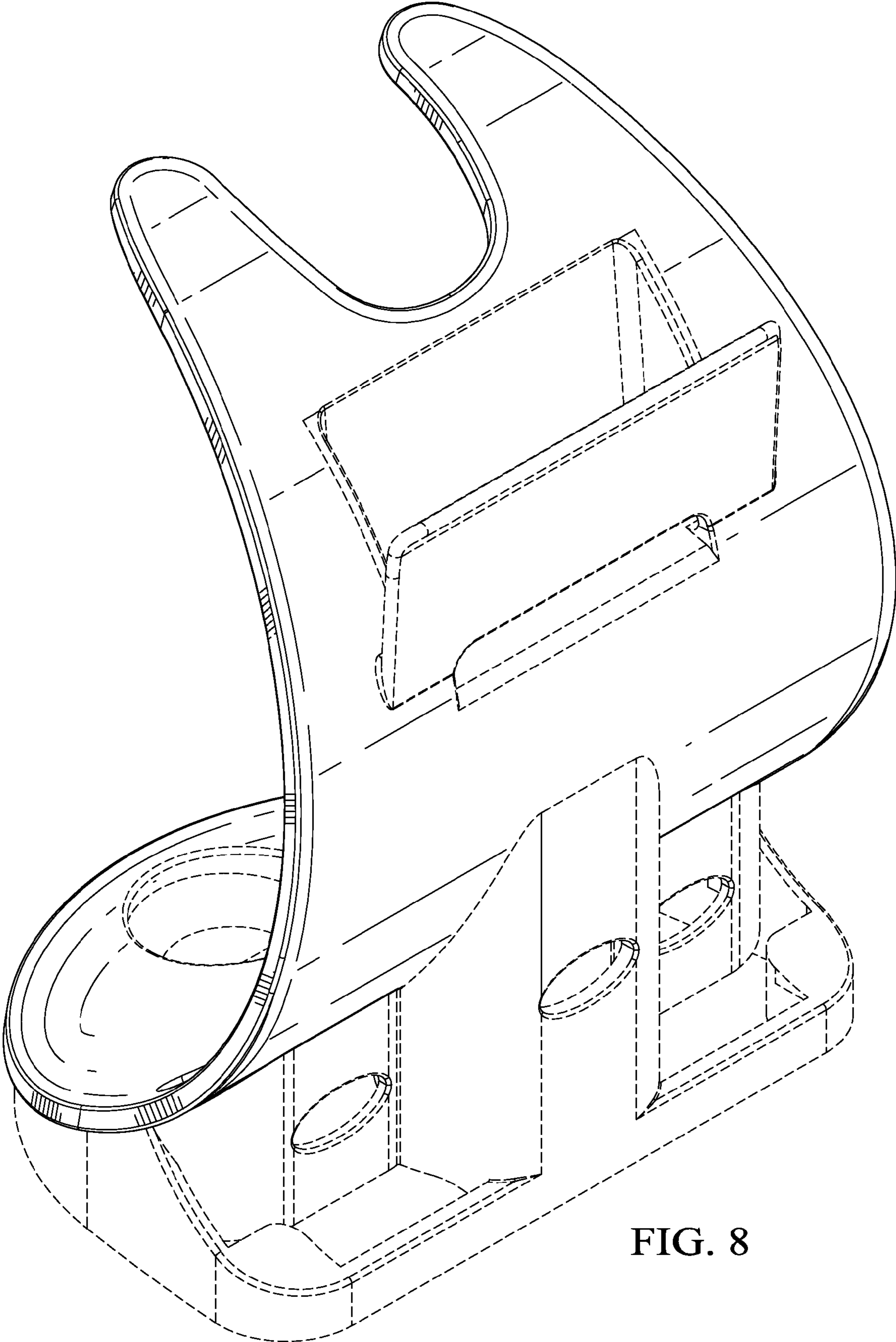


FIG. 8