

US00D621636S

(12) **United States Design Patent**
Hsu

(10) **Patent No.:** **US D621,636 S**

(45) **Date of Patent:** **** Aug. 17, 2010**

(54) **DISPLAY CASE**

2007/0251898 A1* 11/2007 Aarts 211/57.1

* cited by examiner

(76) Inventor: **Wen Yi Hsu**, 2080 S. Haven Ave.,
Ontario, CA (US) 91761

Primary Examiner—Mary Ann Calabrese

(**) Term: **14 Years**

(74) *Attorney, Agent, or Firm*—Eric Hanscom; Todd
Langford

(21) Appl. No.: **29/355,798**

(57) **CLAIM**

(22) Filed: **Feb. 13, 2010**

The ornamental design for a display case, as shown and
described.

(51) **LOC (9) Cl.** **06-04**

(52) **U.S. Cl.** **D6/465**

(58) **Field of Classification Search** D6/411,
D6/449, 457–462, 465–467, 509, 553, 571;
211/13.1, 27, 40, 54.1, 59.1, 71.1, 105.3,
211/125, 57.1; 40/124, 124.4, 536, 539,
40/540; 248/69, 214

See application file for complete search history.

DESCRIPTION

FIG. 1 is a perspective exploded view of a display case show-
ing my new design;

FIG. 2 is a front view thereof;

FIG. 3 is a back view thereof;

FIG. 4 is a left-side view thereof;

FIG. 5 is a right-side view thereof;

FIG. 6 is a top view thereof; and,

FIG. 7 is a bottom view thereof.

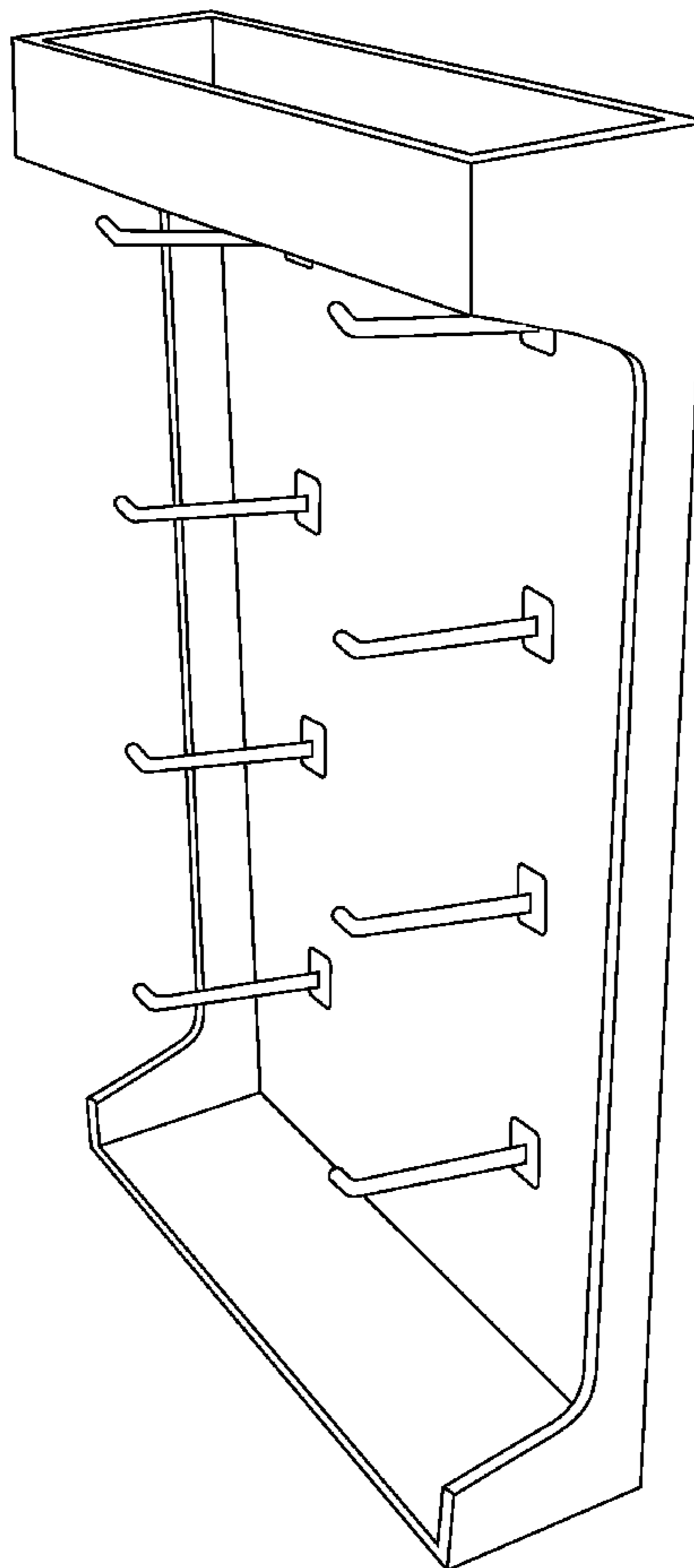
In the drawings, the broken lines represent portions of the
display case that form no part of the claimed design.

(56) **References Cited**

U.S. PATENT DOCUMENTS

D221,236 S *	7/1971	Fowler	D6/571
D256,195 S *	8/1980	Scalice	D6/465
D259,685 S *	6/1981	Scalice	D6/465
D417,801 S *	12/1999	Robert	D6/449
D607,668 S *	1/2010	Eloy-Sanchez	D6/466

1 Claim, 7 Drawing Sheets



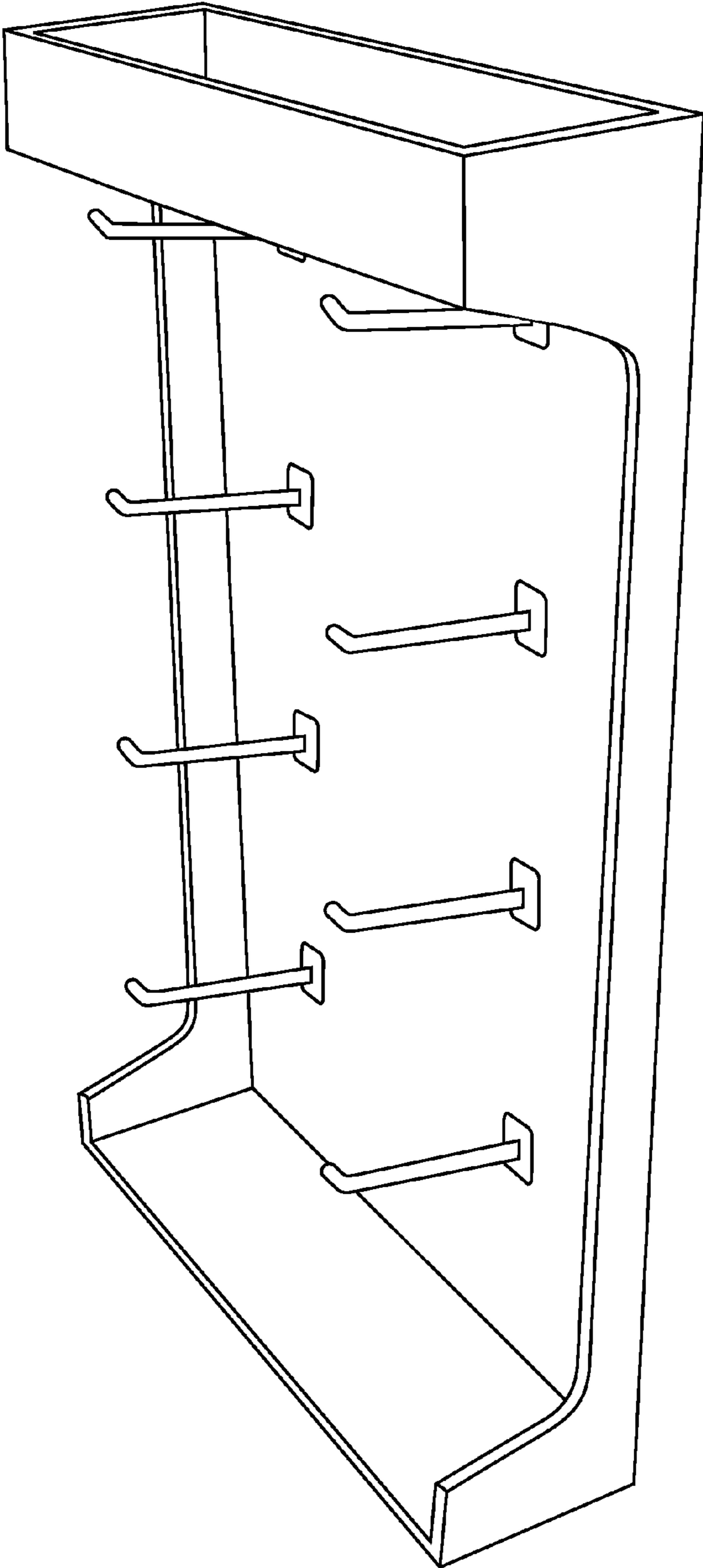


FIG. 1

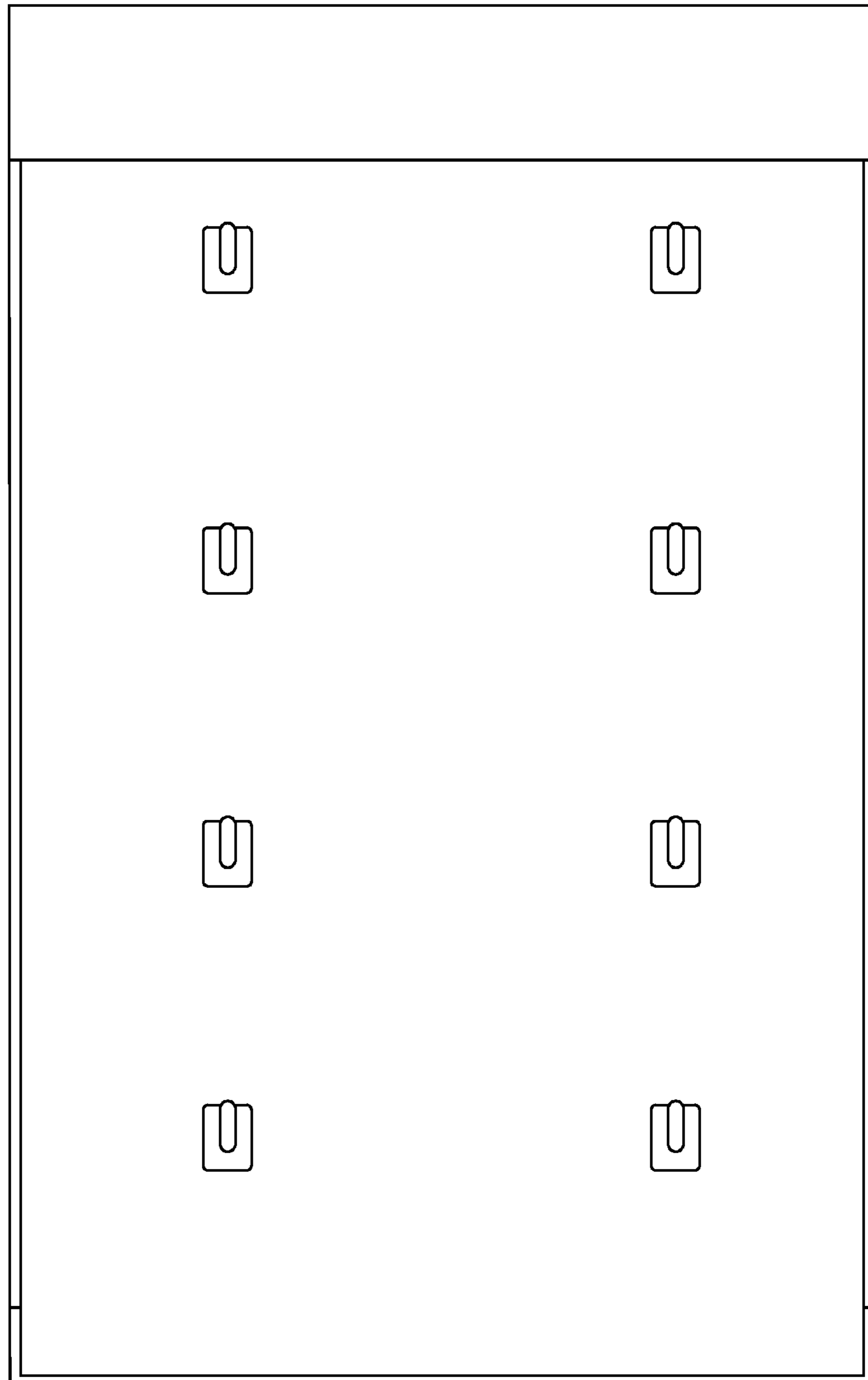


FIG. 2

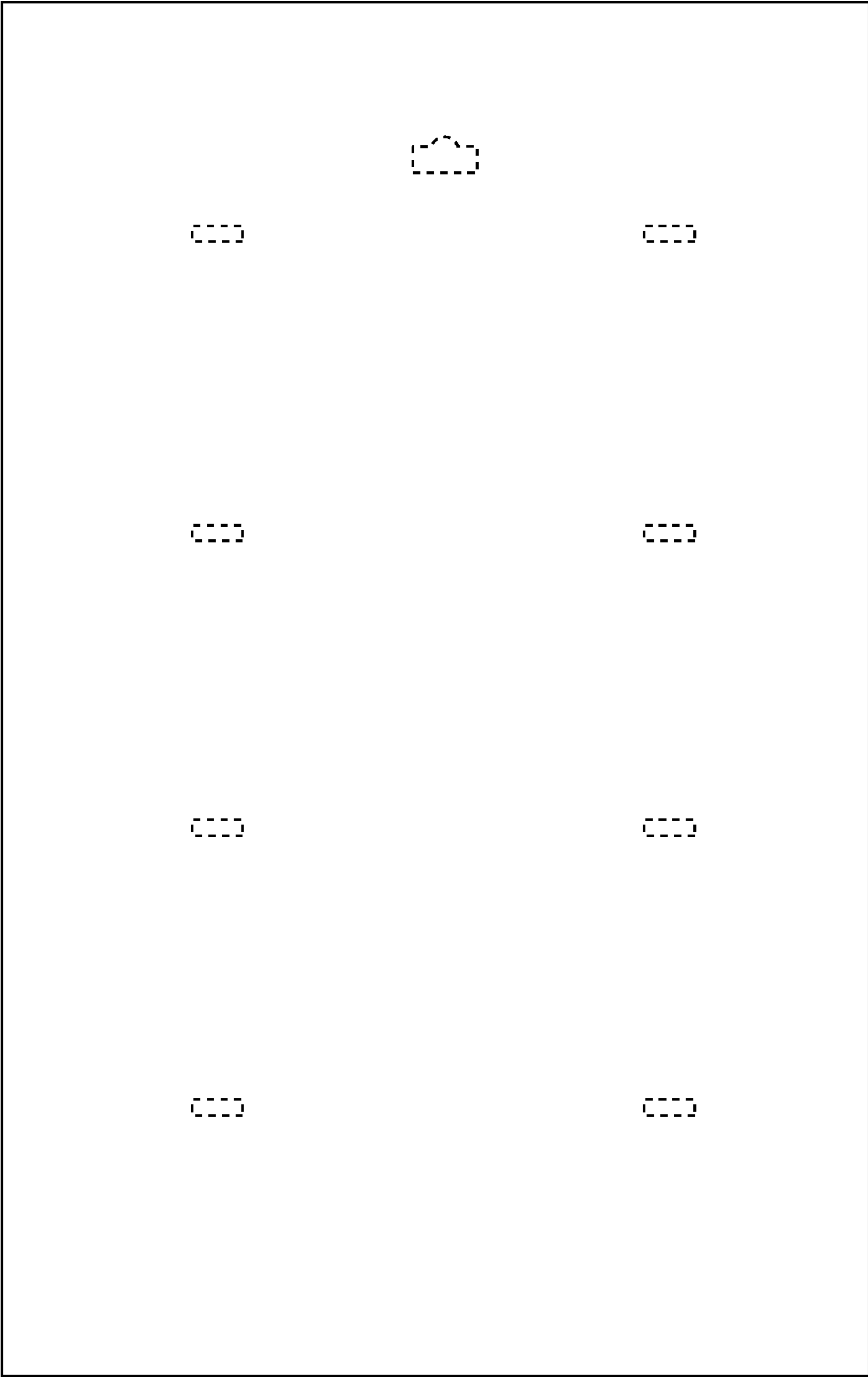


FIG. 3

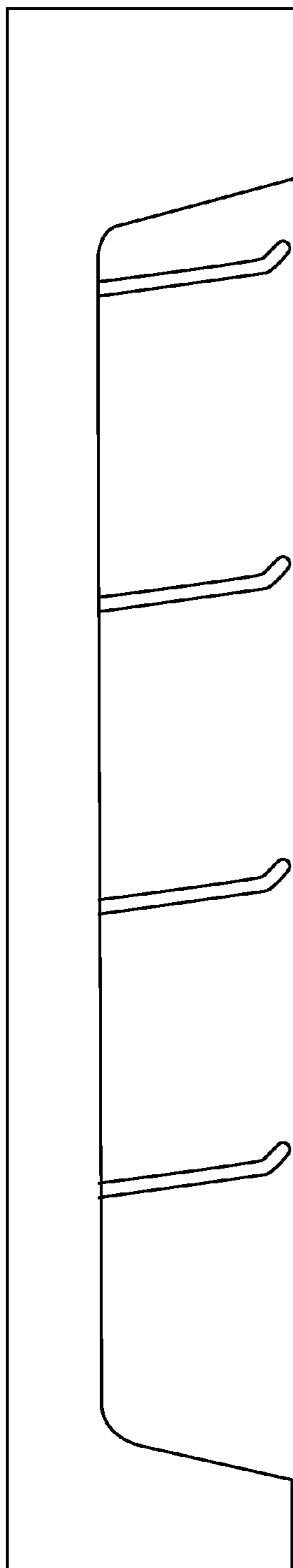


FIG. 4

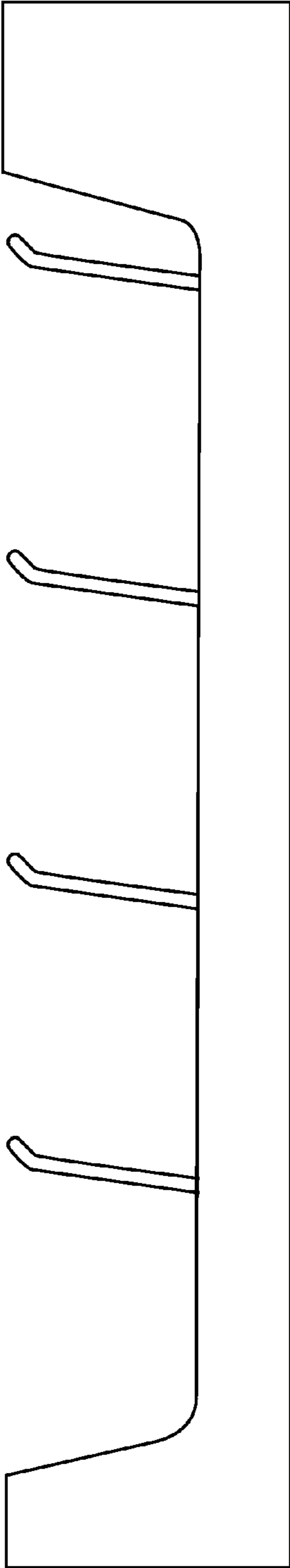


FIG. 5

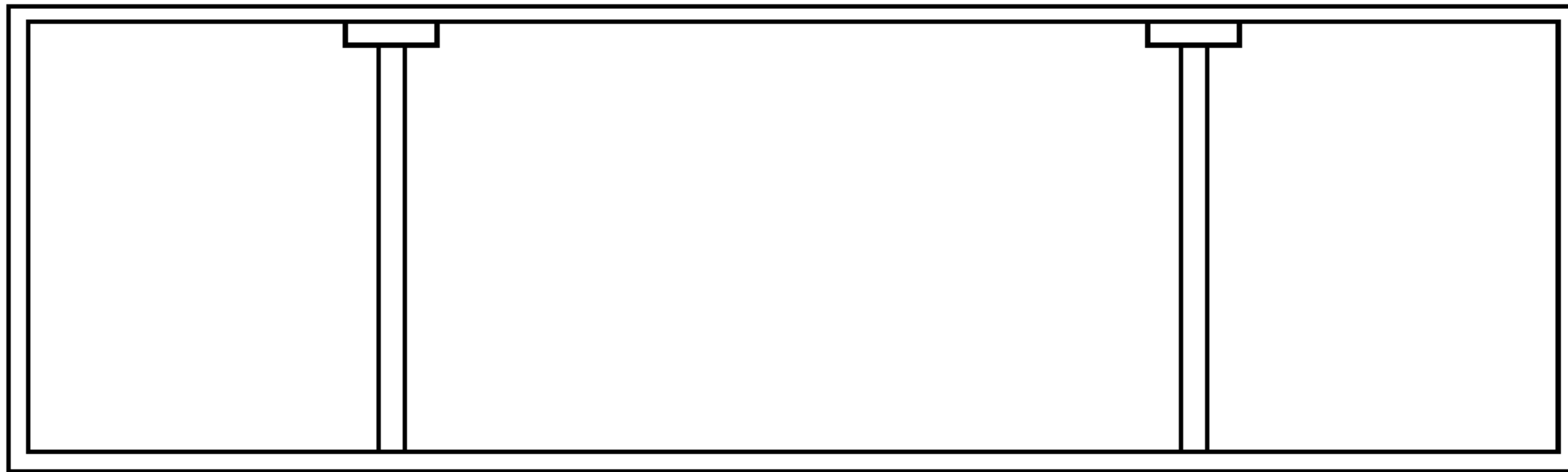


FIG. 6

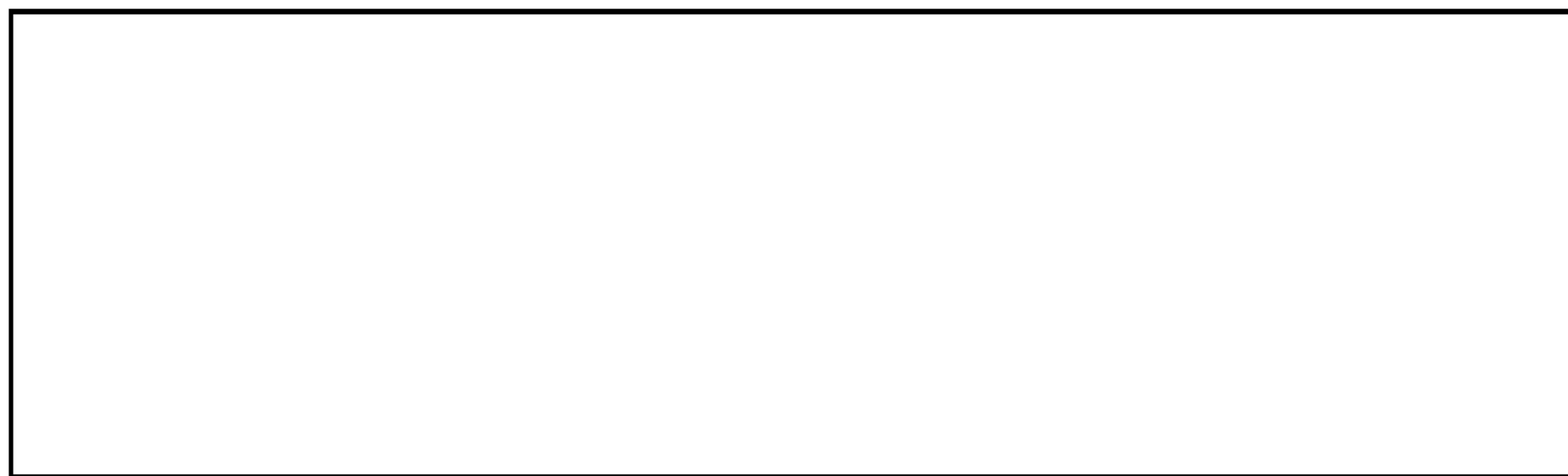


FIG. 7