



US00D621630S

(12) **United States Design Patent**  
**Curtis**

(10) **Patent No.:** **US D621,630 S**

(45) **Date of Patent:** **\*\* Aug. 17, 2010**

(54) **FOOT REST**

(76) **Inventor:** **Barry James Curtis**, P.O. Box 474,  
Amesbury, MA (US) 01913

(\*\*) **Term:** **14 Years**

(21) **Appl. No.:** **29/316,349**

(22) **Filed:** **Sep. 16, 2009**

(51) **LOC (9) Cl.** ..... **06-01**

(52) **U.S. Cl.** ..... **D6/351; D6/588; D6/597**

(58) **Field of Classification Search** ..... D6/349,  
D6/351, 588, 595-601, 604; D21/183, 225;  
D24/803, 809; 2/16; 5/417, 420, 630, 632,  
5/636, 652, 653, 653.9; 40/311; 215/12.2;  
297/219.1, 284.5, 423.1, 423.39, 423.41  
See application file for complete search history.

(56) **References Cited**

**U.S. PATENT DOCUMENTS**

4,883,187 A \* 11/1989 Knitzer ..... 215/12.2  
5,056,172 A \* 10/1991 Kaiser et al. .... 5/417

5,386,603 A \* 2/1995 Drust ..... 5/417  
D468,441 S \* 1/2003 Pham ..... D24/225  
D520,290 S \* 5/2006 Curtis ..... D6/588  
D585,202 S \* 1/2009 Curtis ..... D6/351

\* cited by examiner

*Primary Examiner*—Mary Ann Calabrese

(57) **CLAIM**

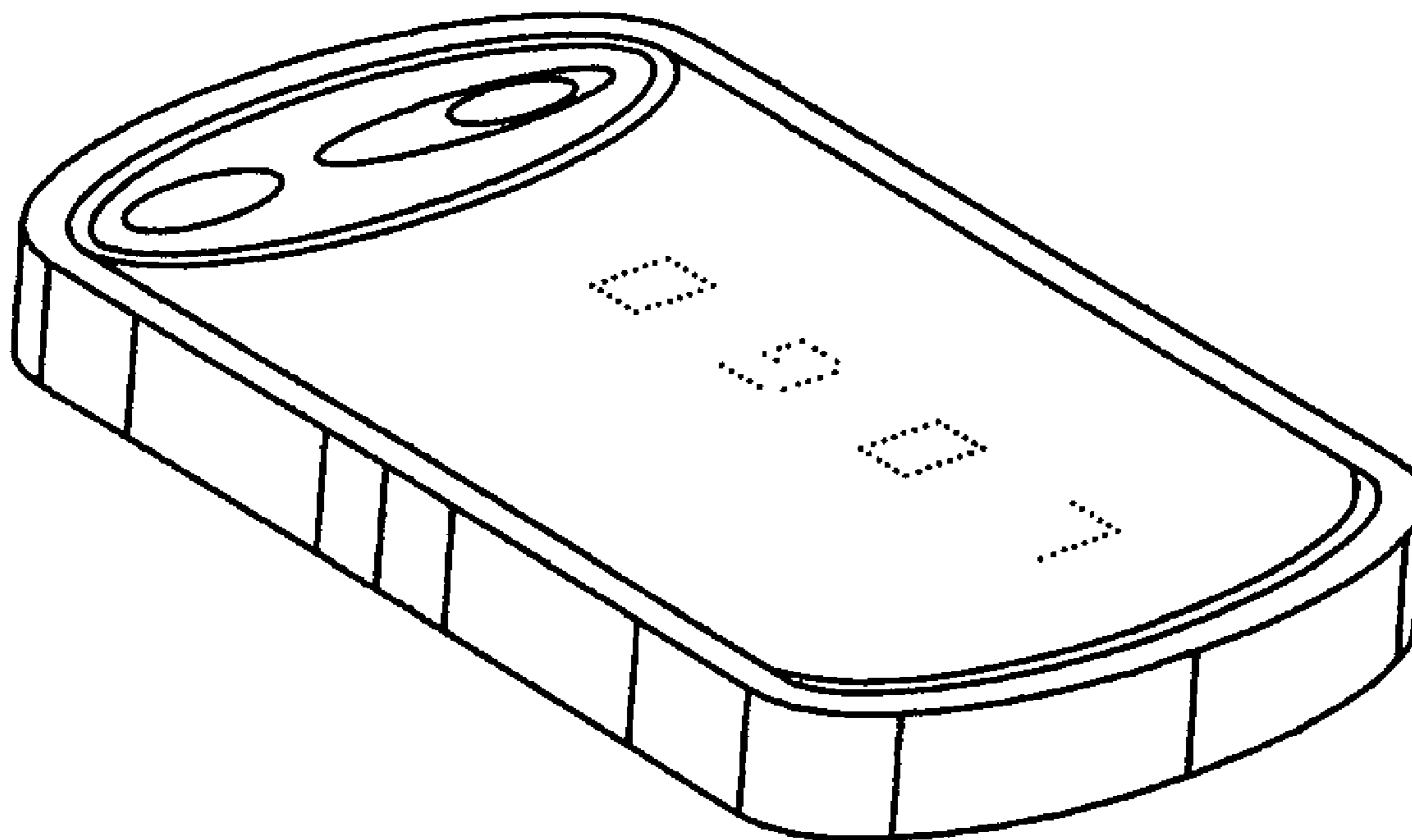
The ornamental design for a foot rest, as shown and described.

**DESCRIPTION**

FIG. 1 is a perspective view showing my new design;  
FIG. 2 is a plan view thereof;  
FIG. 3 is a side elevation view thereof;  
FIG. 4 is a bottom plan view thereof; and,  
FIG. 5 an end elevation view thereof.

In the drawings, the broken lines illustrate environment and form no part of the claimed design.

**1 Claim, 1 Drawing Sheet**



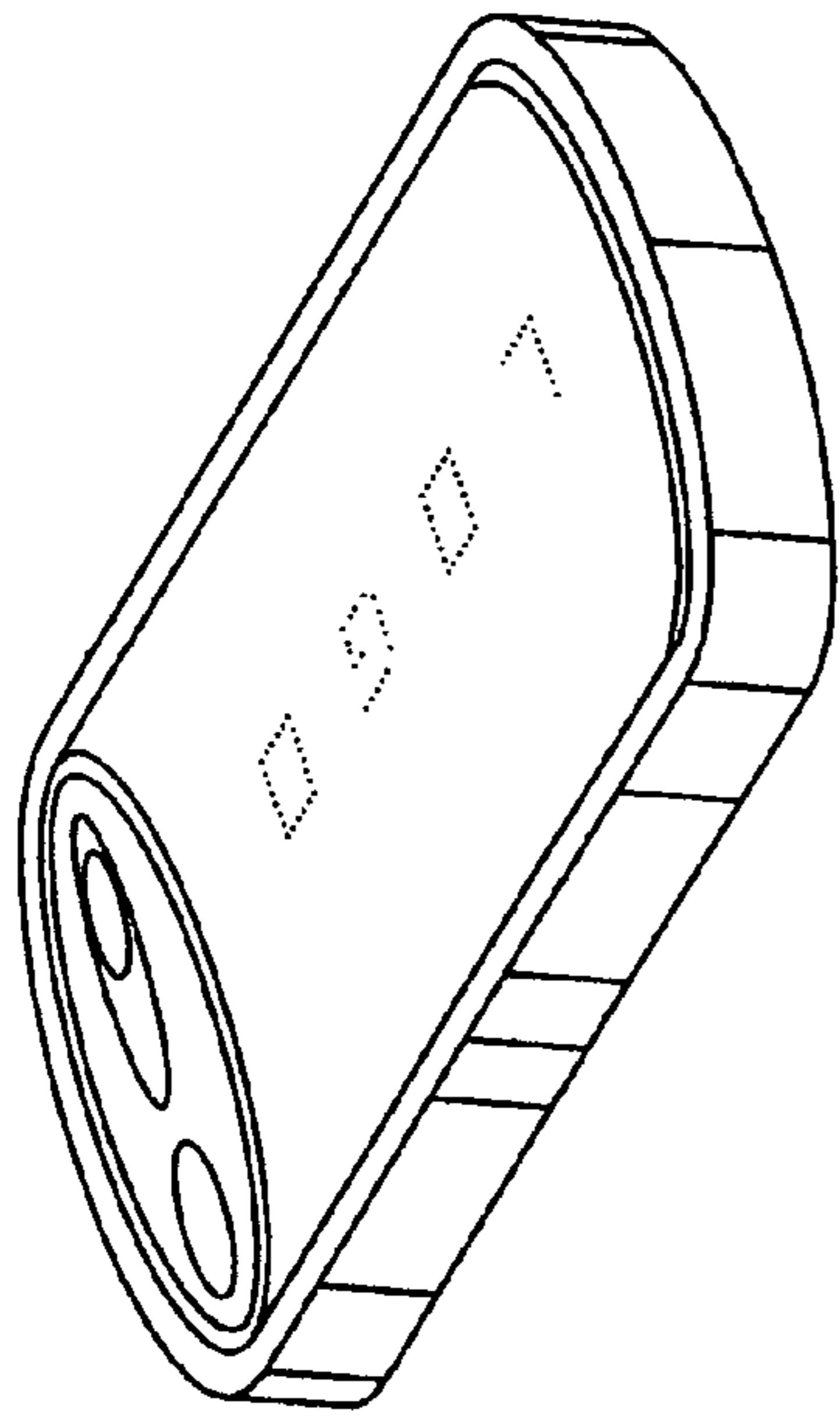


FIG. 1

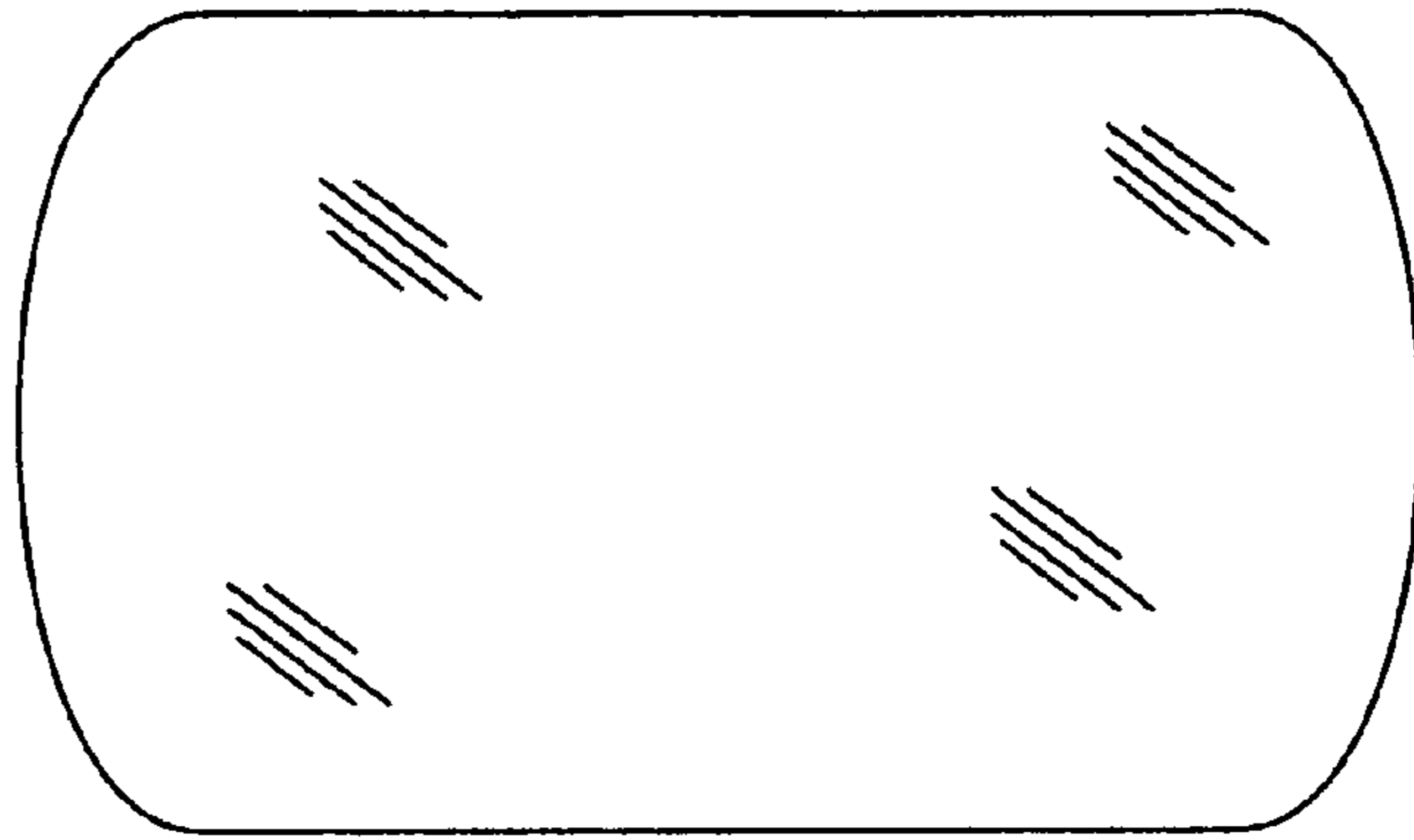


FIG. 4



FIG. 3

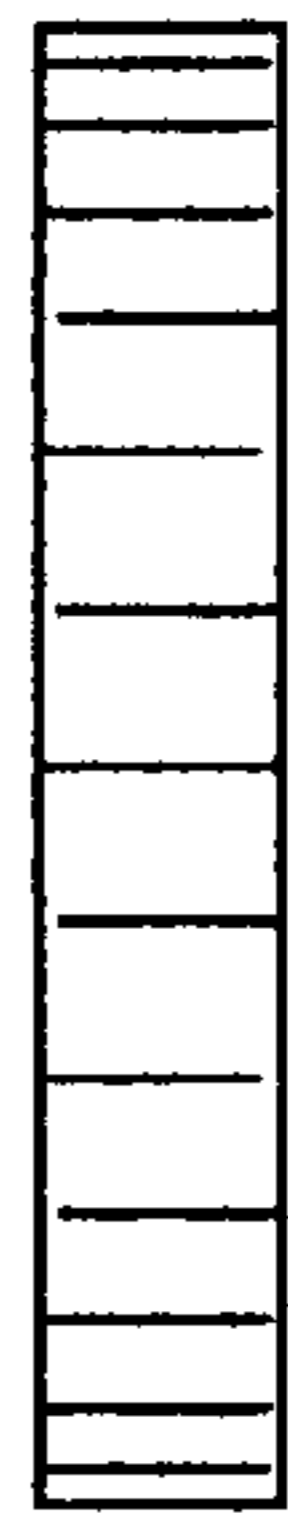


FIG. 5

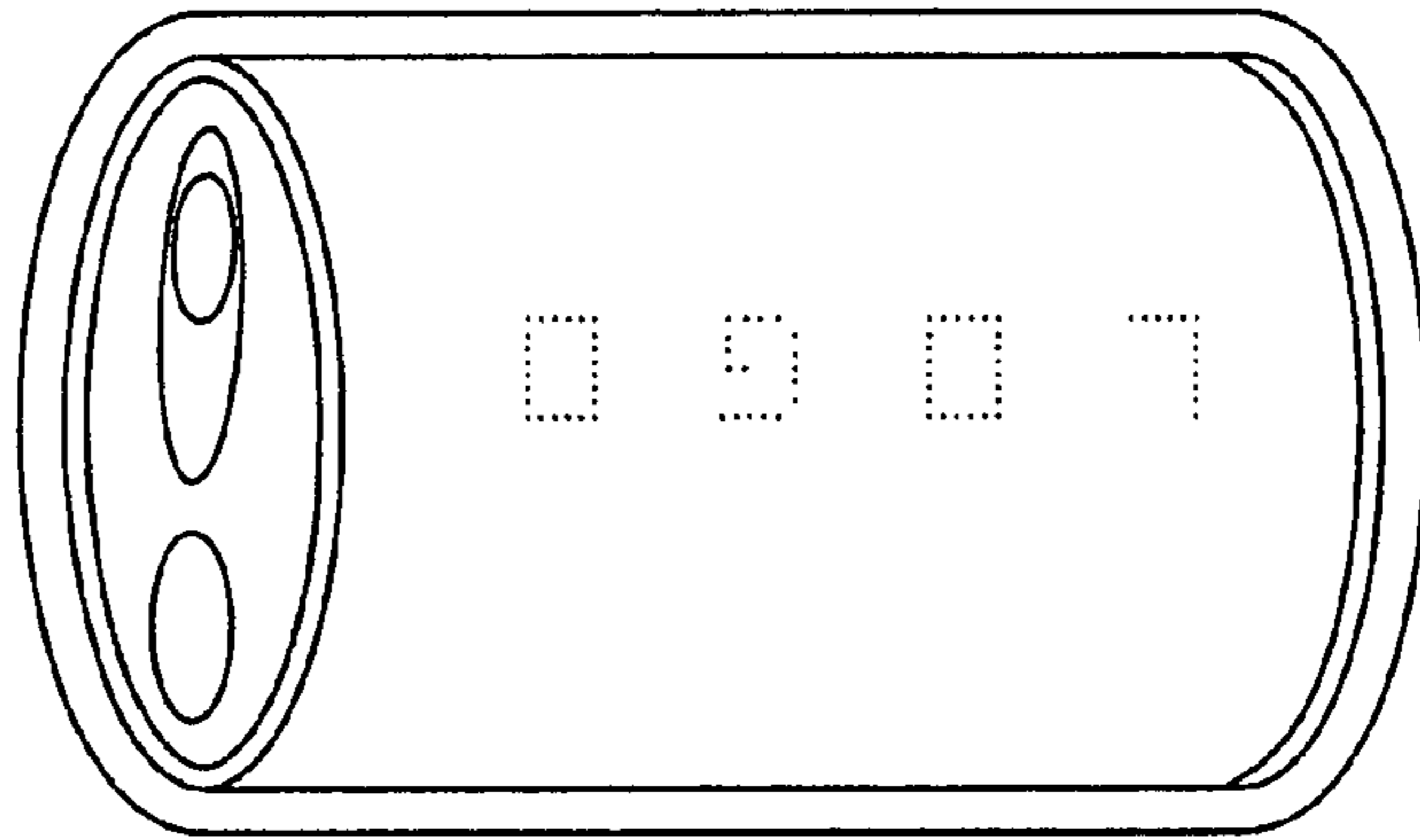


FIG. 2