



US00D621628S

(12) **United States Design Patent**  
**Saul**

(10) **Patent No.:** **US D621,628 S**  
(45) **Date of Patent:** **\*\* Aug. 17, 2010**

(54) **CONVERTIBLE FOLDING CHAIR AND TABLE**

**DESCRIPTION**

(76) Inventor: **Gregory M. Saul**, 2406 Dunavant St.,  
Charlotte, NC (US) 28203

(\*\*) Term: **14 Years**

(21) Appl. No.: **29/346,052**

(22) Filed: **Oct. 26, 2009**

(51) **LOC (9) Cl.** ..... **06-01**

(52) **U.S. Cl.** ..... **D6/335**

(58) **Field of Classification Search** ..... D6/334,  
D6/335, 336, 337, 349, 361, 369, 374, 491,  
D6/500-502, 480, 482, 486; 297/63, 94,  
297/232, 233, 248, 283.1, 283.2, 535, 354.1,  
297/445.1, 446.1, 448.1; 5/12.1, 12.2

See application file for complete search history.

(56) **References Cited**

**U.S. PATENT DOCUMENTS**

2,108,241	A *	2/1938	Wallace	.....	248/157
2,593,319	A *	4/1952	Levitin et al.	.....	5/657
D167,514	S *	8/1952	Hicks	.....	D6/335
2,693,846	A *	11/1954	Luttio	.....	297/105
2,896,965	A *	7/1959	Moustakis	.....	280/6.16
3,469,882	A *	9/1969	Larsen	.....	297/118
D220,952	S *	6/1971	Peterson	.....	D6/360

(Continued)

*Primary Examiner*—Sandra Snapp

(74) *Attorney, Agent, or Firm*—Henry B. Ward, III; Moore &  
Van Allen

(57) **CLAIM**

The ornamental design for a convertible folding chair and table, as shown and described.

FIG. 1 is a front, top and right side perspective view of a convertible folding chair and table in a chair position;

FIG. 2 is a top plan view thereof;

FIG. 3 is a left side elevational view thereof;

FIG. 4 is a front elevational view thereof;

FIG. 5 is a right side elevational view thereof;

FIG. 6 is a rear elevational view thereof;

FIG. 7 is a bottom plan view thereof;

FIG. 8 is a front, top and right side perspective view of a convertible folding chair and table in a table position, with the top removed for ease of illustration;

FIG. 9 is a top plan view of FIG. 8;

FIG. 10 is a left side elevational view of FIG. 8;

FIG. 11 is a front elevational view of FIG. 8;

FIG. 12 is a right side elevational view of FIG. 8;

FIG. 13 is a rear elevational view of FIG. 8;

FIG. 14 is a bottom plan view of FIG. 8;

FIG. 15 is a front, top and right side perspective view of a convertible folding chair and table in a table position with the top thereon;

FIG. 16 is a top plan view of FIG. 15;

FIG. 17 is a left side elevational view of FIG. 15;

FIG. 18 is a front elevational view of FIG. 15;

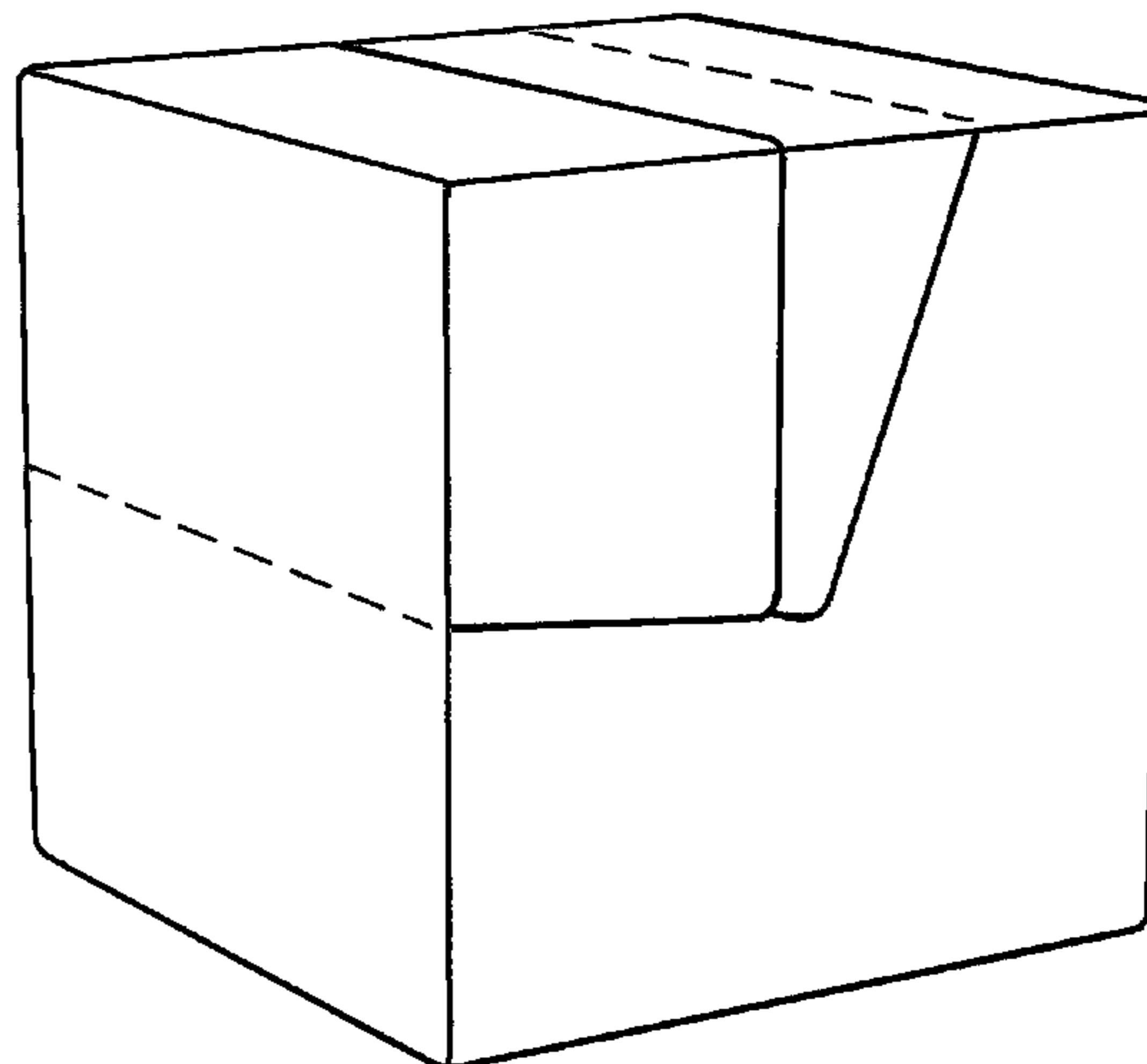
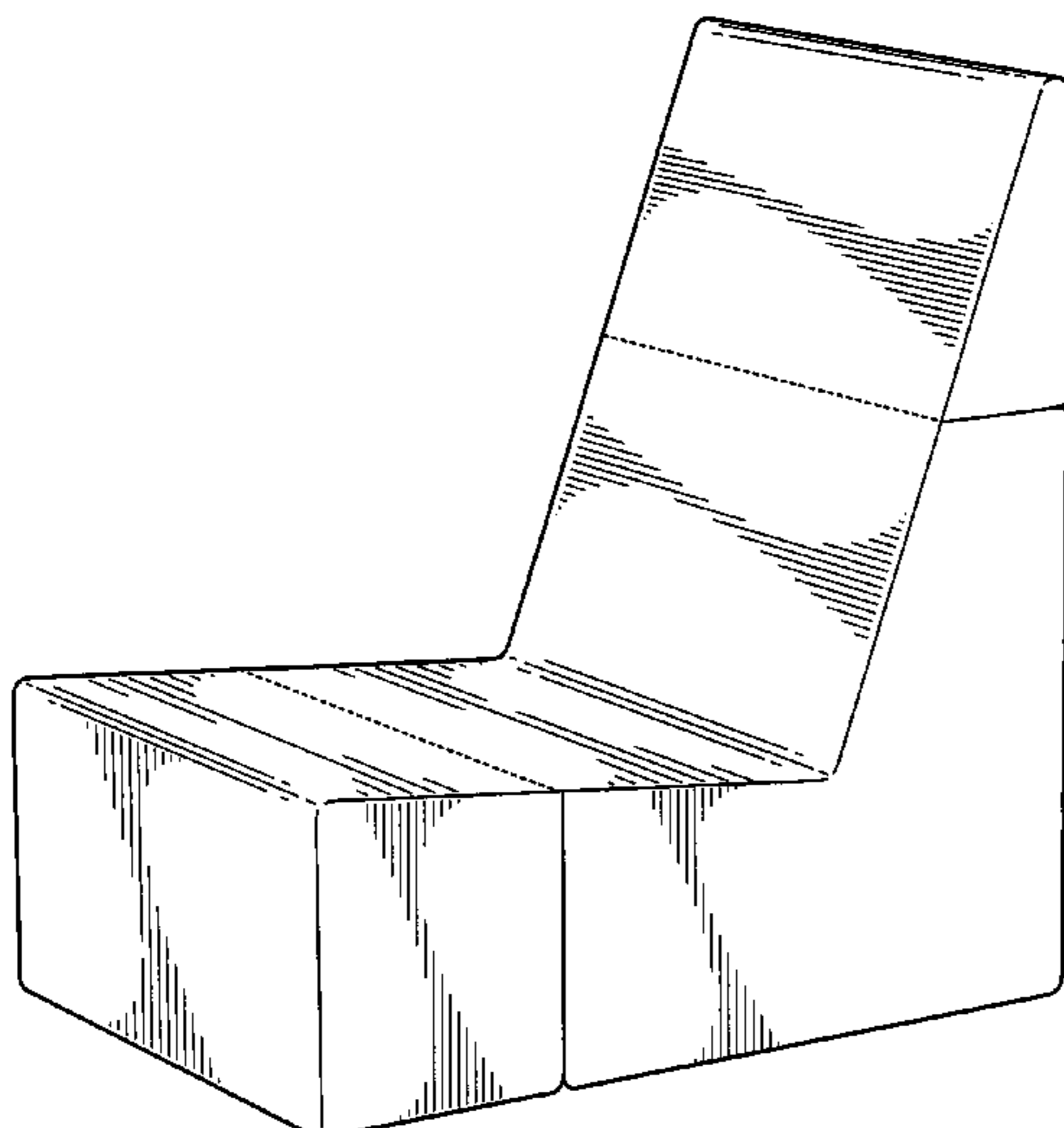
FIG. 19 is a right side elevational view of FIG. 15;

FIG. 20 is a rear elevational view of FIG. 15; and,

FIG. 21 is a bottom plan view of FIG. 15.

The broken lines shown in the drawings are shown for illustrative purposes only and form no part of the claimed design. In addition, the surface shading, if any, illustrated in the drawings is provided merely to highlight the contour of the design; it is not intended to be illustrative of texture or gloss.

**1 Claim, 6 Drawing Sheets**



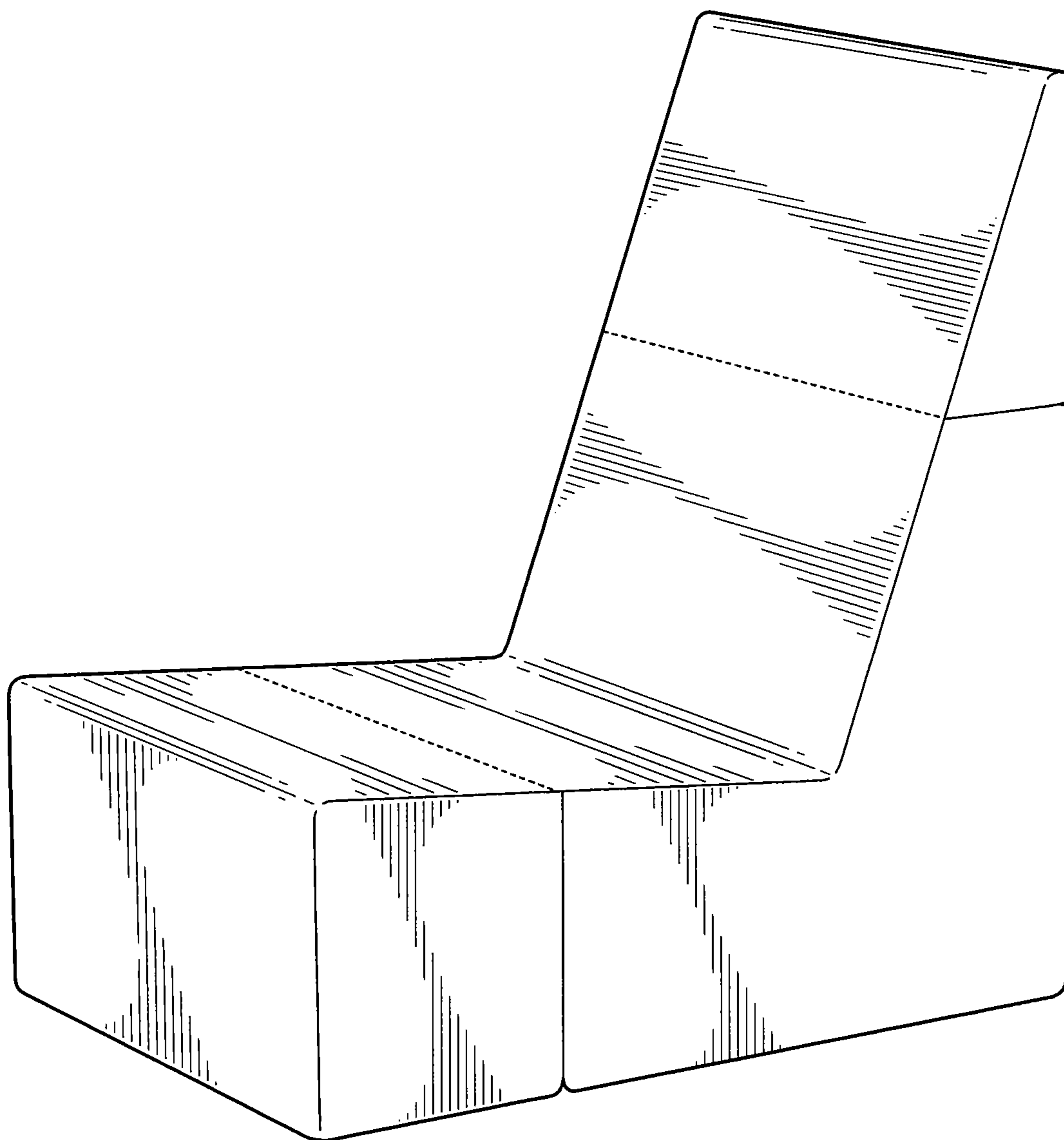
# US D621,628 S

Page 2

## U.S. PATENT DOCUMENTS

3,672,720	A *	6/1972	Wilson	.....	297/118	D372,805	S *	8/1996	Bonaddio et al.	.....	D6/375
3,736,023	A *	5/1973	Lyons	.....	297/118	D396,757	S *	8/1998	Katz et al.	.....	D6/361
3,742,526	A *	7/1973	Lillard	.....	5/12.1	6,170,908	B1 *	1/2001	Jewell	.....	297/118
3,902,759	A *	9/1975	Monteforte et al.	....	297/452.16	6,270,155	B1 *	8/2001	Rashid	.....	297/1
D274,576	S *	7/1984	Tiffany	.....	D6/335	6,823,545	B1 *	11/2004	Davis	.....	5/630
4,518,203	A *	5/1985	White	.....	297/452.16	D503,548	S *	4/2005	Peters	.....	D6/335
4,970,742	A *	11/1990	Keener	.....	5/633	D503,855	S *	4/2005	Best	.....	D6/335
D335,035	S *	4/1993	Floyd	.....	D6/361	D510,486	S *	10/2005	Karl	.....	D6/334
D337,445	S *	7/1993	Sando	.....	D6/368	D518,301	S *	4/2006	Ng et al.	.....	D6/335
5,299,337	A *	4/1994	Venza	.....	5/656	D548,987	S *	8/2007	McNae	.....	D6/344
D366,966	S *	2/1996	Bonaddio et al.	.....	D6/335	D558,470	S *	1/2008	Williams et al.	.....	D6/335
						D587,024	S *	2/2009	Turco-Rivas	.....	D6/336

\* cited by examiner



**FIG. 1**

FIG. 2

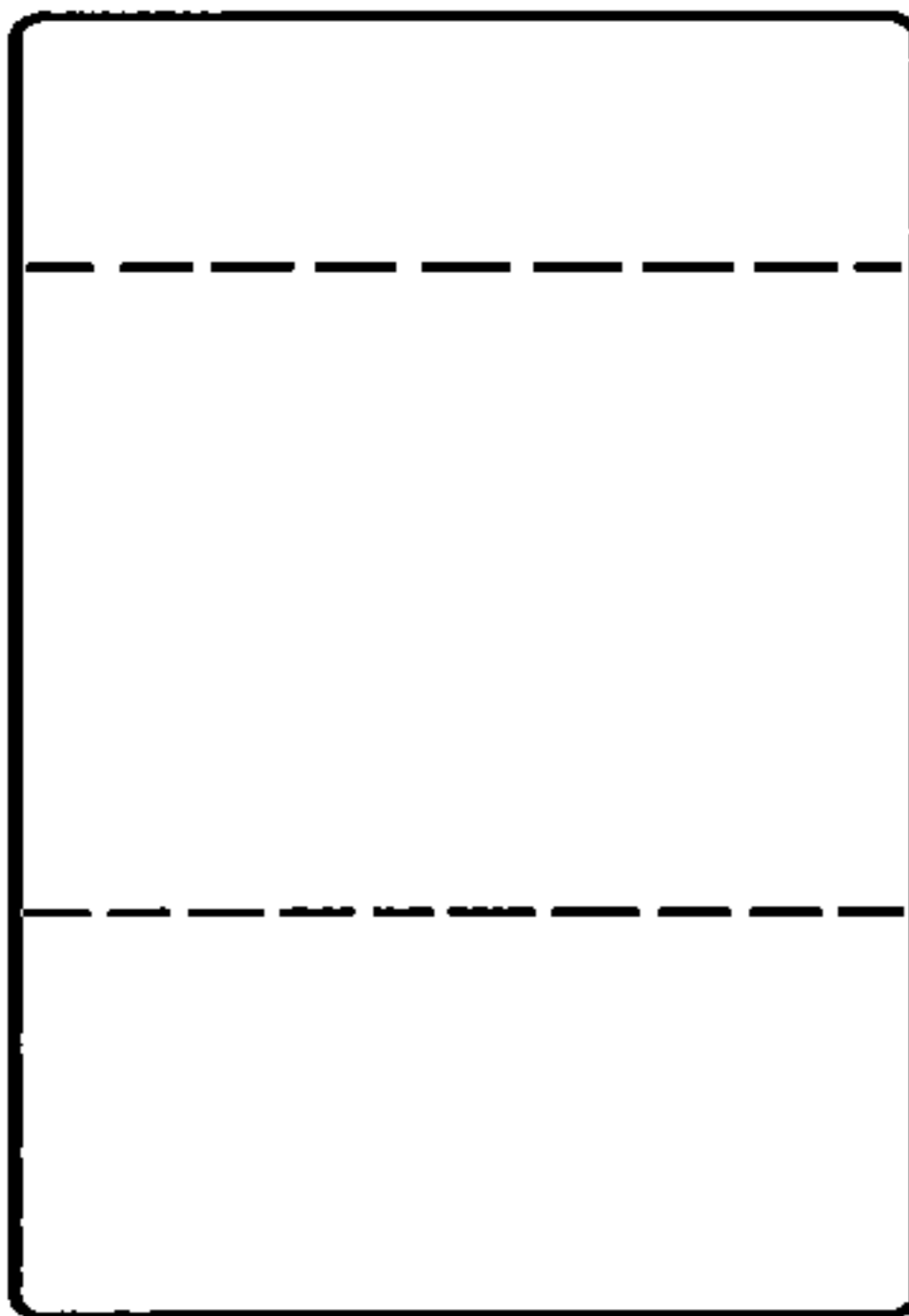


FIG. 3

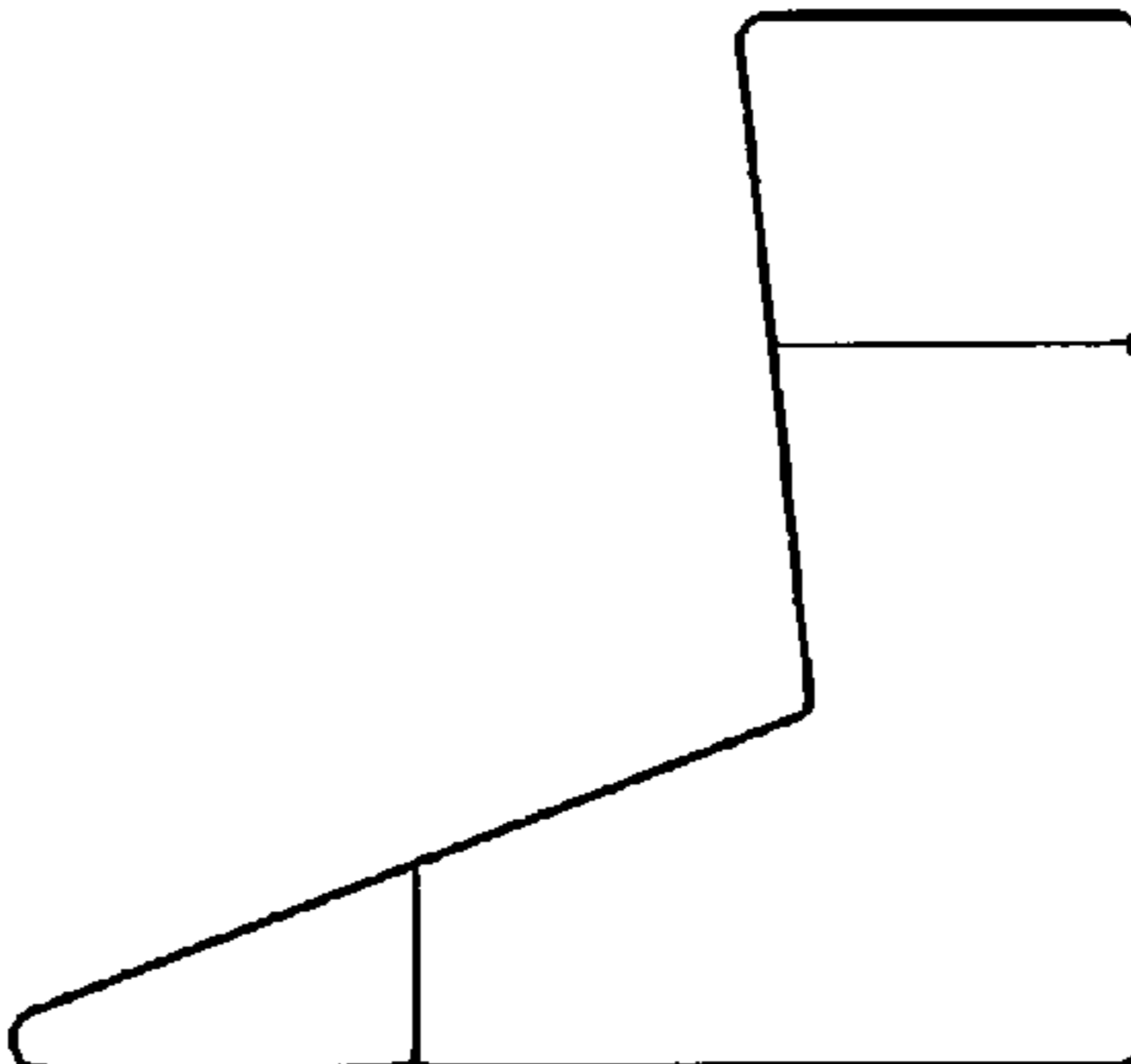


FIG. 4

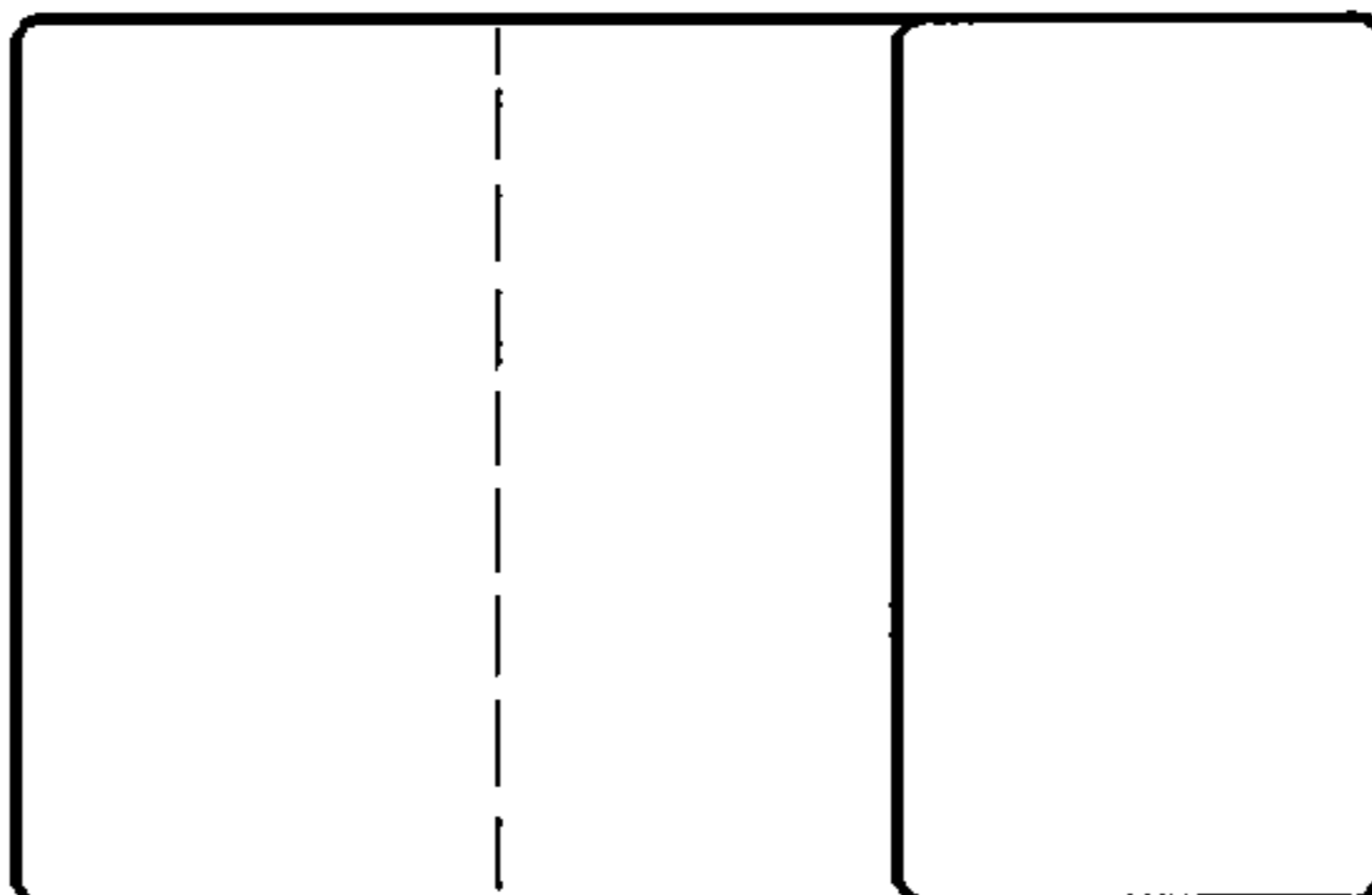


FIG. 5

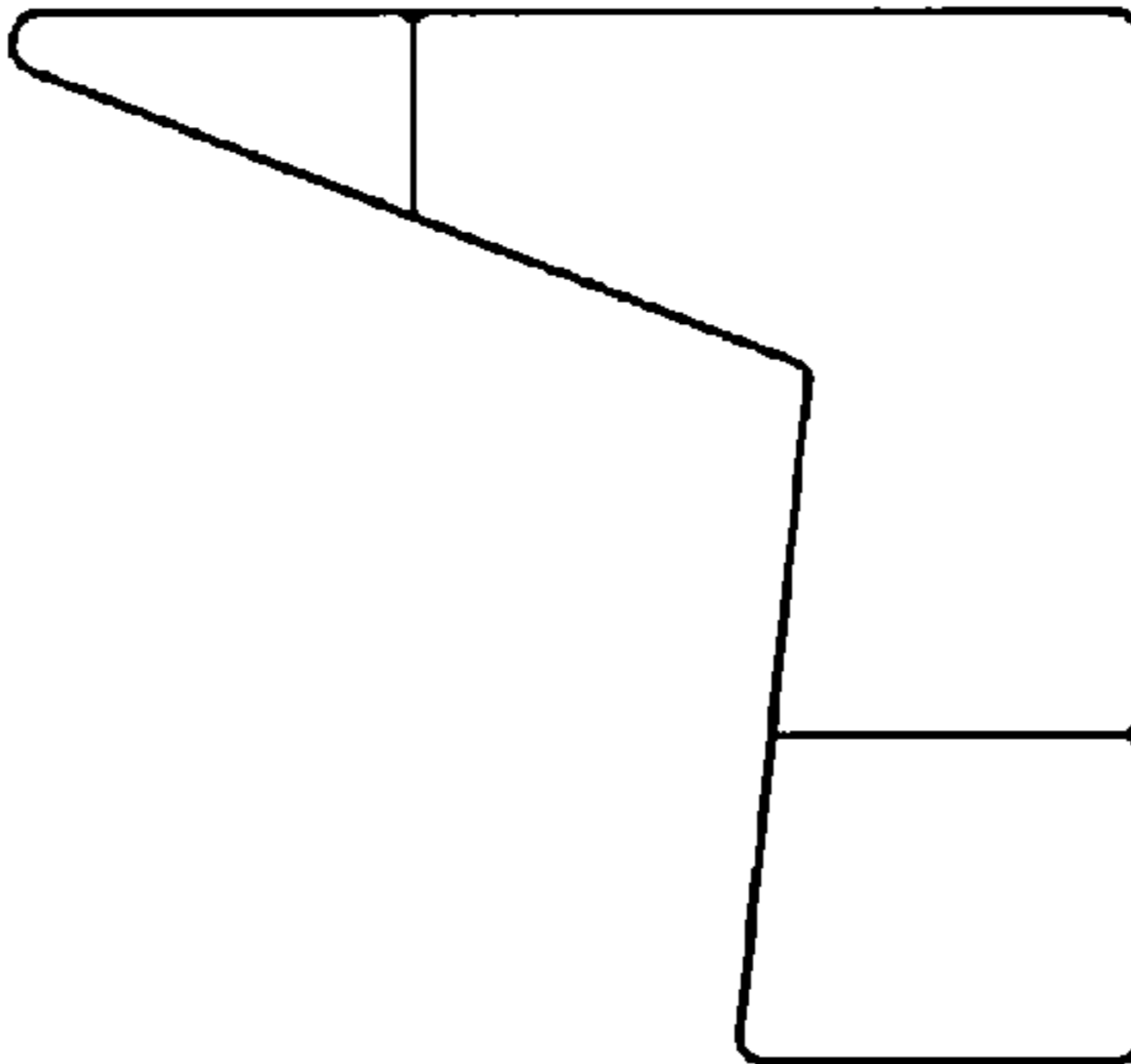


FIG. 6

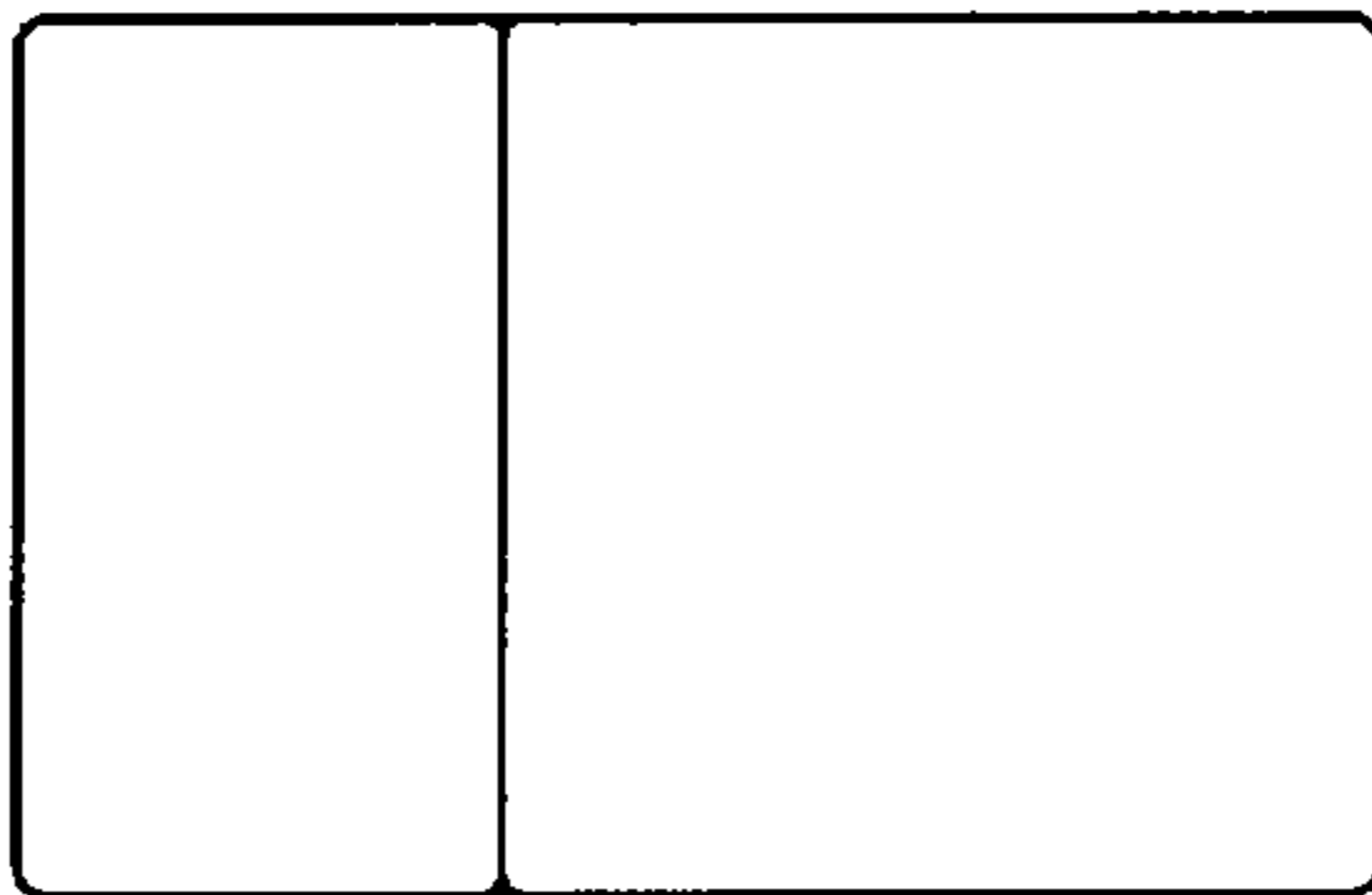


FIG. 7

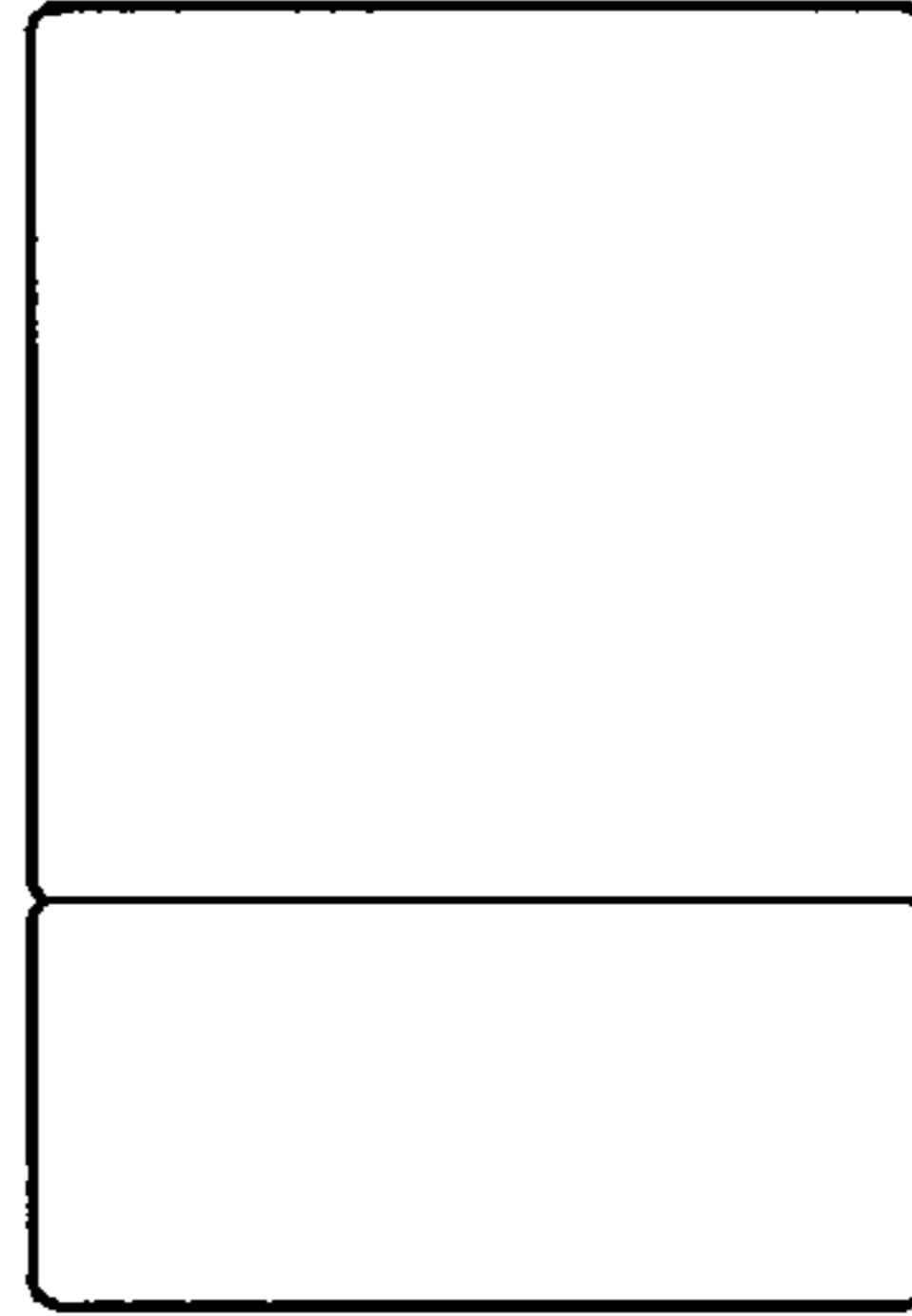


FIG. 8

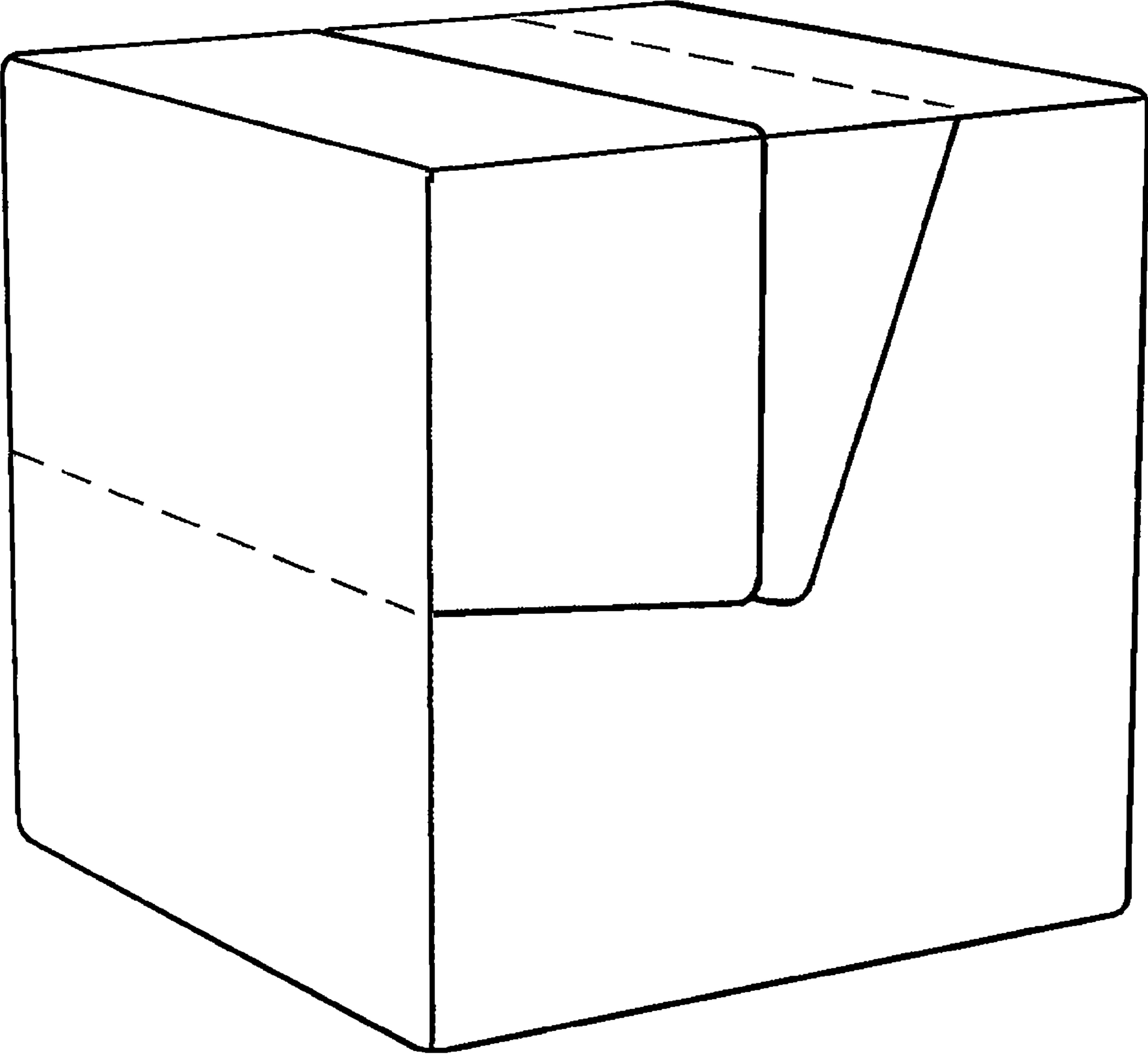


FIG. 9

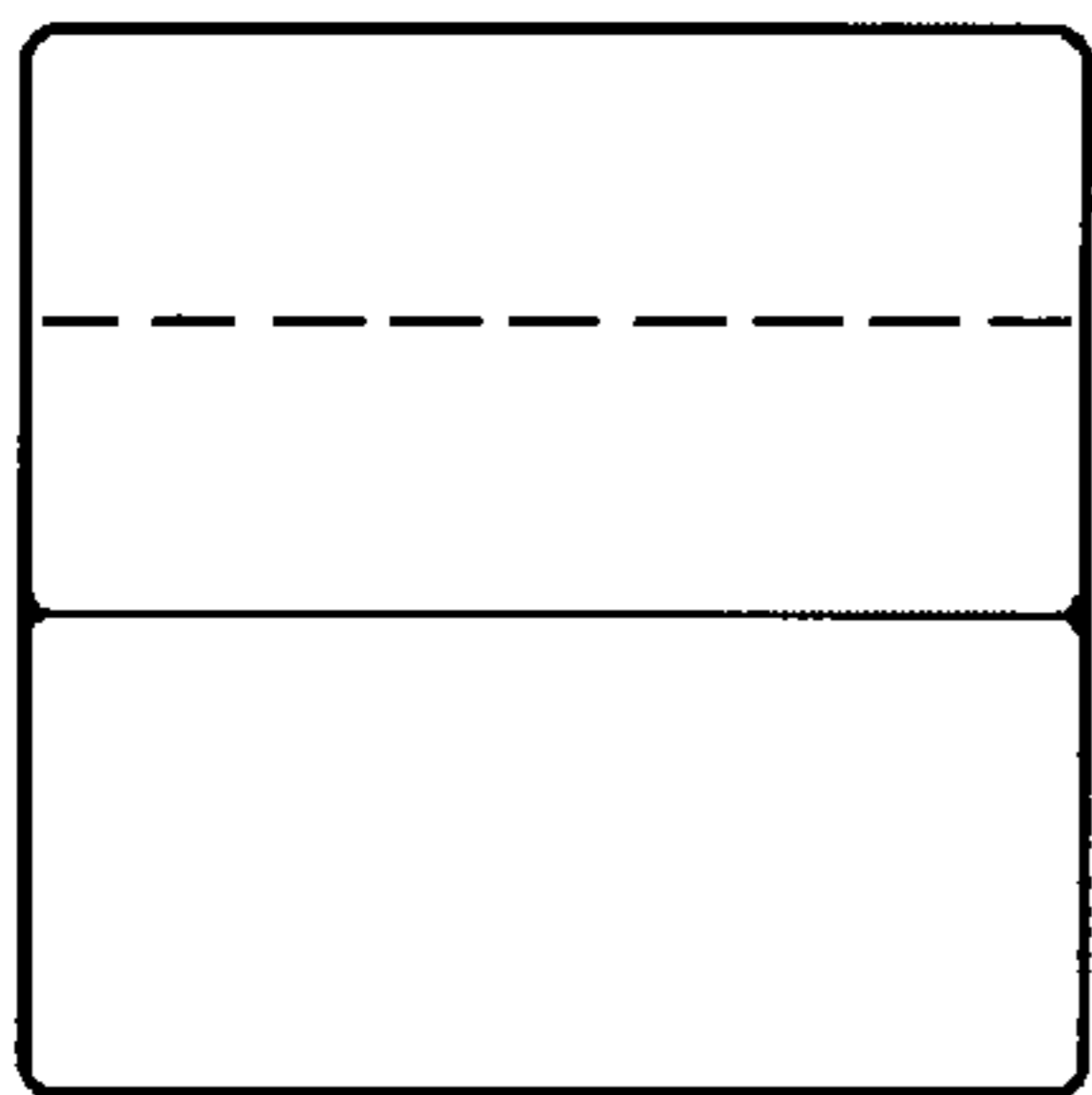


FIG. 10

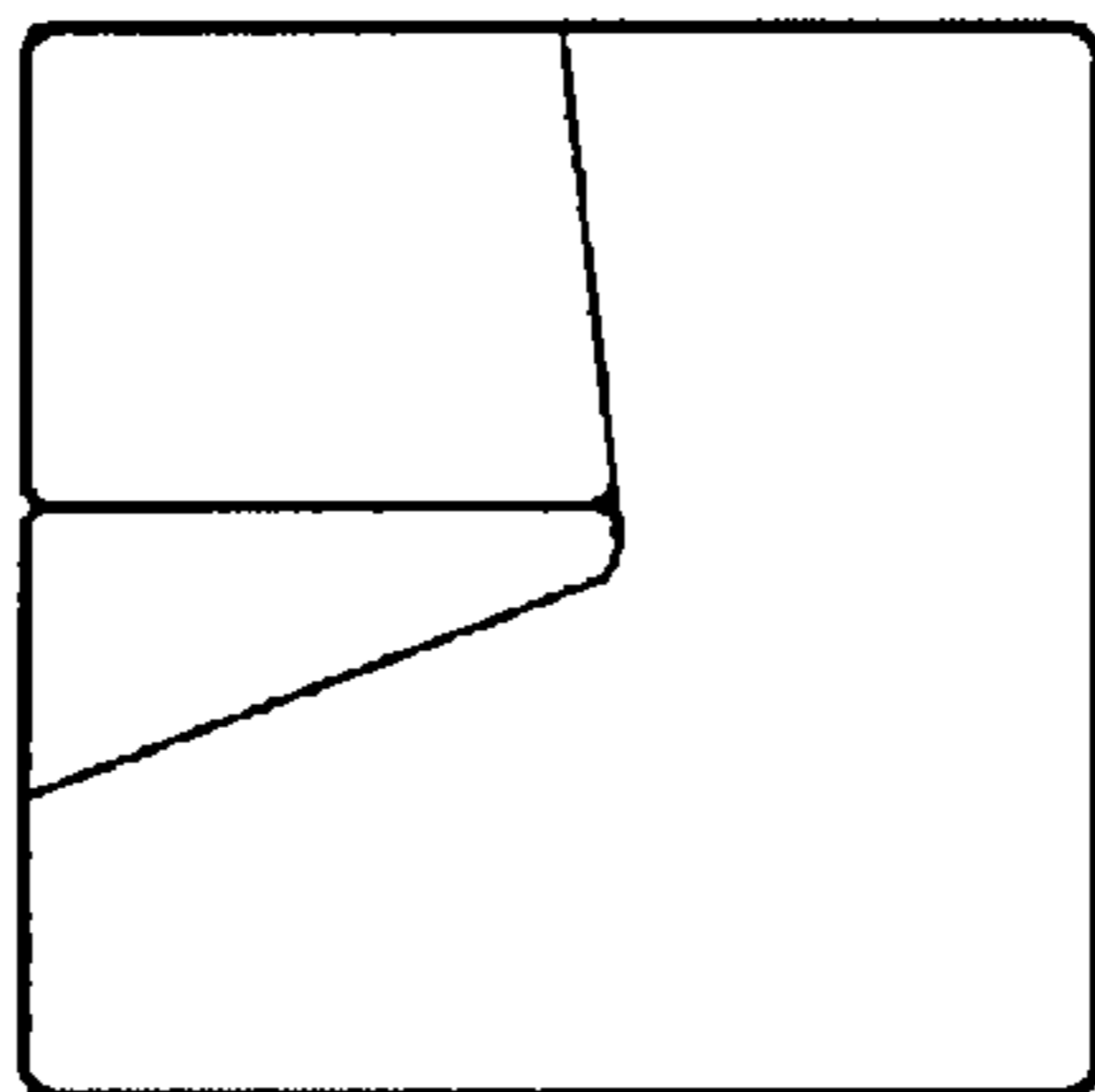


FIG. 11

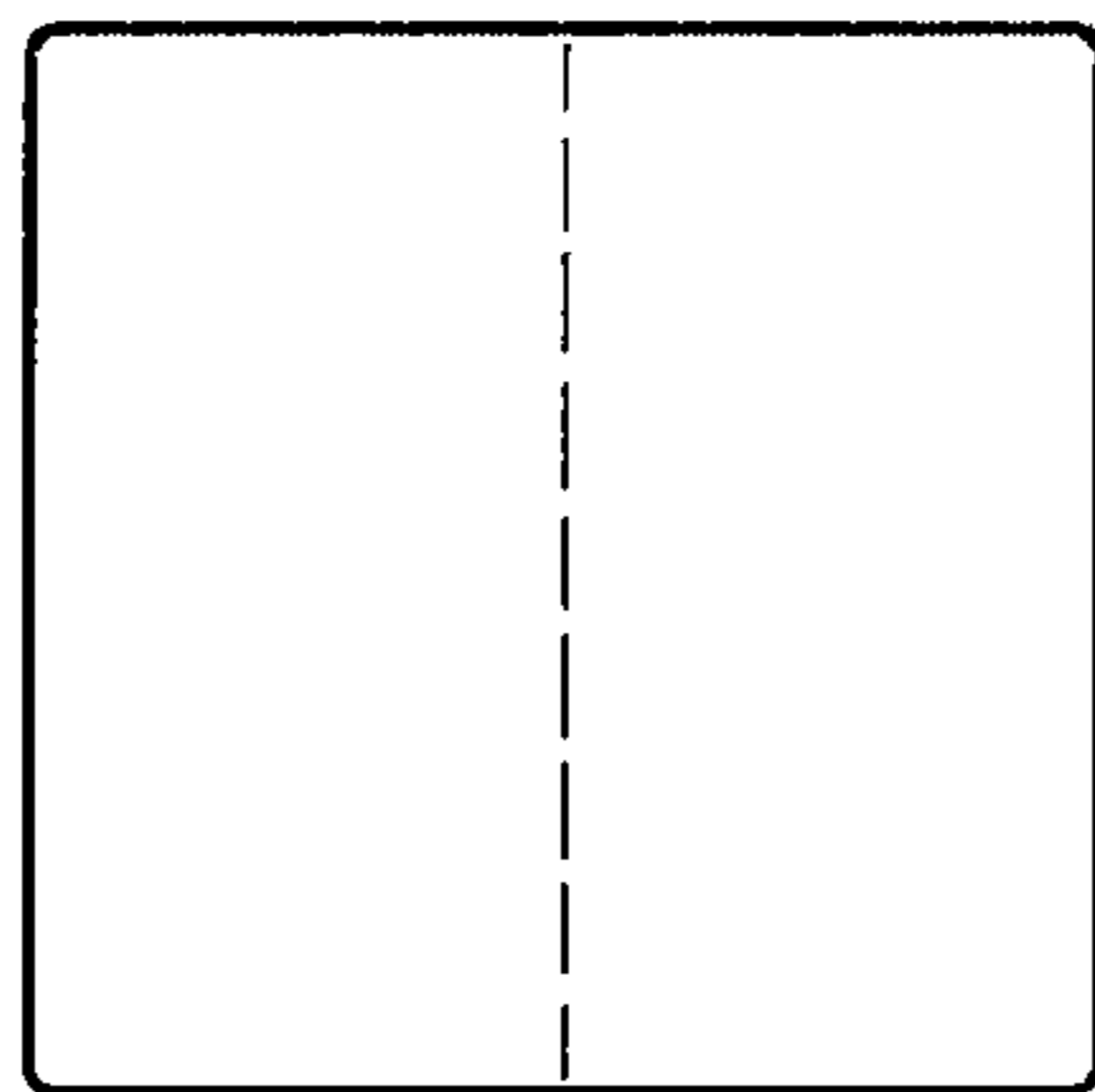


FIG. 12

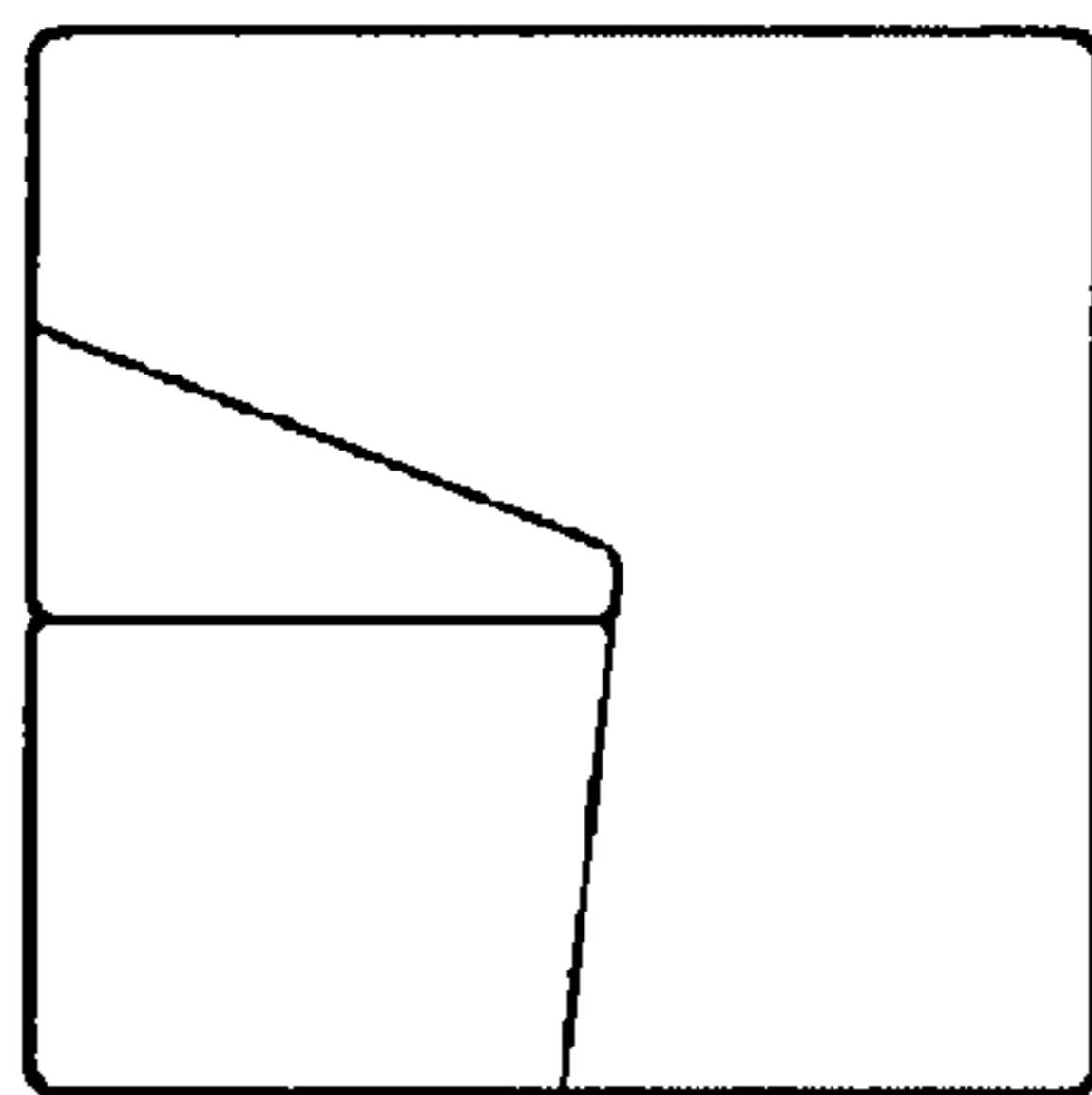


FIG. 13

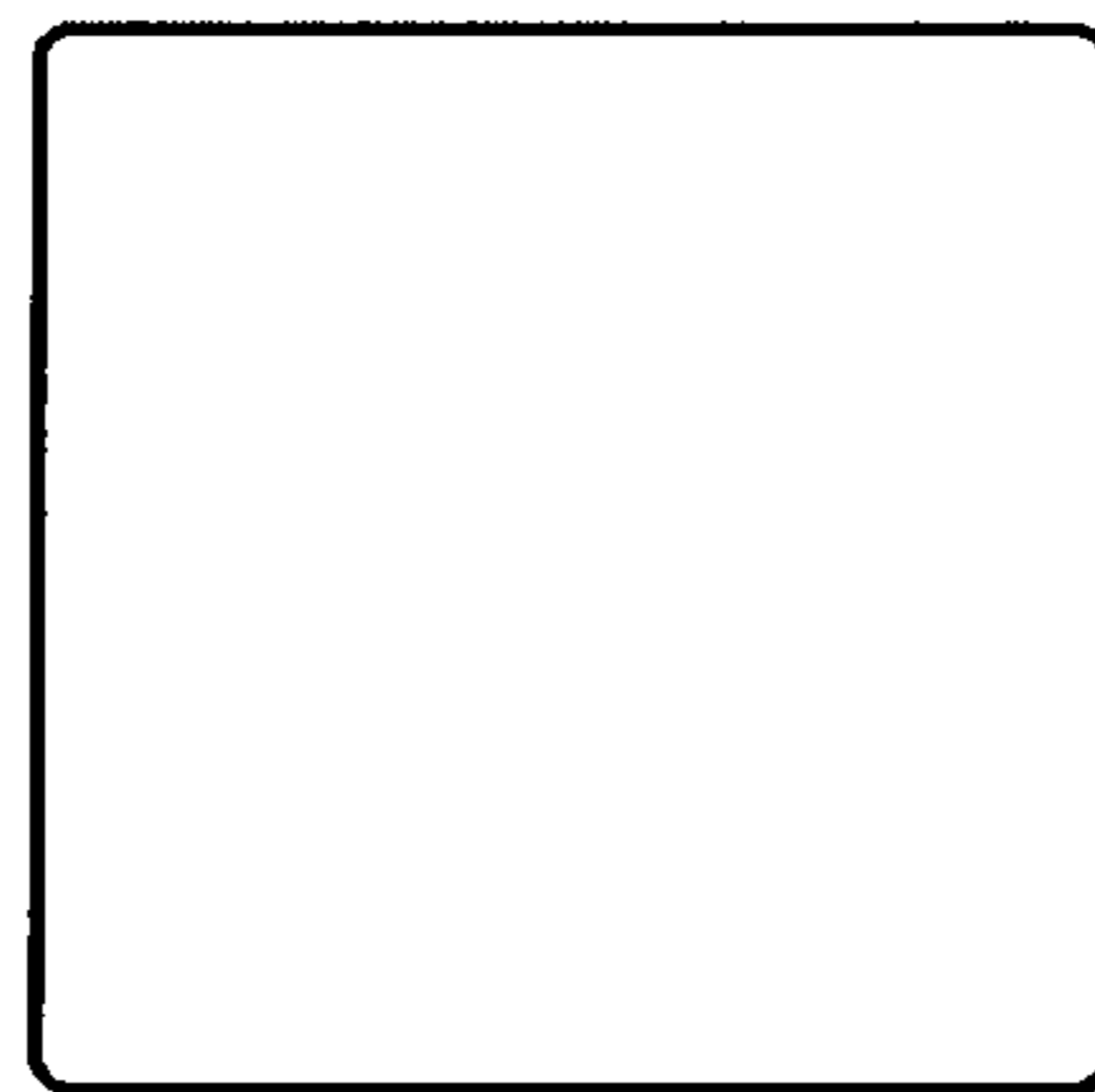


FIG. 14

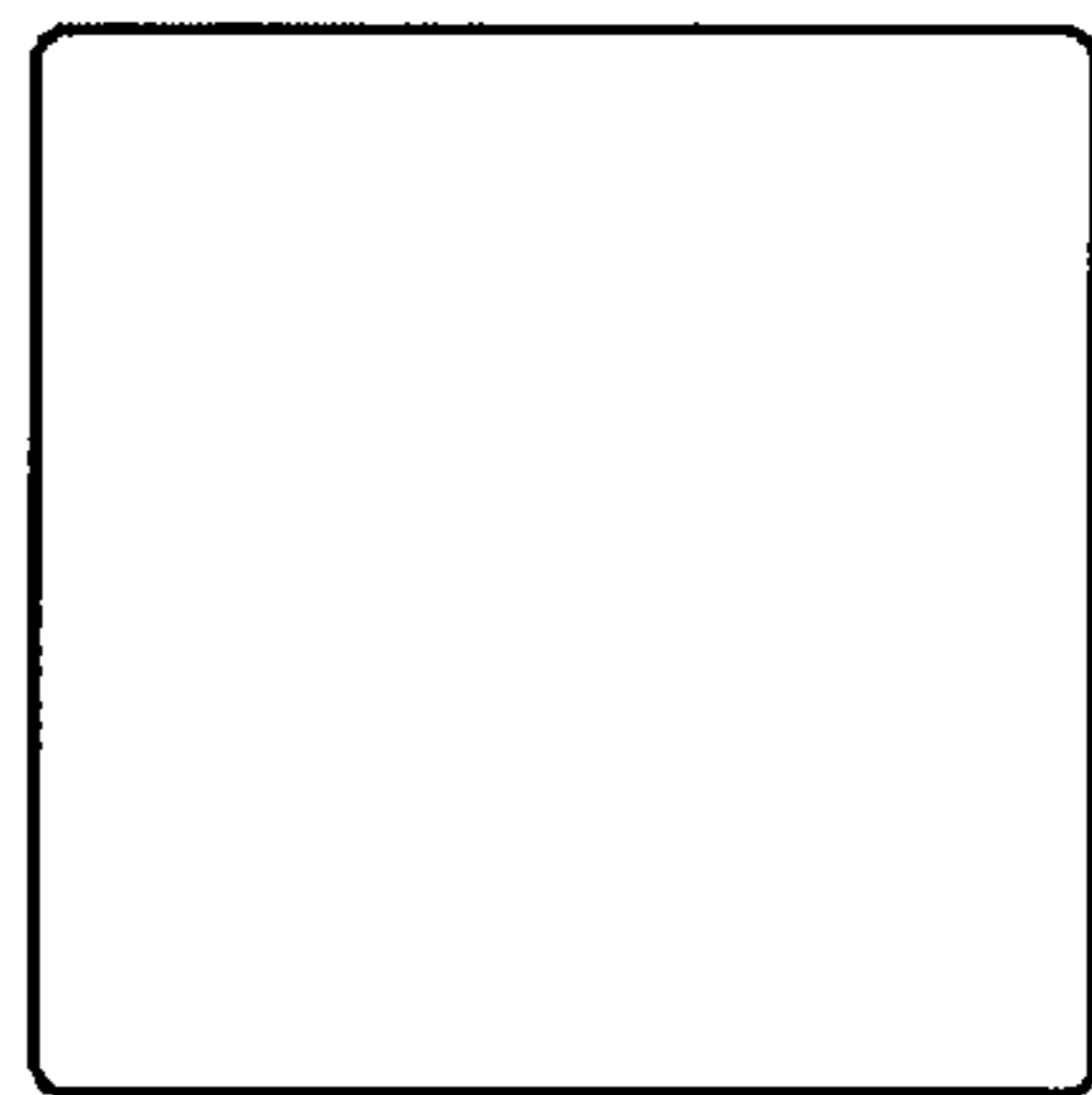


FIG. 15

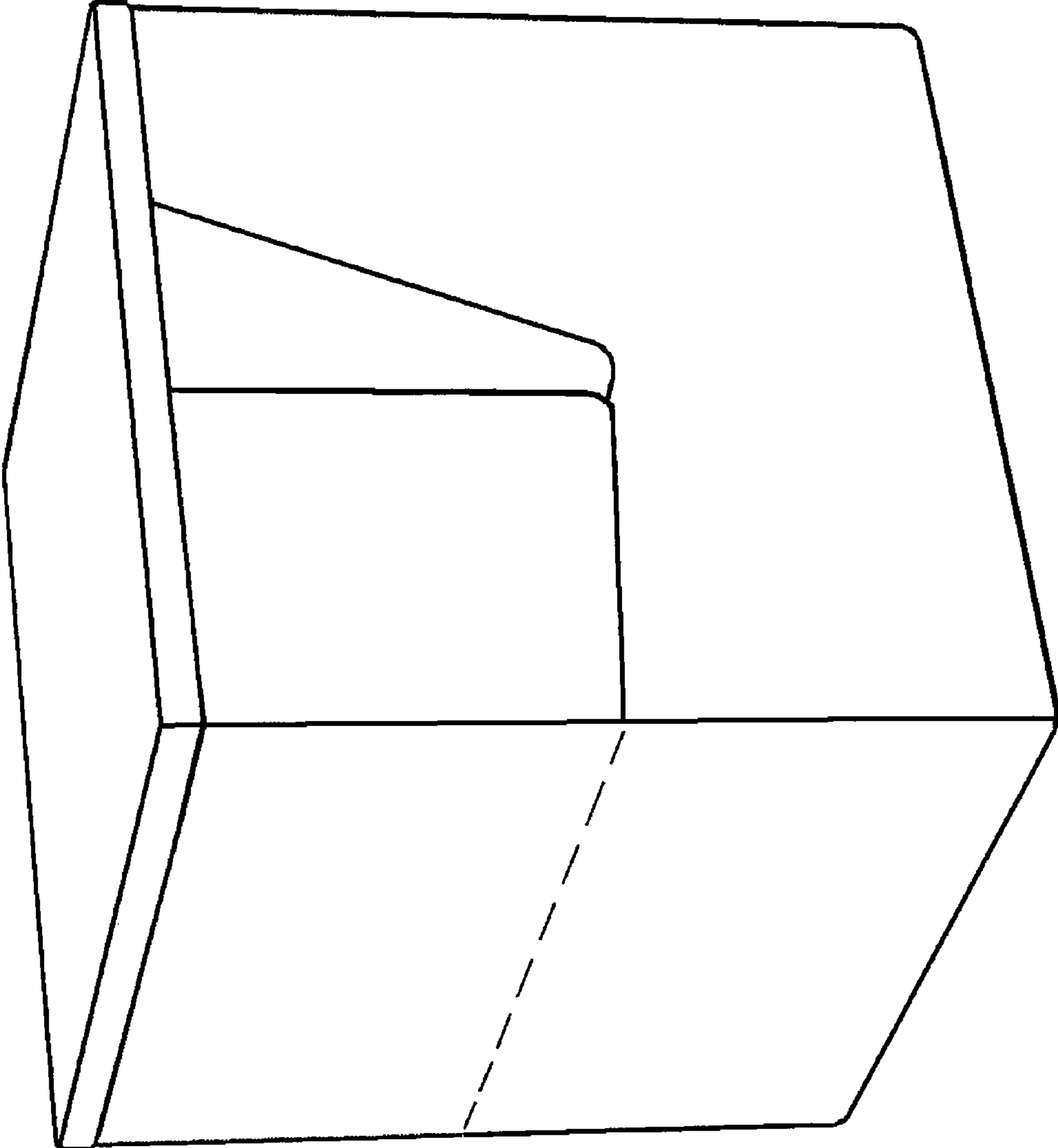


FIG. 16

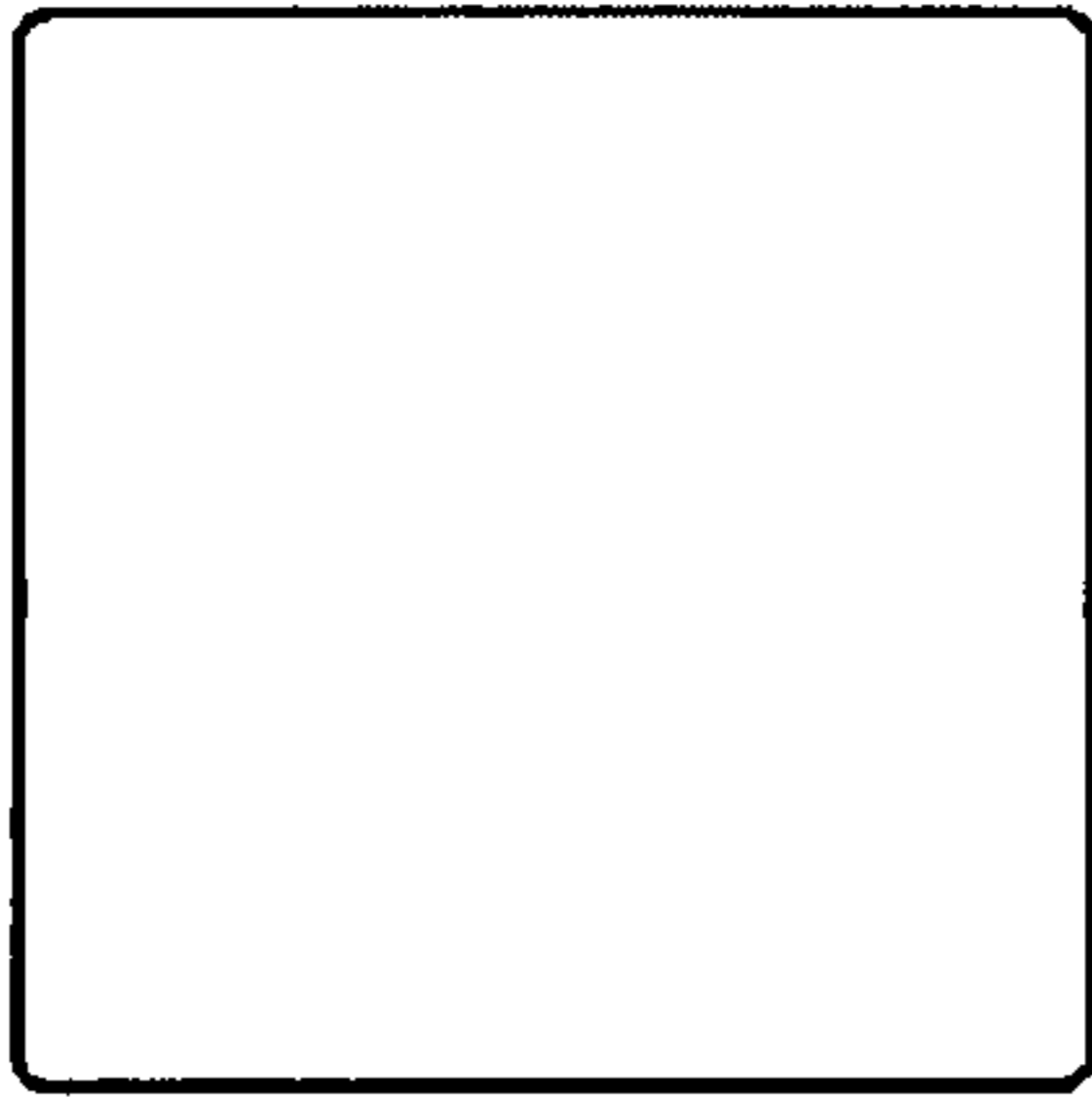


FIG. 19

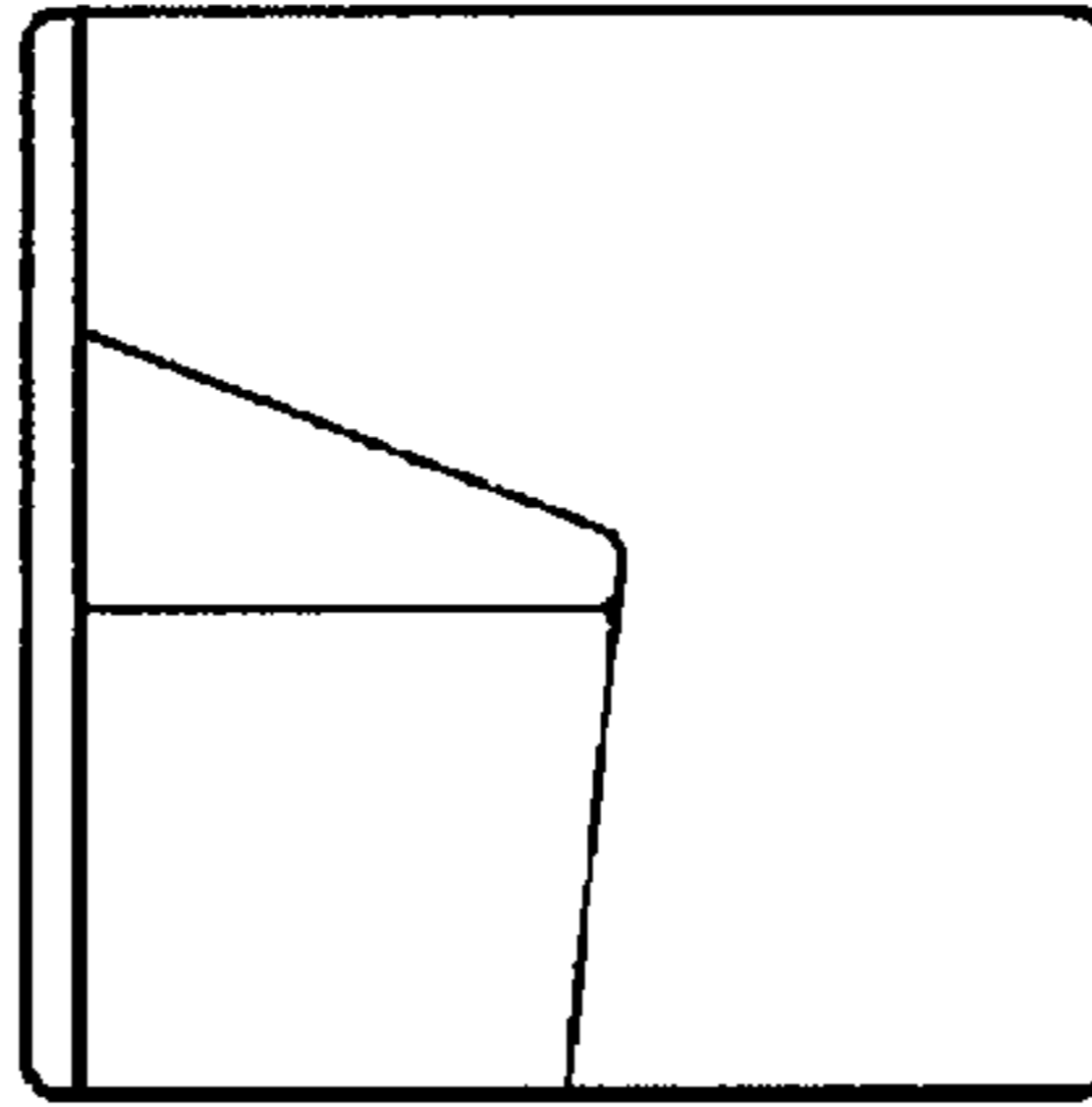


FIG. 18

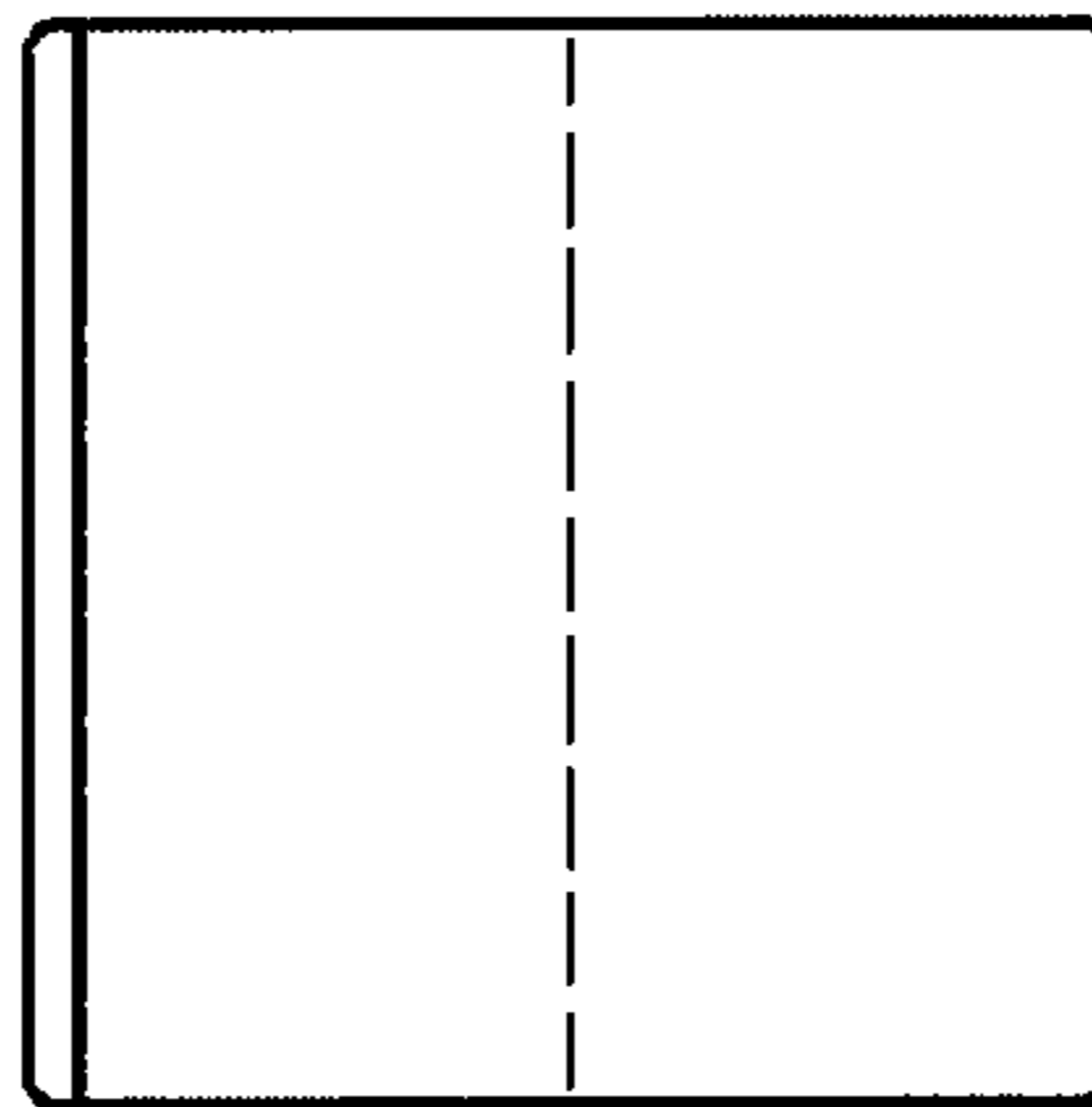


FIG. 17

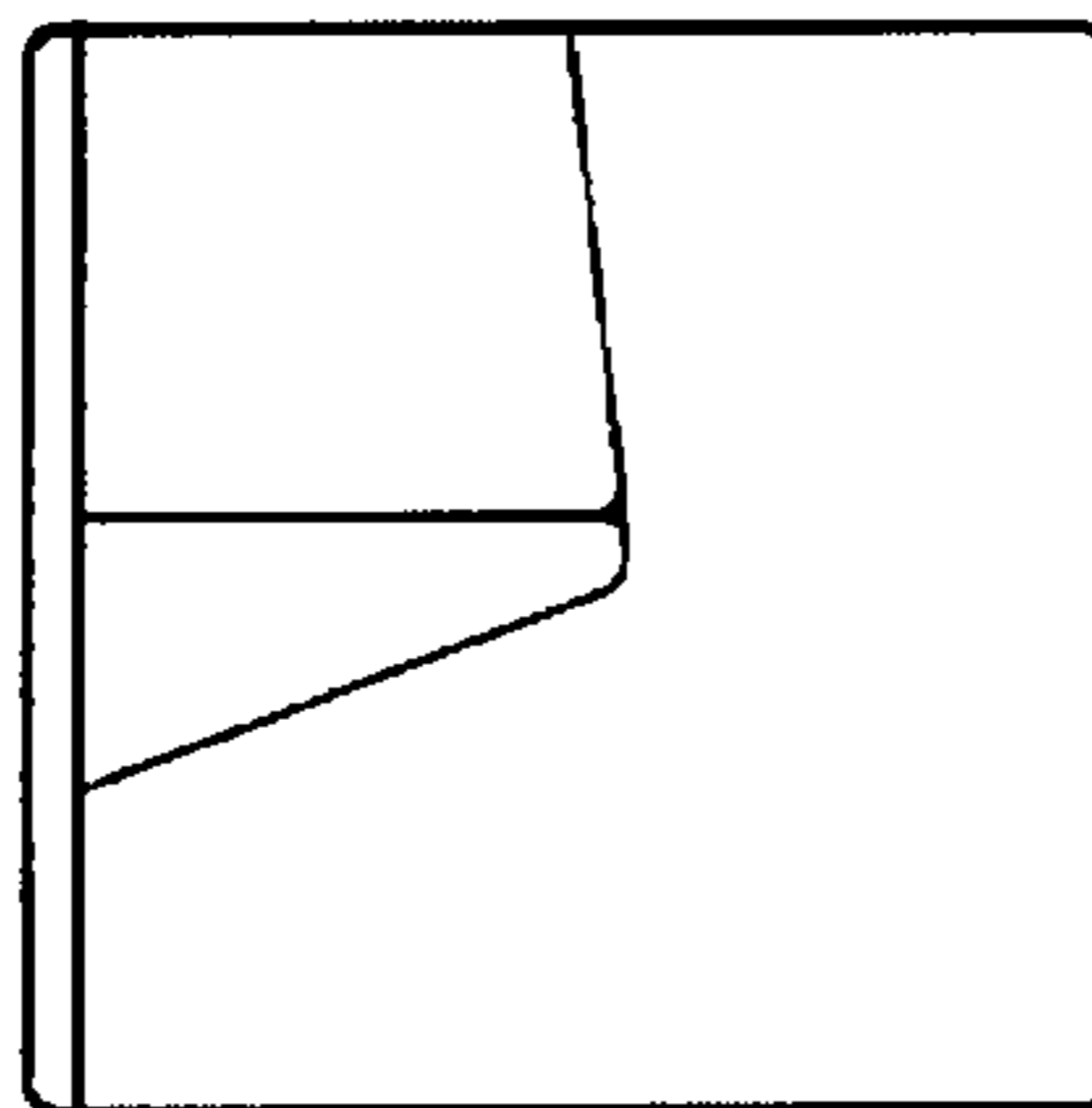


FIG. 20

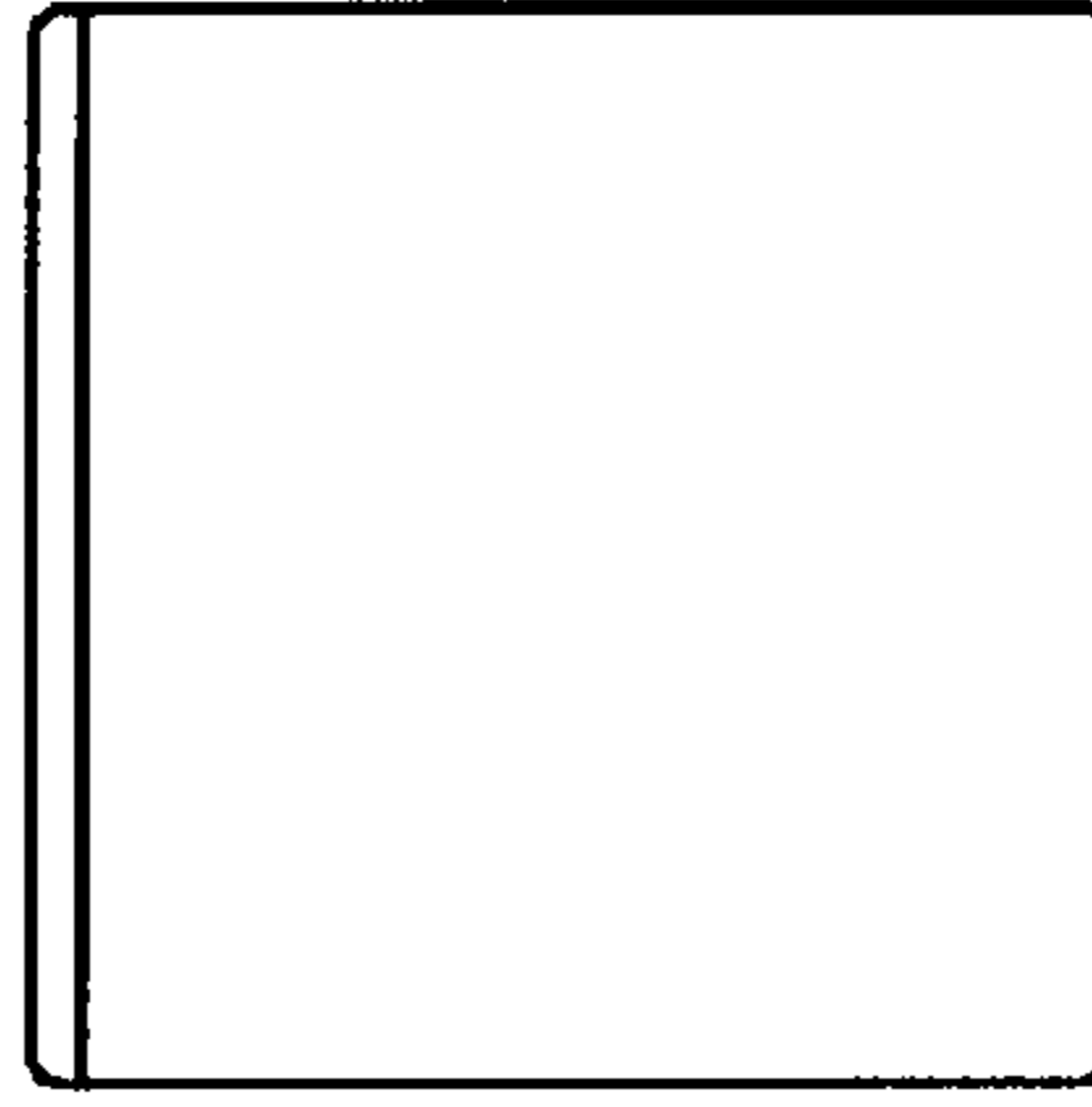


FIG. 21

