



US00D621627S

(12) **United States Design Patent**
Mangano

(10) **Patent No.:** **US D621,627 S**

(45) **Date of Patent:** **** Aug. 17, 2010**

(54) **HANGER CLIP**

(75) Inventor: **Joy Mangano**, St. James, NY (US)

(73) Assignee: **Ingenious Designs, LLC**, Edgewood, NY (US)

(**) Term: **14 Years**

(21) Appl. No.: **29/340,736**

(22) Filed: **Jul. 24, 2009**

(51) **LOC (9) Cl.** **06-08**

(52) **U.S. Cl.** **D6/328**

(58) **Field of Classification Search** D6/315,
D6/317, 326, 328; D8/72; D11/215; 211/1,
211/13.1, 85.3, 86.01, 183; 223/85-98
See application file for complete search history.

(56) **References Cited**

U.S. PATENT DOCUMENTS

D251,345 S *	3/1979	Bigelow et al.	D6/328
D277,534 S *	2/1985	Warmath	D6/328
D296,729 S *	7/1988	Blanchard	D6/328
D315,992 S *	4/1991	Tremblay et al.	D6/328
D316,333 S *	4/1991	Maki	D6/328
D323,588 S *	2/1992	Pelosi	D6/328

D334,846 S *	4/1993	Blanchard	D6/317
D409,006 S *	5/1999	Blanchard	D6/326
D415,357 S *	10/1999	Blanchard	D6/326
D429,898 S *	8/2000	Morgan et al.	D6/326
D436,743 S *	1/2001	Batts et al.	D6/328
D440,409 S *	4/2001	Blanchard	D6/326
D555,916 S	11/2007	Mangano		

* cited by examiner

Primary Examiner—Shanda C Hill

(74) *Attorney, Agent, or Firm*—Kenyon & Kenyon LLP

(57) **CLAIM**

The ornamental design for a hanger clip, as shown and described.

DESCRIPTION

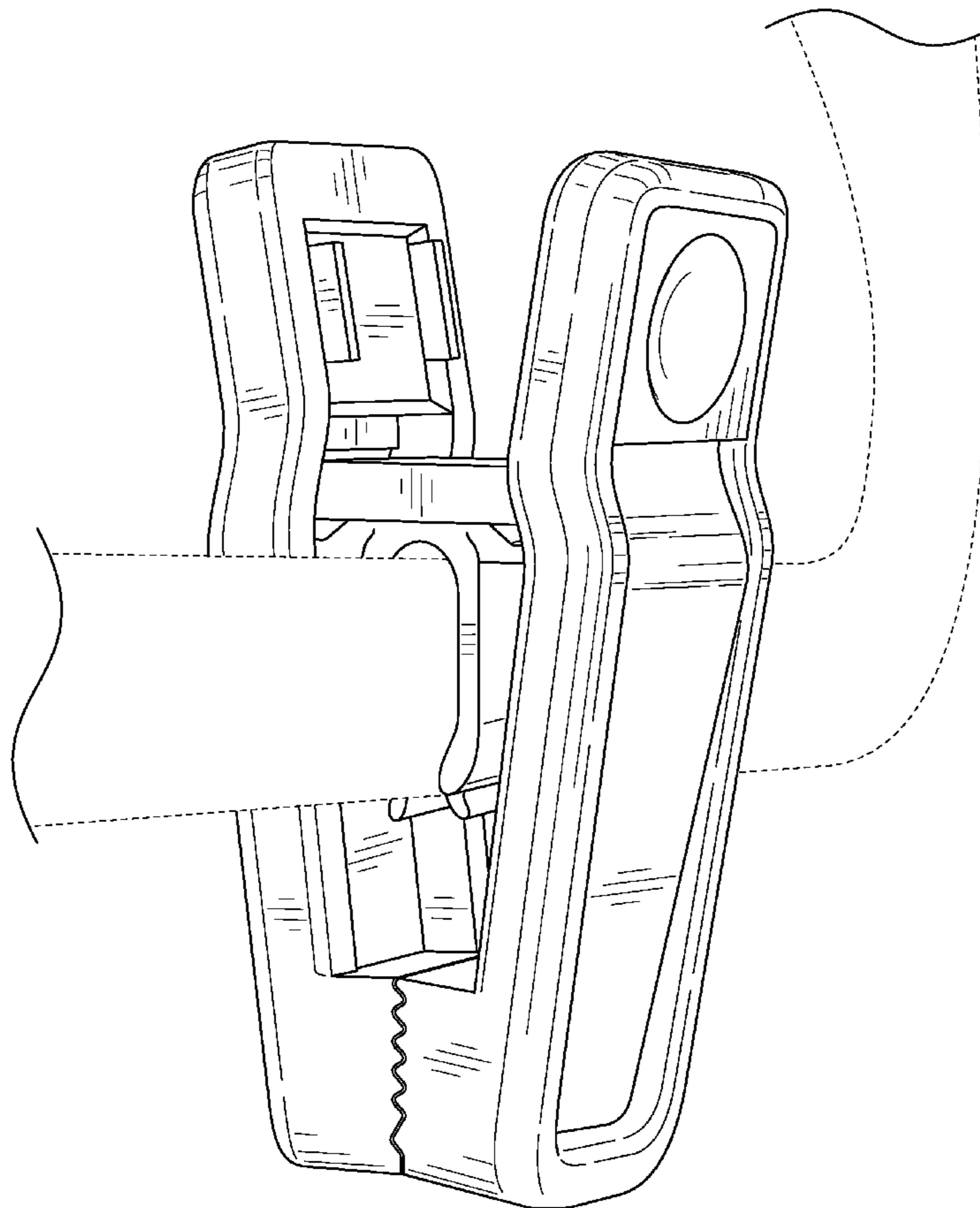
FIG. 1 is a front view of a hanger clip, the opposite side being a mirror image, showing my new design;

FIG. 2 is a side view thereof, the opposite side being a mirror image; and,

FIG. 3 is a perspective view thereof.

The dashed lines in the above figures represent unclaimed subject matter forming no part of the claimed design.

1 Claim, 3 Drawing Sheets



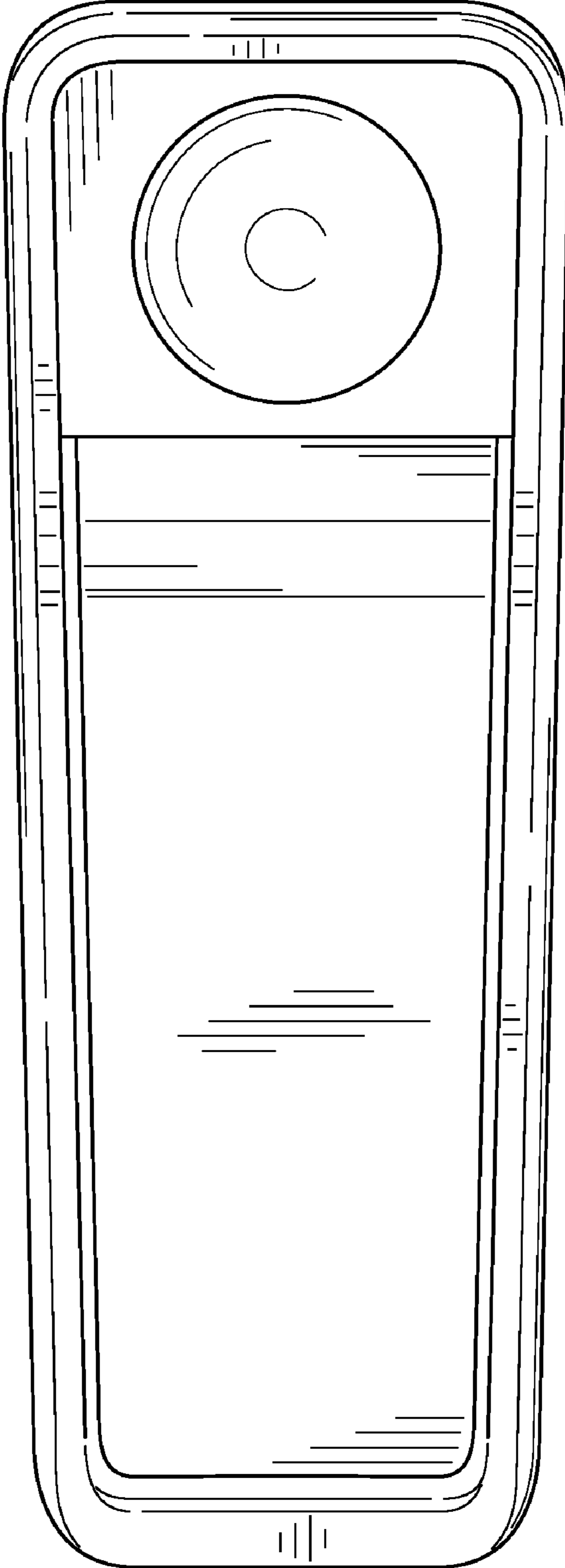


FIG. 1

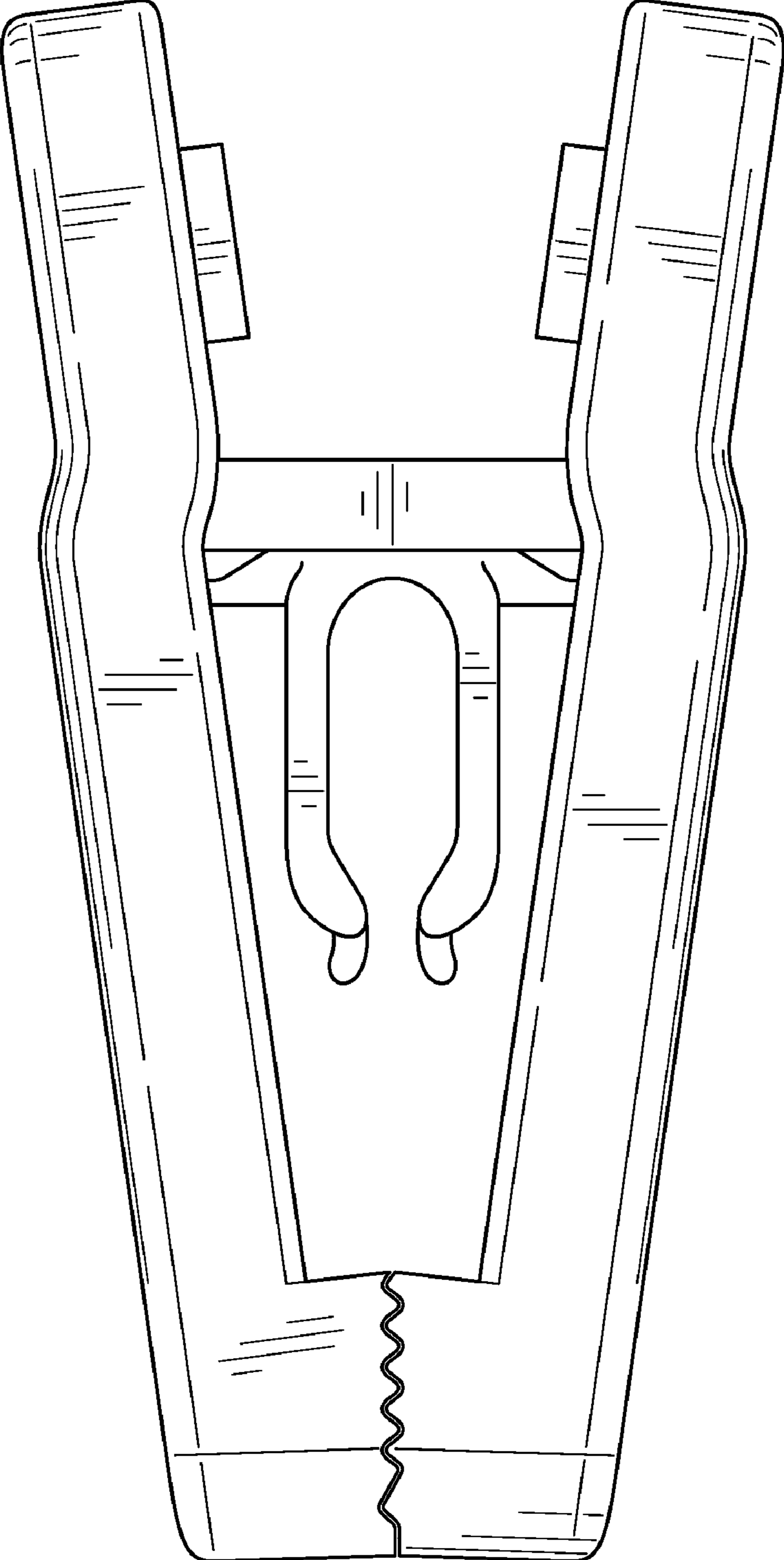


FIG. 2

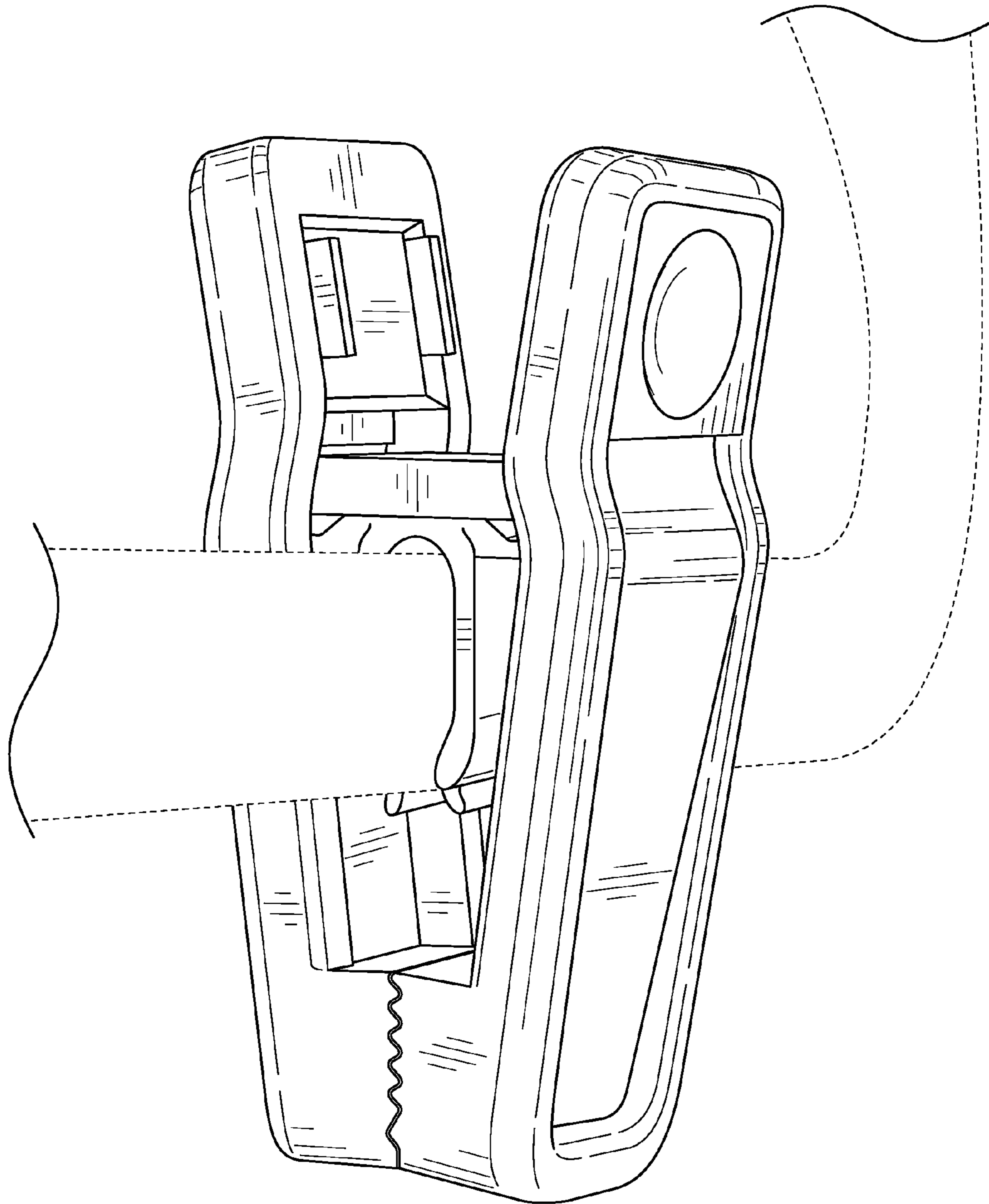


FIG. 3