



US00D621615S

(12) **United States Design Patent**  
**Stern**

(10) **Patent No.:** **US D621,615 S**

(45) **Date of Patent:** **\*\* Aug. 17, 2010**

(54) **PERSONAL EVACUATION ORGANIZING CASE**

(76) Inventor: **Mark Stern**, 3350 Park Blvd., #22, San Diego, CA (US) 92103

(\*\*) Term: **14 Years**

(21) Appl. No.: **29/350,124**

(22) Filed: **Nov. 11, 2009**

**Related U.S. Application Data**

(63) Continuation-in-part of application No. 11/627,367, filed on Jan. 25, 2007, now abandoned.

(51) **LOC (9) Cl.** ..... **03-01**

(52) **U.S. Cl.** ..... **D3/282**

(58) **Field of Classification Search** ..... D3/201, D3/203, 203.6, 282, 276.286, 273, 900, 903; 206/232, 373, 560, 572, 456, 457, 224, 225, 206/349; 220/4.21, 4.27; 190/19, 35, 109, 190/119, 111, 108, 100, 900; 340/570, 693.5, 340/321; 281/30, 31

See application file for complete search history.

(56) **References Cited**

**U.S. PATENT DOCUMENTS**

4,106,597	A *	8/1978	Shook et al.	.....	190/110
4,255,872	A	3/1981	Williams		
4,265,286	A	5/1981	Rapoport		
4,470,488	A	9/1984	Broussard		
D281,289	S	11/1985	Graham		
4,830,579	A *	5/1989	Cheng	.....	417/234
4,837,590	A	6/1989	Sprague		
4,861,305	A	8/1989	Wilson		
D319,947	S *	9/1991	Ryan	.....	D7/709
5,344,024	A *	9/1994	Cohu	.....	206/526
5,515,974	A	5/1996	Higson		
D376,475	S	12/1996	Simons		
5,848,700	A	12/1998	Horn		

6,012,786	A	1/2000	Dunn		
D439,408	S *	3/2001	Gibson et al.	.....	D3/282
6,244,400	B1	6/2001	Bowers		
6,454,097	B1	9/2002	Blanco		
6,752,092	B2	6/2004	Beattie		
6,772,896	B1	8/2004	Dobbin		
D507,877	S *	8/2005	Lin	.....	D3/282
D529,716	S *	10/2006	Wang	.....	D3/282
7,202,516	B2 *	4/2007	Belyansky et al.	.....	257/274
D548,958	S *	8/2007	Ballman et al.	.....	D3/218
D602,692	S *	10/2009	Wu	.....	D3/282
D604,510	S *	11/2009	Cho	.....	D3/282
2002/0043534	A1	4/2002	Uke		
2005/0087534	A1	4/2005	Harris		
2006/0290135	A1	12/2006	Altman		

\* cited by examiner

*Primary Examiner*—Prabhakar Deshmukh

(74) *Attorney, Agent, or Firm*—Catalyst Law Group, APC

(57) **CLAIM**

I claim the ornamental design for a personal evacuation organizing case, as shown and described.

**DESCRIPTION**

FIG. 1 is a perspective view of a personal evacuation organizing case showing my new design;

FIG. 2 is a top plan view thereof;

FIG. 3 is a front elevational view thereof, the rear elevational view being a mirror image thereof;

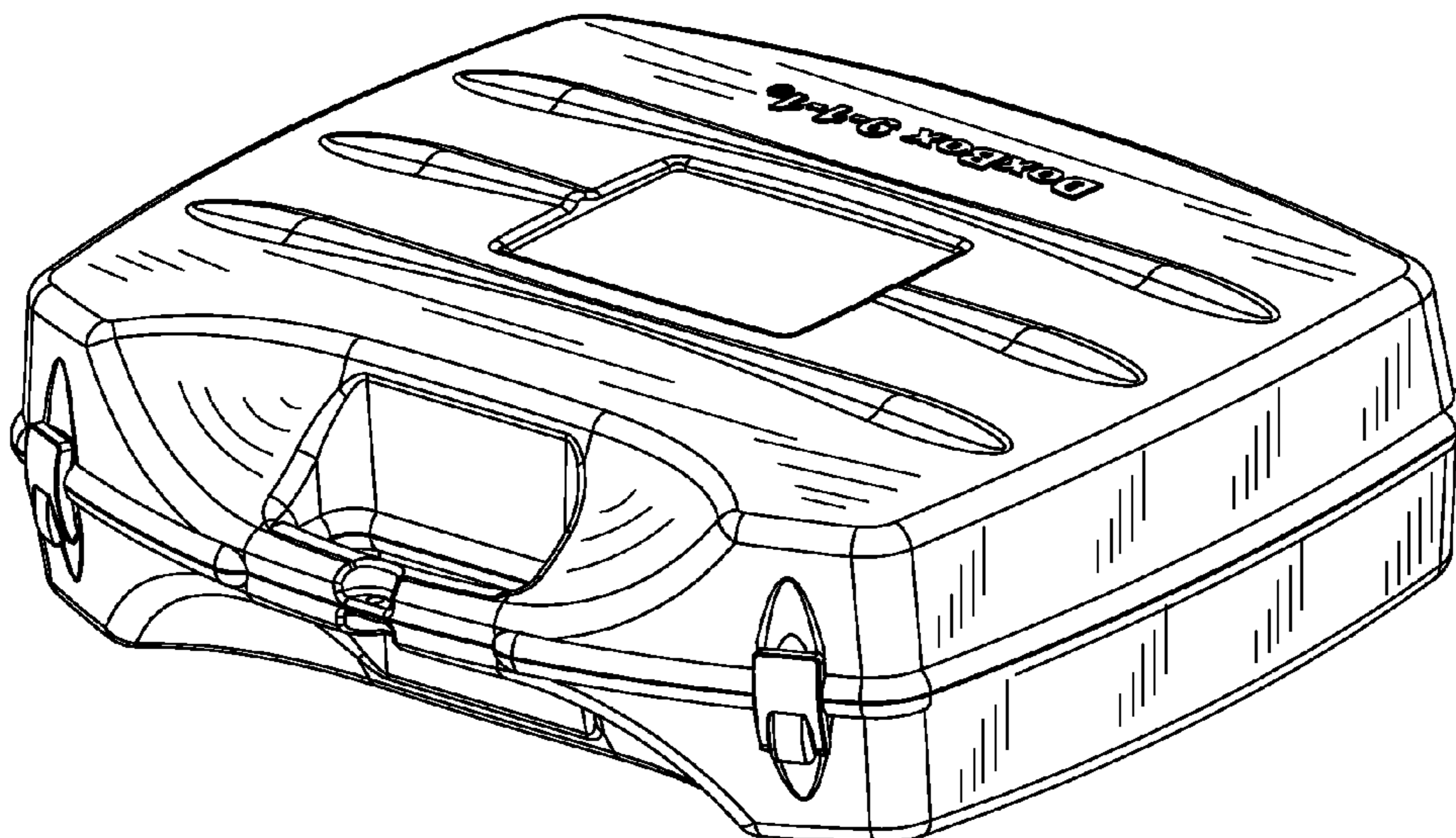
FIG. 4 is a bottom plan view thereof; and,

FIG. 5 is a right side elevational view thereof, the left side elevational view being a mirror image thereof.

Any broken line illustration of environmental structure in the drawing is not part of the design sought to be patented.

The DoxBox 9-1-1 forming part of the claimed design is a registered trademark of Stern Mark.

**1 Claim, 3 Drawing Sheets**



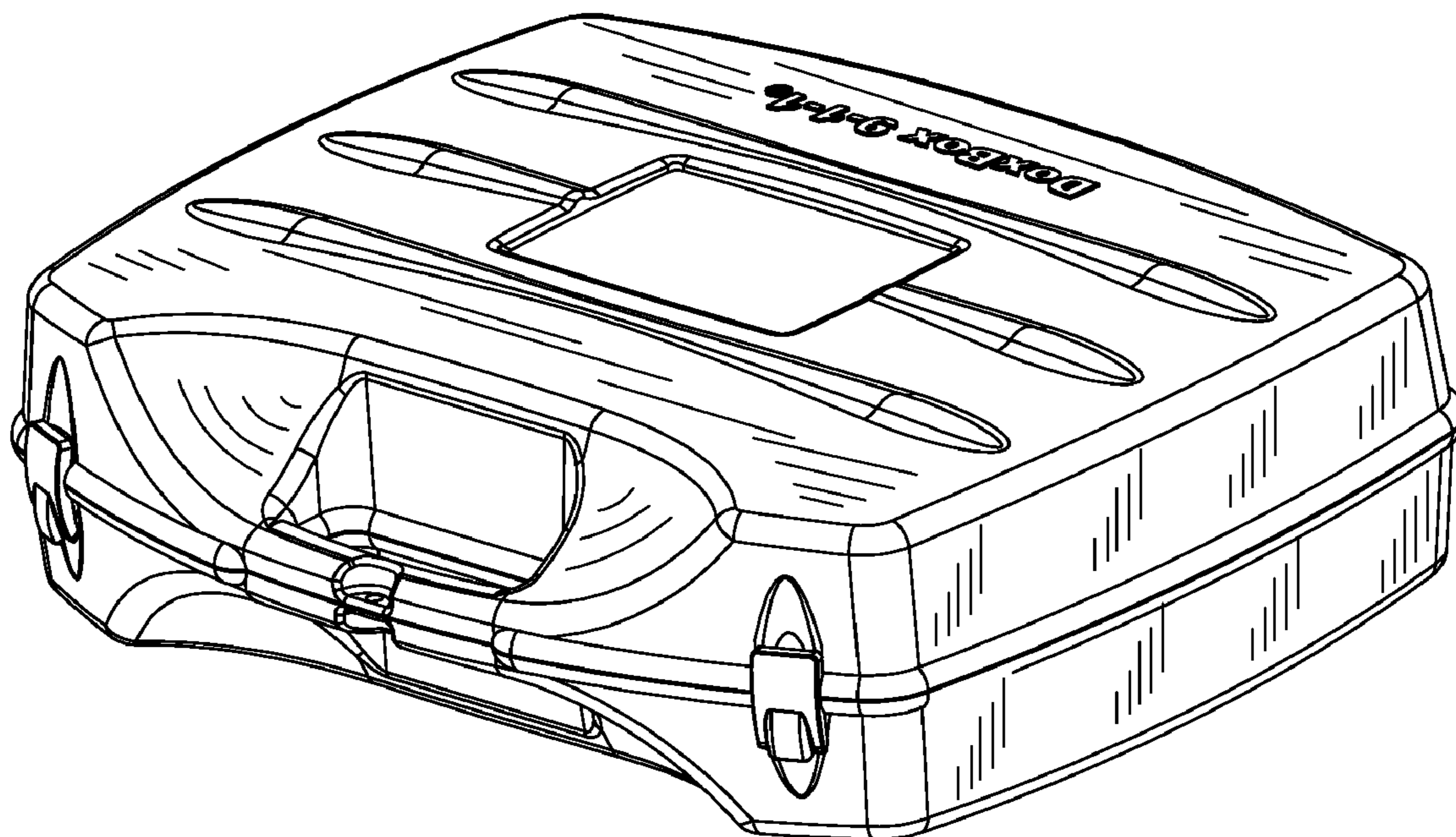


Fig. 1

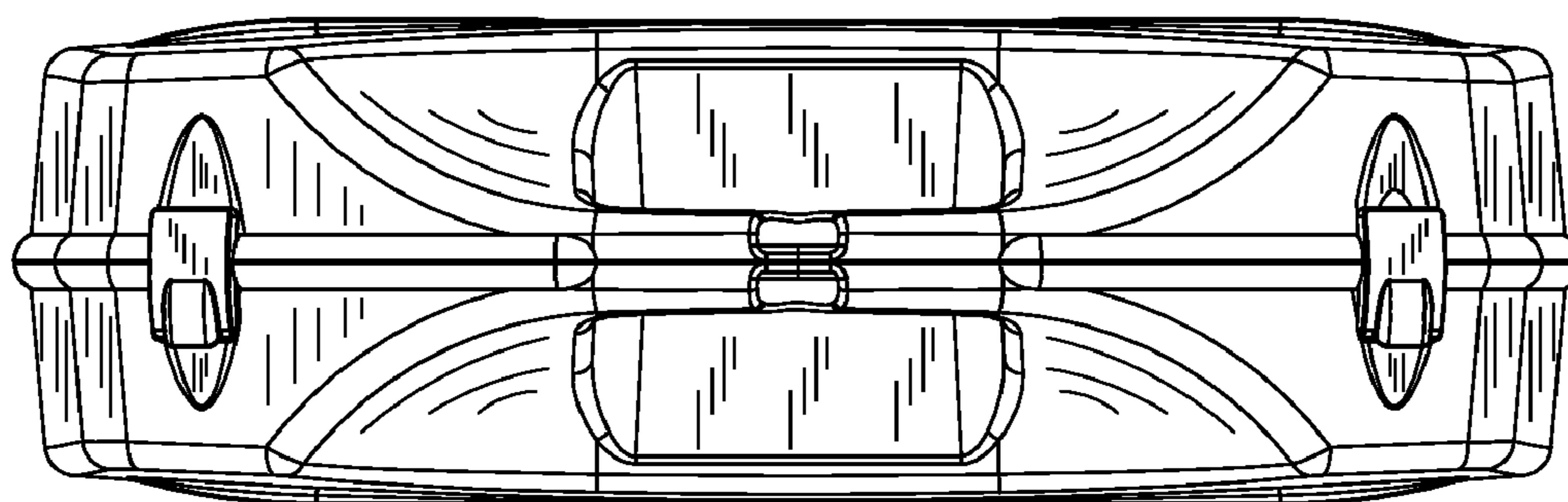


Fig. 2

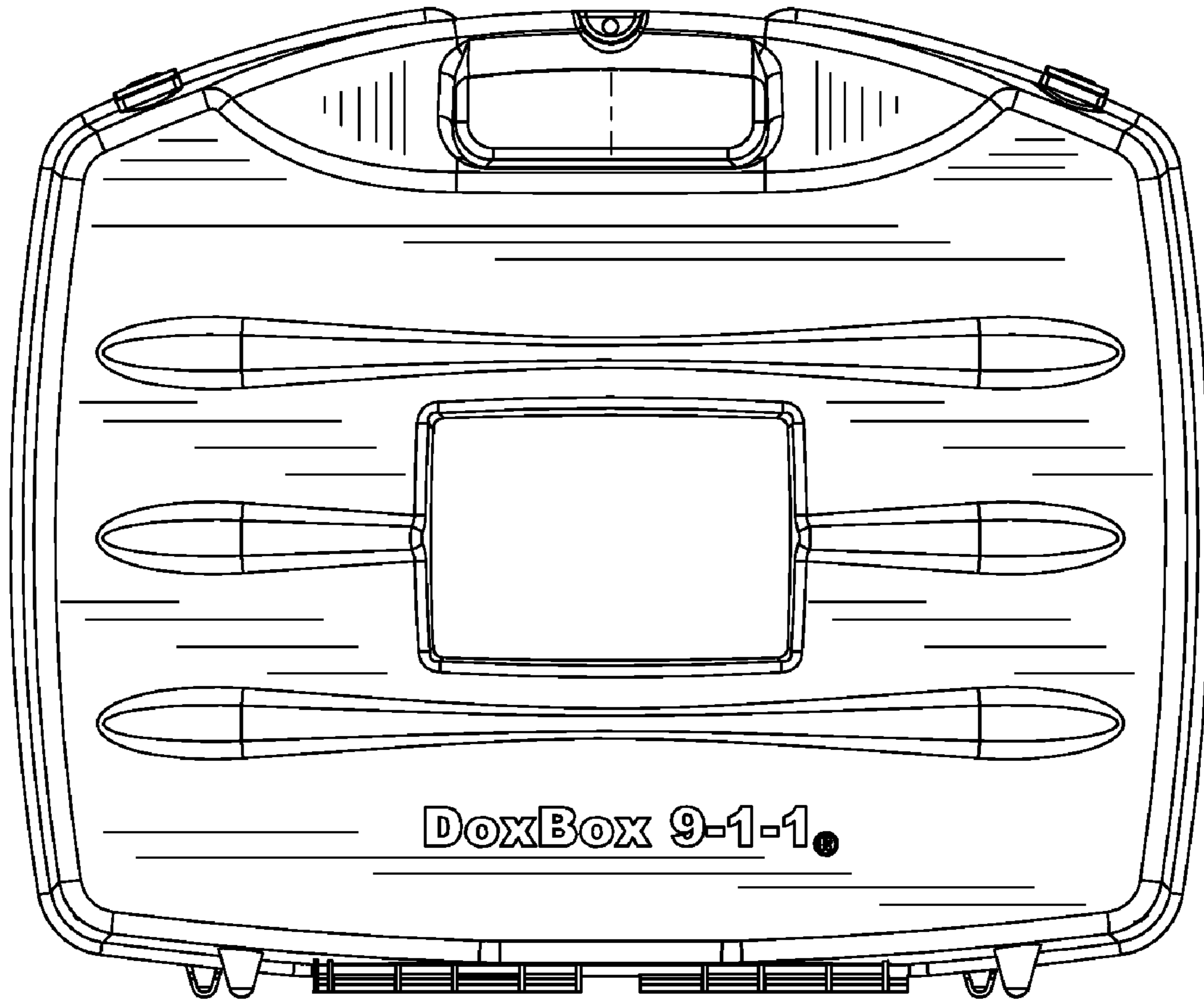


Fig. 3

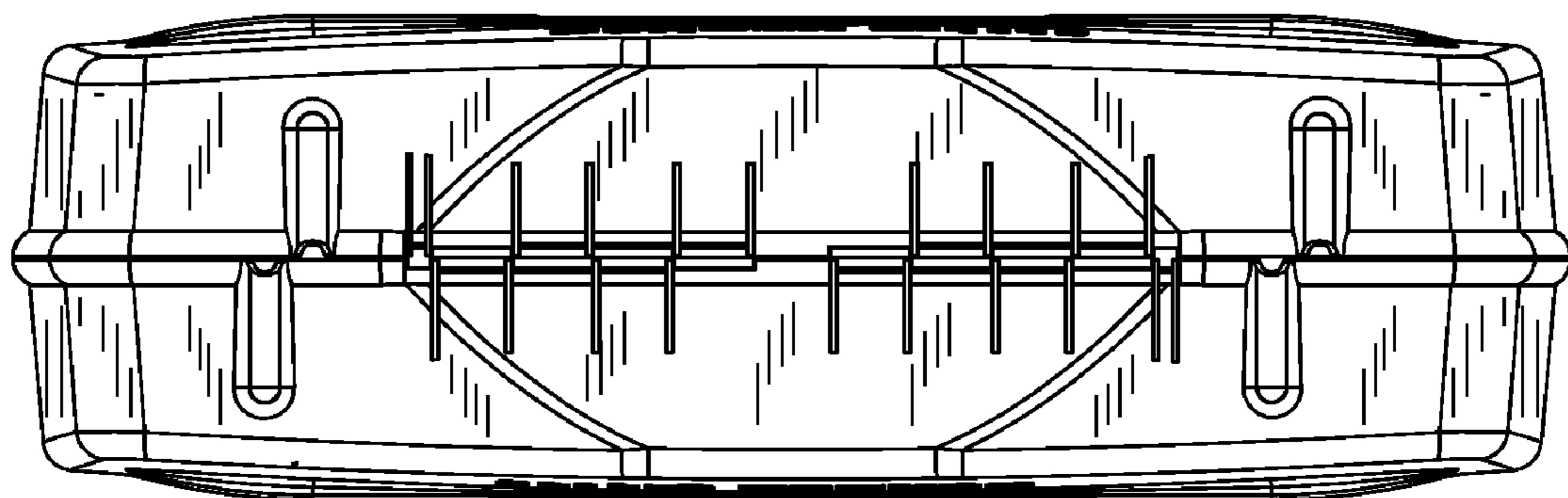


Fig. 4

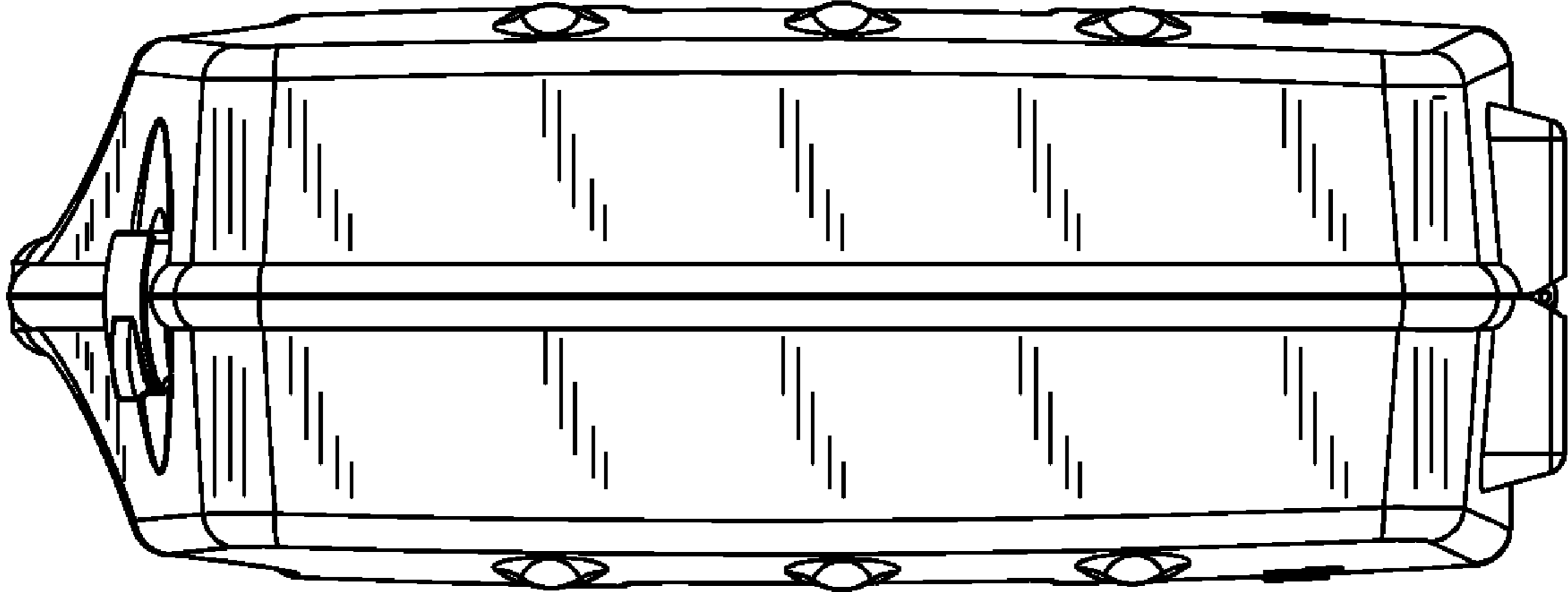


Fig. 5