



US00D621613S

(12) **United States Design Patent**
Suk

(10) **Patent No.:** **US D621,613 S**

(45) **Date of Patent:** **** Aug. 17, 2010**

(54) **SACHEL BAG**

D607,203 S * 1/2010 Zvirblis D3/232

(75) Inventor: **Jennifer Suk**, New York, NY (US)

* cited by examiner

(73) Assignee: **Steven Madden, Ltd.**, Long Island City, NY (US)

Primary Examiner—Holly H Baynham
(74) *Attorney, Agent, or Firm*—Ostrolenk Faber LLP

(**) Term: **14 Years**

(57) **CLAIM**

(21) Appl. No.: **29/350,759**

The ornamental design for a satchel bag, as shown and described.

(22) Filed: **Nov. 23, 2009**

DESCRIPTION

(51) **LOC (9) Cl.** **03-01**

(52) **U.S. Cl.** **D3/245**

(58) **Field of Classification Search** D3/232–233,
D3/240–246; 150/100, 103–110, 113–114,
150/118–119

FIG. 1 is a perspective view of the satchel bag showing the new design, including front, top and right sides;

FIG. 2 is a front elevation view thereof;

FIG. 3 is a left side elevation view thereof, the right side elevation view being a mirror image;

FIG. 4 is a rear elevation view thereof;

FIG. 5 is a top plan view thereof; and,

FIG. 6 is a bottom plan view thereof.

See application file for complete search history.

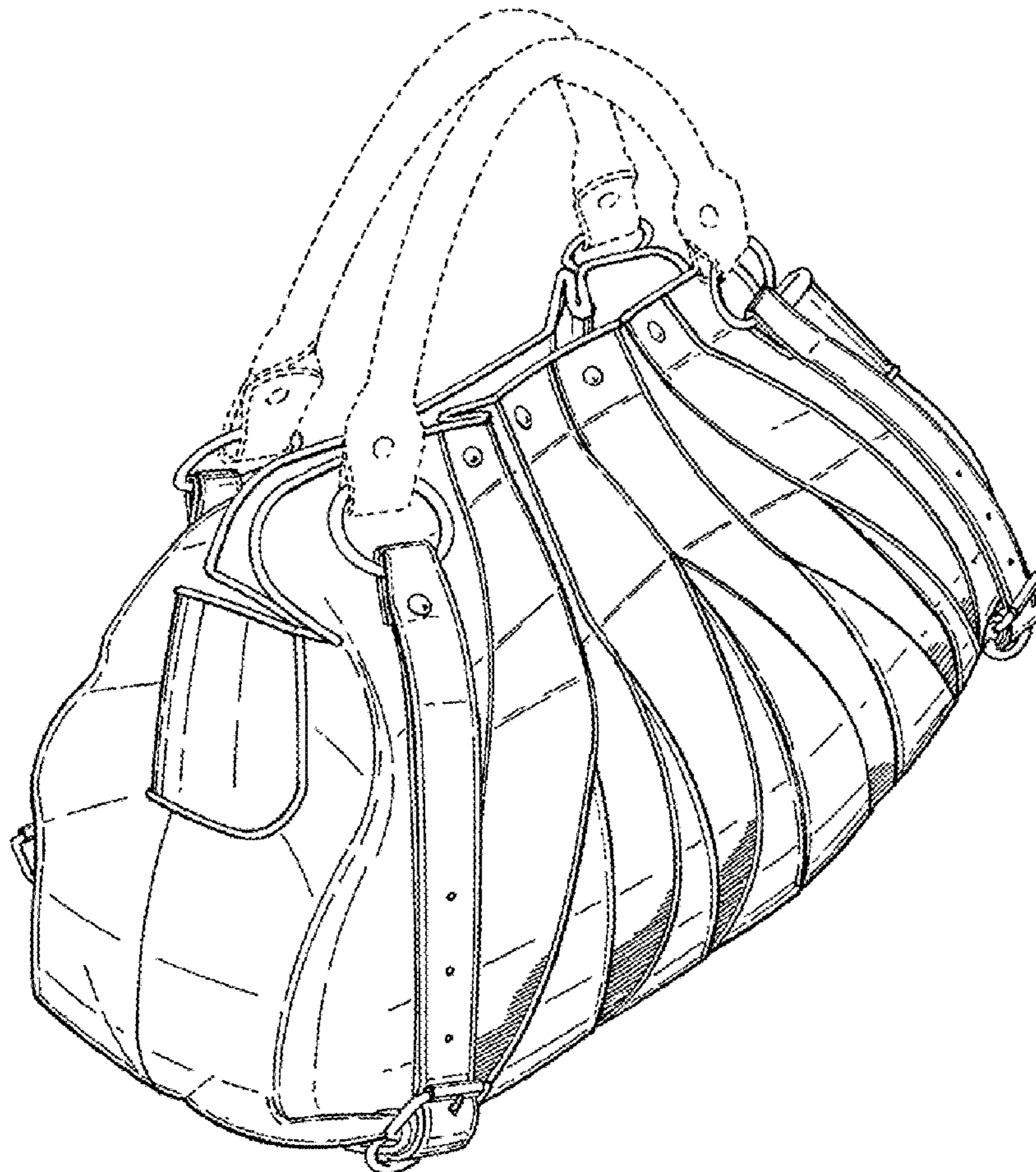
The portion illustrated in broken line is environmental material only, and forms no part of the claimed design.

(56) **References Cited**

U.S. PATENT DOCUMENTS

D128,315 S *	7/1941	Lewis	D3/241
D139,382 S *	11/1944	Hiltbrand	D3/241
D140,551 S *	3/1945	Deutz	D3/233
D228,819 S *	10/1973	Resnick	D3/241
D596,843 S *	7/2009	Zvirblis	D3/232

1 Claim, 6 Drawing Sheets



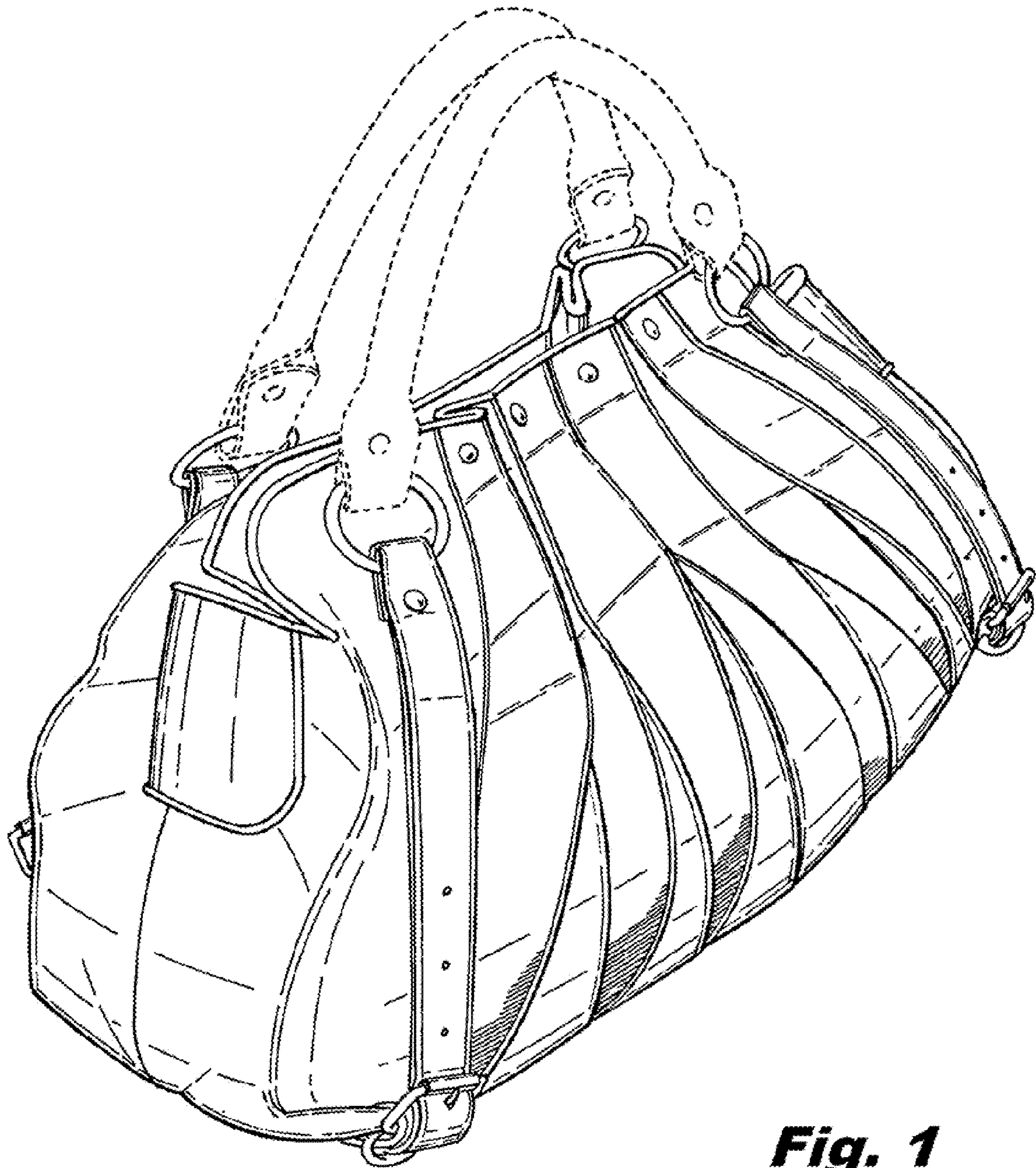
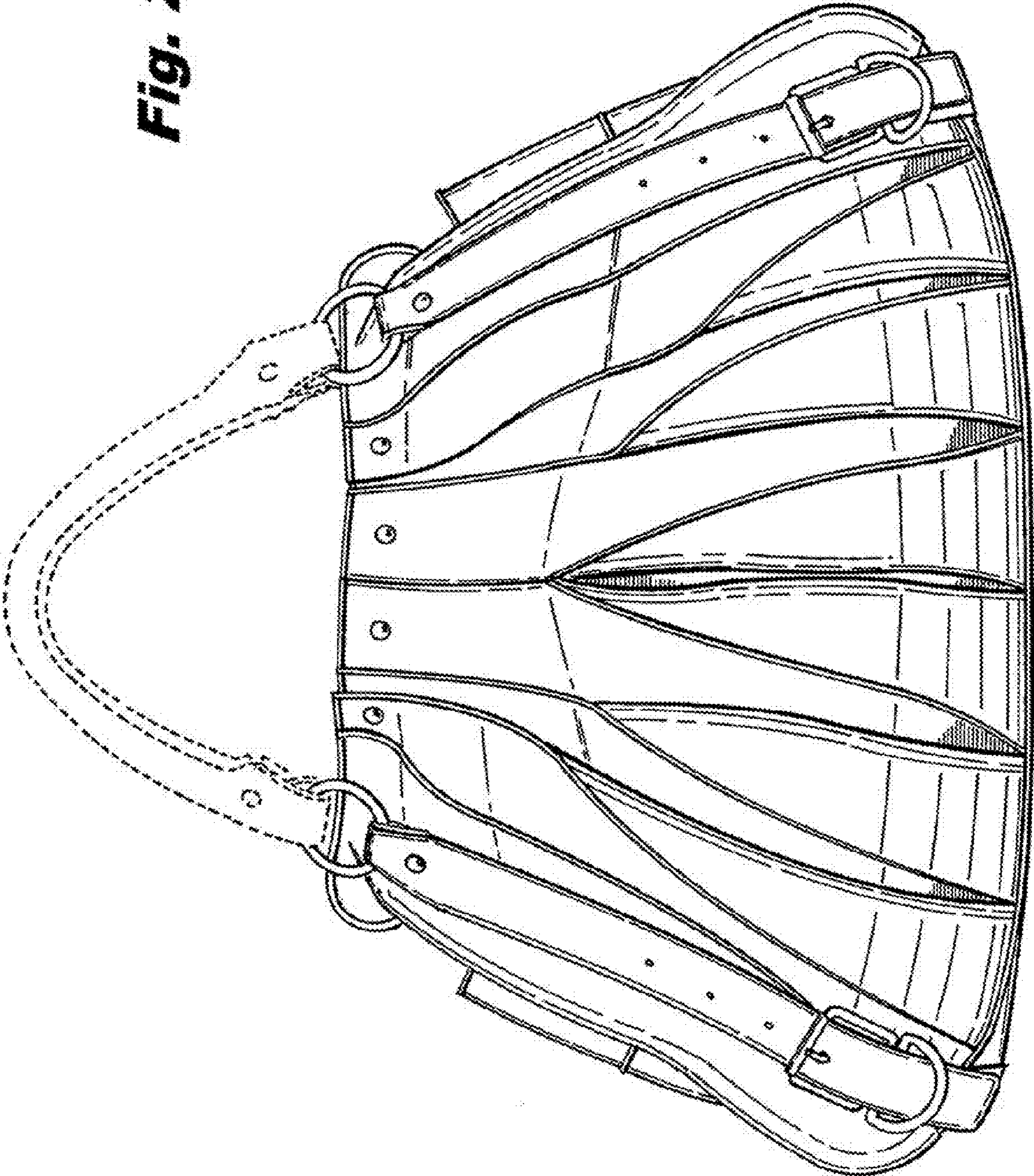


Fig. 1

Fig. 2



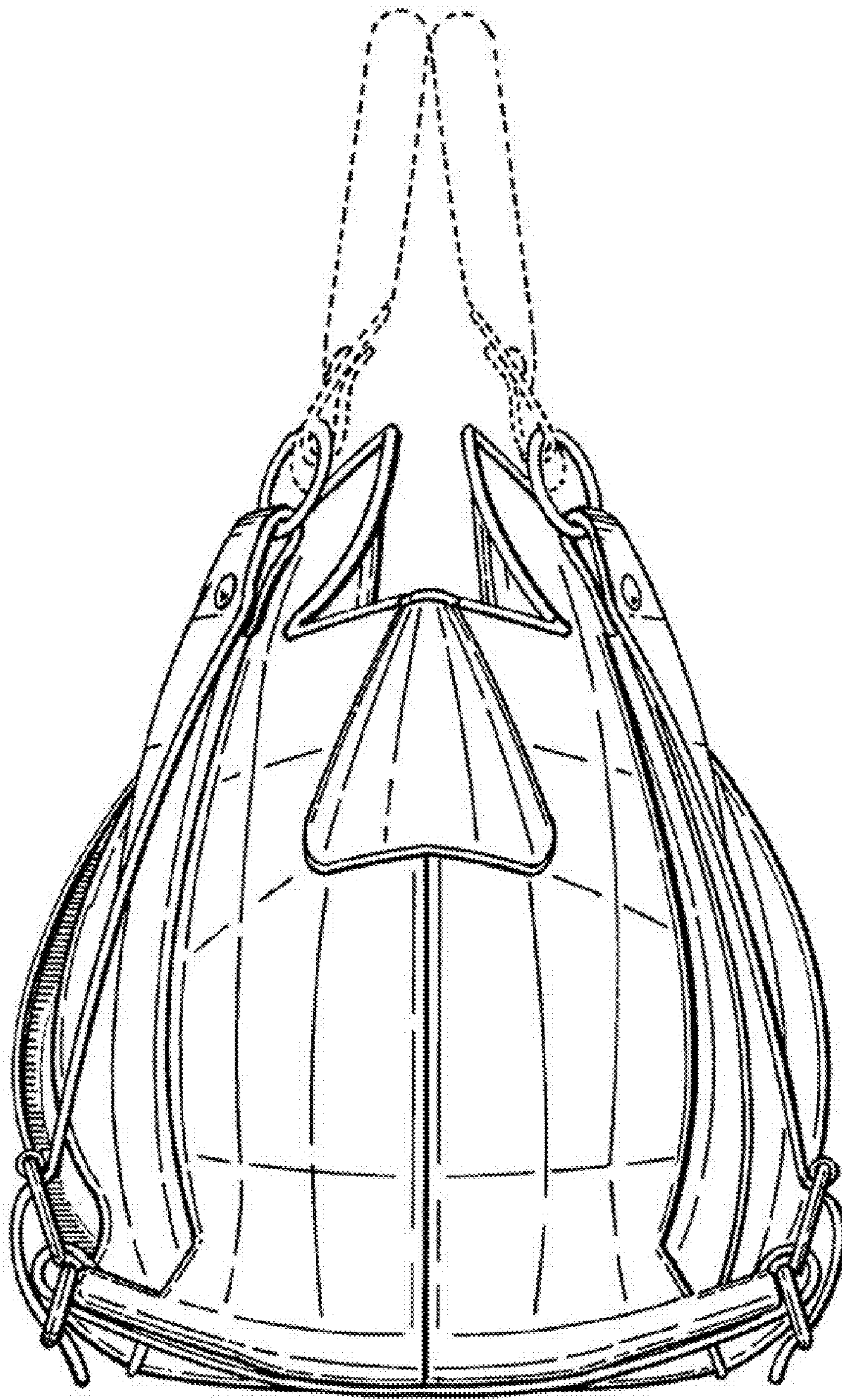
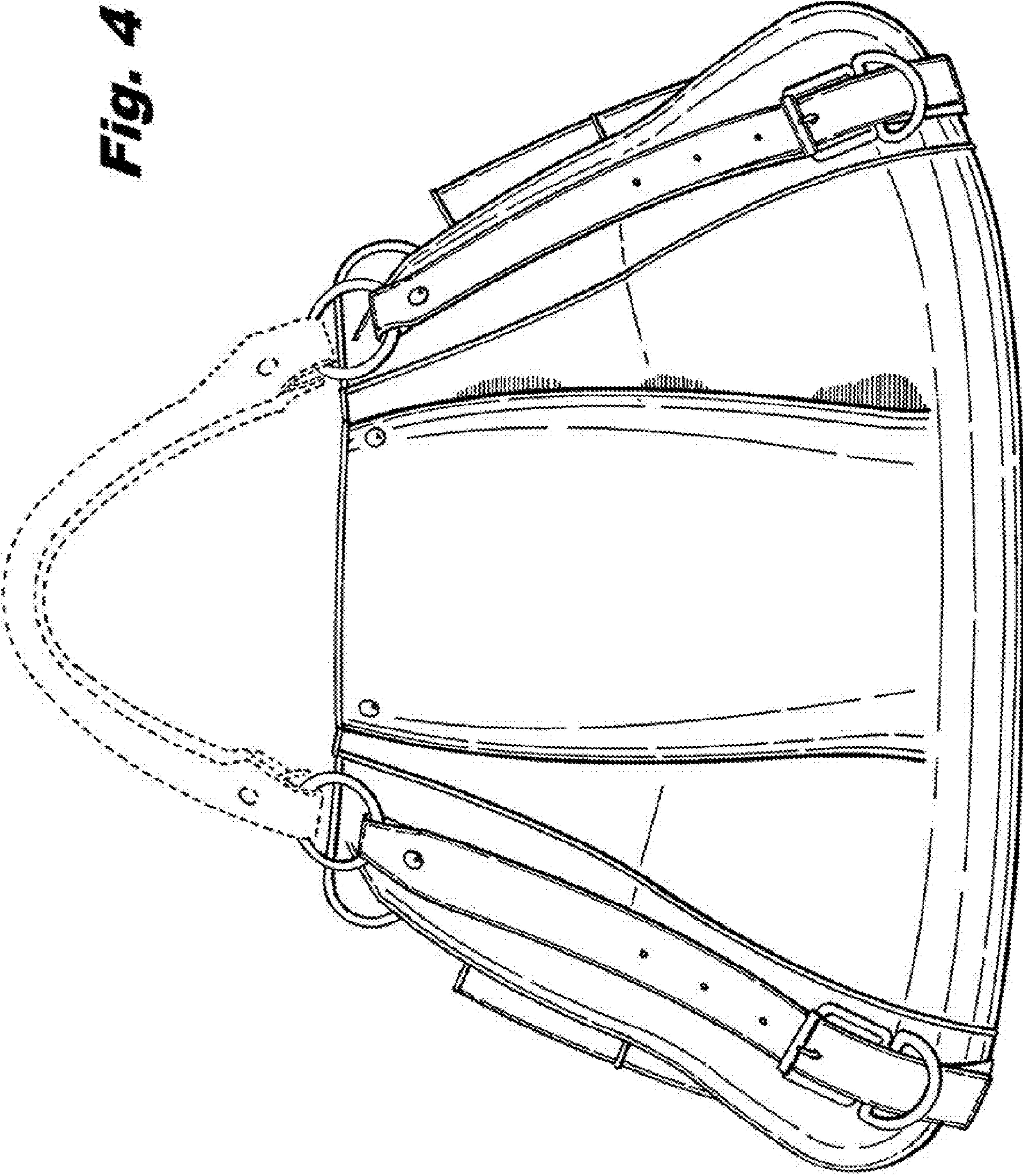


Fig. 3

Fig. 4



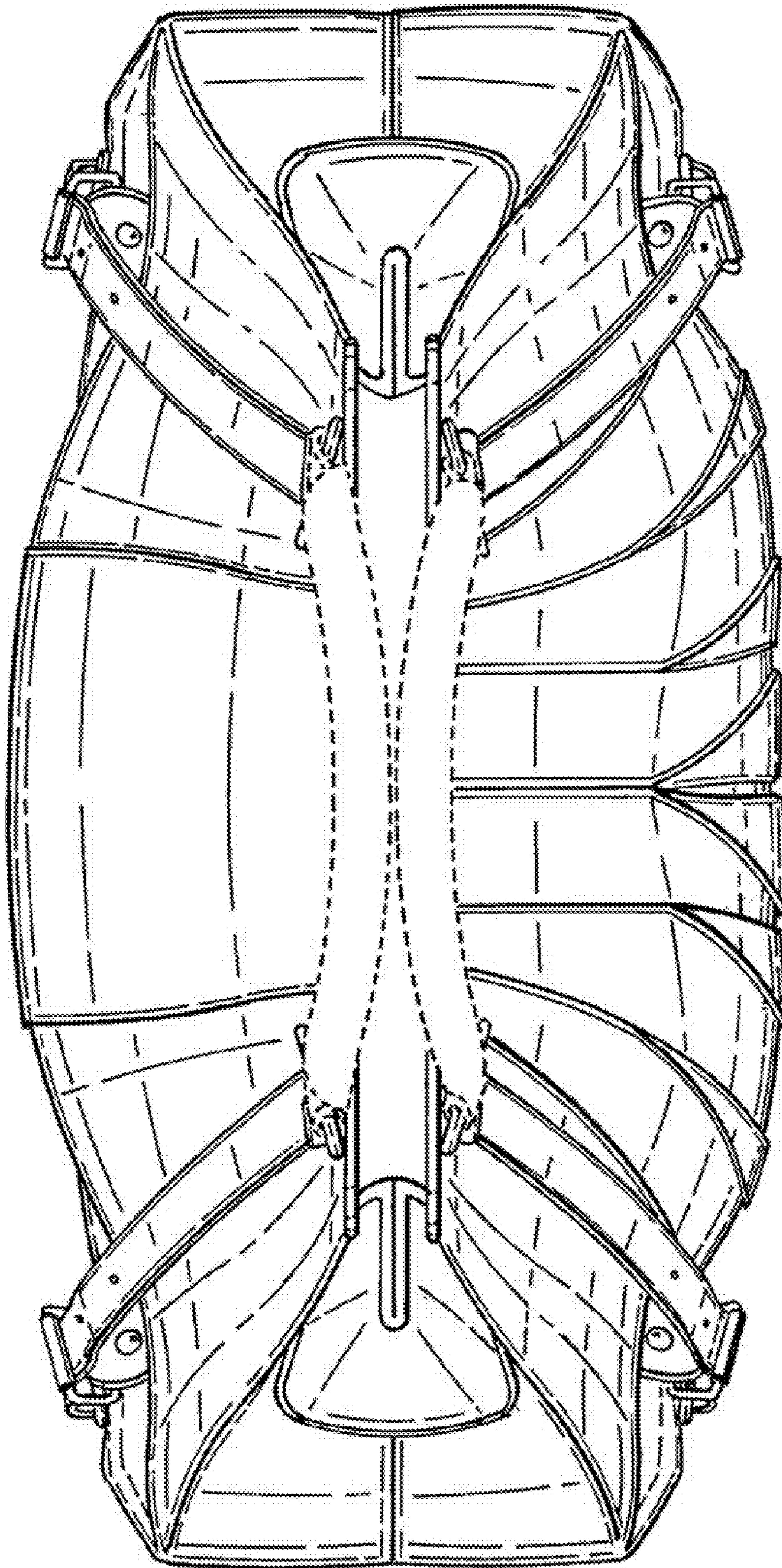


Fig. 5

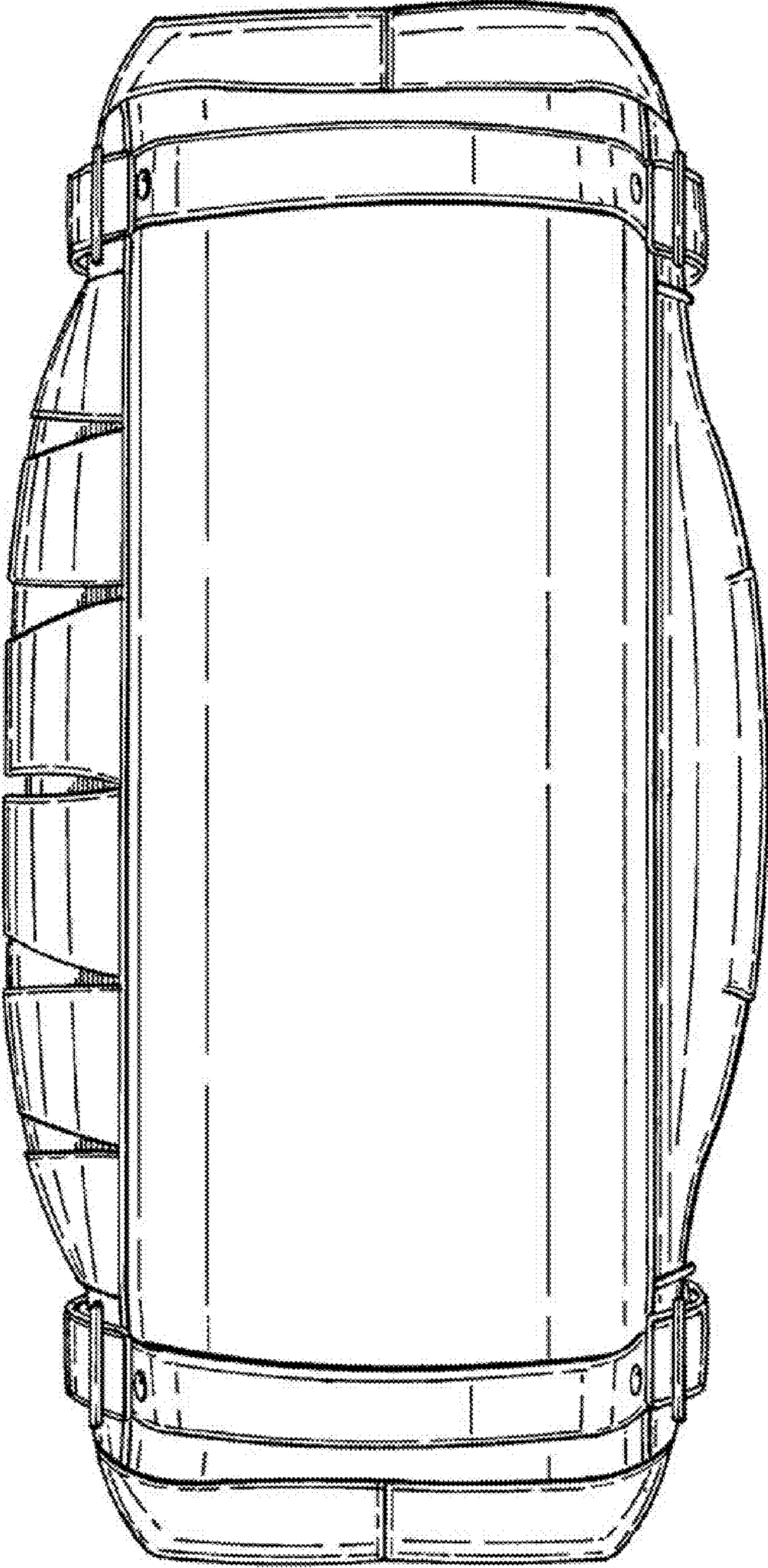


Fig. 6