



US00D621610S

(12) **United States Design Patent**  
**Parsley et al.**

(10) **Patent No.:** **US D621,610 S**

(45) **Date of Patent:** **\*\* \*Aug. 17, 2010**

(54) **BAG**

D596,847 S \* 7/2009 Nelson ..... D3/232

(75) Inventors: **Craig Alan Parsley**, Greenwood, AR (US); **Christopher James Niklas**, Naperville, IL (US); **Peter A. Grable**, Glenview, IL (US)

\* cited by examiner

*Primary Examiner*—Holly H Baynham  
(74) *Attorney, Agent, or Firm*—McDonnell Boehnen Hulbert & Berghoff LLP

(73) Assignee: **Klein Tools, Inc.**, Lincolnshire, IL (US)

(57) **CLAIM**

(\* ) Notice: This patent is subject to a terminal disclaimer.

The ornamental design for a bag, as shown and described.

(\*\*) Term: **14 Years**

**DESCRIPTION**

(21) Appl. No.: **29/343,782**

FIG. 1 is the perspective view of a bag showing the new design;

(22) Filed: **Sep. 18, 2009**

FIG. 2 is a left side elevational view thereof;

(51) **LOC (9) Cl.** ..... **03-01**

(52) **U.S. Cl.** ..... **D3/232**

(58) **Field of Classification Search** ..... D3/205,  
D3/232–233, 240–246, 318, 324; 150/100,  
150/103–110, 113–114, 118–119

FIG. 3 is a front elevational view thereof;

FIG. 4 is a right side elevational view thereof;

FIG. 5 is a rear elevational view thereof;

FIG. 6 is a bottom plan view thereof; and,

FIG. 7 is a top plan view thereof.

See application file for complete search history.

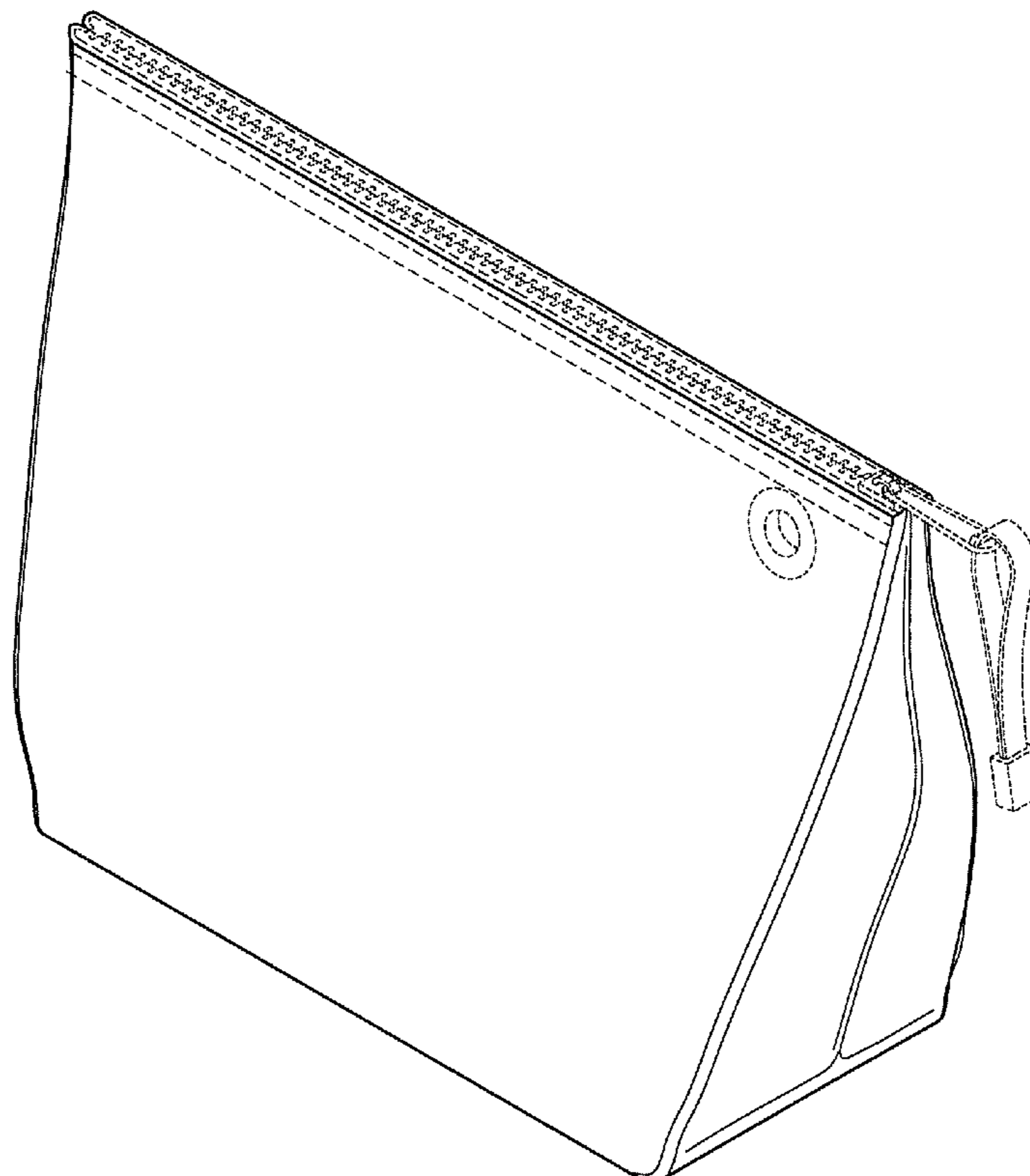
The broken line showing of the closing mechanism and the pull tab, indicated by a first broken line, and the stitching, indicated by a second and longer broken line are for the purpose of showing environmental structure and forms no part of the claimed design.

(56) **References Cited**

**U.S. PATENT DOCUMENTS**

D249,593 S \* 9/1978 Glaser ..... D3/245  
D502,804 S \* 3/2005 Delafontaine ..... D3/243

**1 Claim, 4 Drawing Sheets**



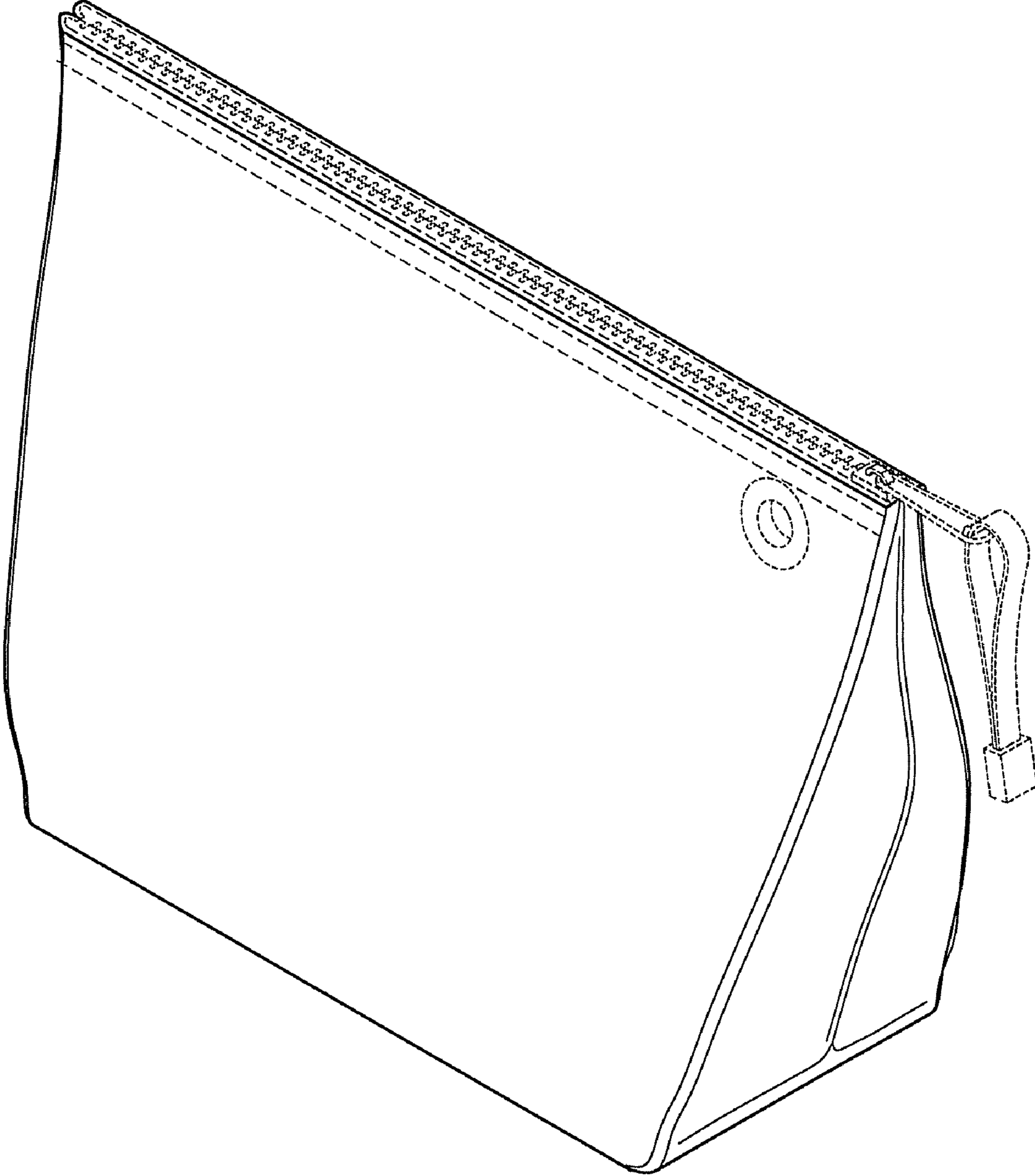


FIG. 1

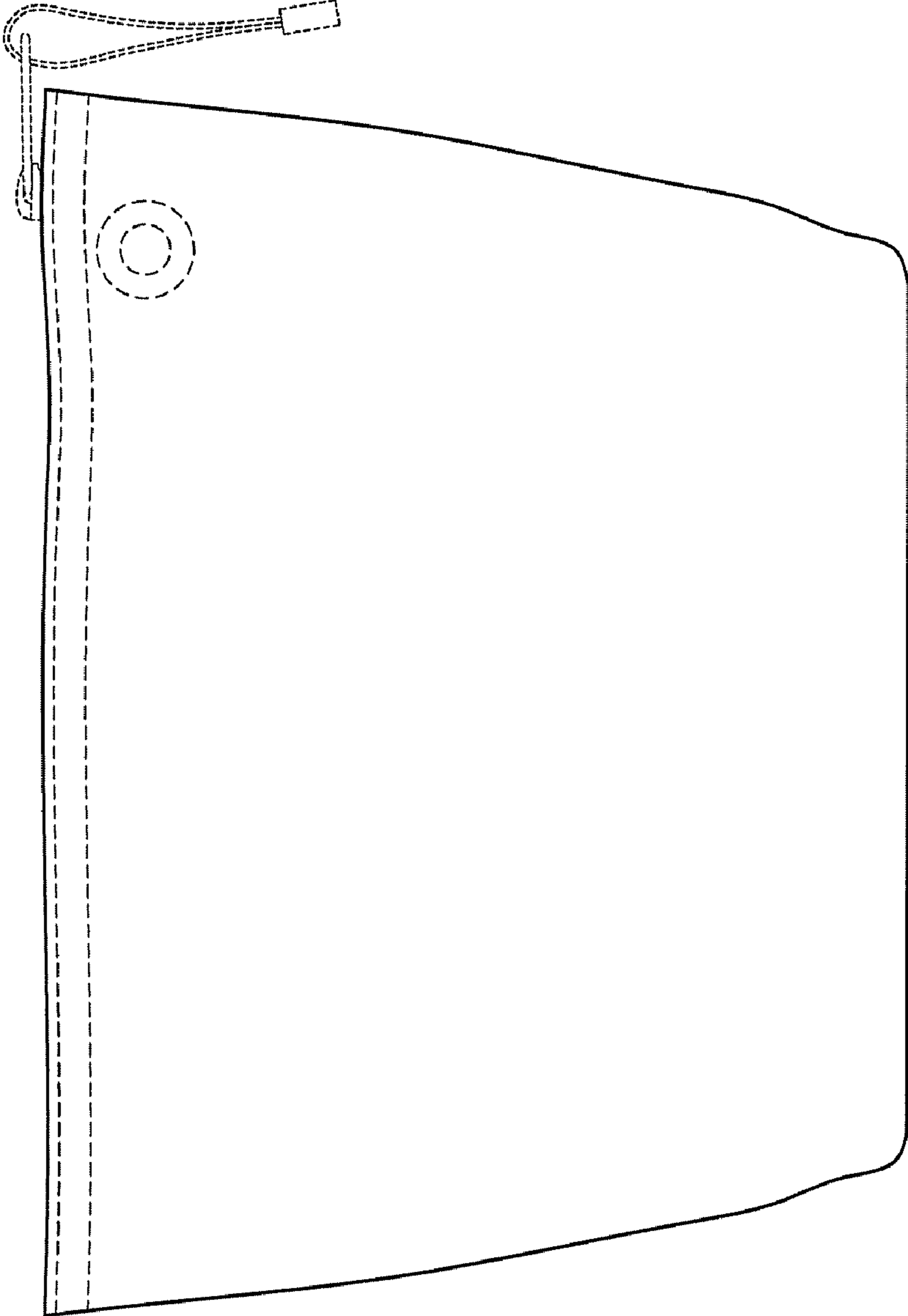


FIG. 3

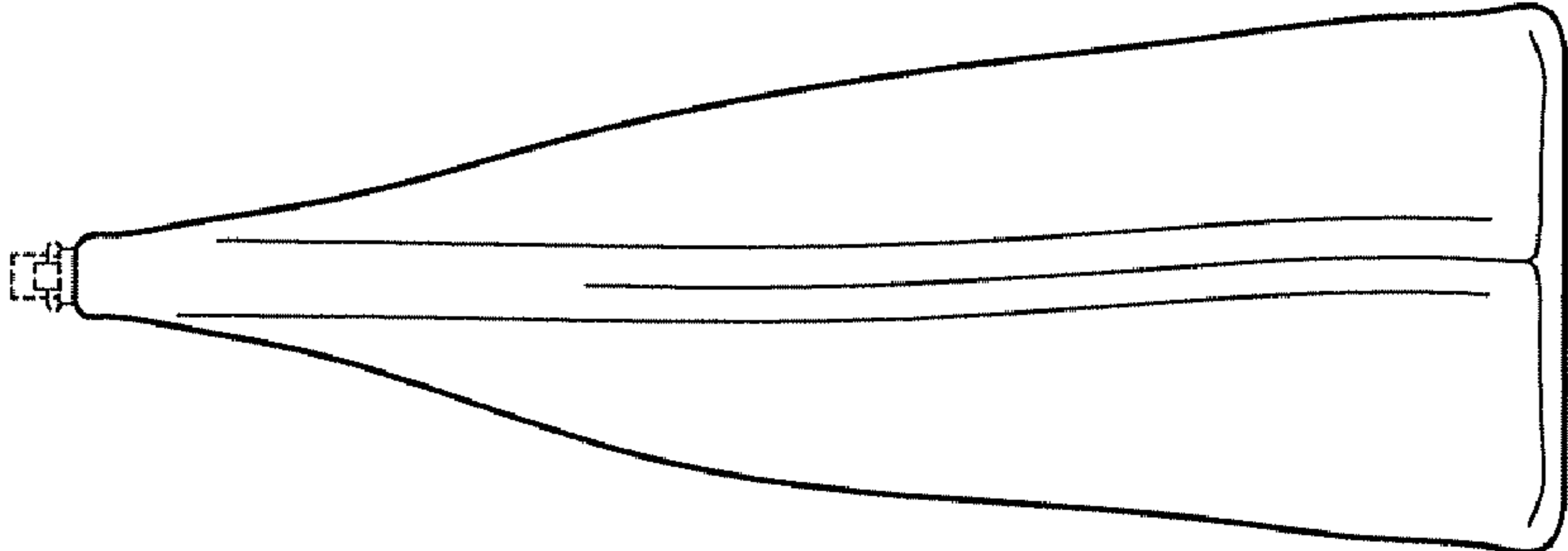


FIG. 2

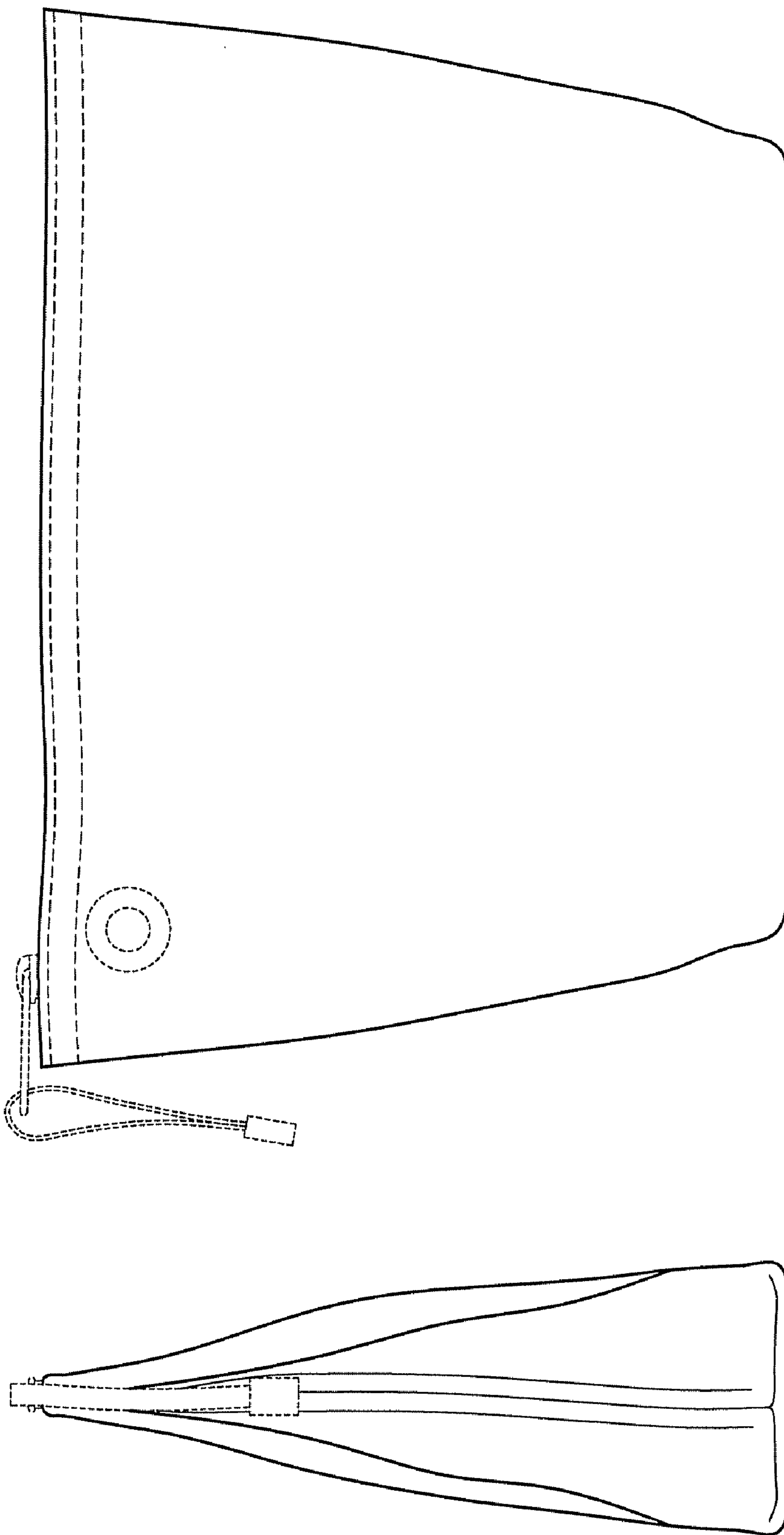


FIG. 5

FIG. 4

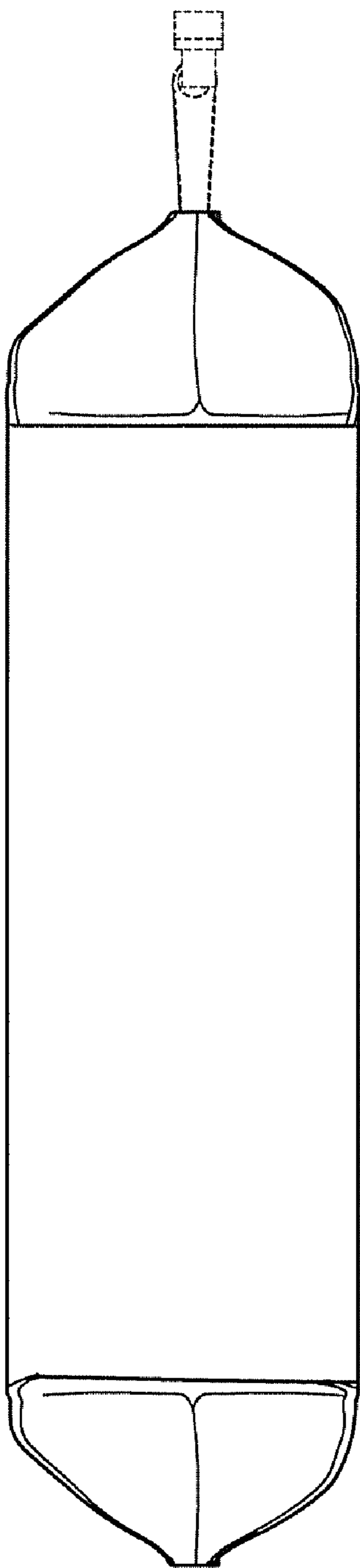


FIG. 6

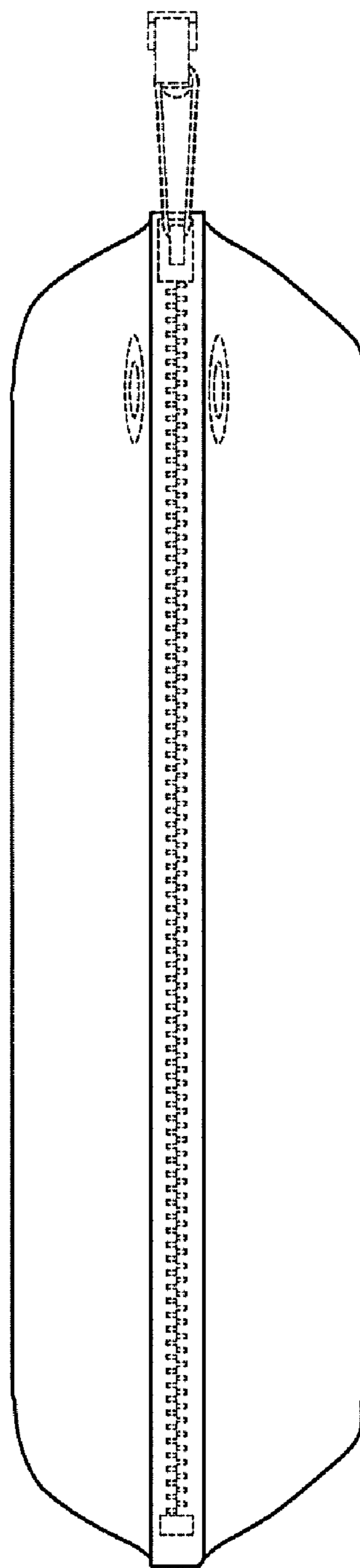


FIG. 7