



US00D621609S

(12) **United States Design Patent**  
**Hasty**

(10) **Patent No.:** **US D621,609 S**

(45) **Date of Patent:** **\*\* Aug. 17, 2010**

(54) **FOLDABLE BAG**

(75) Inventor: **Lucy Hasty**, 2350 rue Ste-Marguerite,  
#7, Trois-Rivières, QC (CA) G8Z 4N3

(73) Assignee: **Lucy Hasty**, Trois - Rivieres, Quebec  
(CA)

(\*\*) Term: **14 Years**

(21) Appl. No.: **29/307,784**

(22) Filed: **May 13, 2008**

(30) **Foreign Application Priority Data**

Nov. 22, 2007 (CA) ..... 123384

(51) **LOC (9) Cl.** ..... **03-01**

(52) **U.S. Cl.** ..... **D3/232**

(58) **Field of Classification Search** ..... D3/232-233,  
D3/240-246, 318, 324; 150/100, 103-110,  
150/118-119

See application file for complete search history.

(56) **References Cited**

**U.S. PATENT DOCUMENTS**

4,989,656 A \* 2/1991 Derfler ..... 150/108

D418,976 S \* 1/2000 du Sartel ..... D3/243

D507,107 S \* 7/2005 Goldberg ..... D3/246

\* cited by examiner

*Primary Examiner*—Holly H Baynham

(57) **CLAIM**

The ornamental design for a foldable bag, as shown and described.

**DESCRIPTION**

FIG. 1 is a front view of a foldable bag embodying the design of the present invention, wherein the bag is in a closed position;

FIG. 2 is a rear view of the bag in a closed position;

FIG. 3 is a perspective view of the bag in a closed position;

FIG. 4 is a perspective view of the bag in a first opening state;

FIG. 5 is a perspective view of the bag in a second opening state;

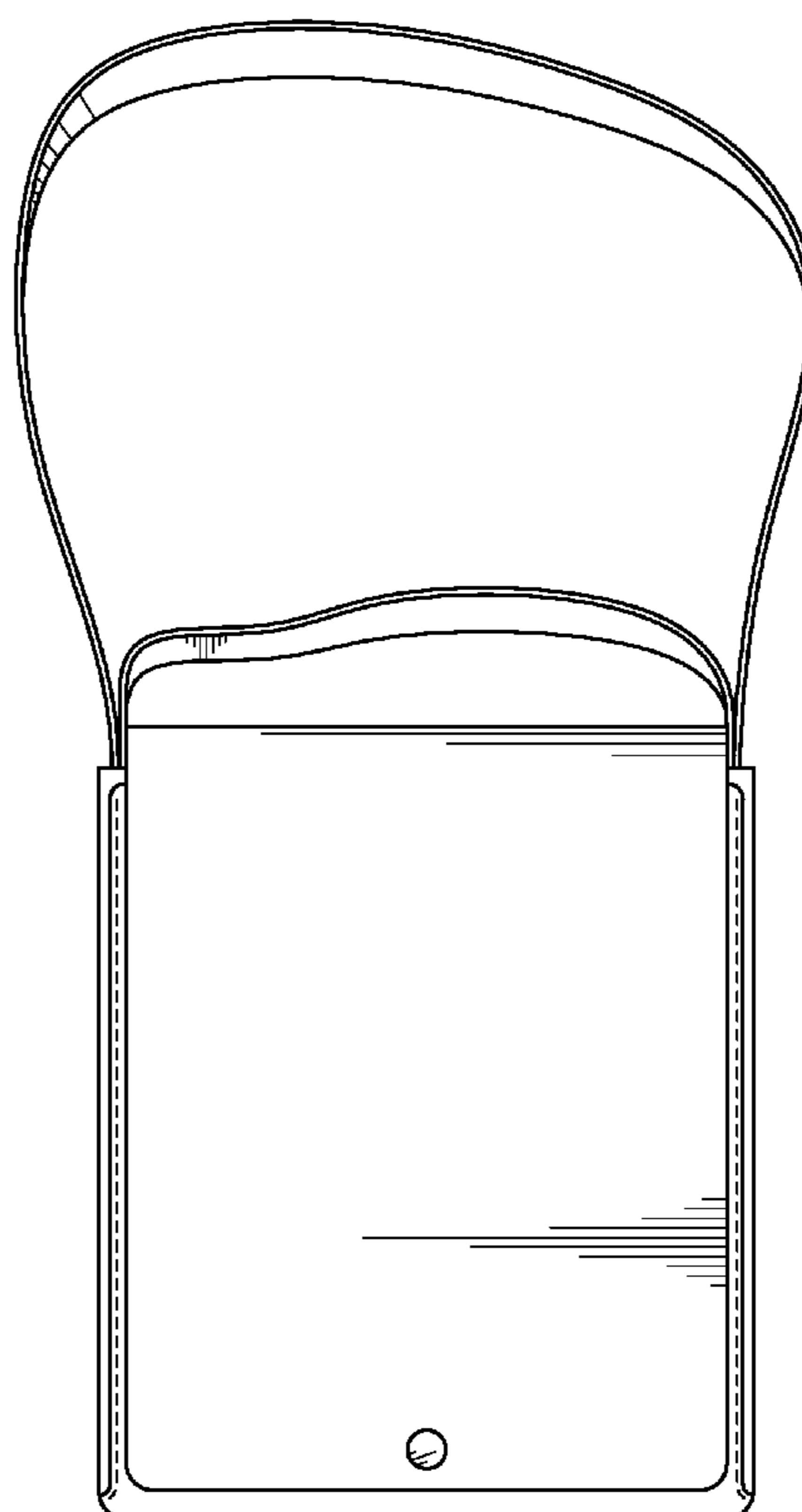
FIG. 6 is a perspective view of the bag towards a third opening state;

FIG. 7 is a perspective front view of the bag in a fully opened state, with the bottom of the folded bag shown; and,

FIG. 8 is a perspective view of the bag in a fully opened and unfolded position.

The broken lines shown on the disclosure represent stitching and forms part of the claimed design.

**1 Claim, 8 Drawing Sheets**



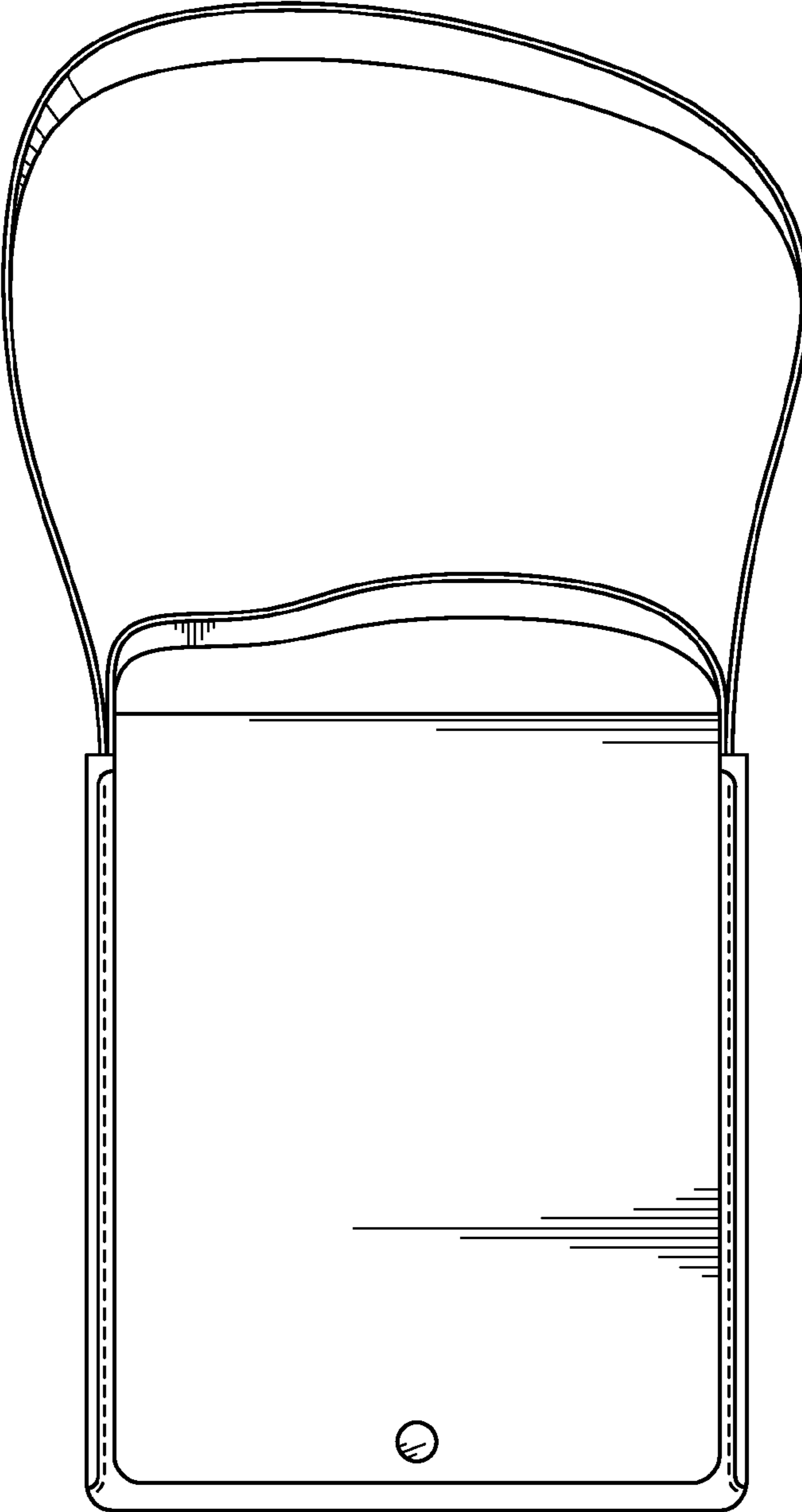


FIG. 1

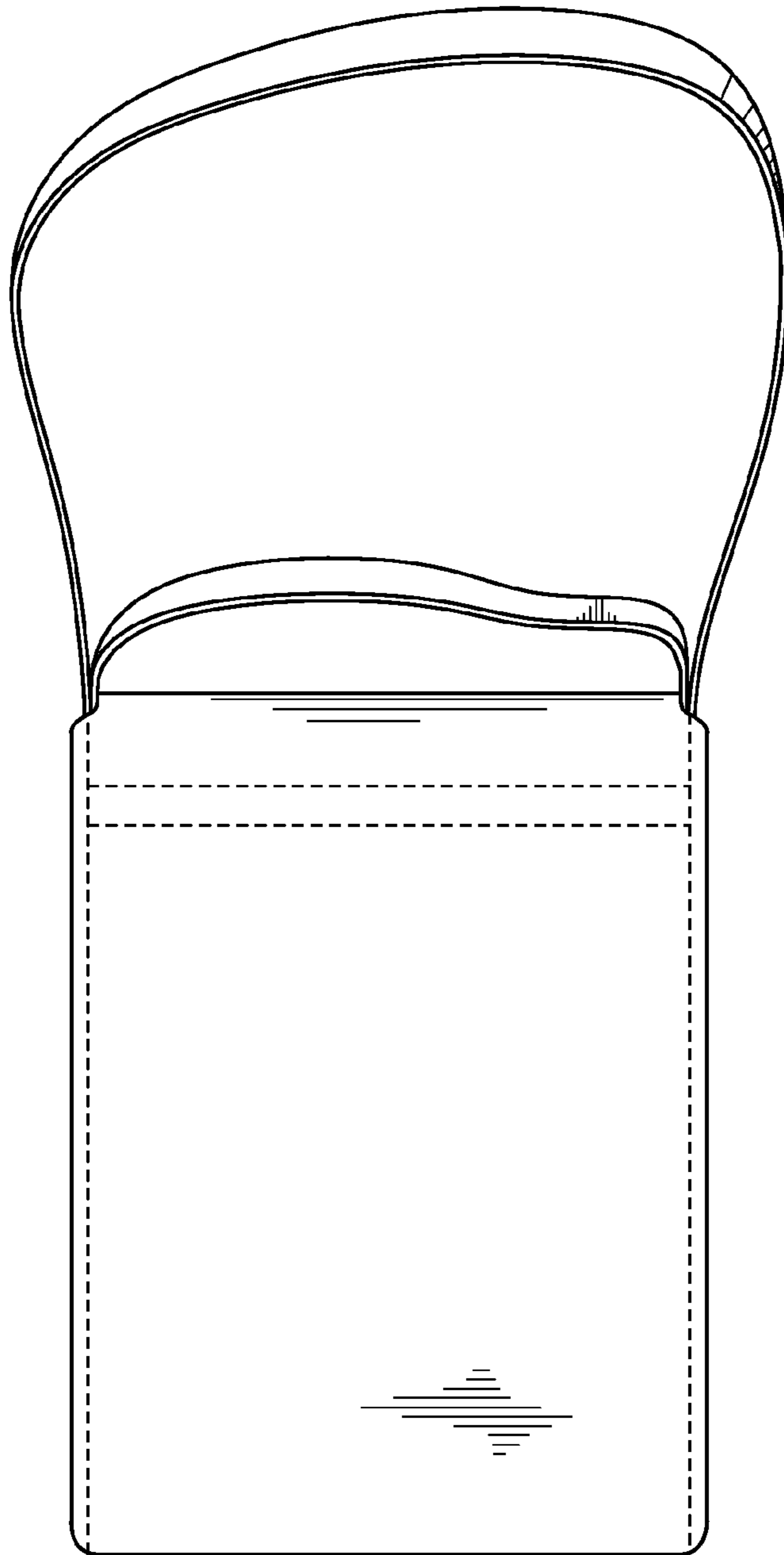


FIG. 2

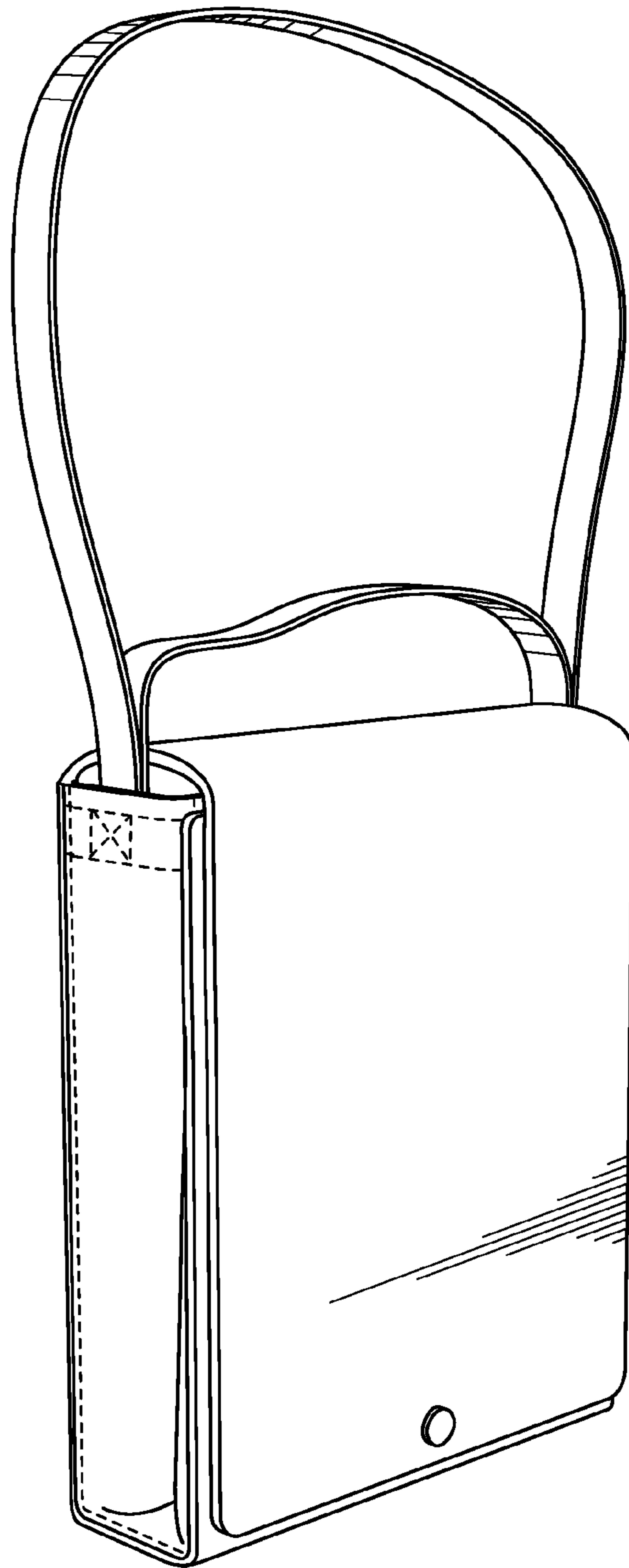


FIG. 3

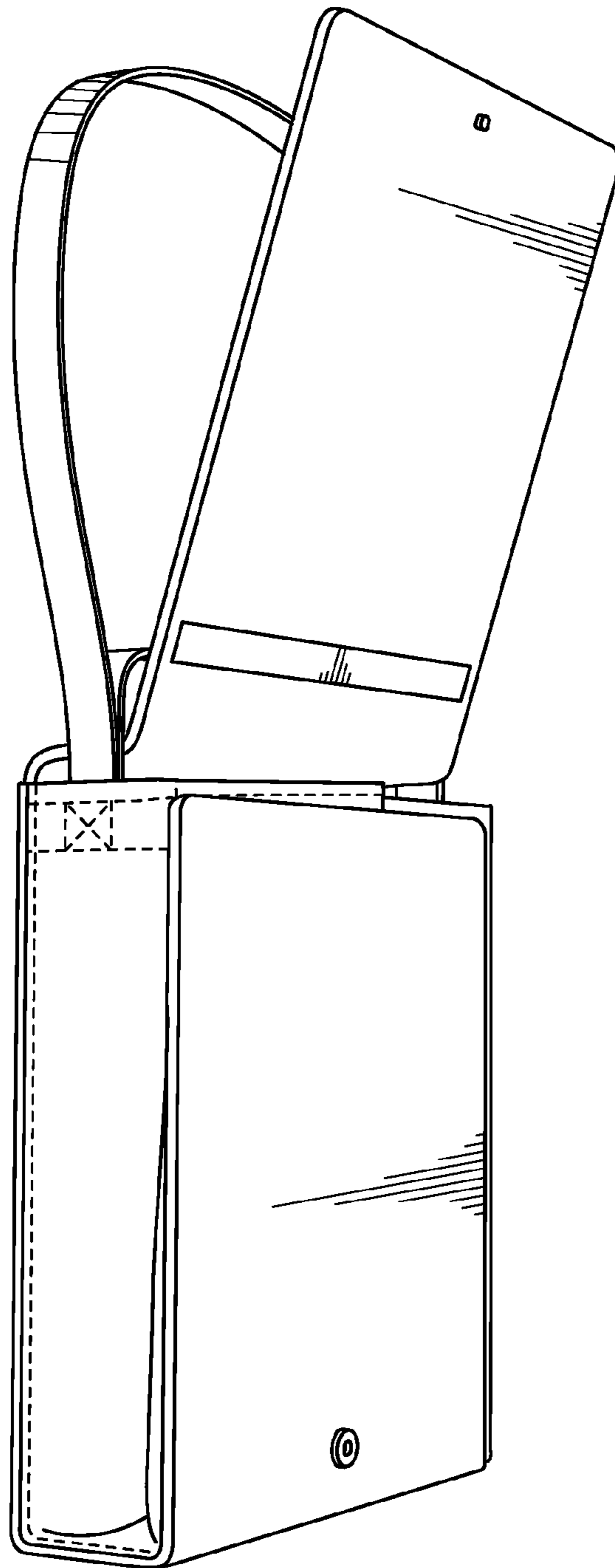


FIG. 4

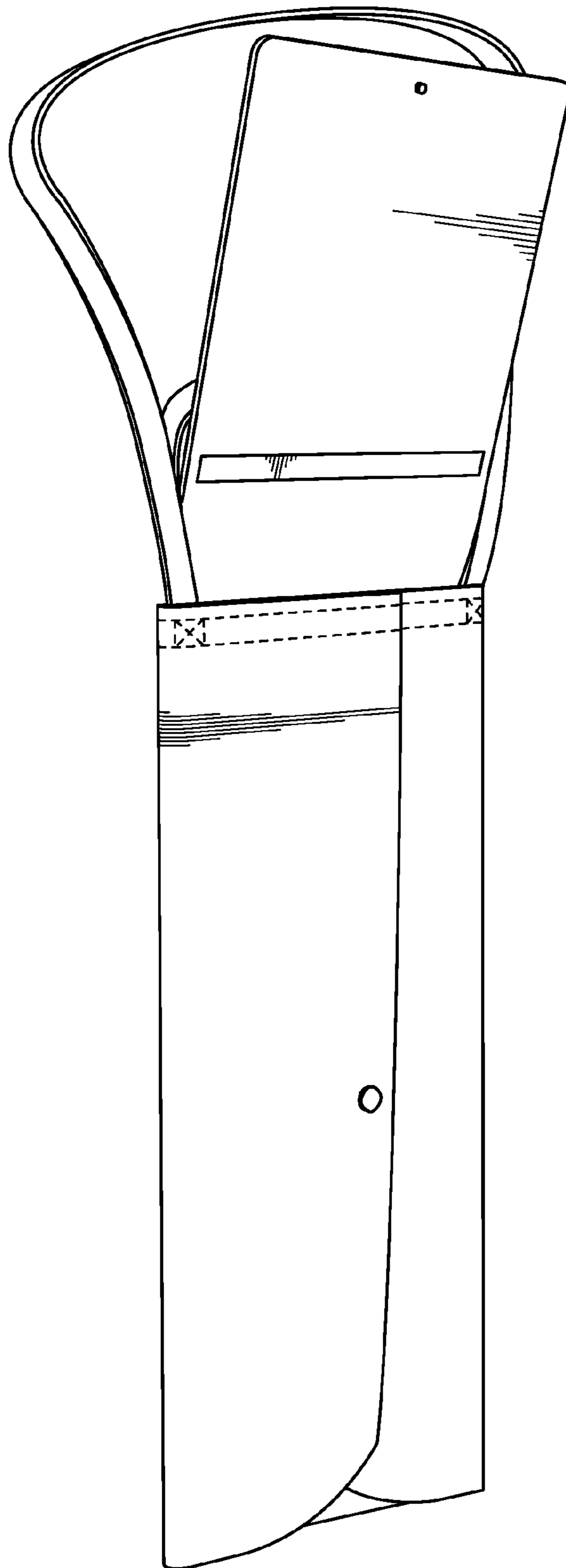


FIG. 5

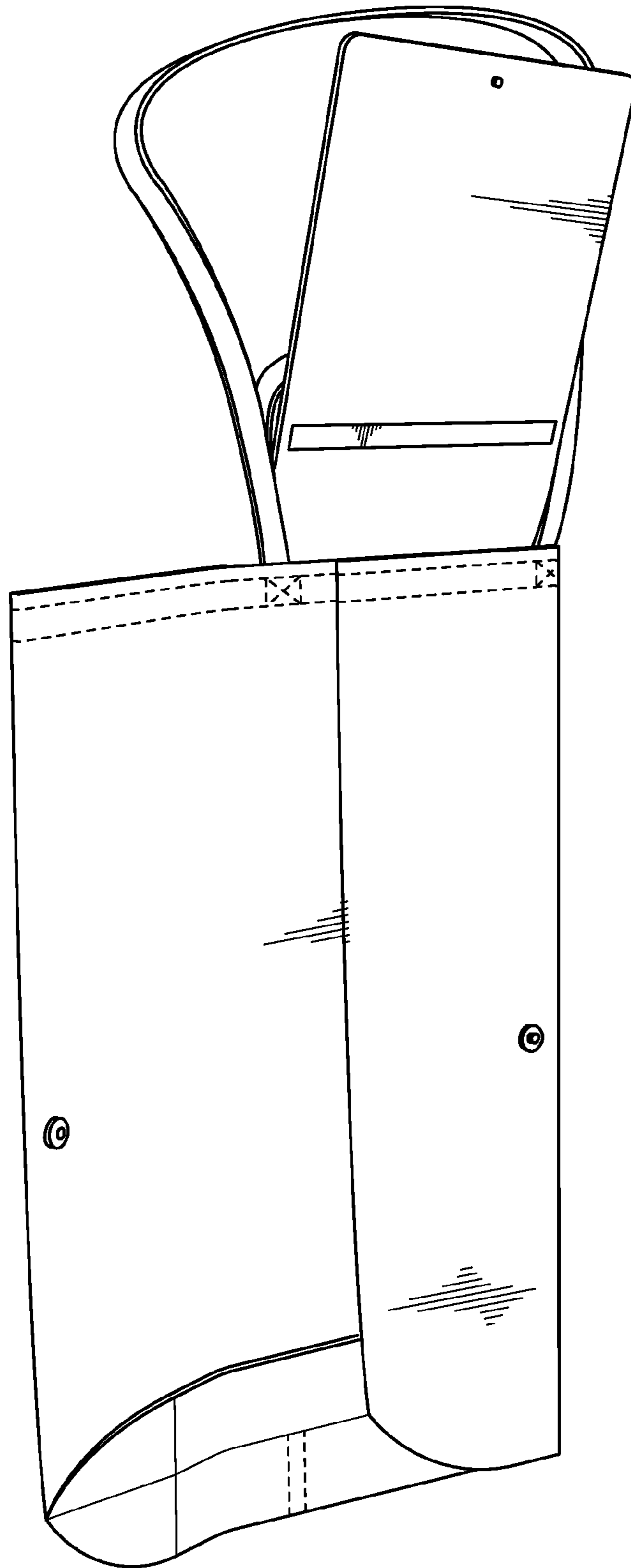


FIG. 6

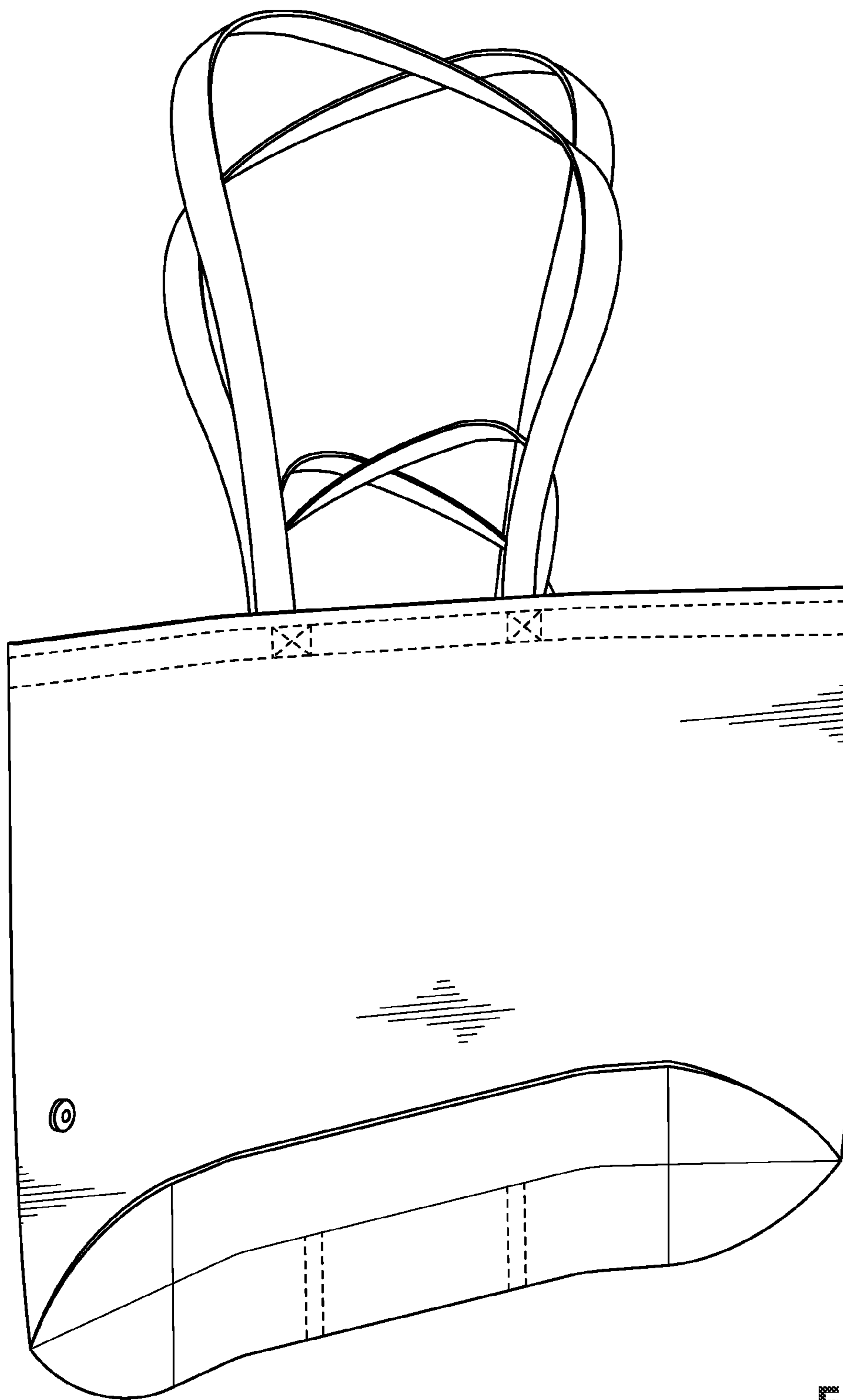


FIG. 7



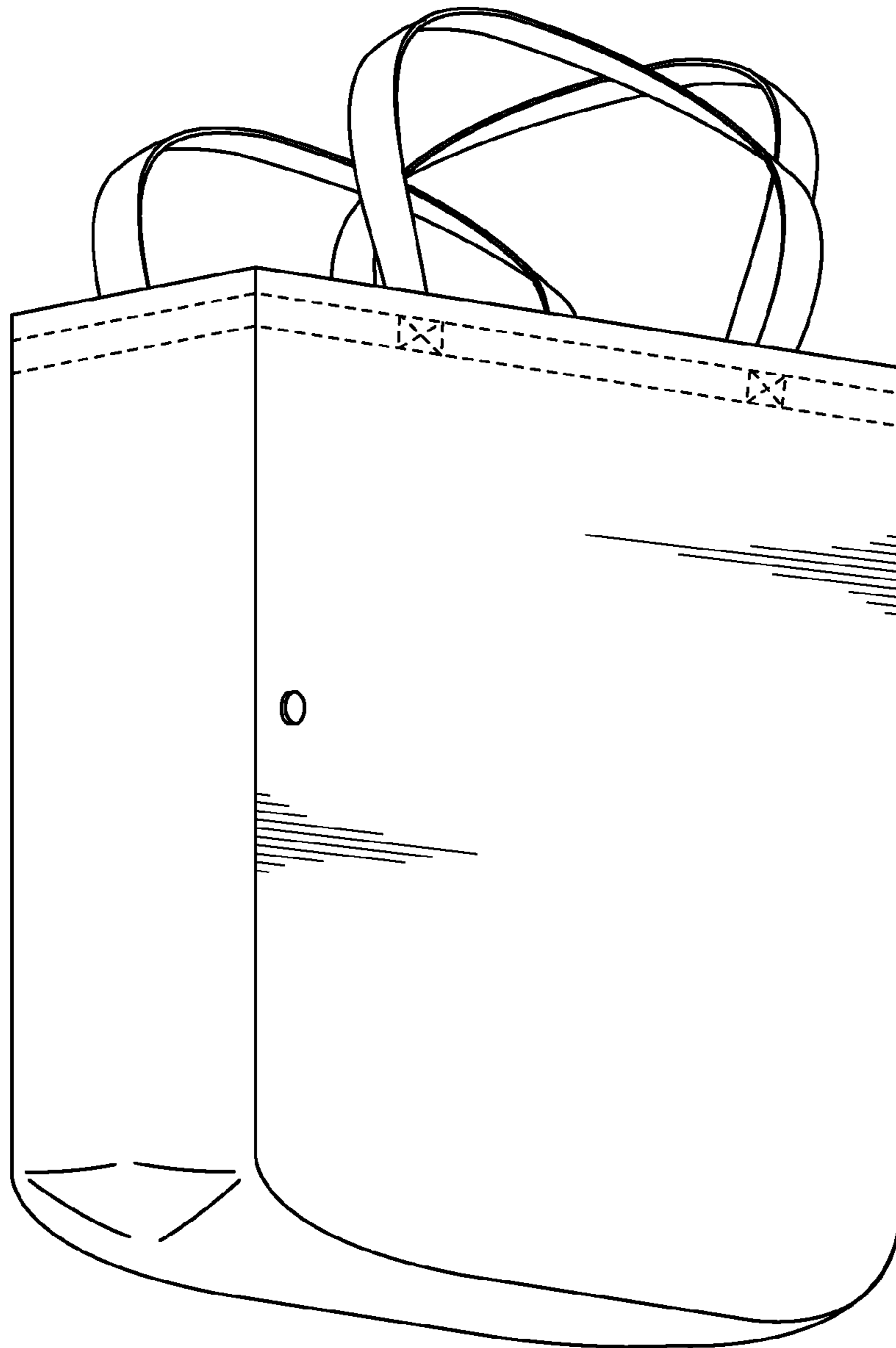


FIG. 8