



US00D621607S

(12) **United States Design Patent**
Beauvais

(10) **Patent No.:** **US D621,607 S**

(45) **Date of Patent:** **** Aug. 17, 2010**

(54) **PERSONAL CONTAINER FOR ACTIVE INDIVIDUALS**

D606,307 S * 12/2009 Gauss D3/294

* cited by examiner

(76) Inventor: **Ed Beauvais**, 25 Jamie La., Hopkinton, MA (US) 01748

Primary Examiner—Catherine R Oliver

(74) *Attorney, Agent, or Firm*—Timothy John Van Tuinen, LLC

(**) Term: **14 Years**

(57) **CLAIM**

(21) Appl. No.: **29/346,224**

The ornamental design for a personal container for active individuals, as shown.

(22) Filed: **Oct. 28, 2009**

(51) **LOC (9) Cl.** **03-01**

(52) **U.S. Cl.** **D3/215**

(58) **Field of Classification Search** D3/215,
D3/218–219, 221, 224, 226, 228, 294–295,
D3/247–248, 230; 206/37–38, 449, 268–269,
206/811; 224/236, 240, 245, 257, 904, 908;
220/324, 334–335, 337; 150/147; D27/172,
D27/186

DESCRIPTION

See application file for complete search history.

FIG. 1 is a front perspective view of the personal container;
FIG. 2 is a front perspective view of the personal container in the open position;

FIG. 3 is a front view of the personal container;

FIG. 4 is a front view of the personal container in the open position;

FIG. 5 is a bottom view of the personal container;

FIG. 6 is a top view of the personal container in the open position;

FIG. 7 is a right side view of the personal container;

FIG. 8 is a right side view of the personal container in the open position;

FIG. 9 is a rear view of the personal container; and,

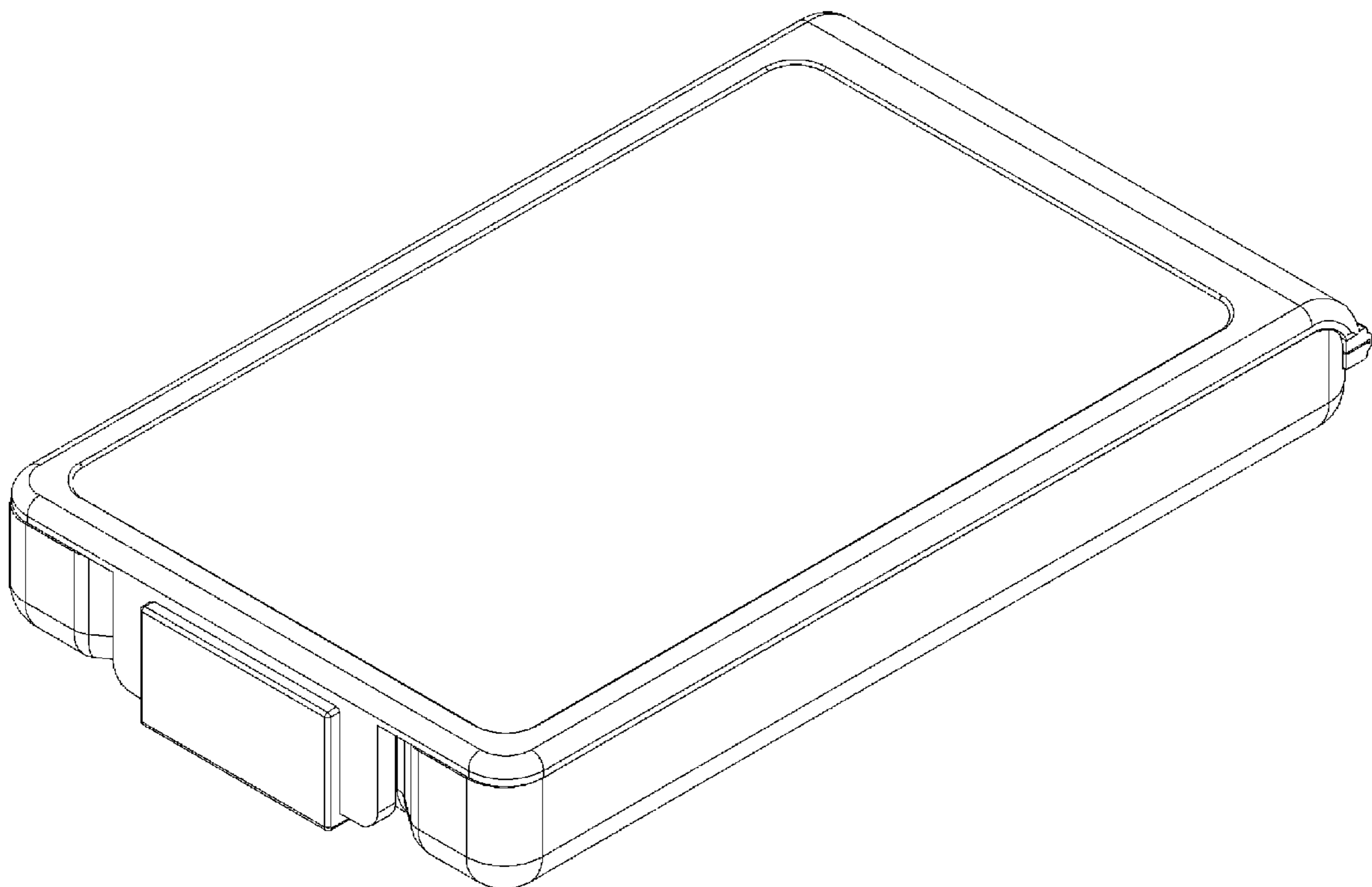
FIG. 10 is a rear view of the personal container in the open position.

(56) **References Cited**

U.S. PATENT DOCUMENTS

D352,602 S * 11/1994 Wendell D3/230
D371,674 S * 7/1996 Williams D3/215
D378,018 S * 2/1997 Ouellette D3/215
D401,406 S * 11/1998 Alves et al. D3/215
D402,105 S * 12/1998 Erickson D3/215
D409,374 S * 5/1999 Laba et al. D3/215
D423,772 S * 5/2000 Cooper et al. D3/218
7,347,325 B2 * 3/2008 O'Neill et al. 206/449
D600,913 S * 9/2009 Kalbach D3/294

1 Claim, 6 Drawing Sheets



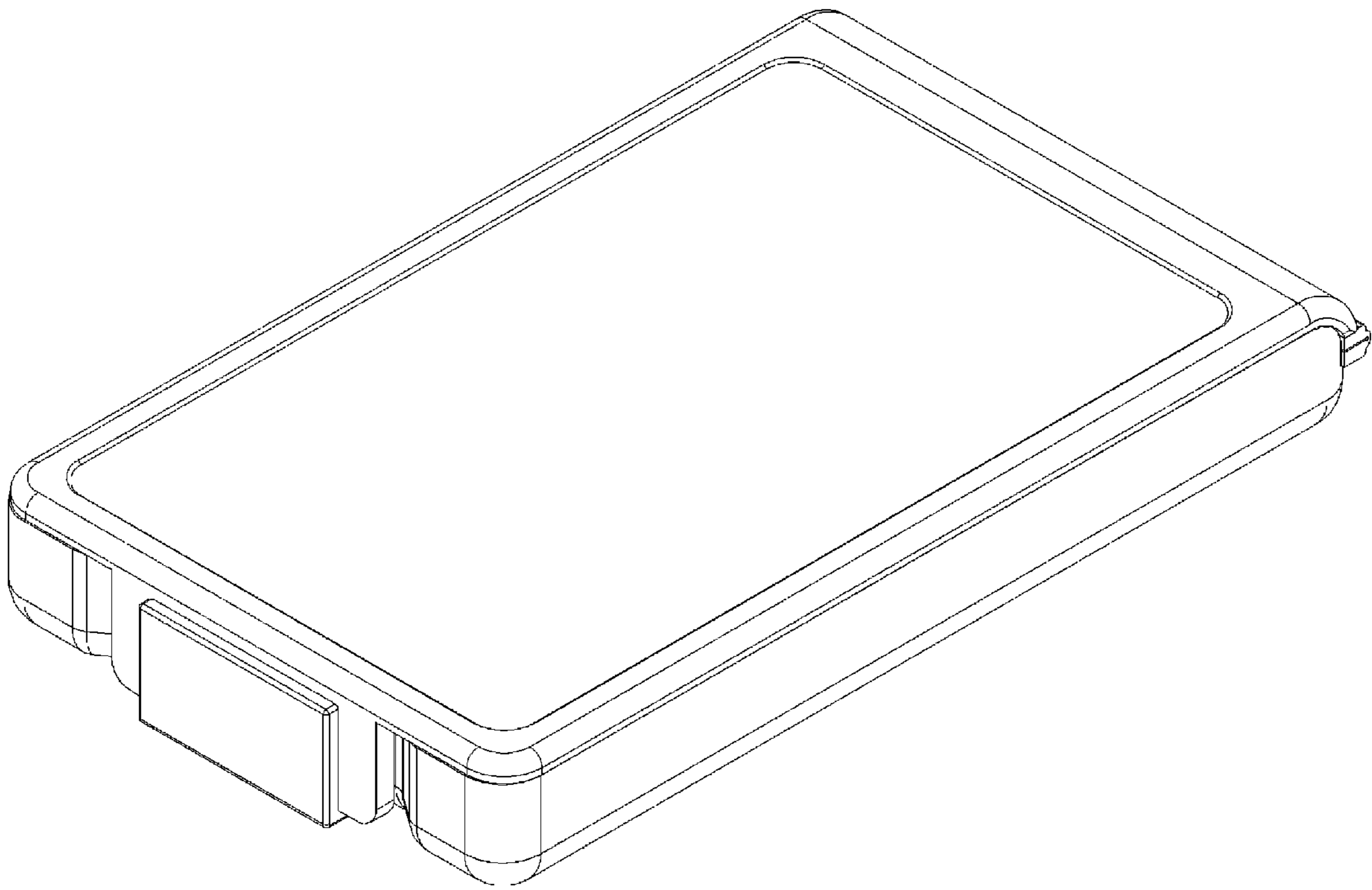


FIG. 1

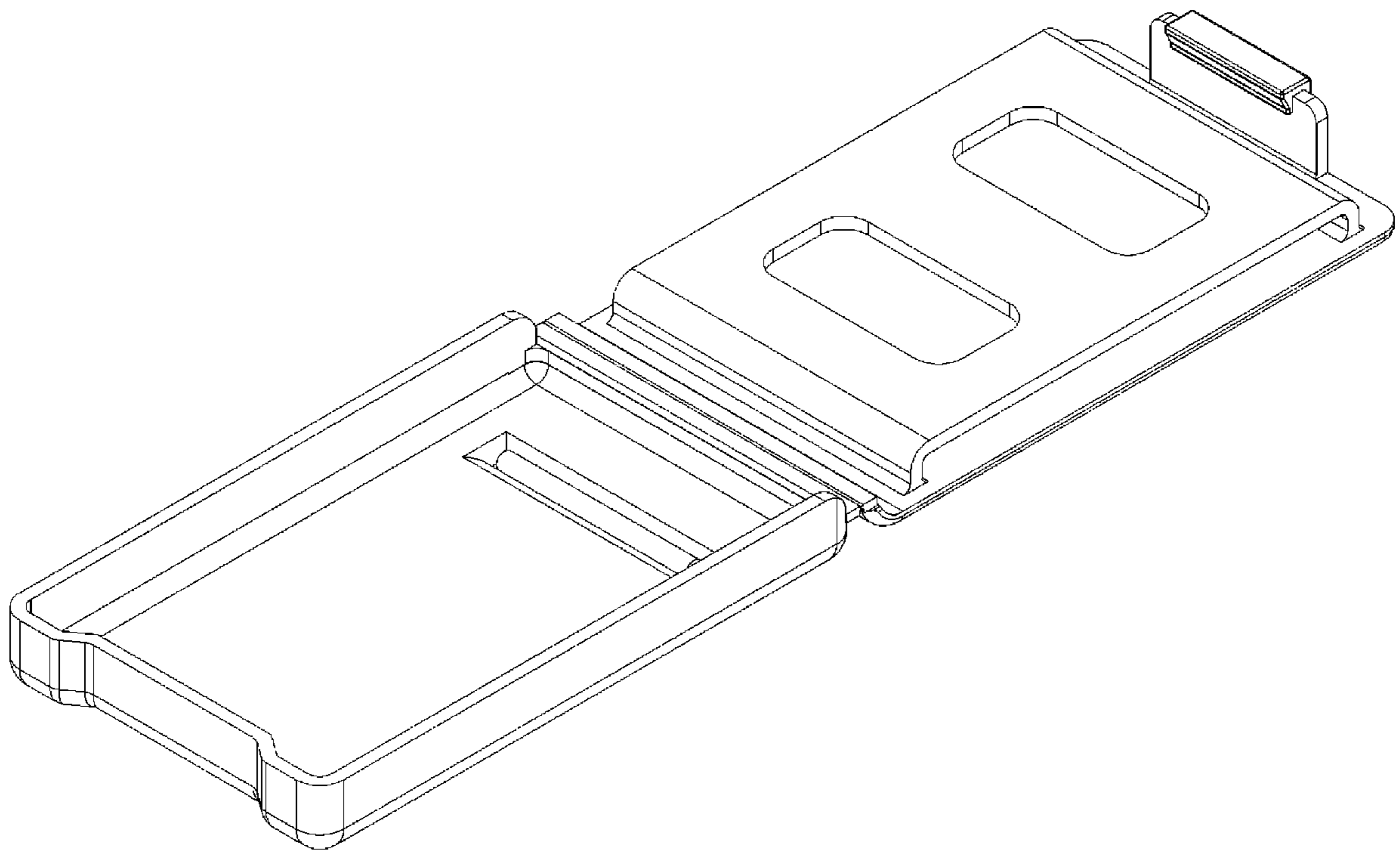


FIG. 2

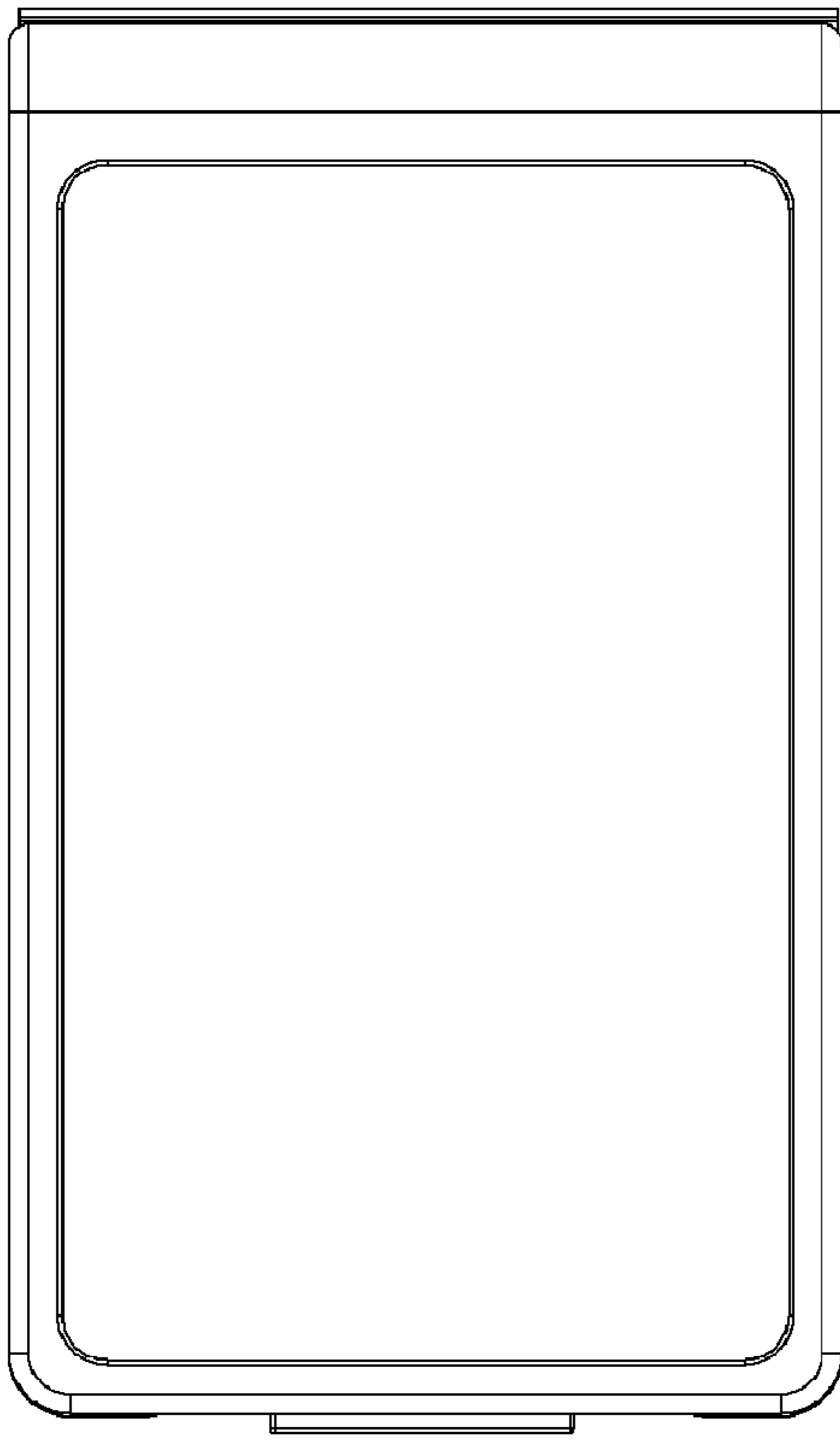


FIG. 3

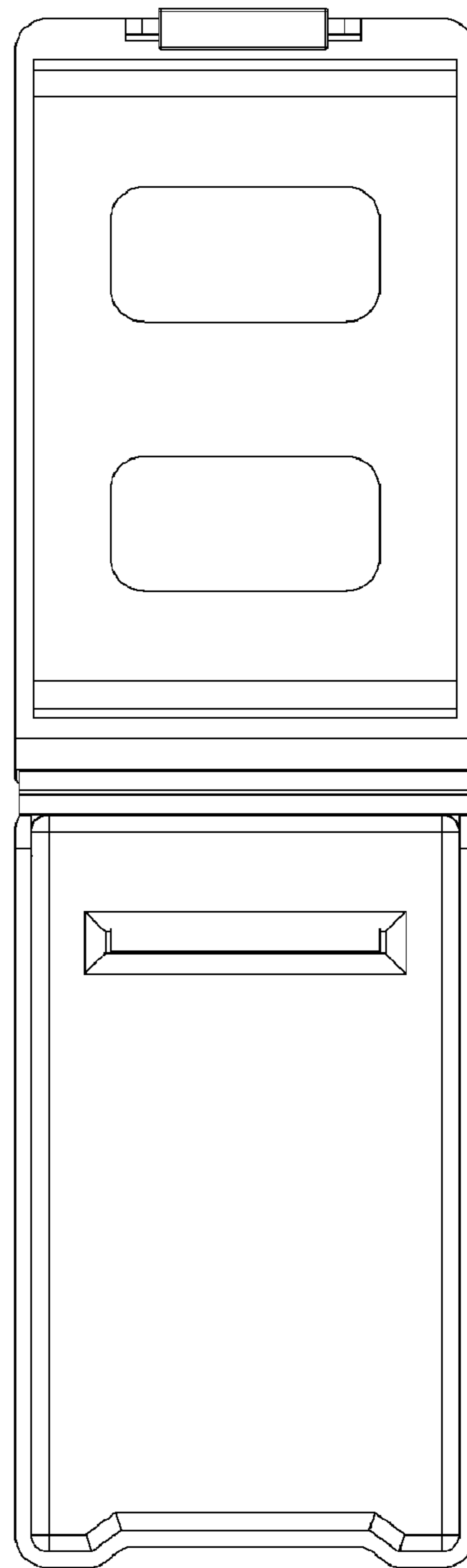


FIG. 4

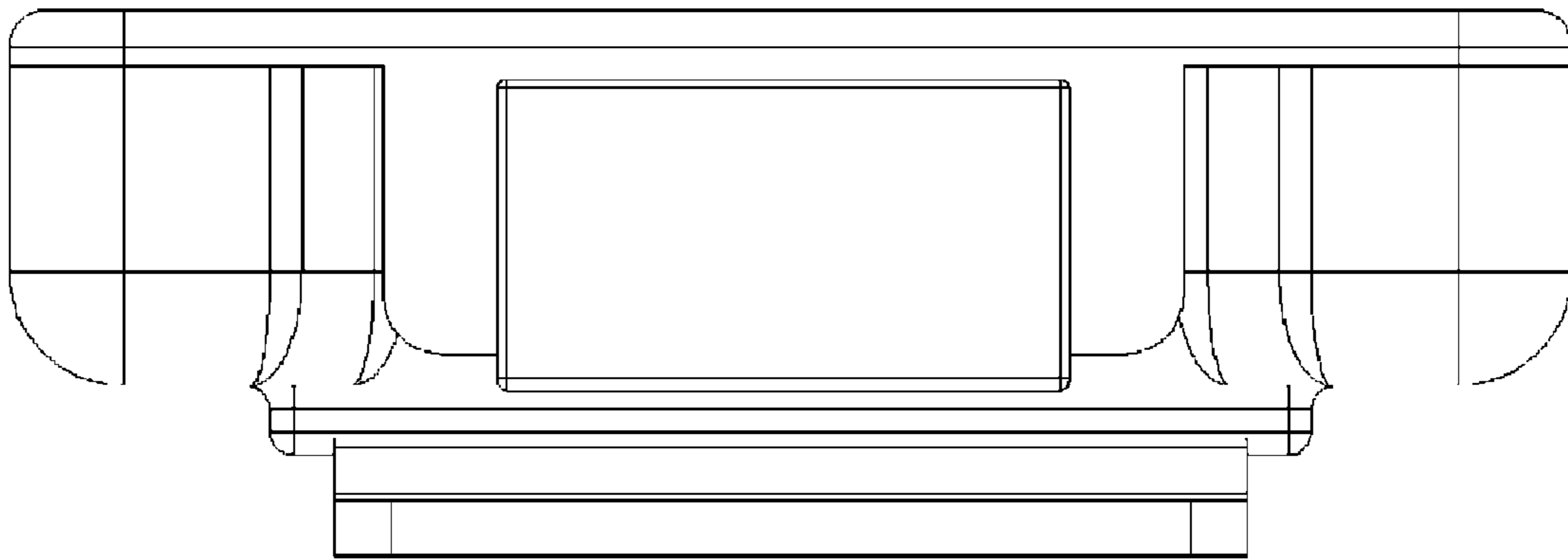


FIG. 5

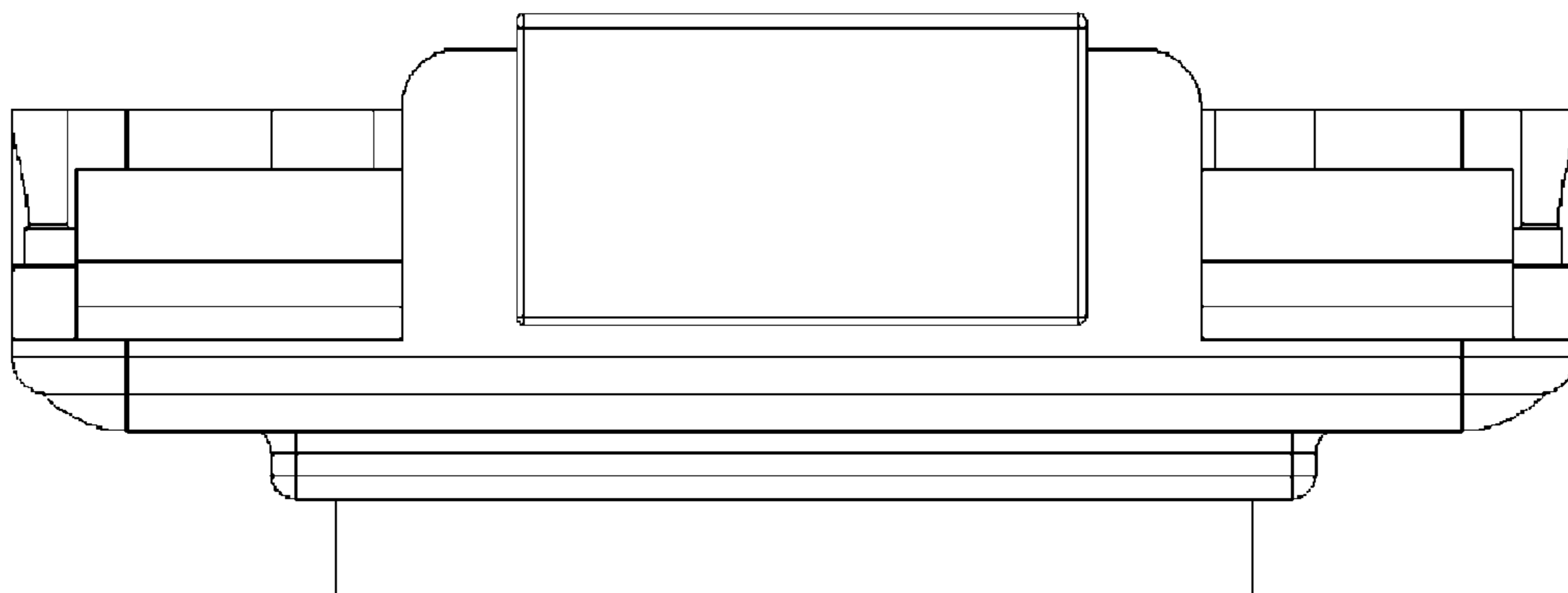


FIG. 6

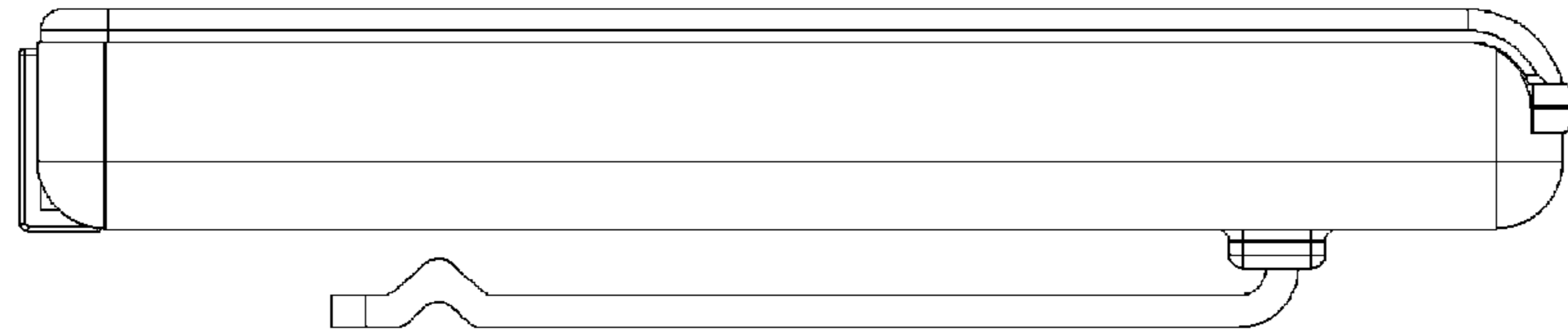


FIG. 7

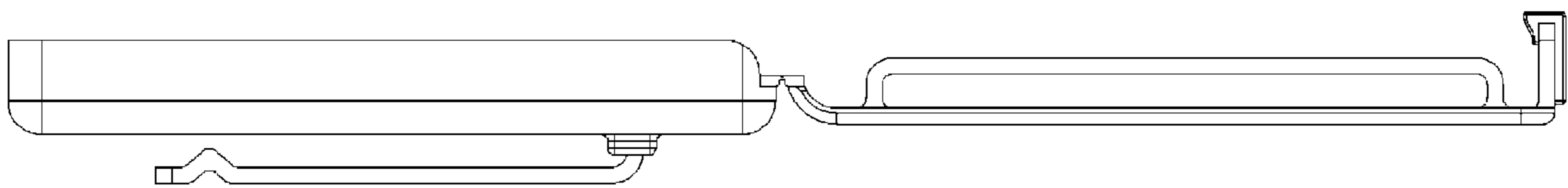


FIG. 8

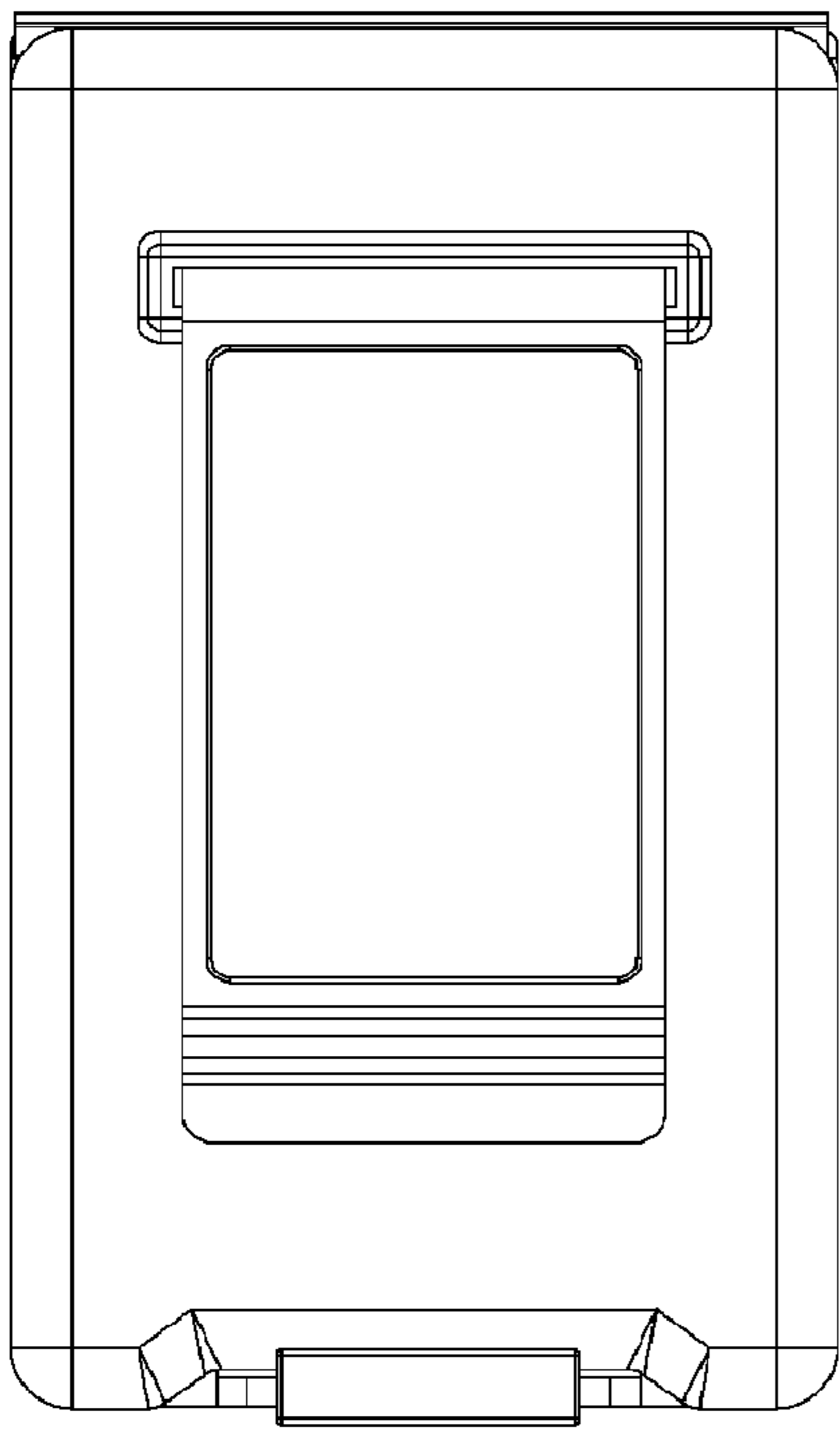


FIG. 9

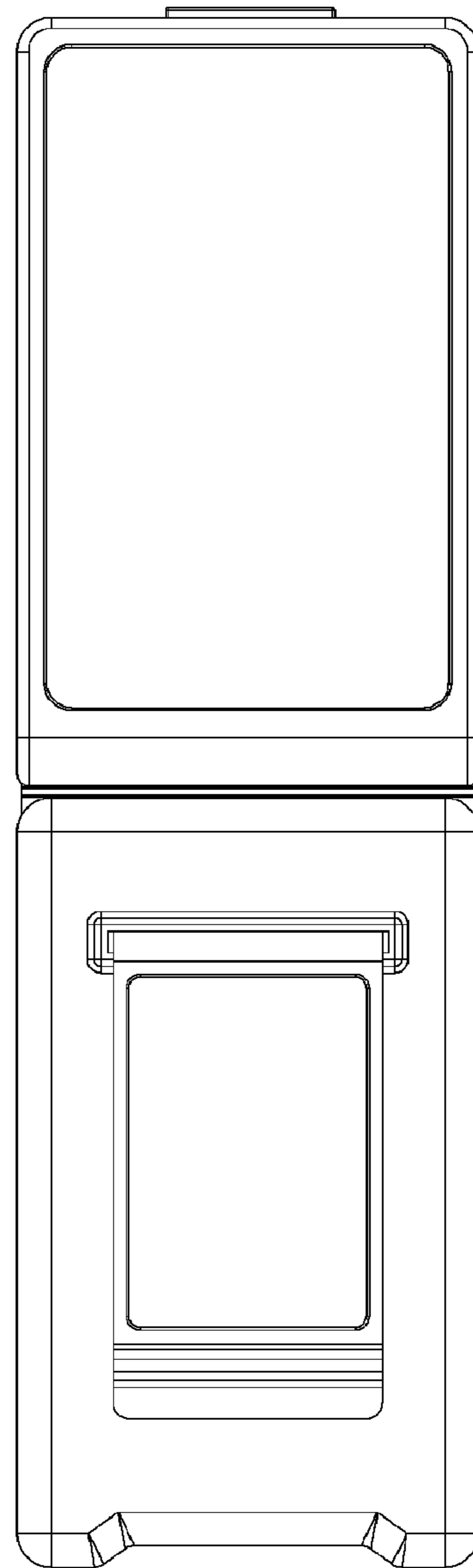


FIG. 10

UNITED STATES PATENT AND TRADEMARK OFFICE
CERTIFICATE OF CORRECTION

PATENT NO. : Des. 621,607 S
APPLICATION NO. : 29/346224
DATED : August 17, 2010
INVENTOR(S) : Ed Beauvais

Page 1 of 2

It is certified that error appears in the above-identified patent and that said Letters Patent is hereby corrected as shown below:

In the drawings, Sheet 4, Fig 5, the figure is missing lines included in the original application filed on 10-28-2009. (See Attachment)

Signed and Sealed this

Second Day of November, 2010

A handwritten signature in black ink that reads "David J. Kappos". The signature is written in a cursive style with a large, prominent "D" and "K".

David J. Kappos
Director of the United States Patent and Trademark Office

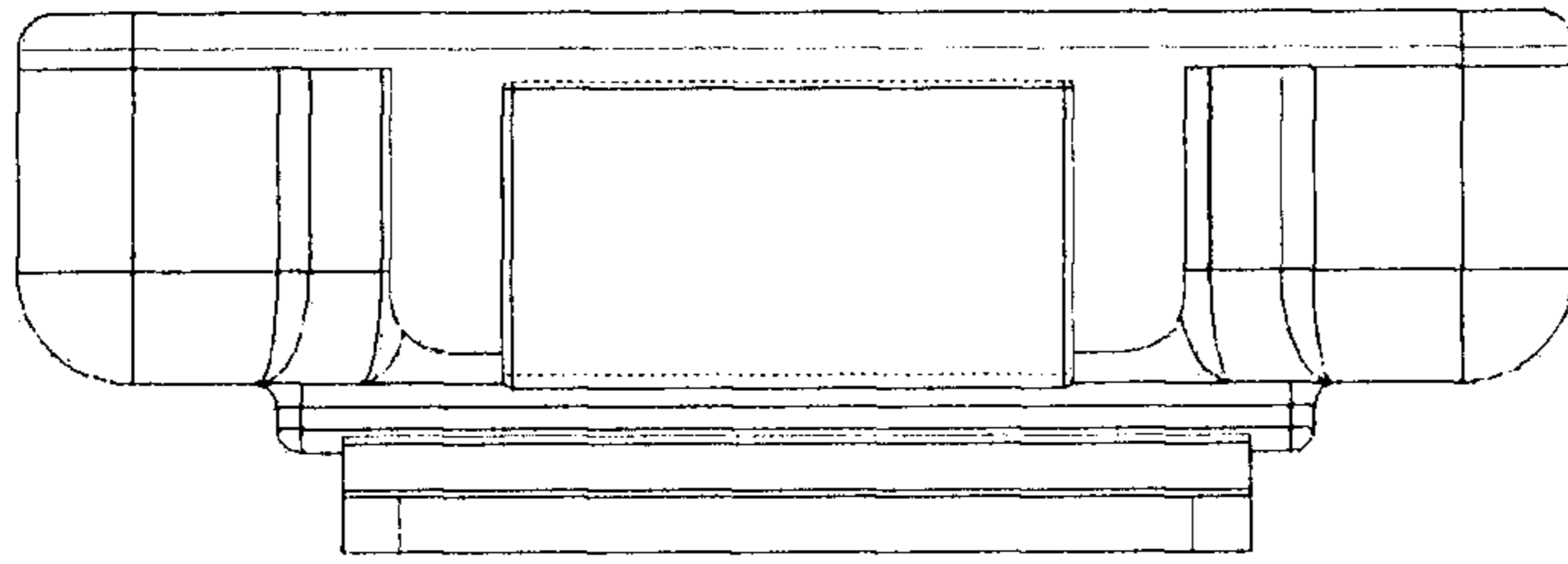


FIG. 5

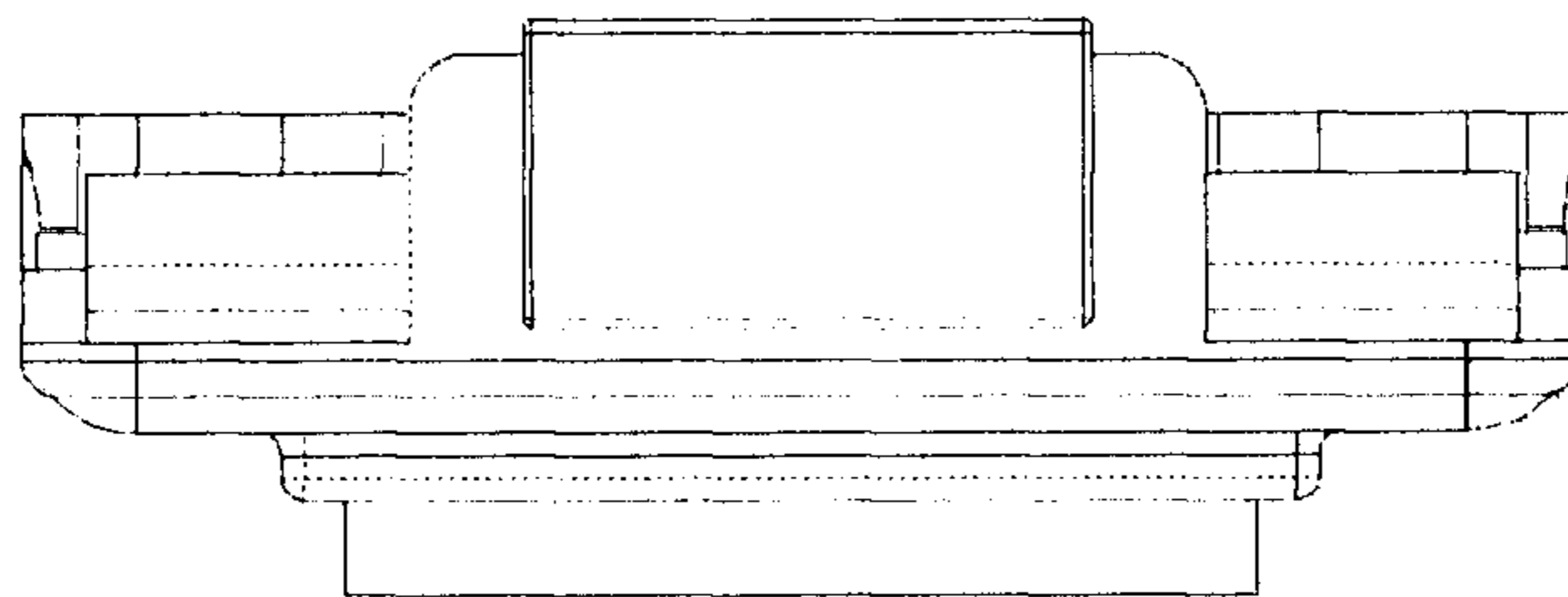


FIG. 6