



US00D621605S

(12) **United States Design Patent**
MacDonald

(10) **Patent No.:** **US D621,605 S**

(45) **Date of Patent:** **** Aug. 17, 2010**

(54) **COMBINATION CARD AND KEY HOLDER**

(57) **CLAIM**

(76) **Inventor:** **Sumner MacDonald**, 44 Ballov Blvd.,
Bristol, RI (US) 02809

The ornamental design for a combination card and key holder,
as shown and described.

(**) **Term:** **14 Years**

DESCRIPTION

(21) **Appl. No.:** **29/349,162**

FIG. 1 is a top perspective view of a combination card and key holder showing my new design;

(22) **Filed:** **Mar. 15, 2010**

FIG. 2 is a perspective view similar to FIG. 1 but showing the holder in its opened position;

(51) **LOC (9) Cl.** **03-01**

FIG. 3 is a perspective view similar to FIG. 2 but showing the cardholders positioned over the outer closure flap;

(52) **U.S. Cl.** **D3/212**

(58) **Field of Classification Search** D11/1-2,
D11/14, 26-29, 89-92, 44, 48, 81, 99; 63/26-28,
63/32; D3/207-212; D8/38; 70/456 B;
206/37.1

FIG. 4 is a top plan view of FIG. 3;

FIG. 5 is a bottom plan view of FIG. 3;

FIG. 6 is a rear elevational view of FIG. 3;

See application file for complete search history.

FIG. 7 is a front elevational view of FIG. 3;

FIG. 8 is a left side elevational view of FIG. 3;

FIG. 9 is a right side elevational view of FIG. 3;

(56) **References Cited**

U.S. PATENT DOCUMENTS

1,138,768	A *	5/1915	McFarland	206/37.1
2,648,215	A *	8/1953	Hanna	70/456 R
2,669,113	A *	2/1954	Gillette	70/456 R
3,318,354	A *	5/1967	Borisof	206/38.1
3,379,041	A *	4/1968	Hanna	70/456 R
3,608,343	A *	9/1971	Kimel	70/456 R
D414,329	S *	9/1999	Parker	D3/212

FIG. 10 is a top perspective view of a combination card and key holder showing a second embodiment of my new design.

FIG. 11 is a top plan view similar to FIG. 10 but showing the holder in its opened position;

FIG. 12 is a top plan view of FIG. 10;

FIG. 13 is a bottom plan view of FIG. 10;

FIG. 14 is a rear elevational view of FIG. 11;

FIG. 15 is a front elevational view of FIG. 11;

FIG. 16 is a left side elevational view of FIG. 11; and,

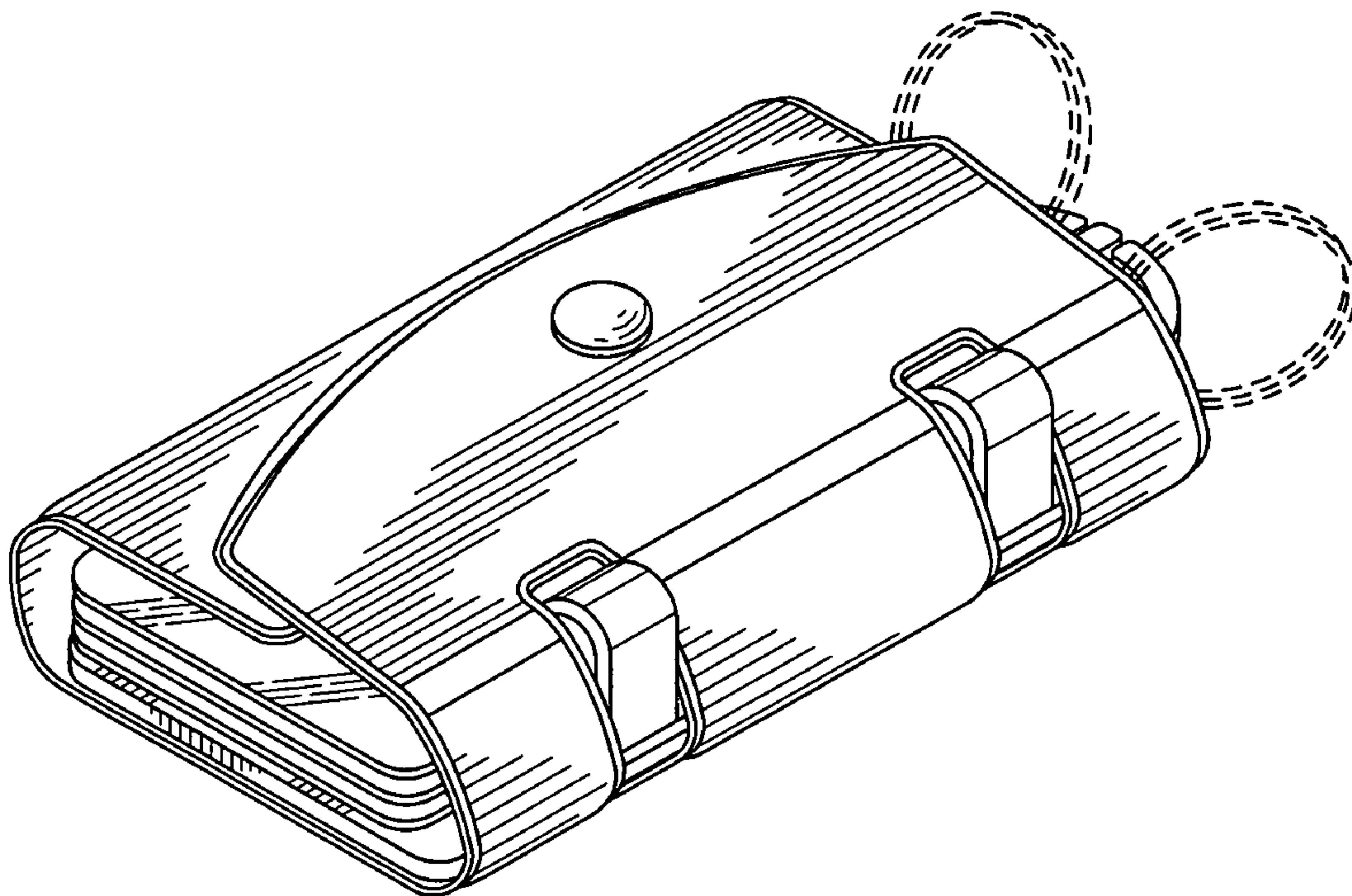
FIG. 17 is a right side elevational view of FIG. 11.

* cited by examiner

Primary Examiner—Ralf Seifert

(74) *Attorney, Agent, or Firm*—Robert Doherty

1 Claim, 8 Drawing Sheets



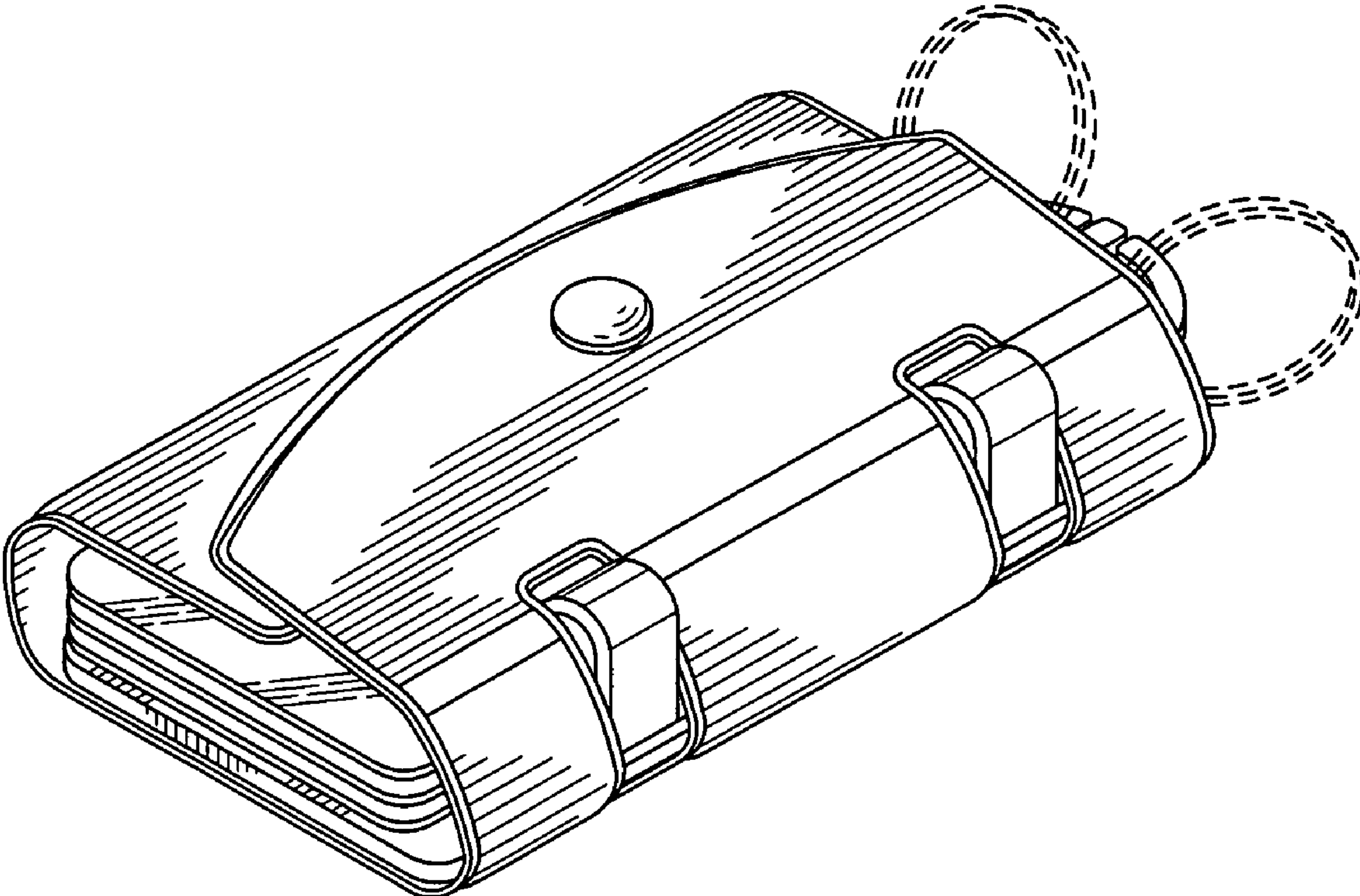


FIG. 1

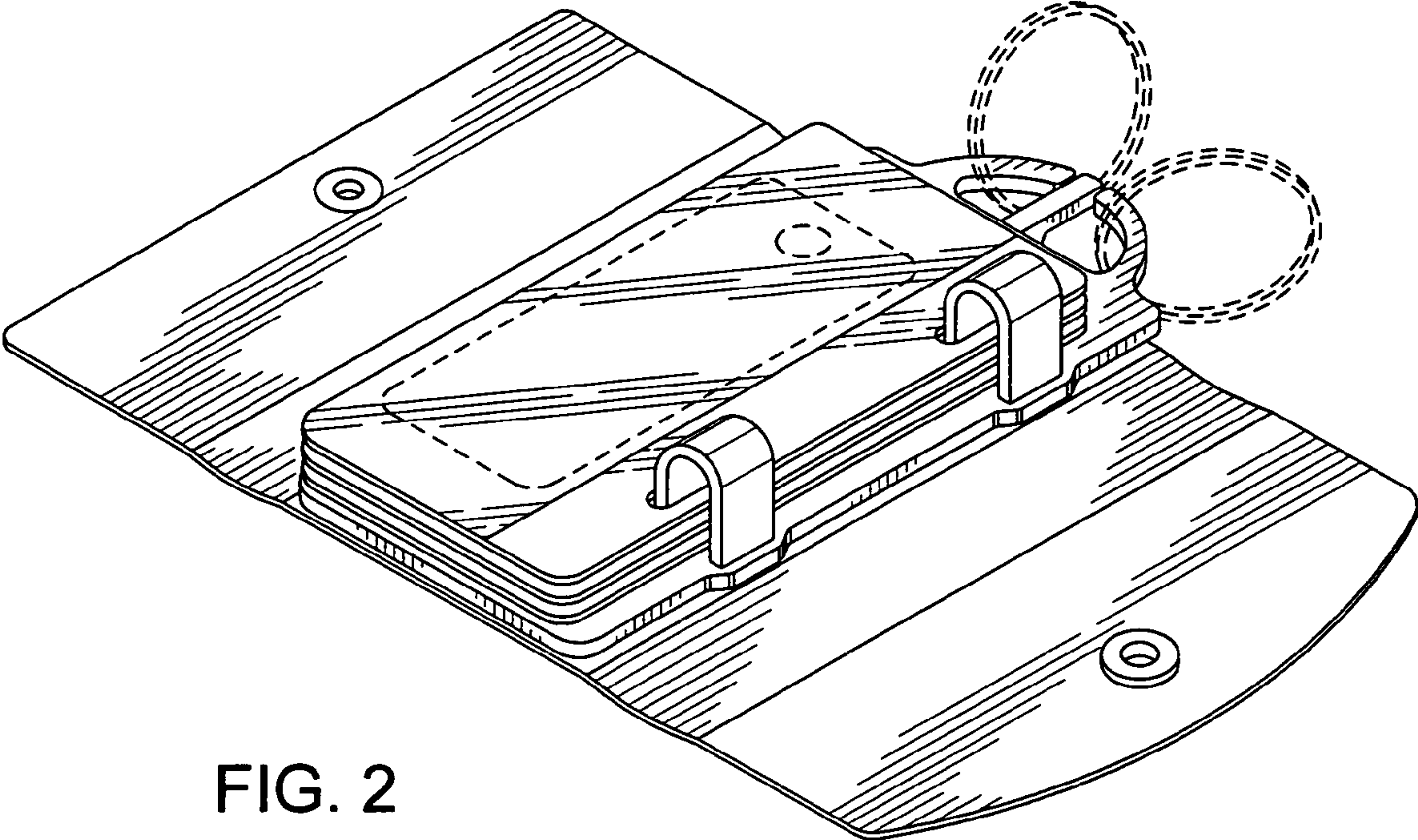


FIG. 2

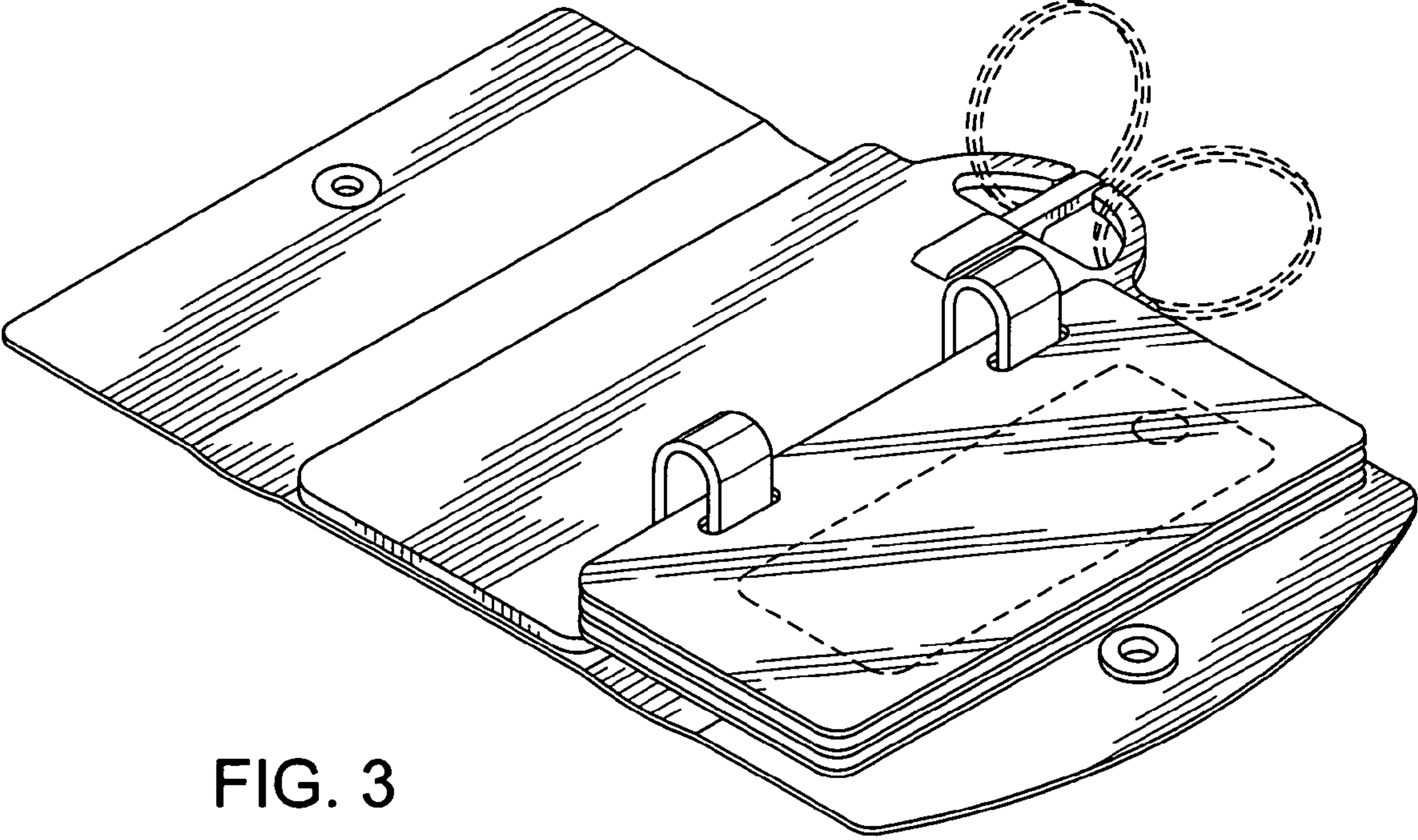


FIG. 3

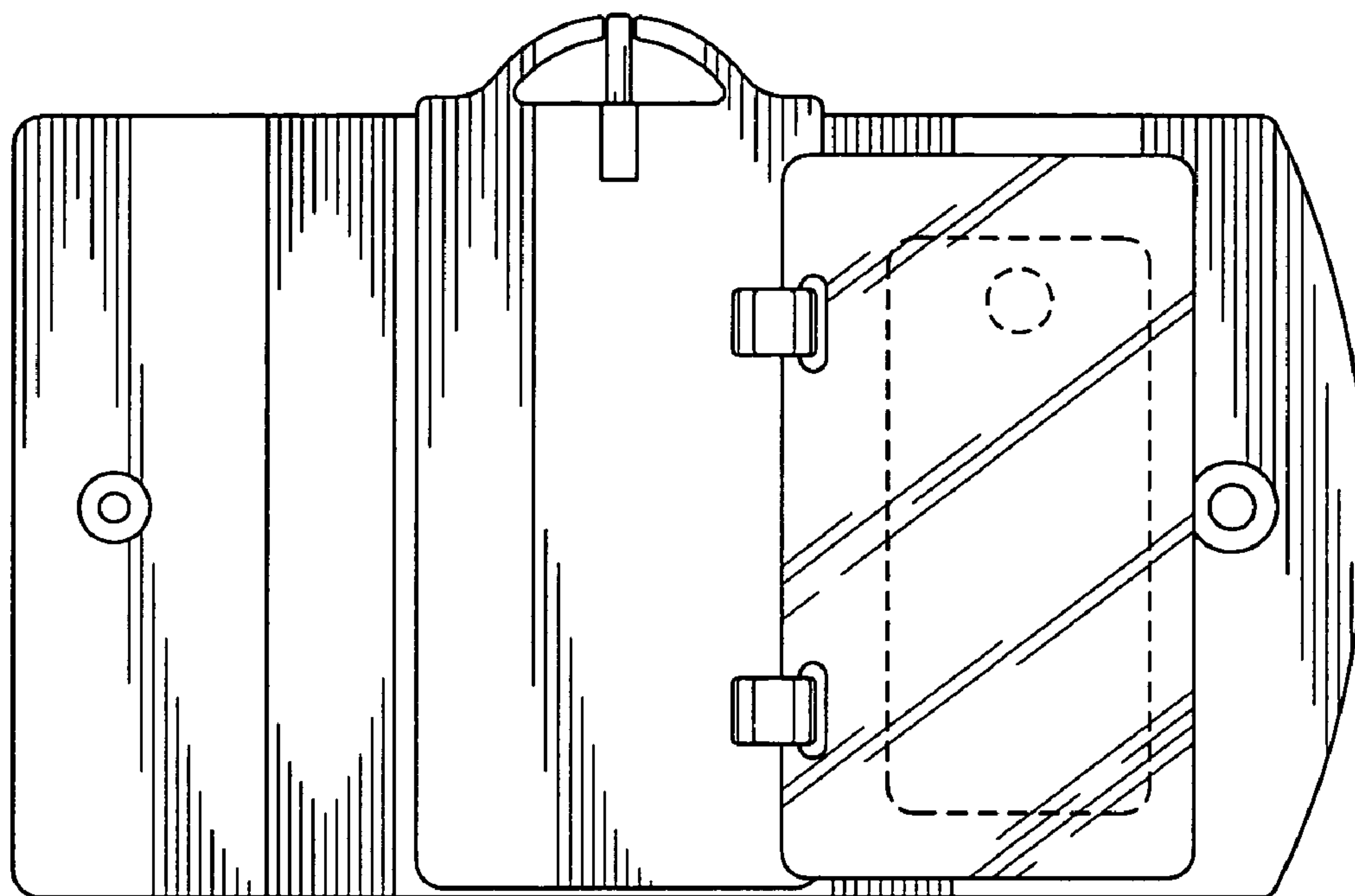


FIG. 4

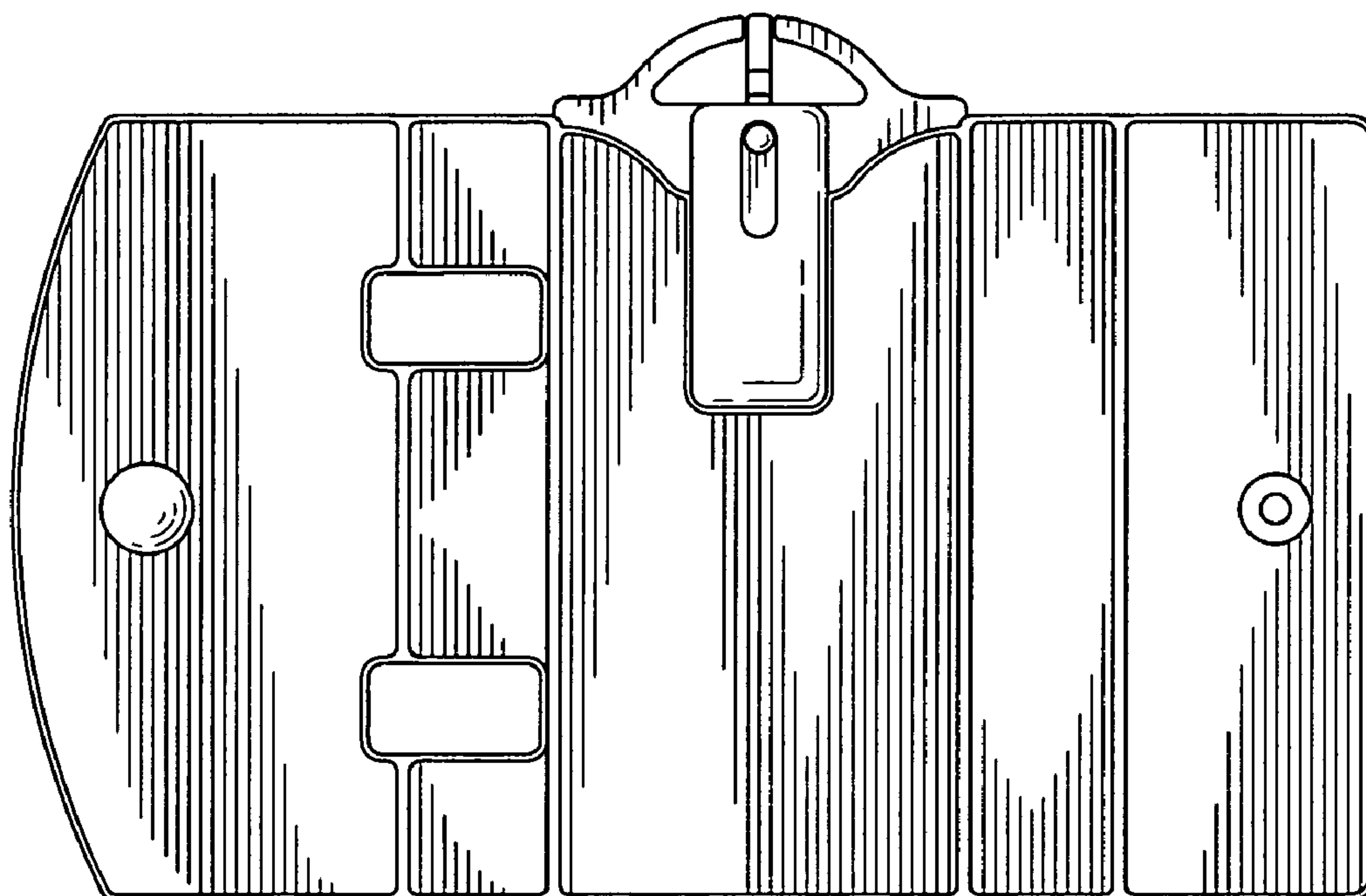


FIG. 5

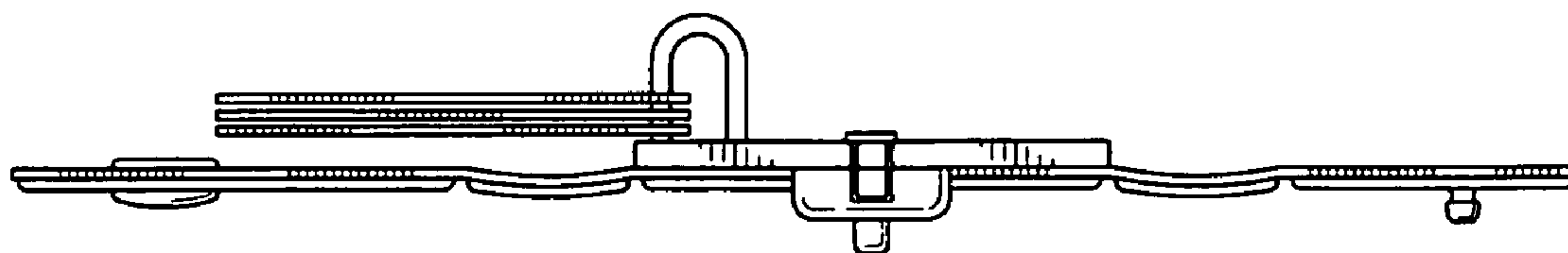


FIG. 6

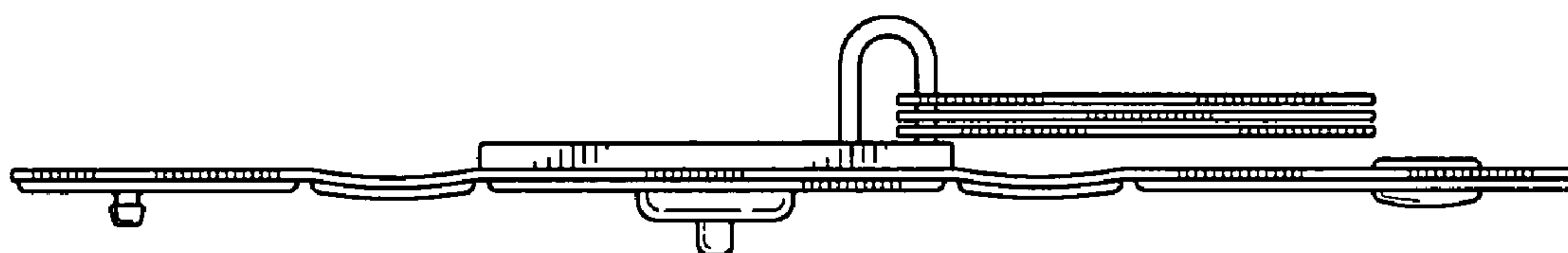


FIG. 7

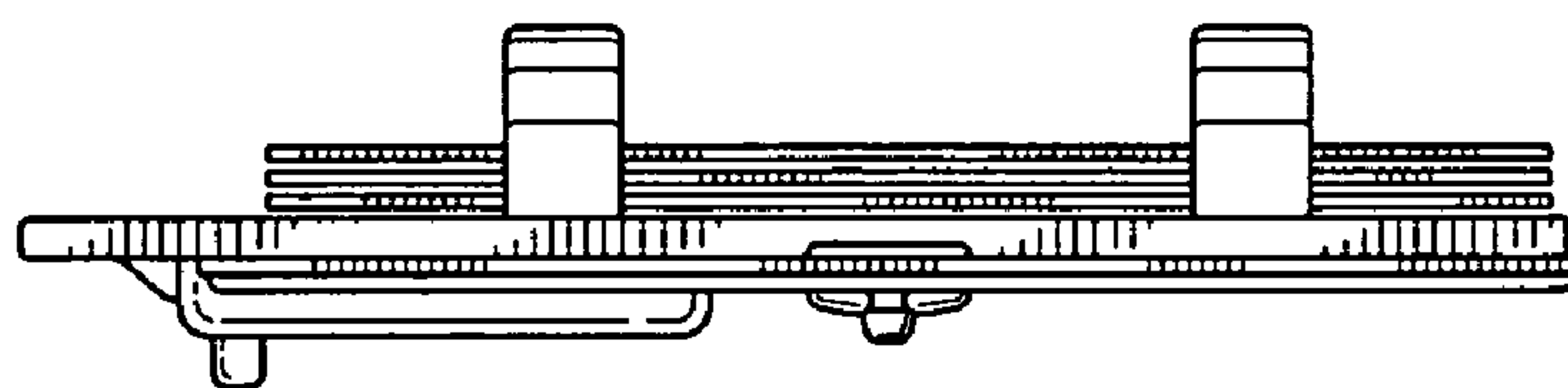


FIG. 8

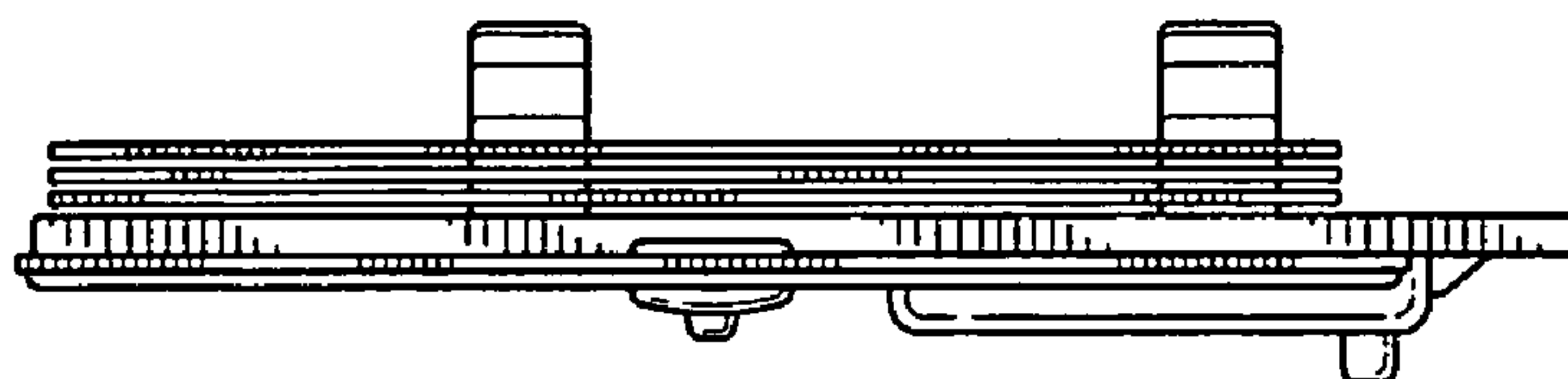


FIG. 9

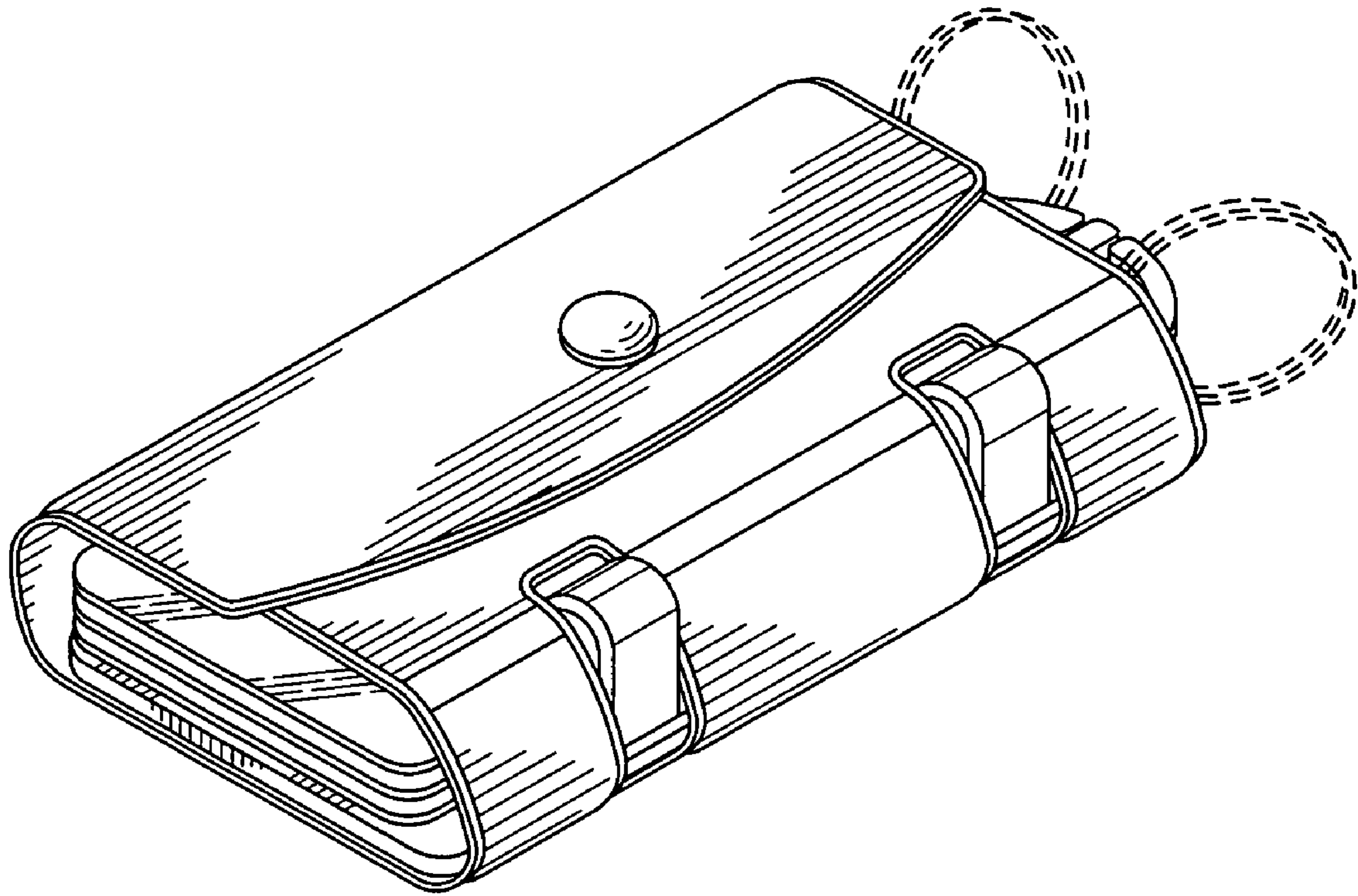


FIG. 10

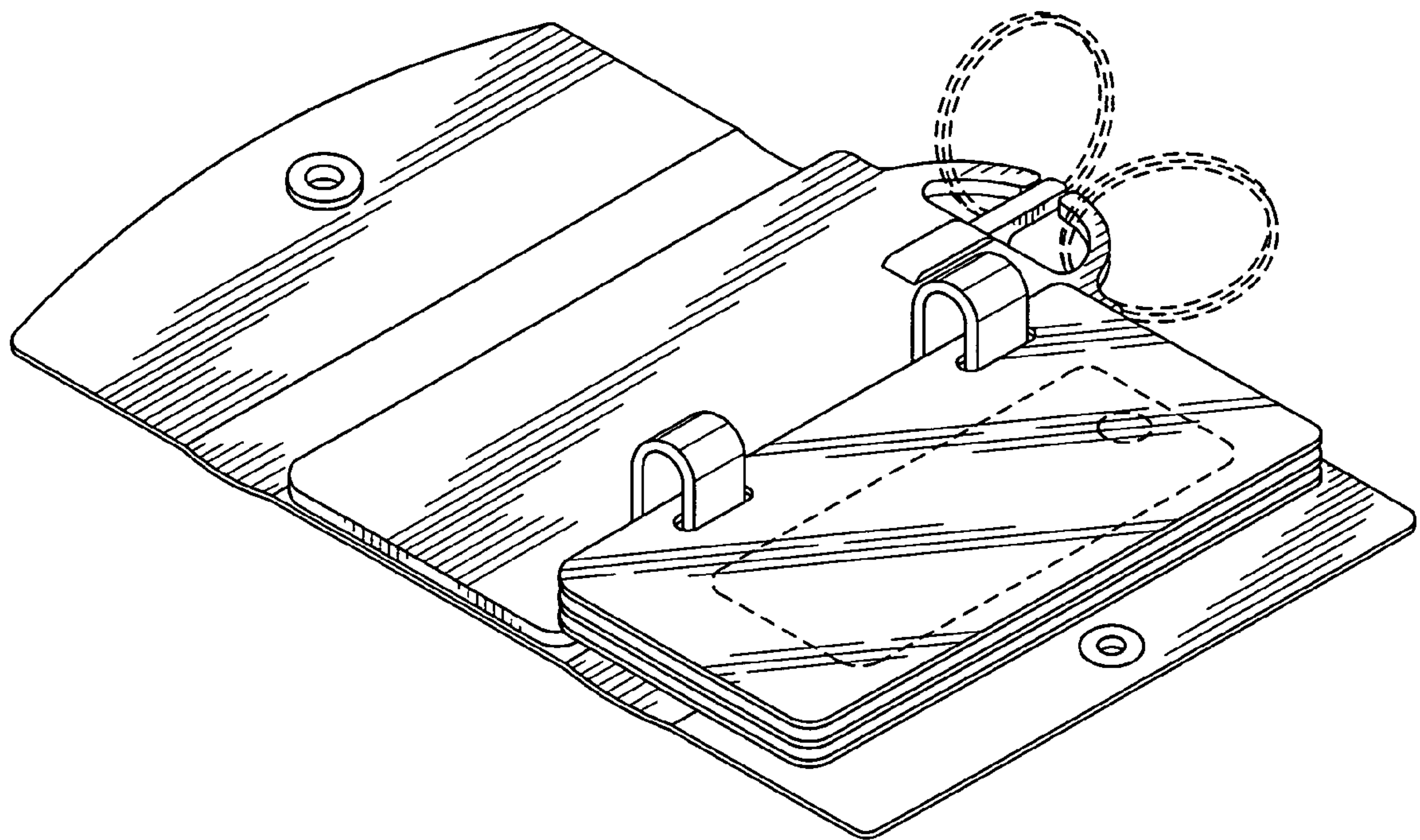


FIG. 11

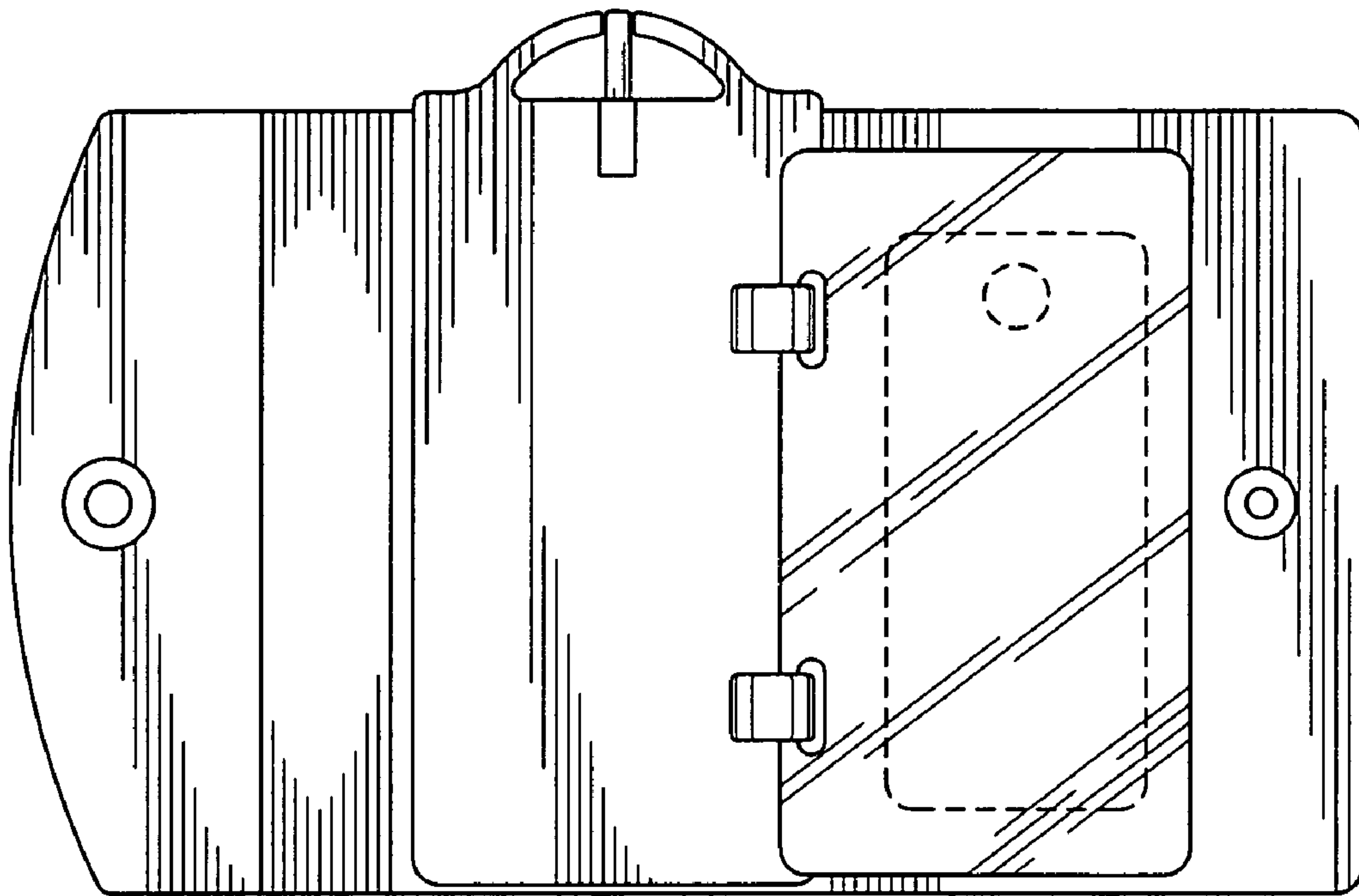


FIG. 12

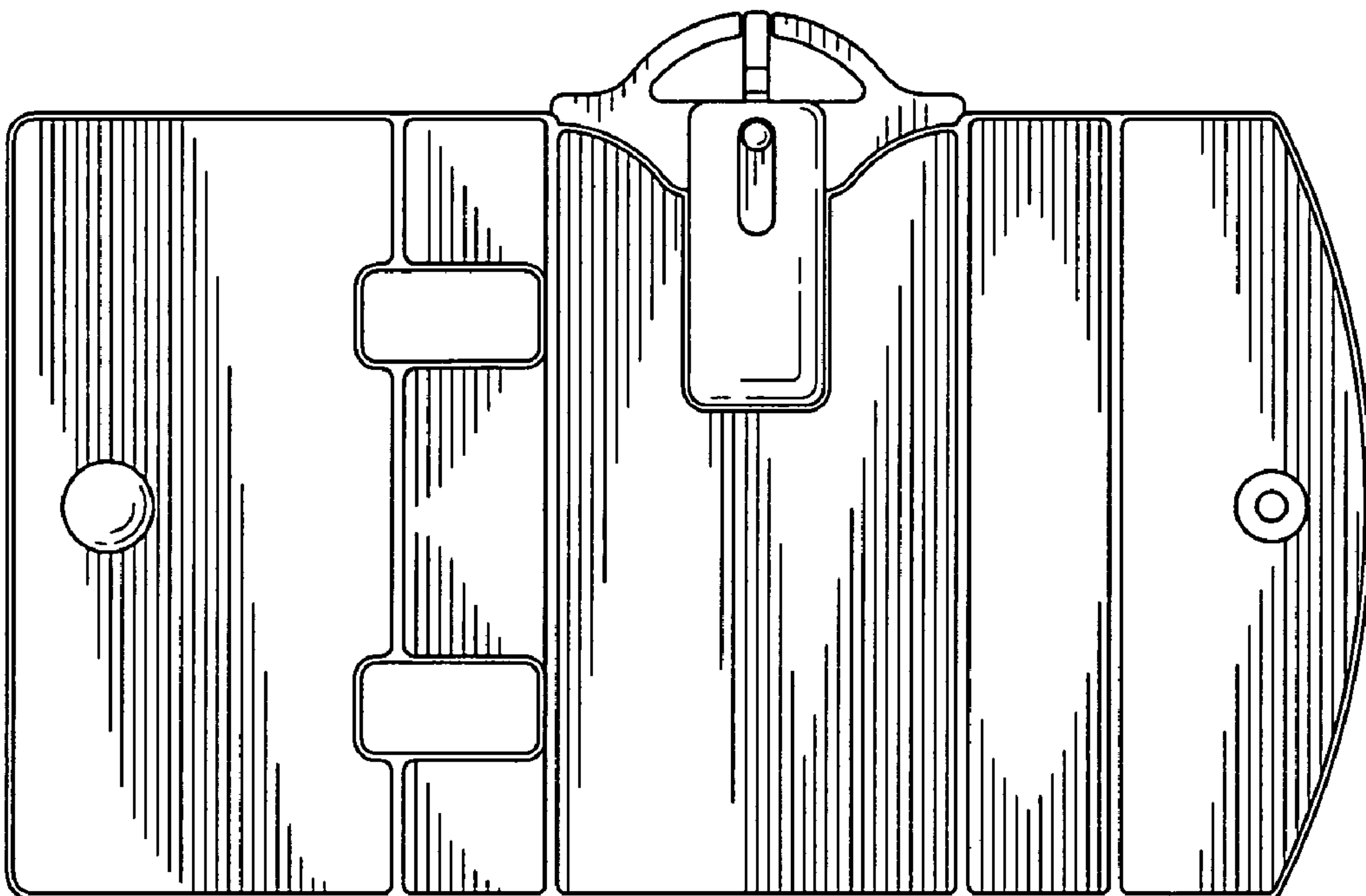


FIG. 13

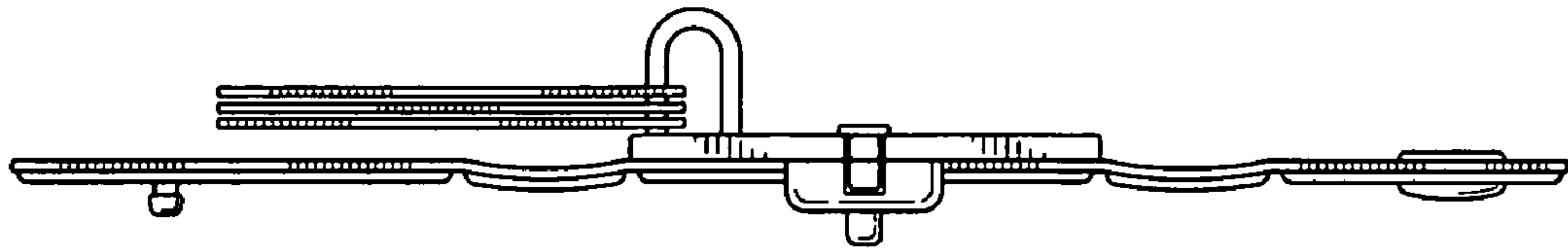


FIG. 14

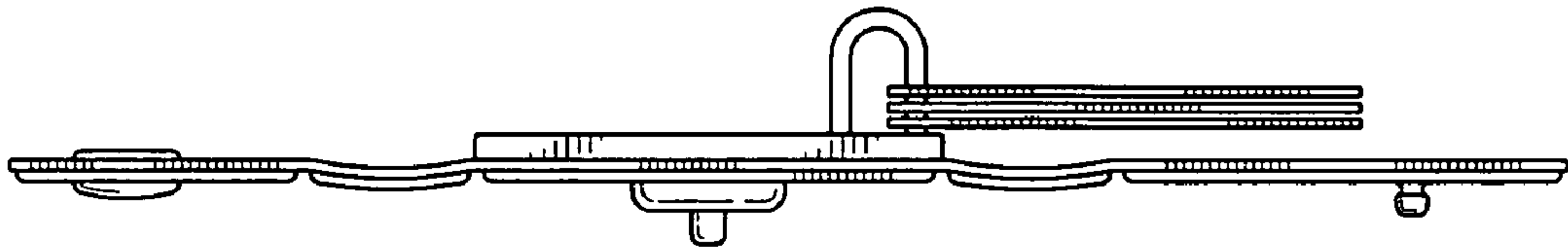


FIG. 15

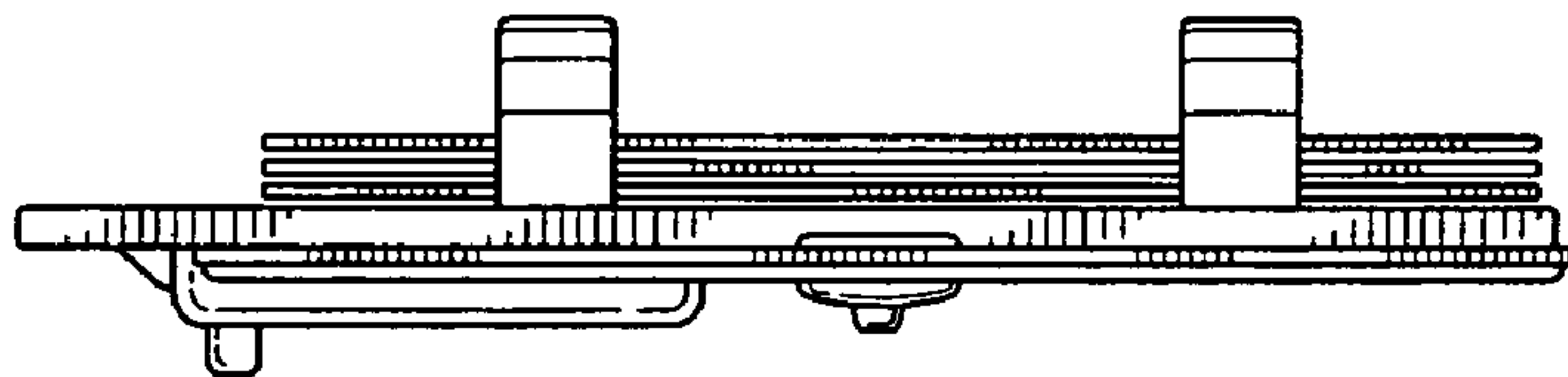


FIG. 16

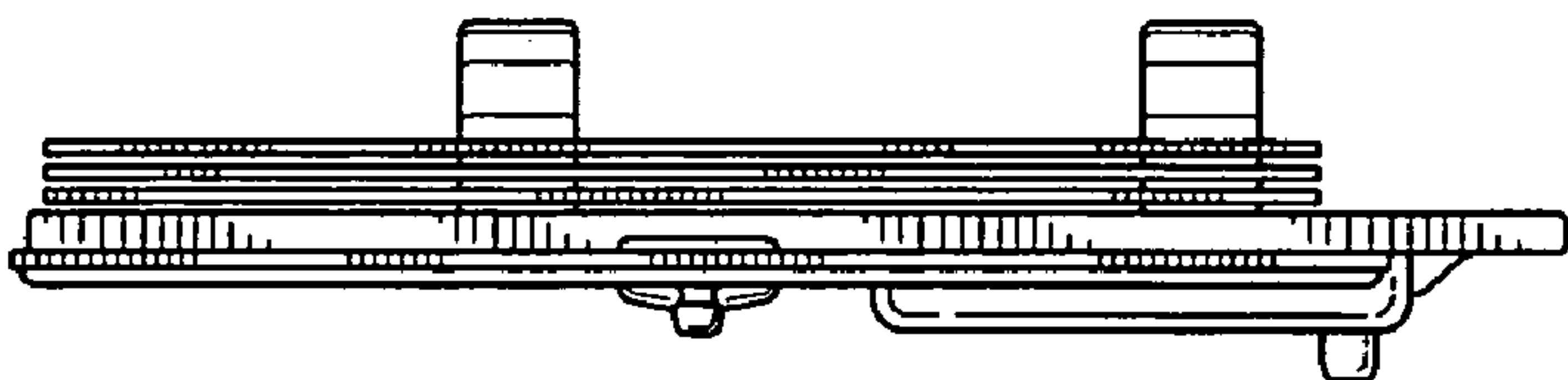


FIG. 17