

US00D621604S

(12) **United States Design Patent**
van der Lande

(10) **Patent No.:** **US D621,604 S**

(45) **Date of Patent:** **** Aug. 17, 2010**

(54) **VINTAGE CAMERA-SHAPED KEYLIGHT**

D611,698 S * 3/2010 van der Lande D3/209

(75) Inventor: **Jan van der Lande**, New York, NY (US)

* cited by examiner

(73) Assignee: **Kikkerland Design, Inc**, New York, NY (US)

Primary Examiner—Ralf Seifert

(74) *Attorney, Agent, or Firm*—Cascio & Zervas

(**) Term: **14 Years**

(57) **CLAIM**

(21) Appl. No.: **29/353,938**

The ornamental design for a vintage camera-shaped keylight, as shown and described.

(22) Filed: **Jan. 15, 2010**

DESCRIPTION

(51) **LOC (9) Cl.** **03-01**

(52) **U.S. Cl.** **D3/211**

(58) **Field of Classification Search** D11/1-2,
D11/14, 26-29, 89-92, 44, 48, 81, 99; 63/26-28,
63/32; D3/207-212; D8/38; 70/456 B;
206/37.1; D16/200, 207, 210, 216
See application file for complete search history.

FIG. 1 is a front elevational view of the vintage camera-shaped keylight showing my design;

FIG. 2 is a rear elevational view thereof;

FIG. 3 is a top plan view thereof;

FIG. 4 is a bottom plan view thereof;

FIG. 5 is a left side elevational view thereof;

FIG. 6 is a right side elevational view thereof; and,

FIG. 7 is a perspective view thereof with a key chain attached.

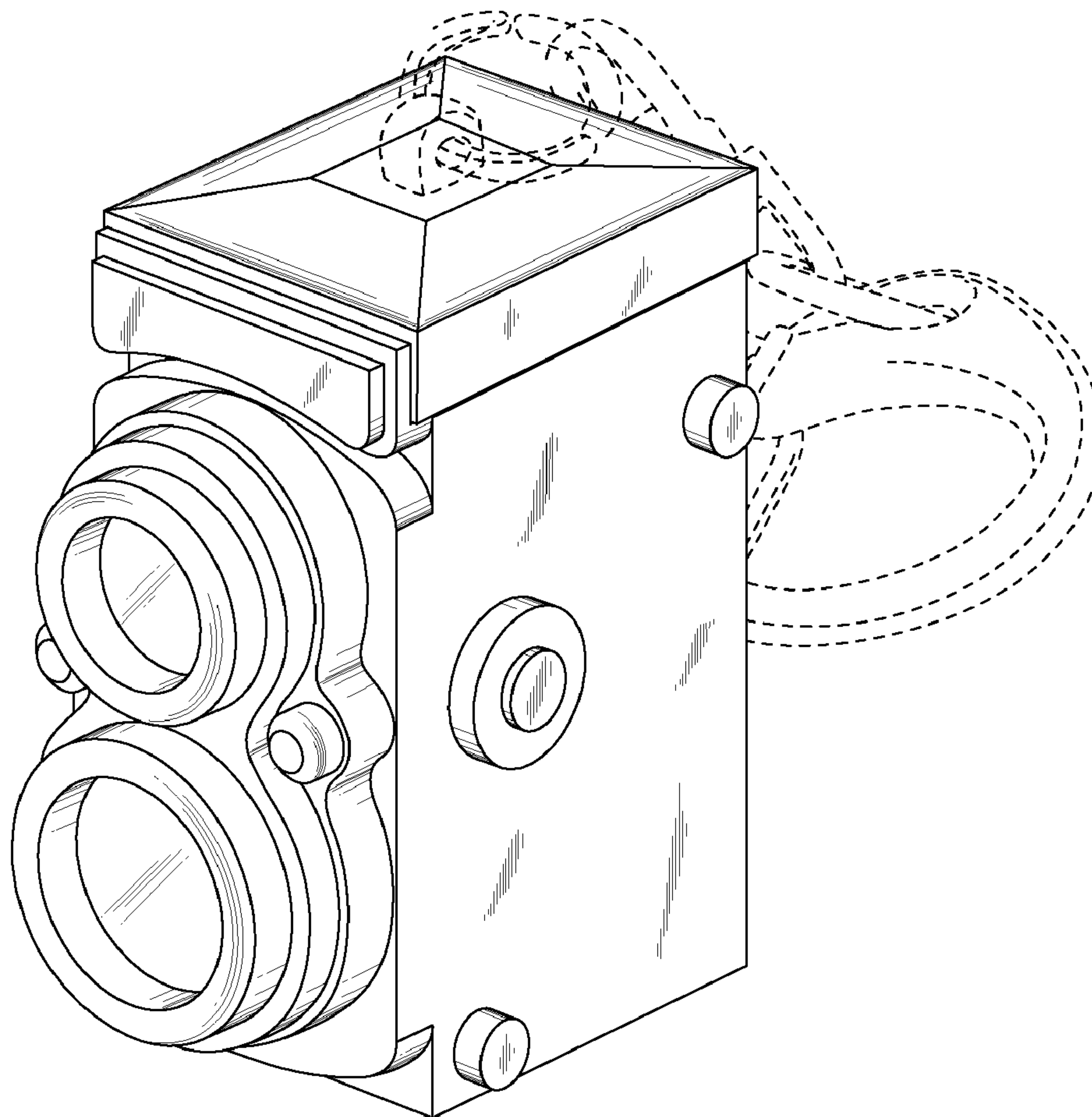
The broken line in FIG. 7 showing a key chain is for illustration purposes only and forms no part of the claimed design.

(56) **References Cited**

U.S. PATENT DOCUMENTS

- D157,847 S * 3/1950 Dreyfuss D16/210
- D179,114 S * 11/1956 Brody D3/209
- D263,651 S * 4/1982 Meo D3/209

1 Claim, 4 Drawing Sheets



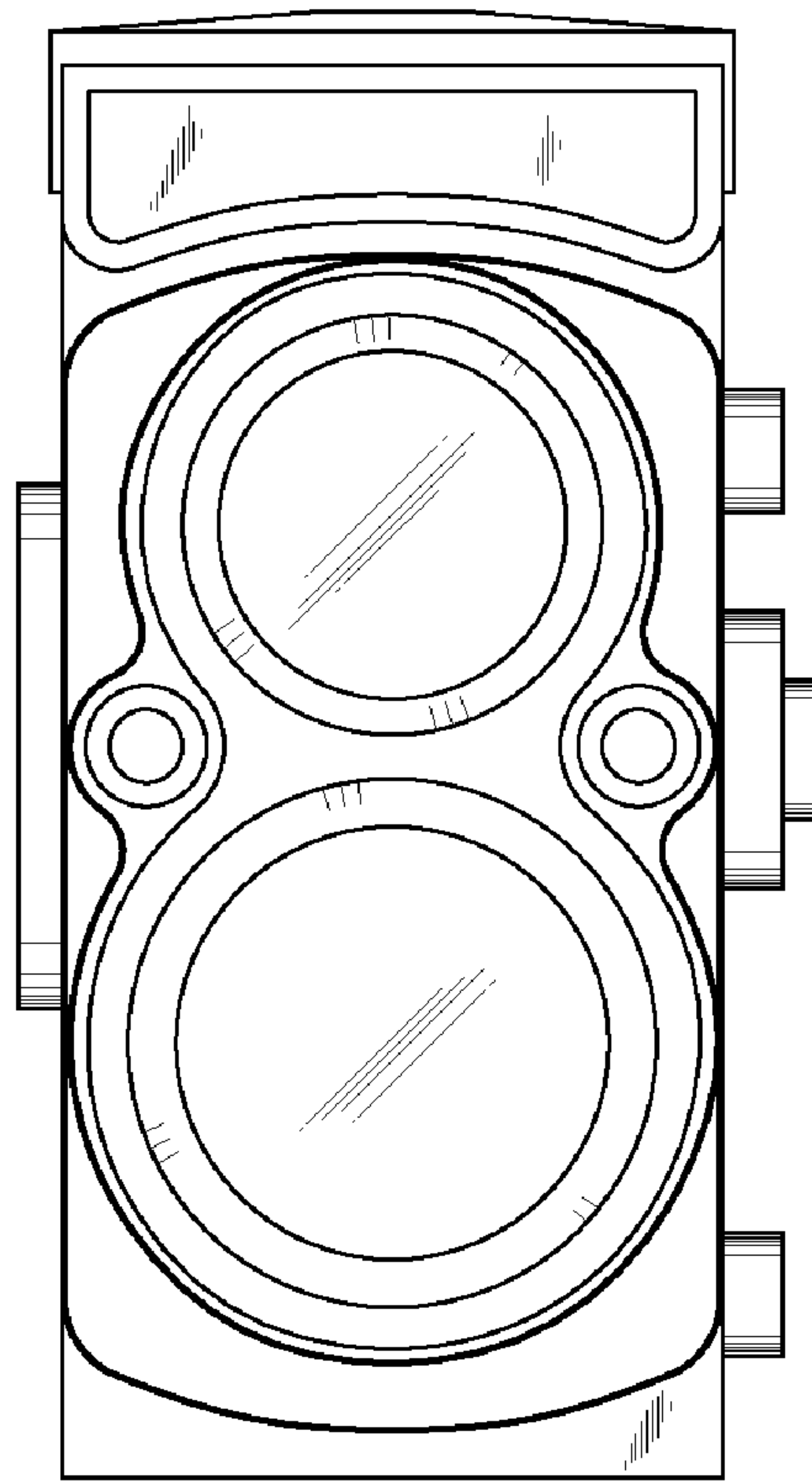


FIG. 1

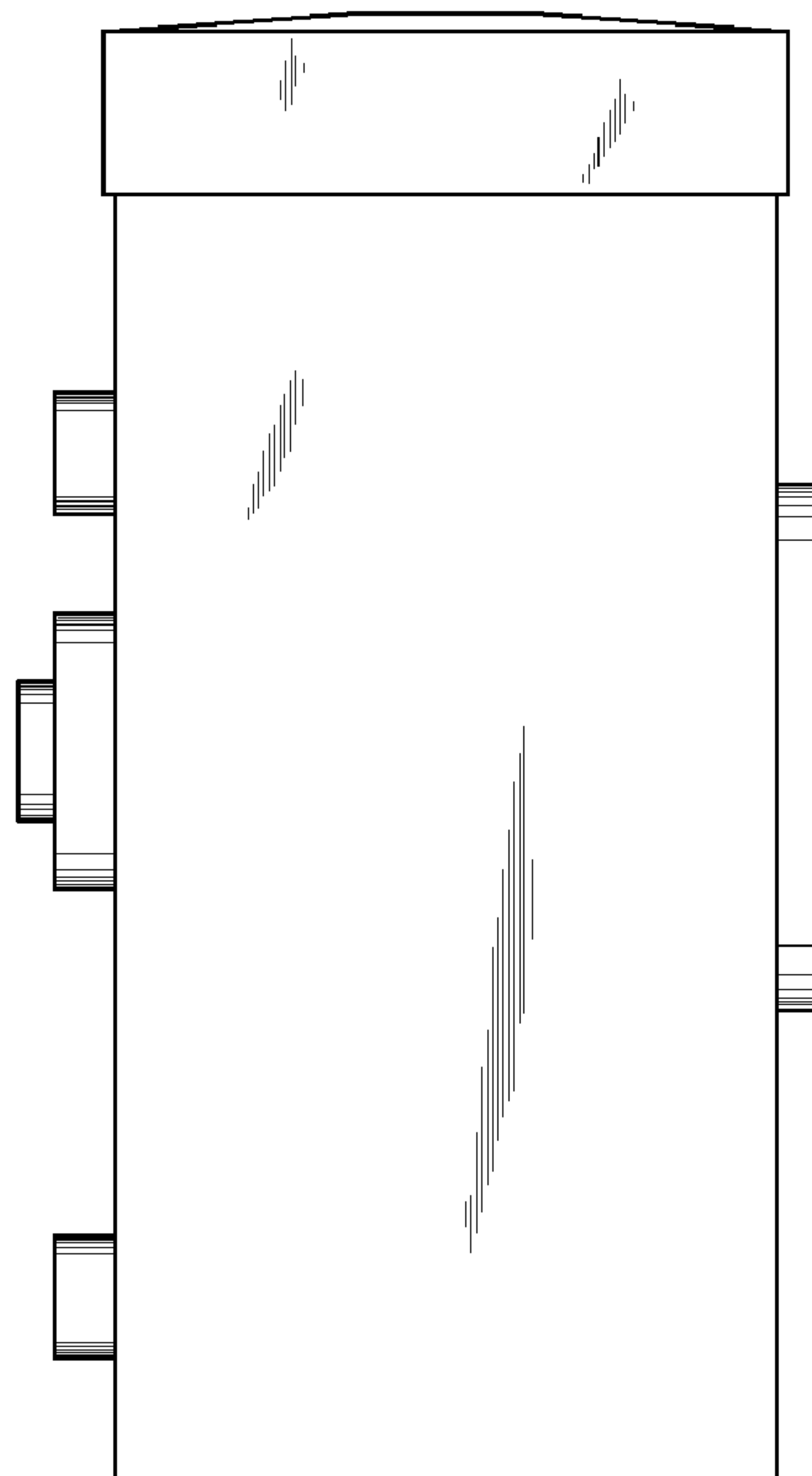


FIG. 2

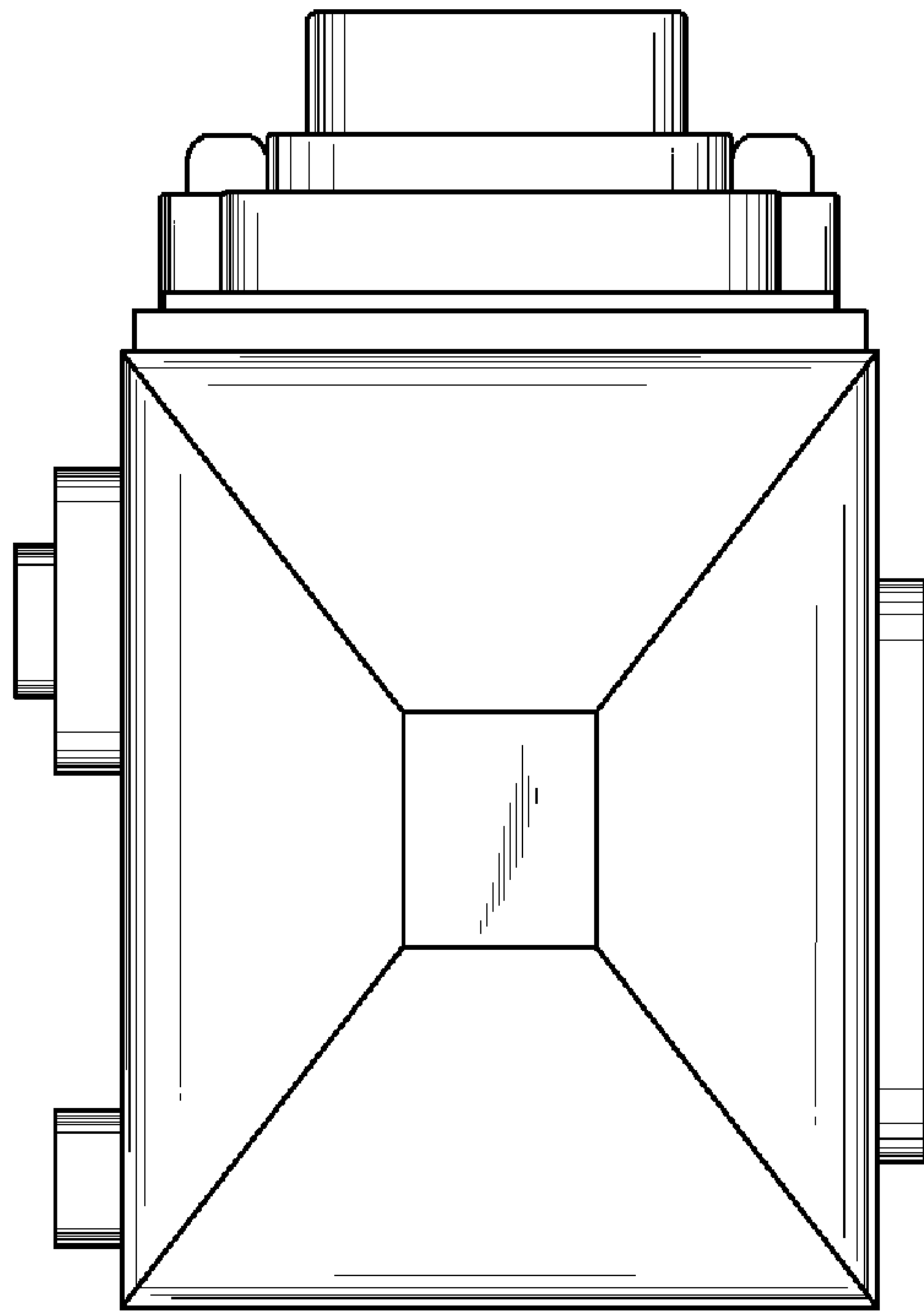


FIG. 3

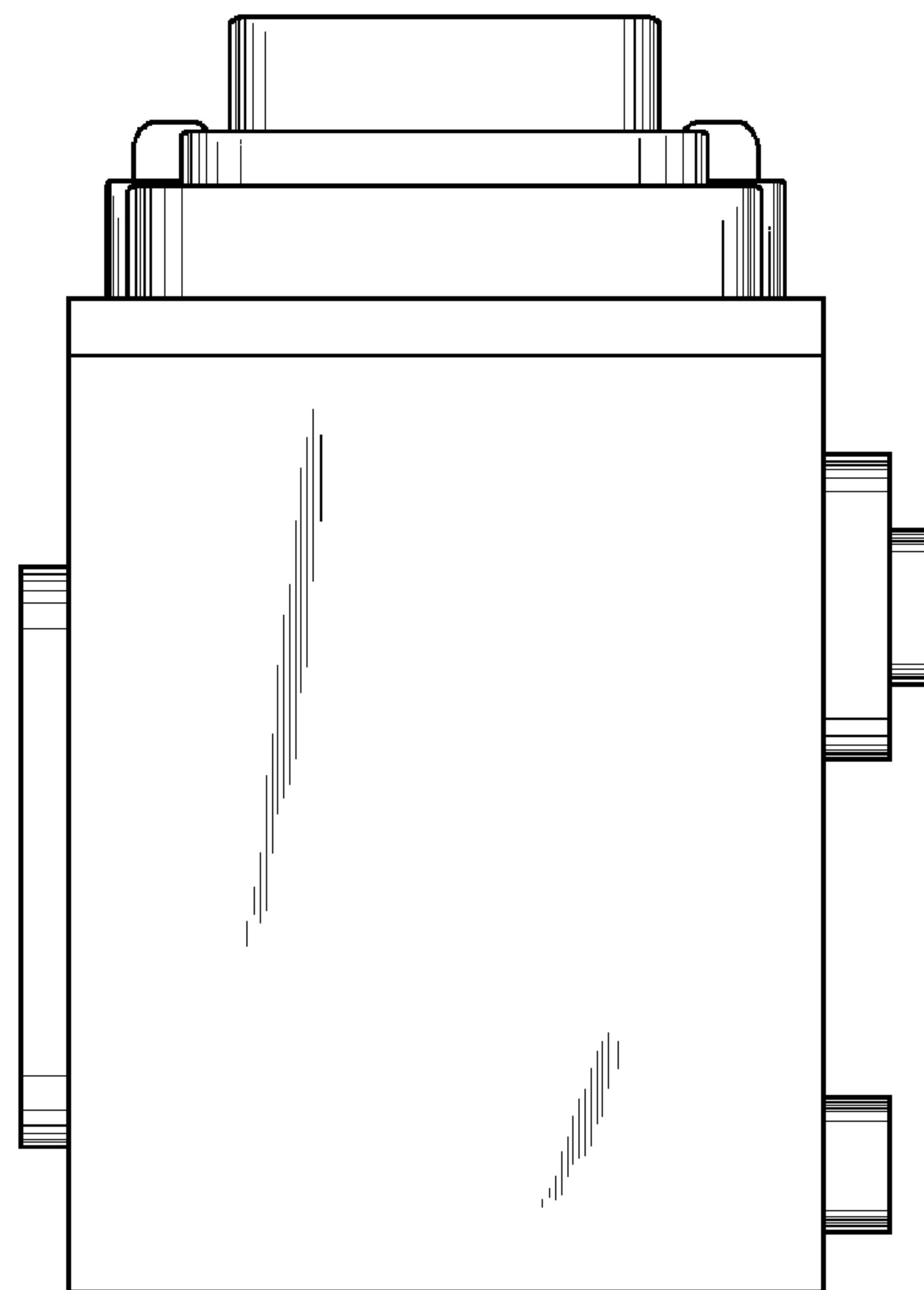


FIG. 4

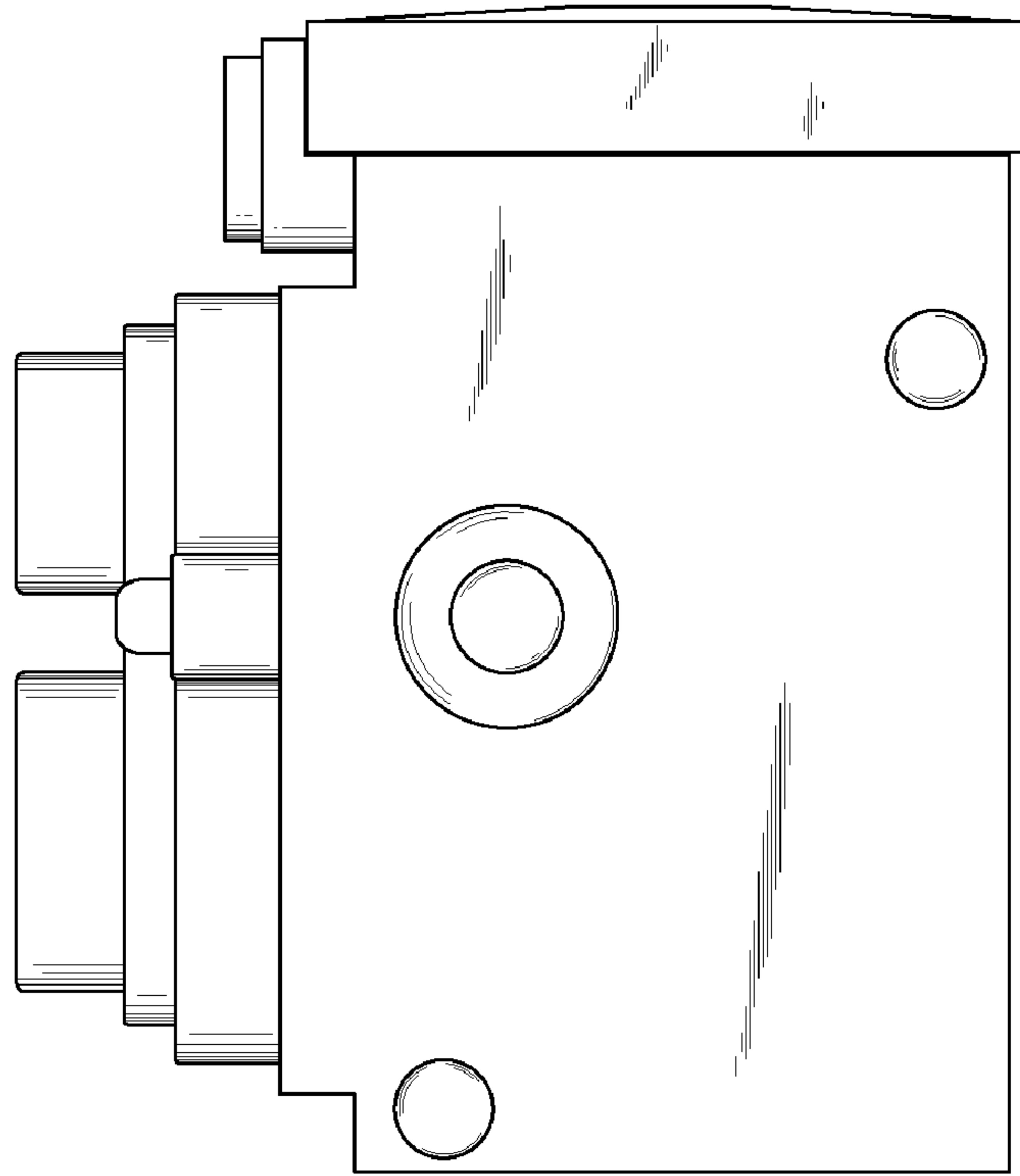


FIG. 5

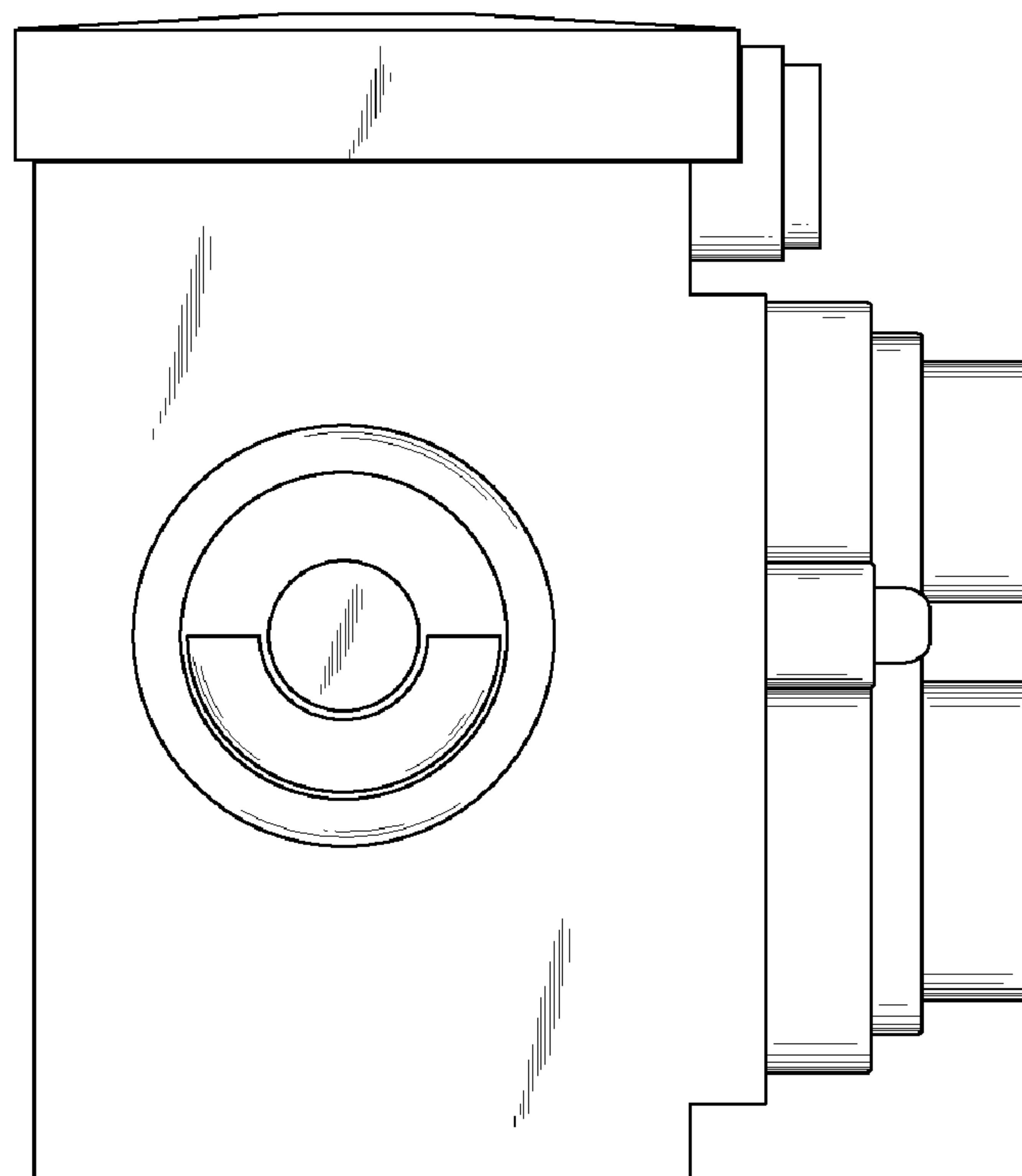


FIG. 6

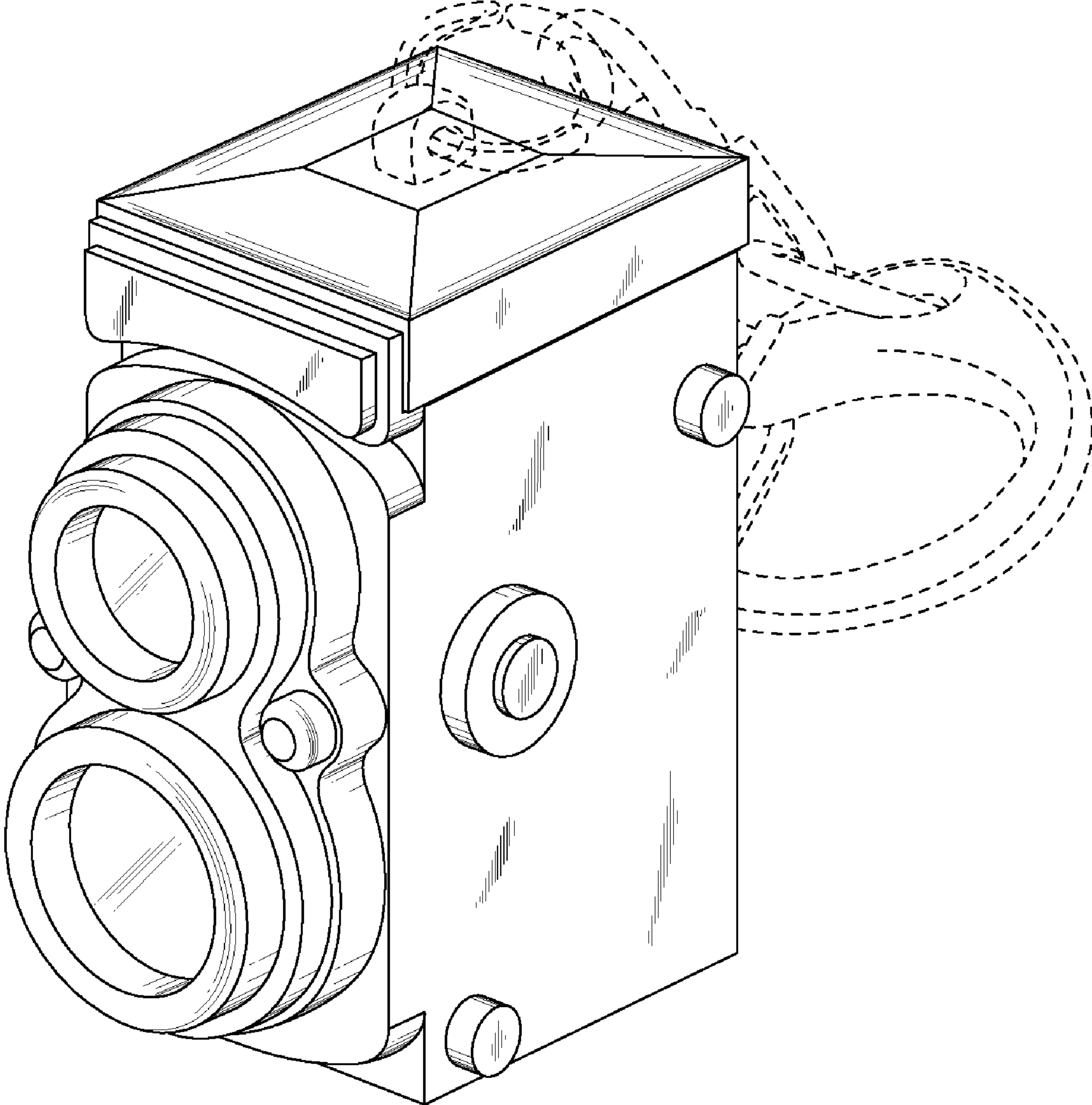


FIG. 7