

US00D621603S

(12) **United States Design Patent**
Traylor

(10) **Patent No.:** **US D621,603 S**

(45) **Date of Patent:** **** Aug. 17, 2010**

(54) **PILL CONTAINER**

(76) Inventor: **Paul L. Traylor**, 19171 Laloma, Santa Ana, CA (US) 92705

(**) Term: **14 Years**

(21) Appl. No.: **29/351,472**

(22) Filed: **Dec. 7, 2009**

(51) **LOC (9) Cl.** **03-01**

(52) **U.S. Cl.** **D3/203.2**

(58) **Field of Classification Search** D3/203.1-203.8,
D3/201, 205; D9/504, 521; D28/7-8, 76-82;
132/293-294, 315; 222/92; 206/530-538,
206/581; 220/8, 907

See application file for complete search history.

(56) **References Cited**

U.S. PATENT DOCUMENTS

D398,444 S *	9/1998	Ricci	D3/203.2
D424,749 S *	5/2000	Zalzal	D28/76
D424,750 S *	5/2000	Zalzal	D28/76
D432,722 S *	10/2000	Wardlaw	D28/76
D485,017 S *	1/2004	Noh	D28/76
D512,636 S *	12/2005	Pace	D9/504
D515,928 S *	2/2006	Pace	D9/504
D531,036 S *	10/2006	Bried et al.	D9/504

D577,290 S *	9/2008	Moretti	D9/504
D592,956 S *	5/2009	Thiellier	D9/504
D612,240 S *	3/2010	Cresswell et al.	D9/504

* cited by examiner

Primary Examiner—Catherine R Oliver

(74) *Attorney, Agent, or Firm*—Mind Law Firm; Jeromye V. Sartain; Justin G. Sanders

(57) **CLAIM**

The ornamental design for a pill container, as shown and described.

DESCRIPTION

FIG. 1 is an exploded perspective view of my new pill container design;

FIG. 2 is a perspective view thereof;

FIG. 3 is a front view thereof;

FIG. 4 is a rear view thereof;

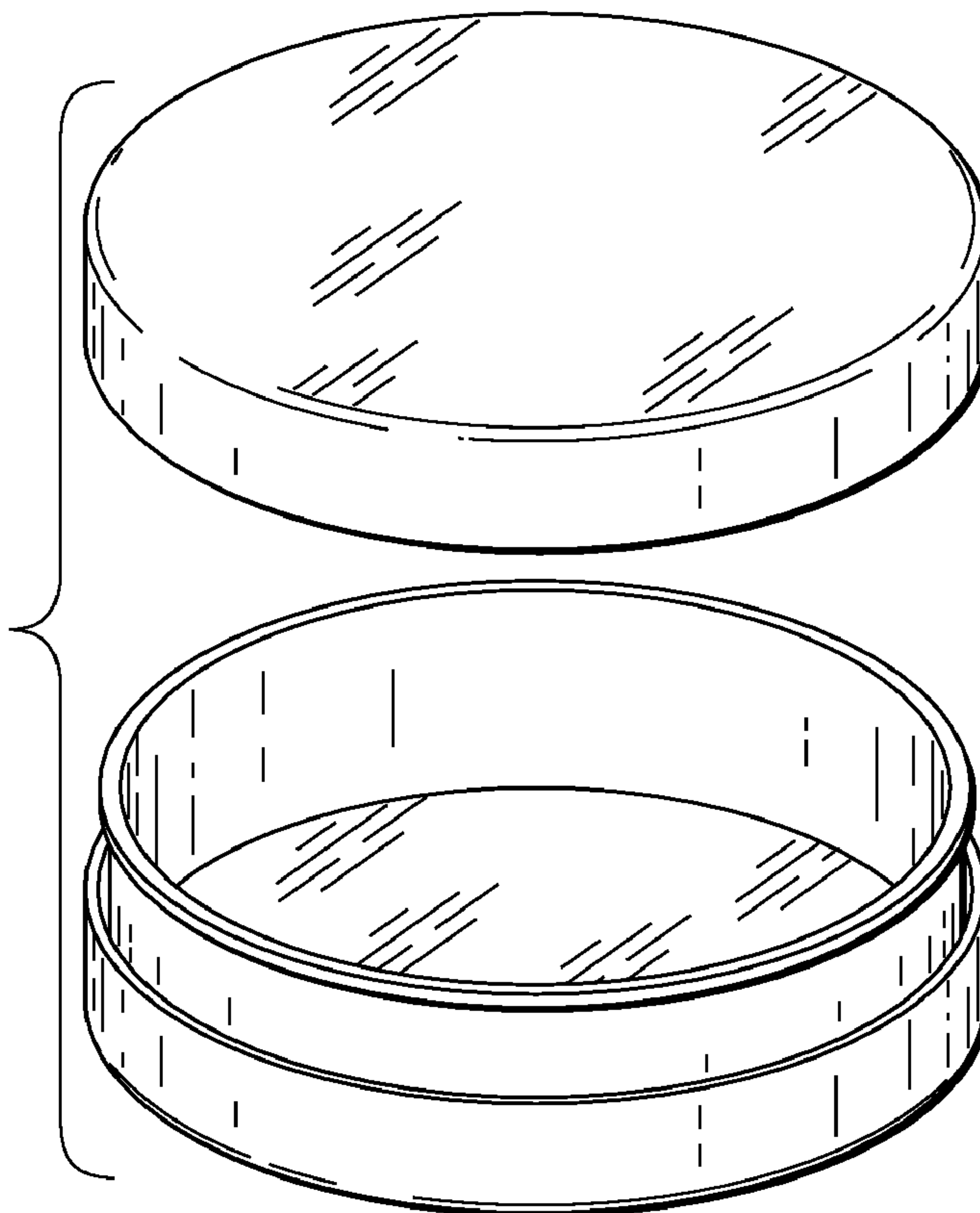
FIG. 5 is a left side view thereof;

FIG. 6 is a right side view thereof;

FIG. 7 is a top view thereof; and,

FIG. 8 is a bottom view thereof.

1 Claim, 2 Drawing Sheets



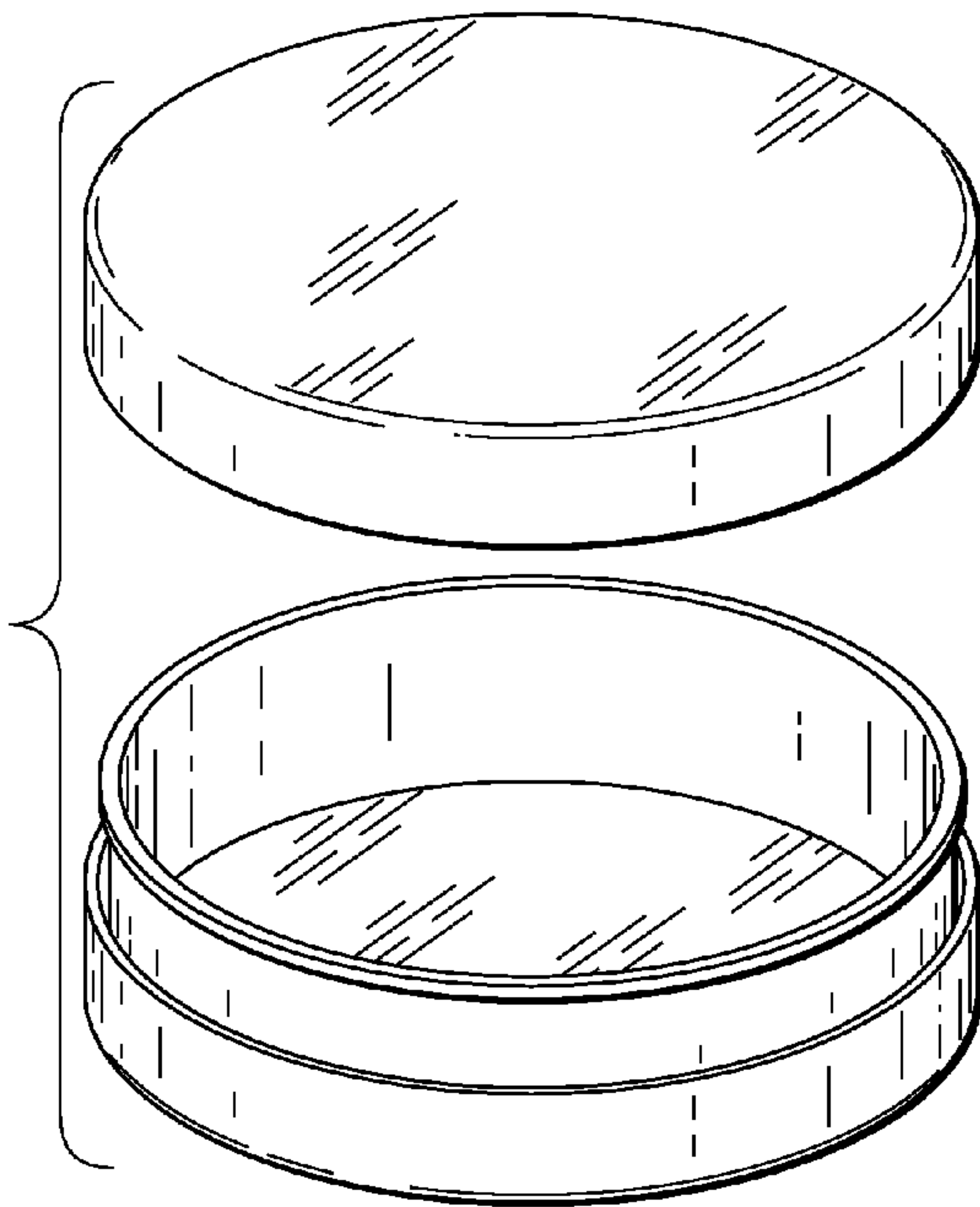


Fig. 1

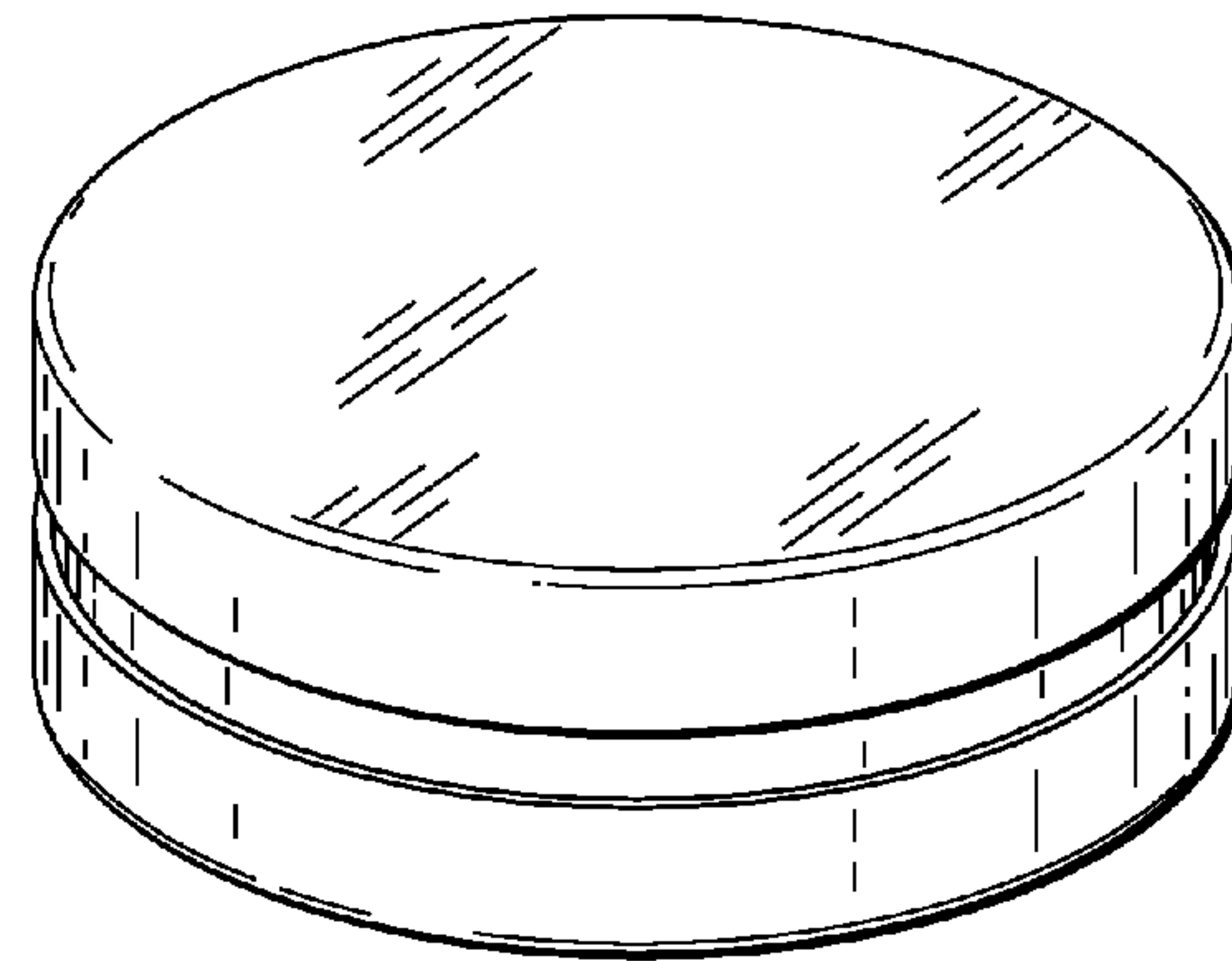


Fig. 2

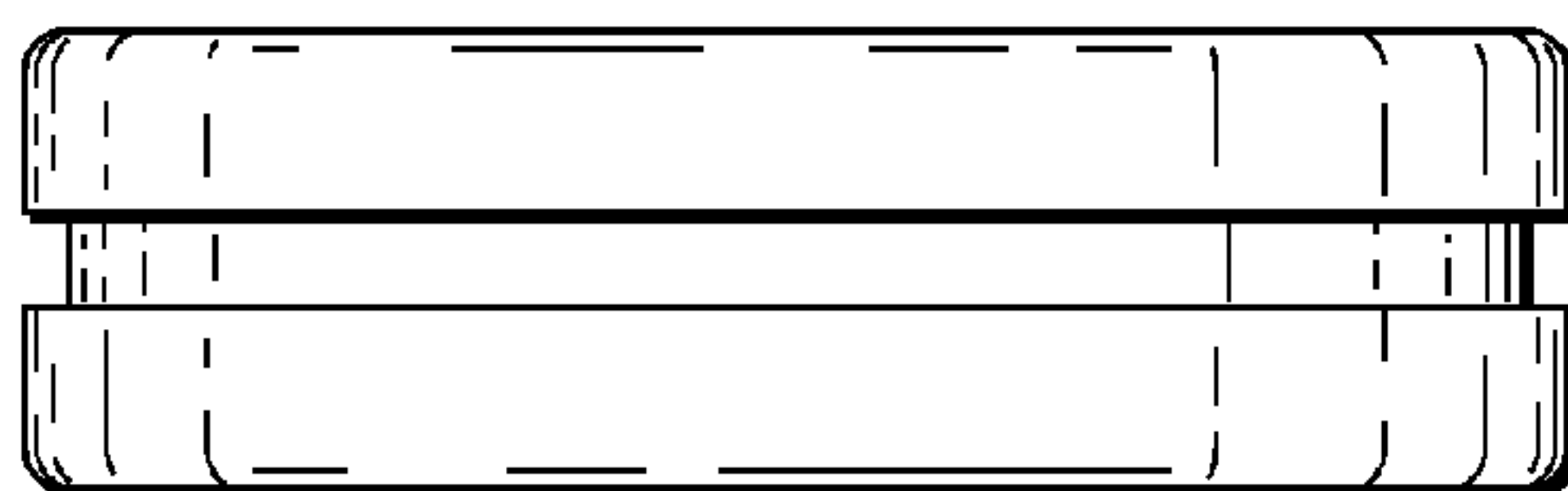


Fig. 3

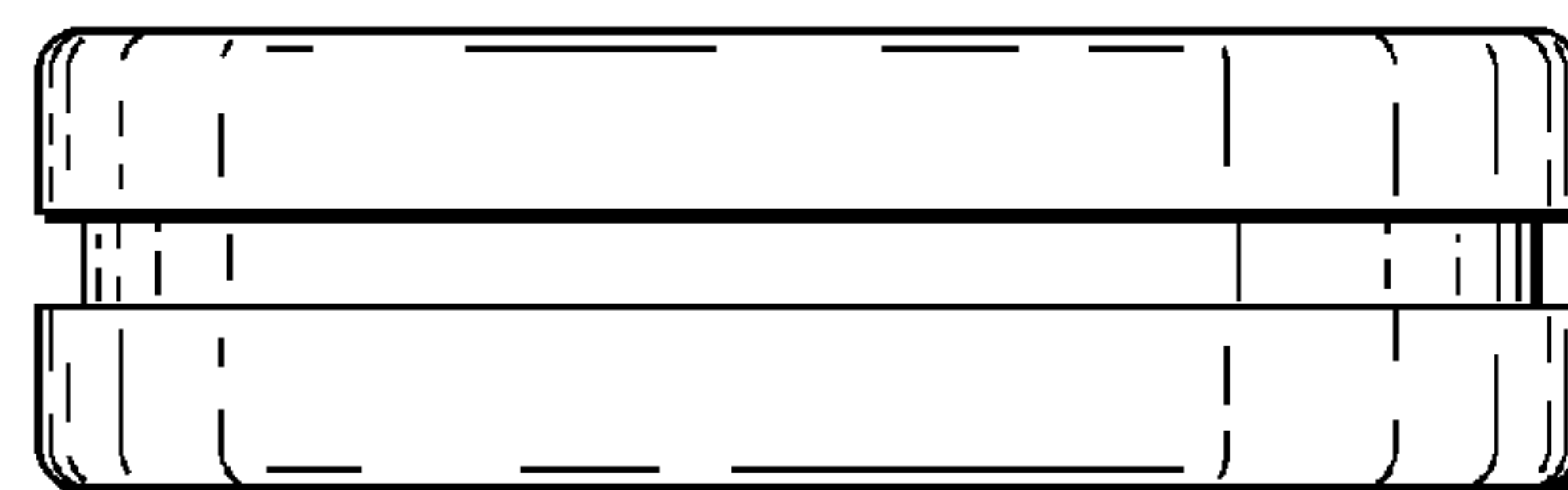


Fig. 4

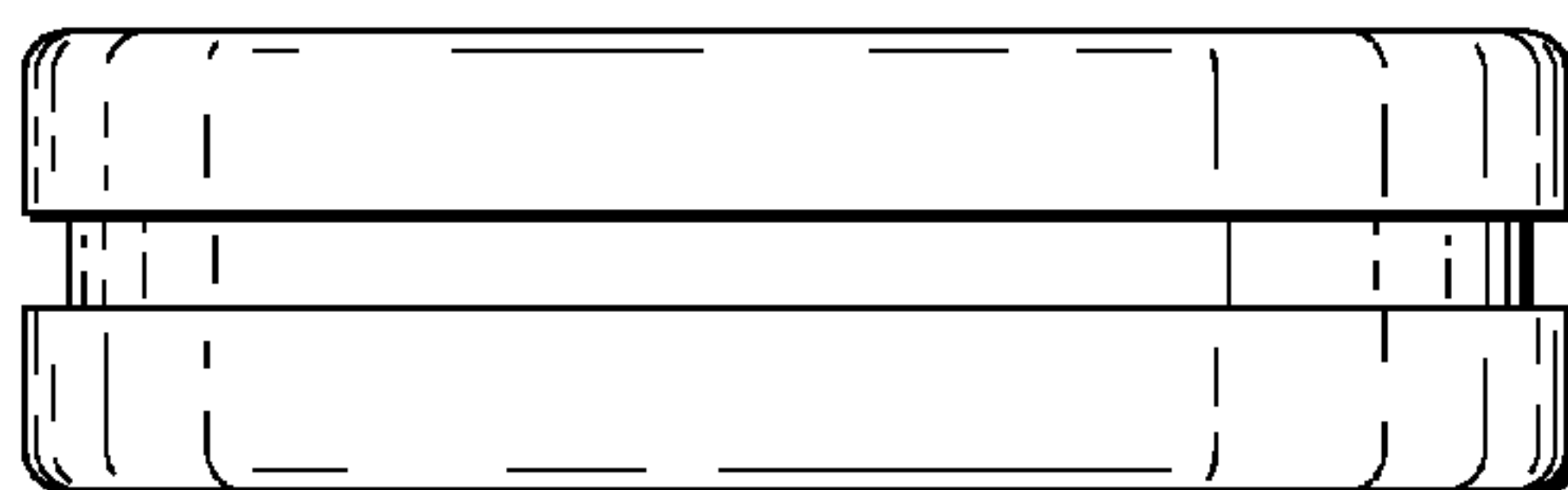


Fig. 5

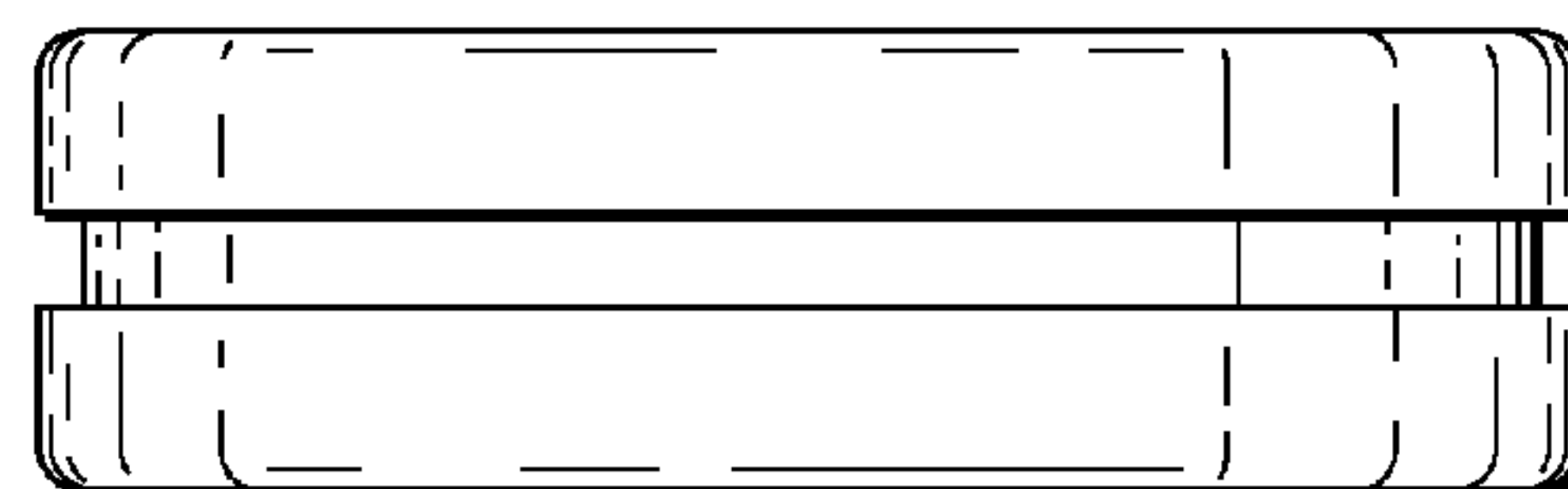


Fig. 6

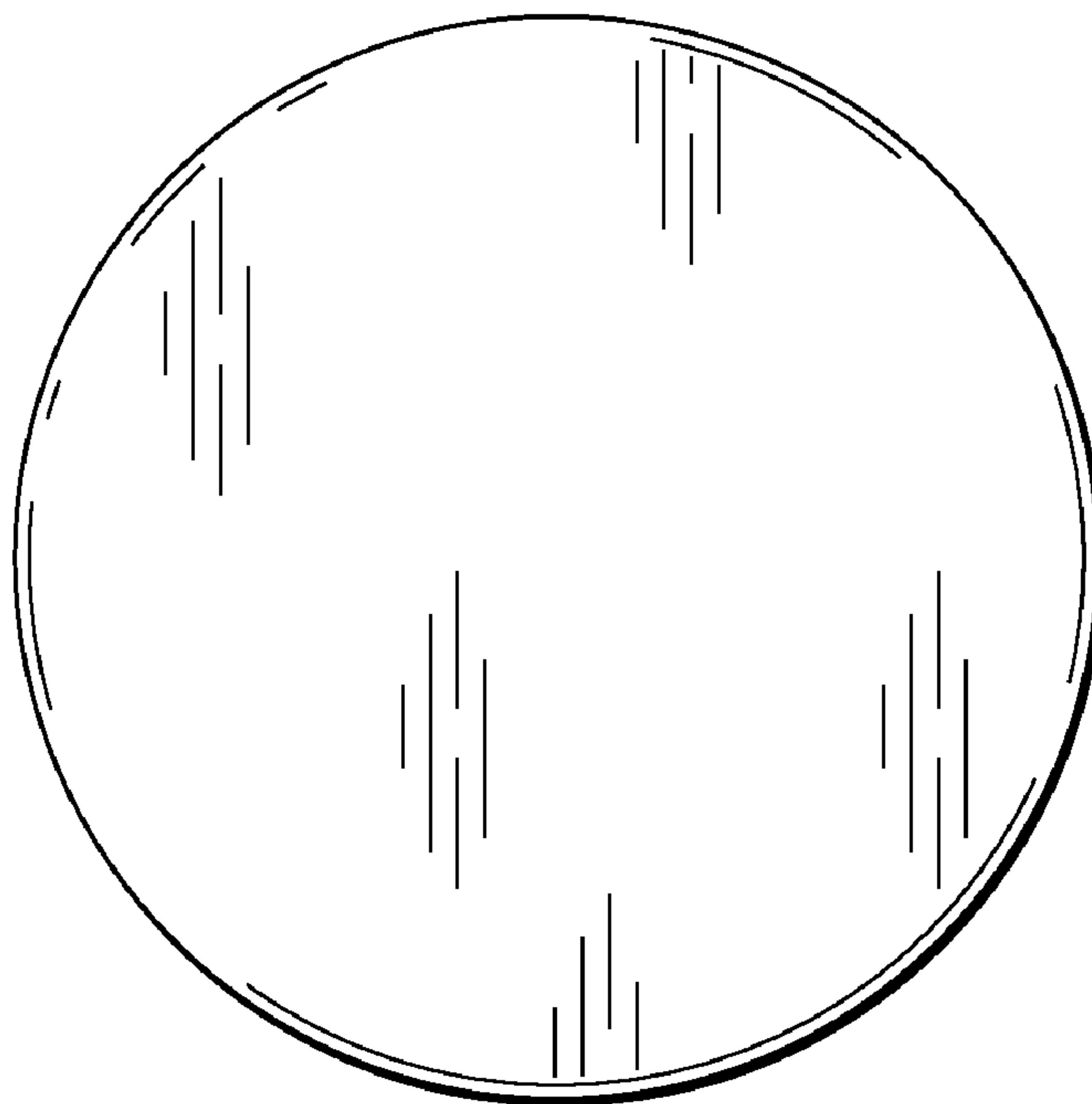


Fig. 7

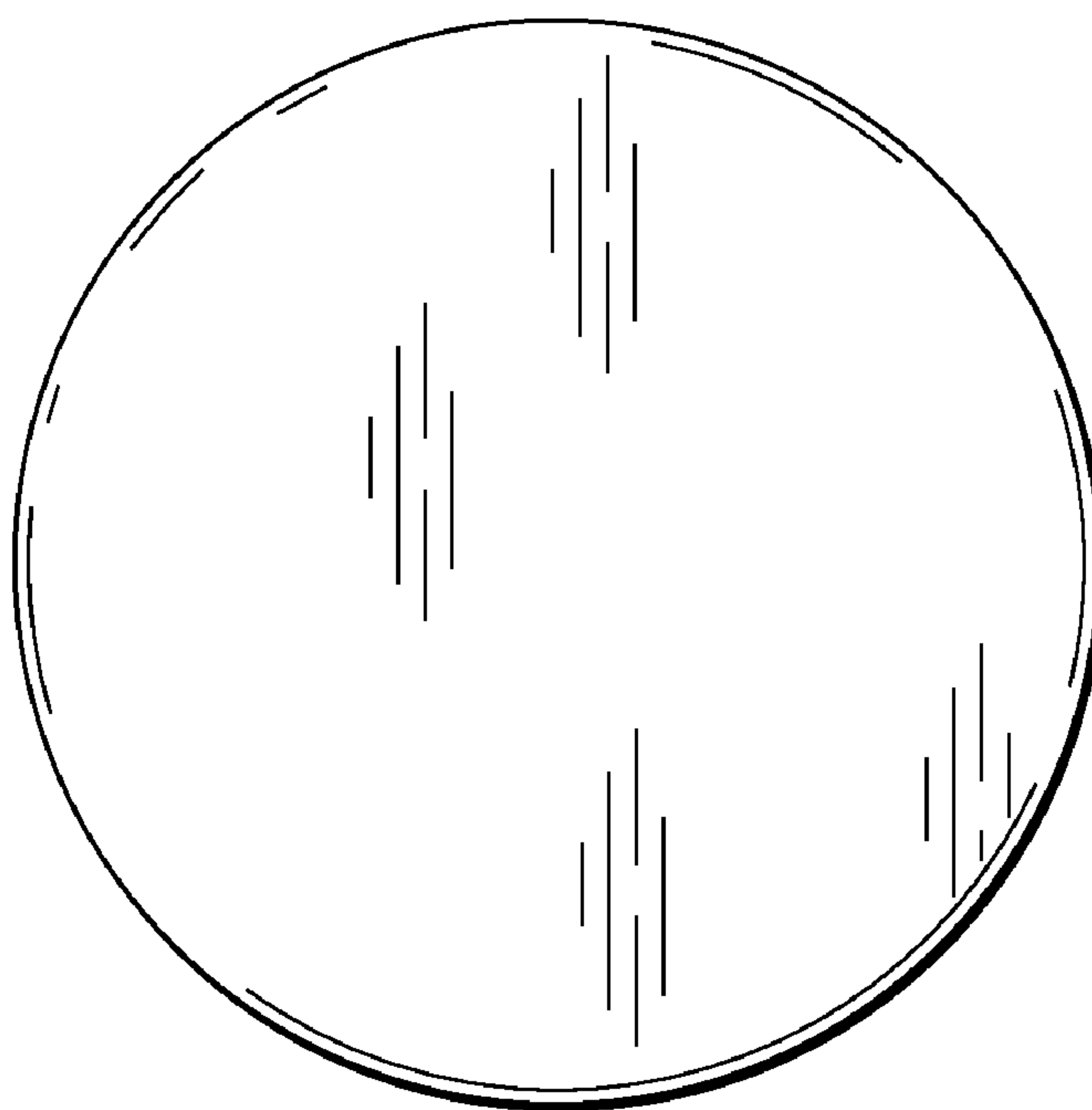


Fig. 8