



US00D621601S

(12) **United States Design Patent**
Greissinger

(10) **Patent No.:** **US D621,601 S**

(45) **Date of Patent:** **** Aug. 17, 2010**

(54) **QUAD CANE**

(76) **Inventor:** **Erik S. Greissinger**, 2507 Bluewater,
Wauconda, IL (US) 60084

(**) **Term:** **14 Years**

(21) **Appl. No.:** **29/314,012**

(22) **Filed:** **Feb. 26, 2009**

(51) **LOC (9) Cl.** **03-03**

(52) **U.S. Cl.** **D3/7**

(58) **Field of Classification Search** D3/5-17;
D12/130, 133; 135/65-73, 76-85

See application file for complete search history.

(56) **References Cited**

U.S. PATENT DOCUMENTS

332,684 A	12/1885	Tuttle	
710,074 A	9/1902	Pratt	
2,230,406 A	2/1941	Johnson	
2,642,074 A	6/1953	Pedley et al.	
3,040,757 A	6/1962	Smith	
3,467,117 A	9/1969	Lucibello	
3,738,674 A	6/1973	Pauls	
4,044,784 A	8/1977	Smith	
4,085,763 A	4/1978	Thomas	
4,091,828 A	5/1978	Jorgensen	
4,440,186 A *	4/1984	Lottner	135/84
4,510,957 A	4/1985	Frank	
4,708,154 A	11/1987	Edwards	
4,881,564 A	11/1989	Fetterman	
D307,666 S *	5/1990	Fisher	D3/9
4,940,203 A	7/1990	Hayakawa	
4,947,882 A	8/1990	Levasseur	
4,995,412 A *	2/1991	Hirn et al.	135/67
4,997,001 A	3/1991	DiCarlo	
5,088,513 A	2/1992	Ostermeyer	
D324,946 S *	3/1992	Karten	D3/17
5,238,013 A	8/1993	Battiston et al.	
5,307,828 A	5/1994	Gardner et al.	
5,361,793 A *	11/1994	Stahnke	135/65
5,390,687 A	2/1995	Tsai	
5,533,536 A	7/1996	Hong	
5,692,533 A	12/1997	Meltzer	

5,865,204 A	2/1999	Bracy	
6,138,699 A *	10/2000	Su	135/82
D513,862 S *	1/2006	Kivela	D3/9
7,047,990 B2	5/2006	Zambrano et al.	
D593,745 S *	6/2009	Stanec	D3/10
2001/0001959 A1 *	5/2001	Iwasa	135/68
2004/0250845 A1	12/2004	Rudin et al.	
2006/0219280 A1 *	10/2006	Robinson et al.	135/84

OTHER PUBLICATIONS

Medline Industries, Medline Product Catalogue (on line ordering system), 2008, Mundelein, Illinois, USA (3p).

* cited by examiner

Primary Examiner—T. Chase Nelson

Assistant Examiner—Anhdao Doan

(74) *Attorney, Agent, or Firm*—Meroni & Meroni, P.C.; Charles F. Meroni, Jr.; Christopher J. Scott

(57) **CLAIM**

The ornamental design for the quad cane, as shown and described.

DESCRIPTION

FIG. 1 is a perspective view of a quad cane shown in the condition of use;

FIG. 2 is a right side elevational view thereof with the support member portion being shown in a vertical position;

FIG. 3 is another right side elevational view thereof with the support member portion being shown in a first horizontal position;

FIG. 4 is another right side elevational view thereof with the support member portion being shown in a second horizontal position;

FIG. 5 is a left side elevational view thereof with the support member portion being shown in a vertical position;

FIG. 6 is a rear elevational view thereof with the support member portion being shown in a vertical position;

FIG. 7 is another rear elevational view thereof with the support member portion being shown in a horizontal position;

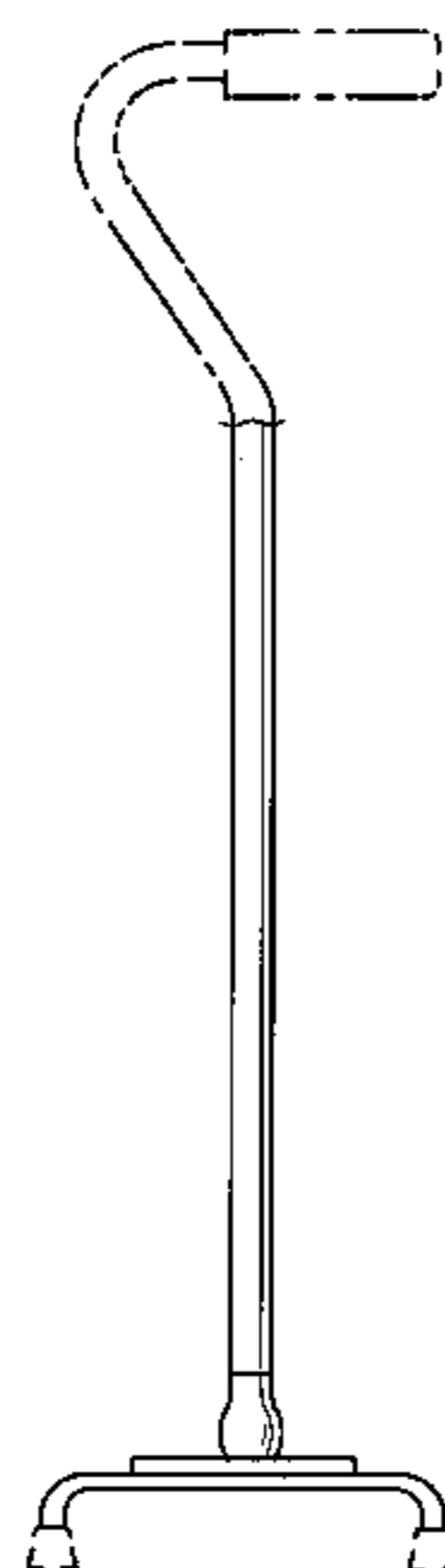


FIG. 8 is a front elevational view thereof with the support member portion being shown in a vertical position;

FIG. 9 is another front elevational view thereof with the support member portion being shown in a horizontal position;

FIG. 10 is a top plan view thereof with the support member portion being shown in a vertical position;

FIG. 11 is a fragmental top plan view thereof with the support member portion being shown in a first horizontal position;

FIG. 12 is another fragmental top plan view thereof with the support member portion being shown in a second horizontal position;

FIG. 13 is another fragmental top plan view thereof with the support member portion being shown in a third horizontal position;

FIG. 14 is another fragmental top plan view thereof with the support member portion being shown in a fourth horizontal position;

FIG. 15 is a bottom plan view thereof with the support member portion being shown in a first horizontal position;

FIG. 16 is a fragmental bottom plan view thereof with the support member portion being shown in a first horizontal position;

FIG. 17 is another fragmental bottom plan view thereof with the support member portion being shown in a second horizontal position;

FIG. 18 is another fragmental bottom plan view thereof with the support member portion being shown in a third horizontal position; and,

FIG. 19 is another fragmental bottom plan view thereof with the support member portion being shown in a fourth horizontal position.

The broken line showing the user and floor in Figure No. 1 represents the environment. All other broken lines in the drawing views are included for the purpose of illustrating portions of the quad cane that form no part of the claimed design. None of the broken lines from a part of the claimed design.

1 Claim, 14 Drawing Sheets

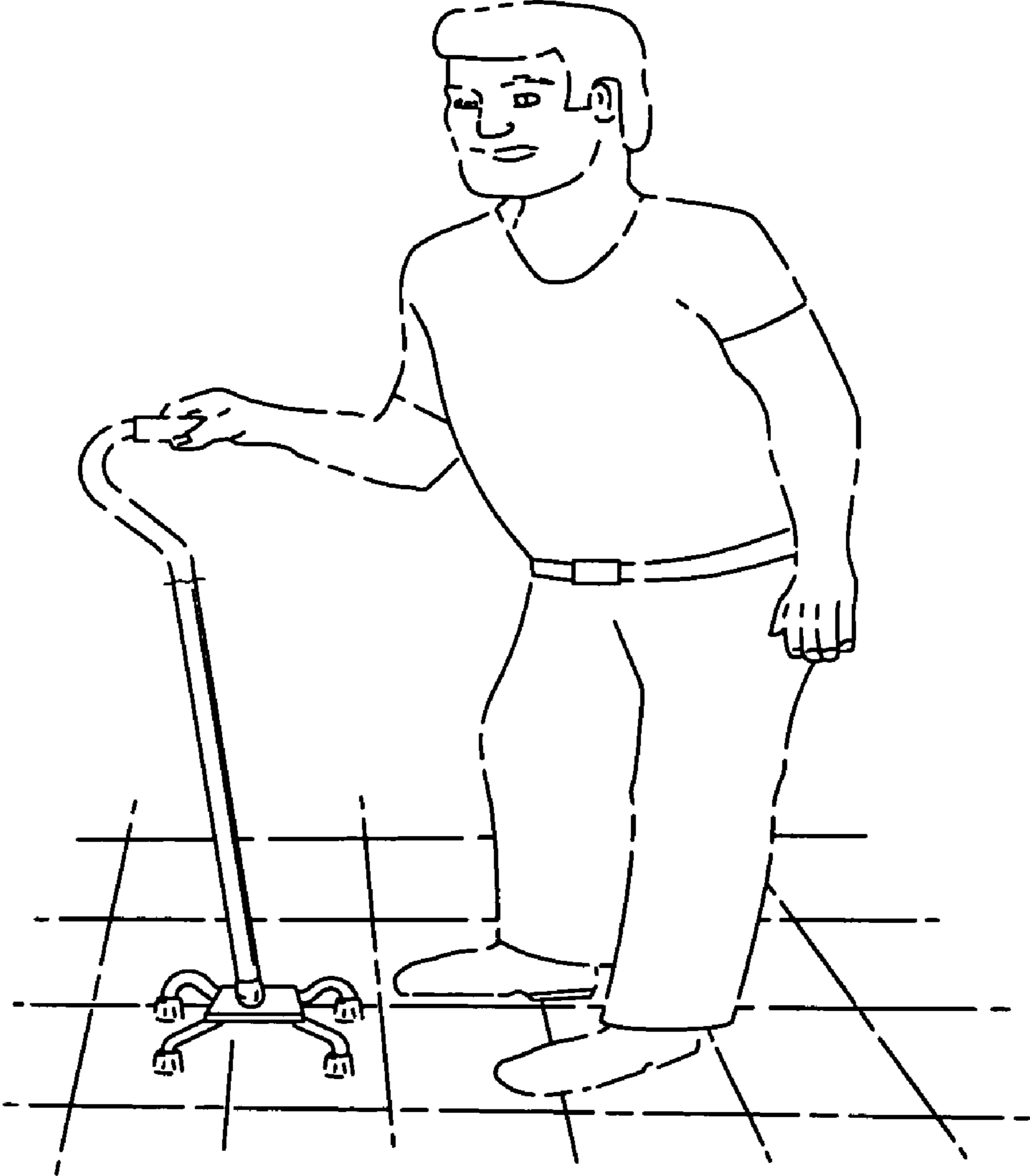


Fig. 1

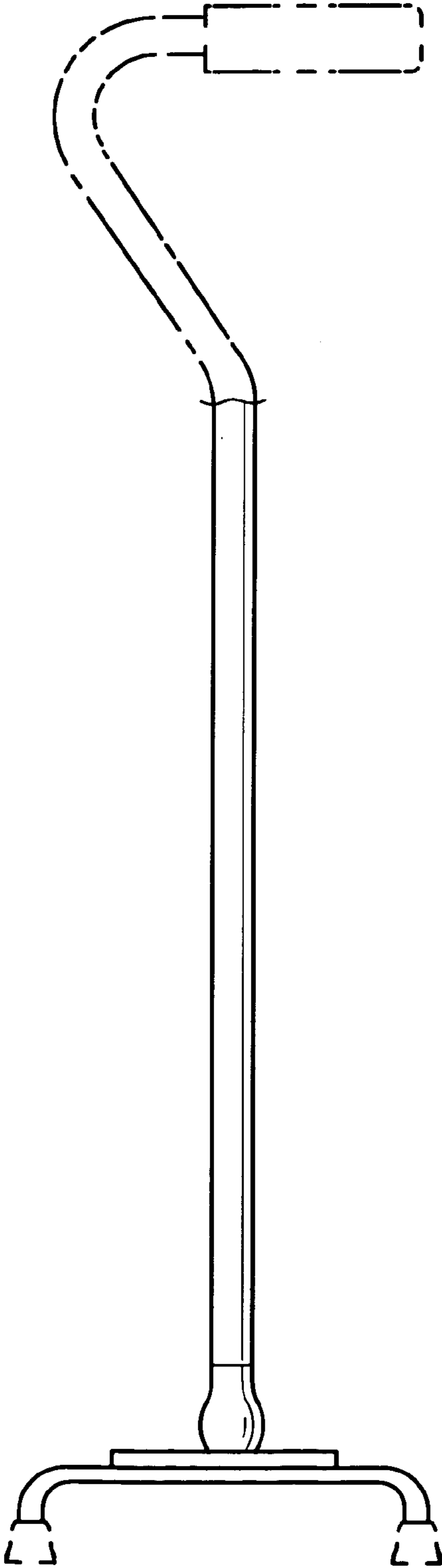


Fig. 2

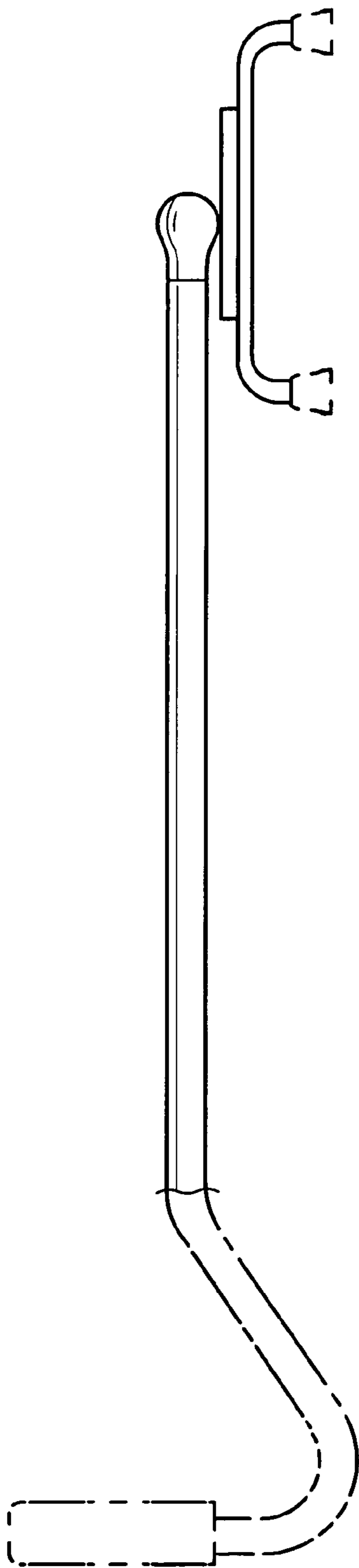


Fig. 3

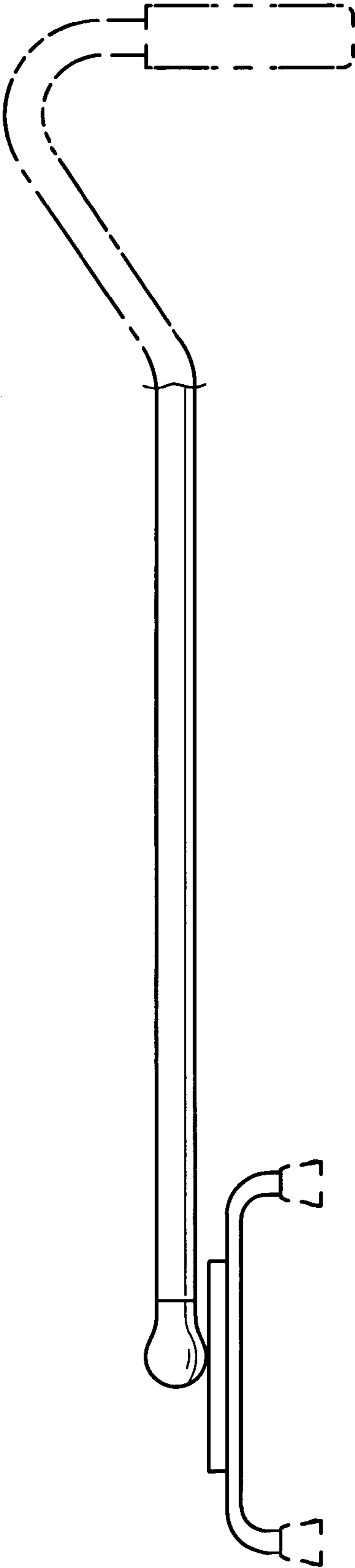


Fig. 4

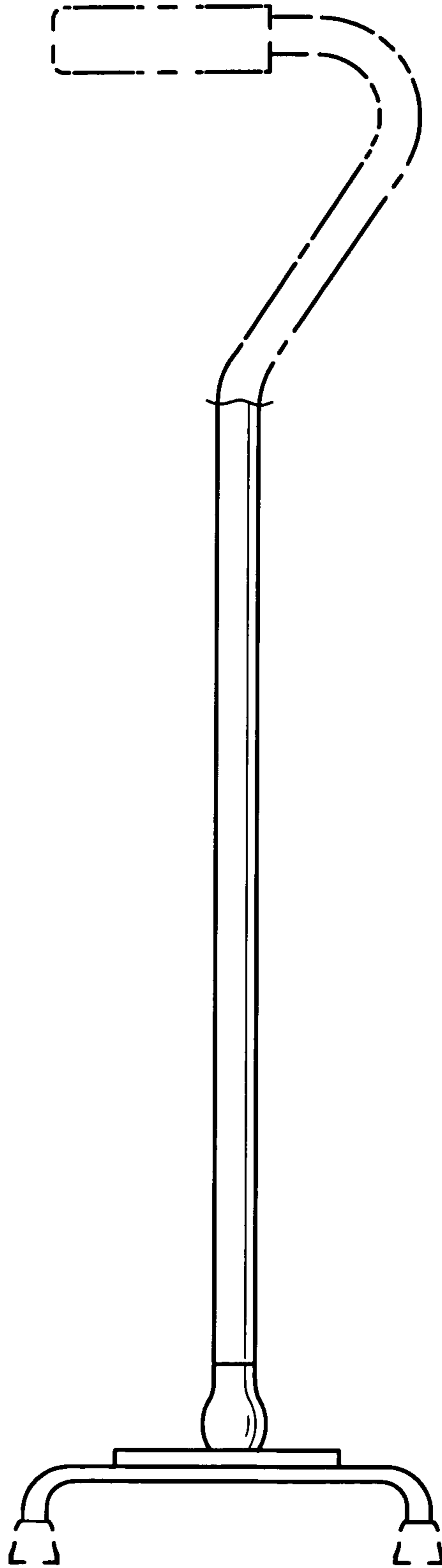


Fig. 5

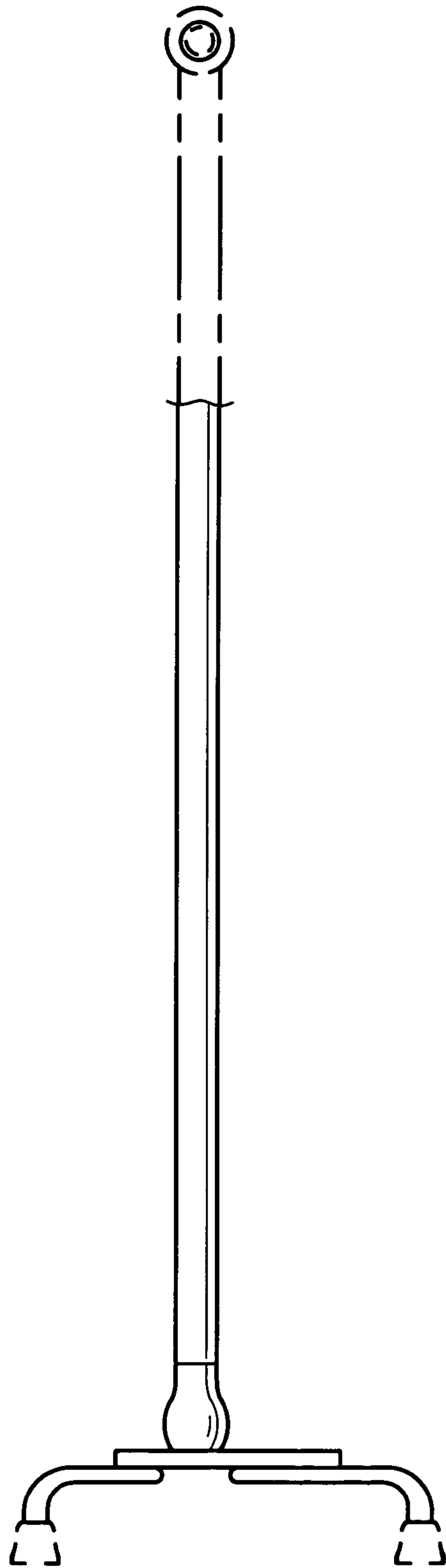


Fig. 6

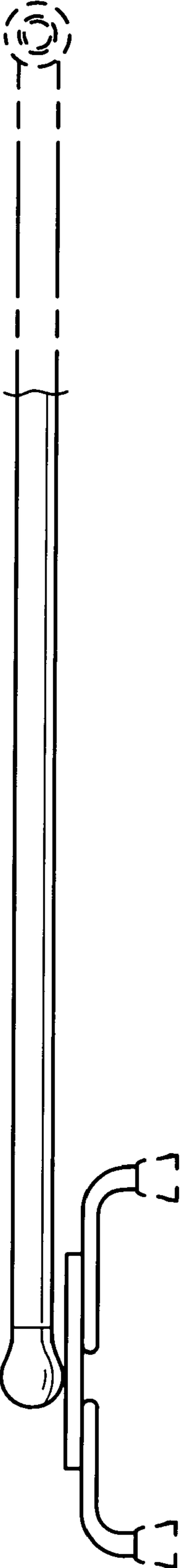


Fig. 7

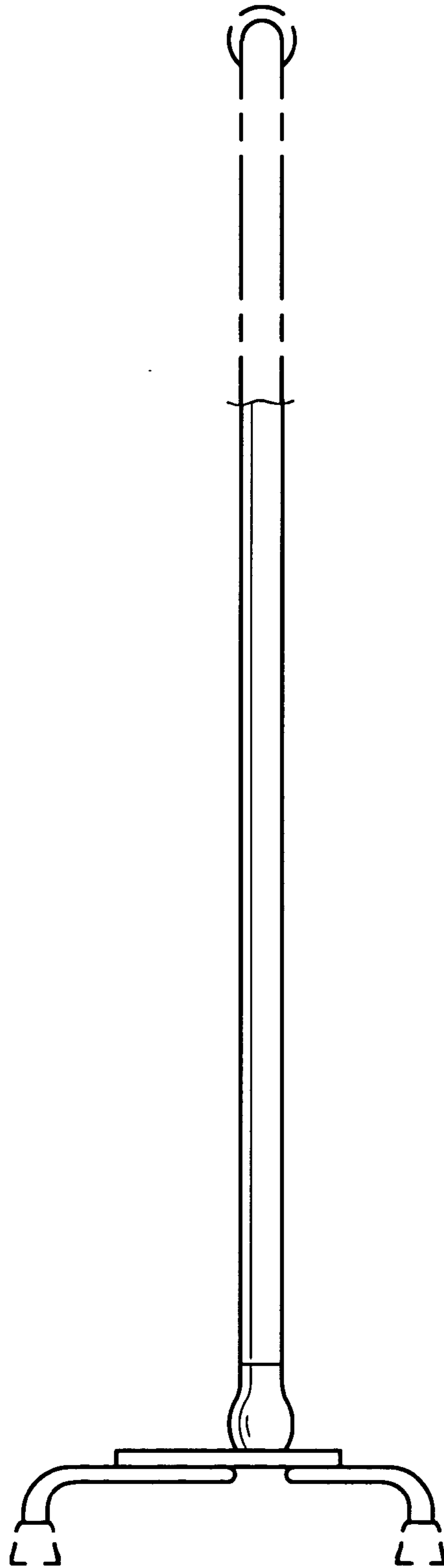


Fig. 8

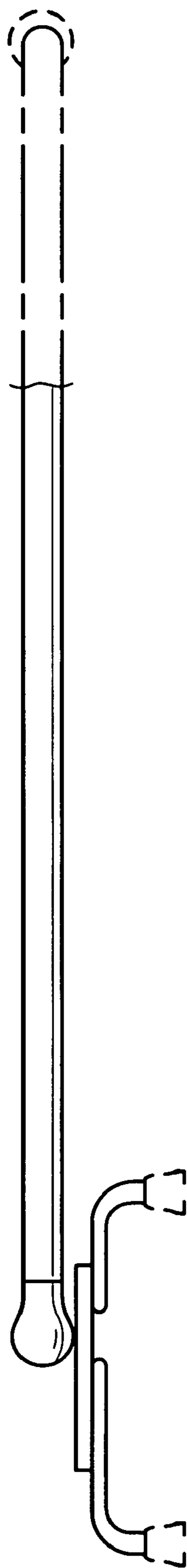


Fig. 9

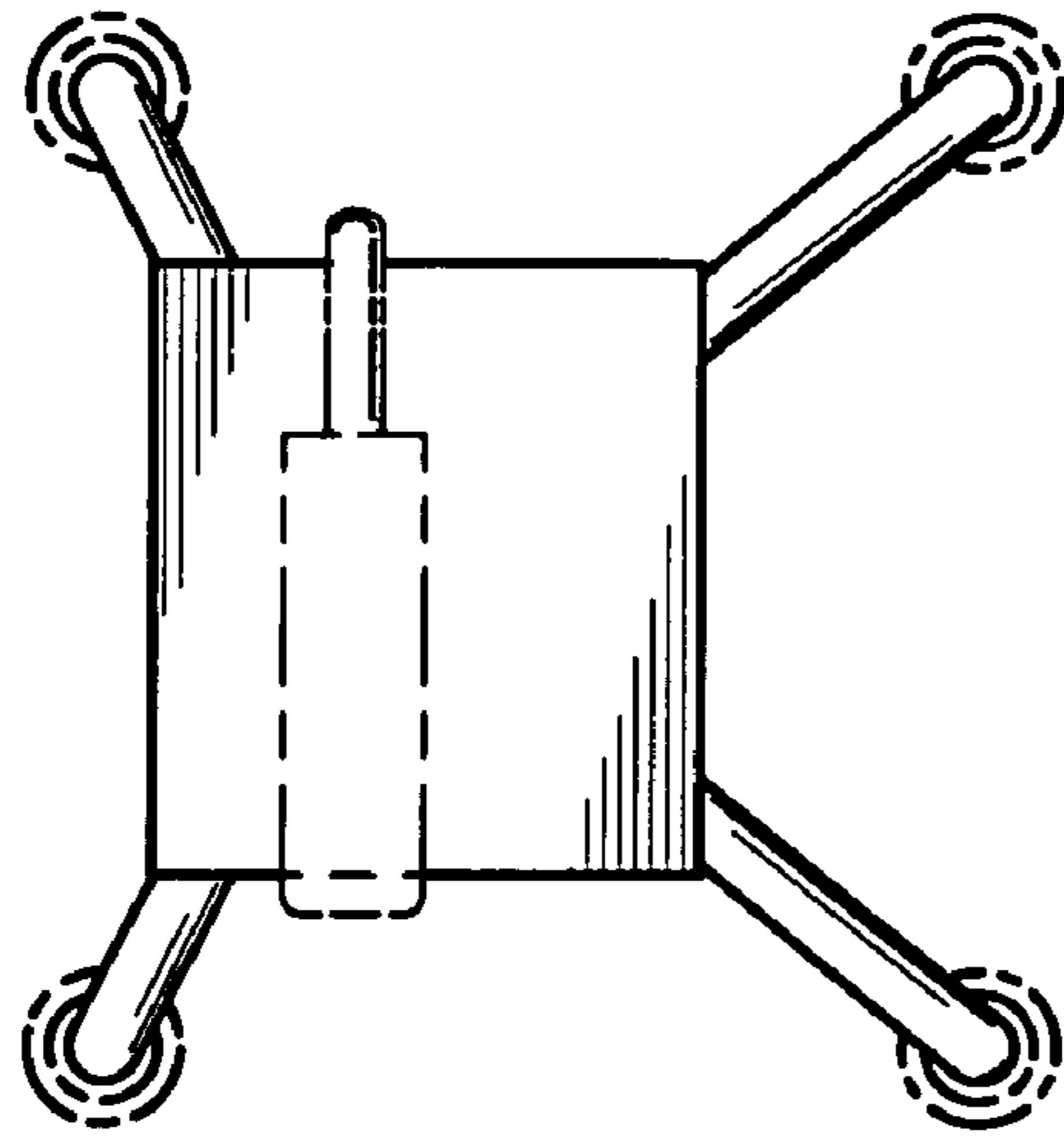


Fig. 10

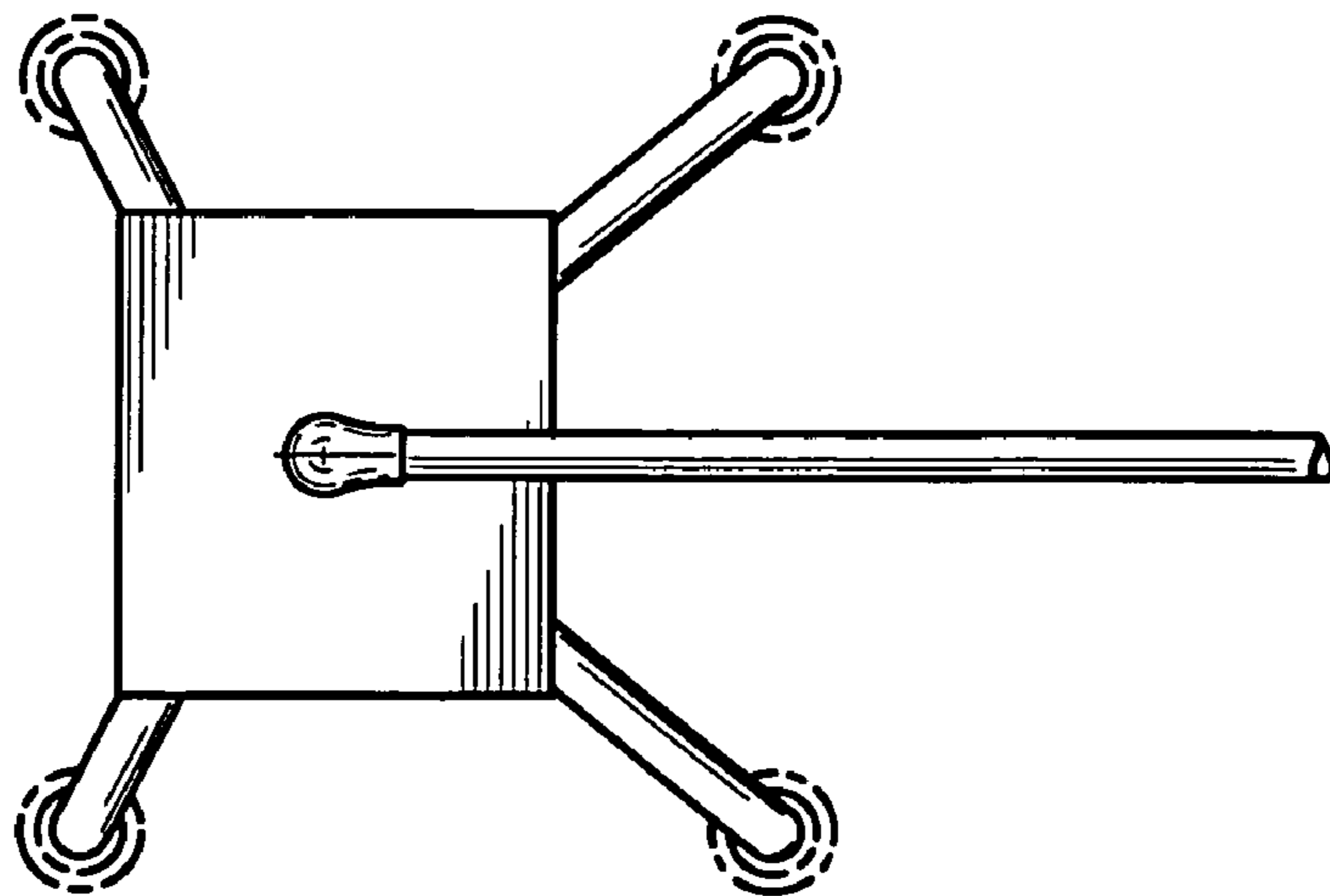


Fig. 11

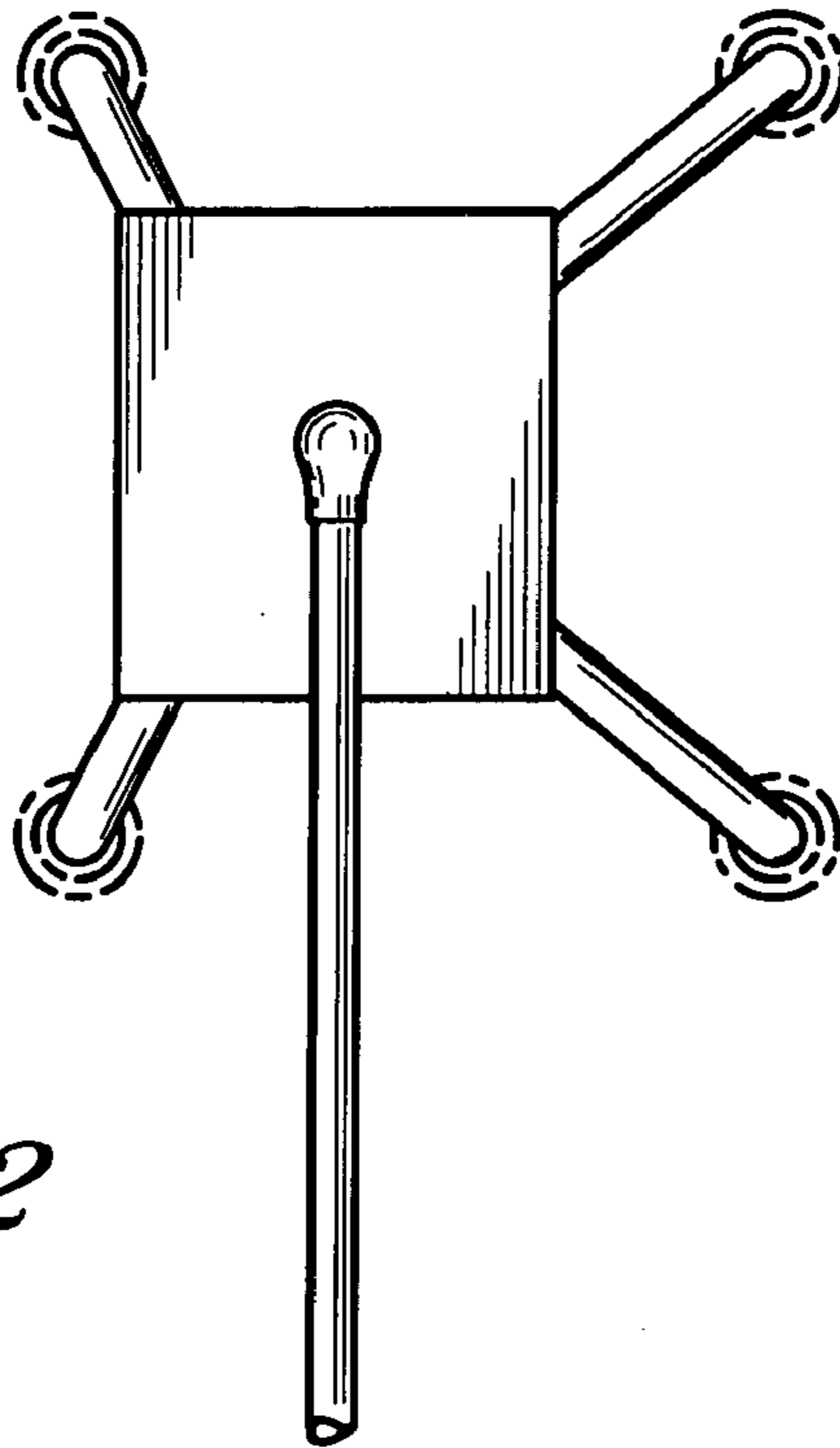


Fig. 12

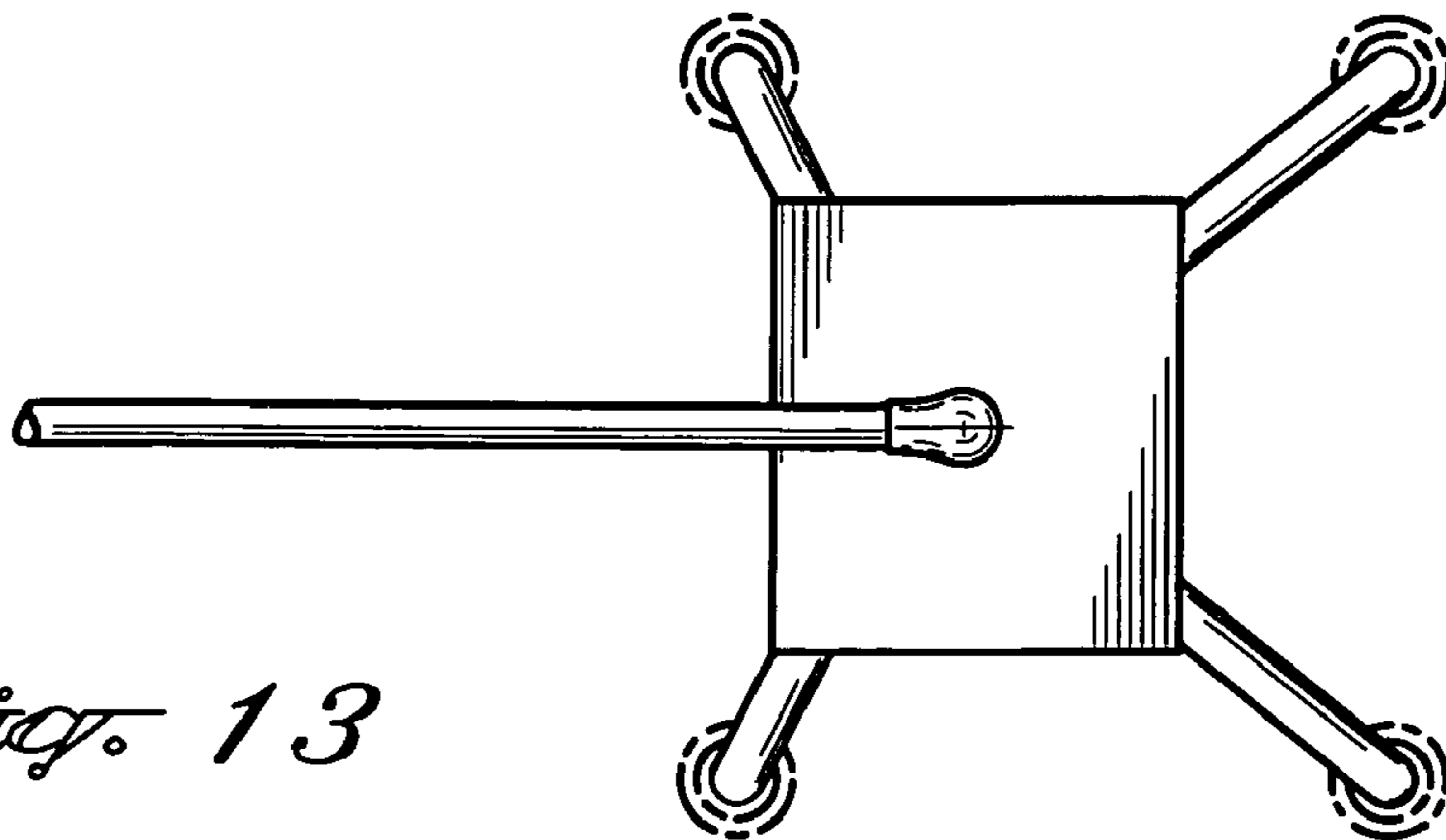


Fig. 13

Fig. 14

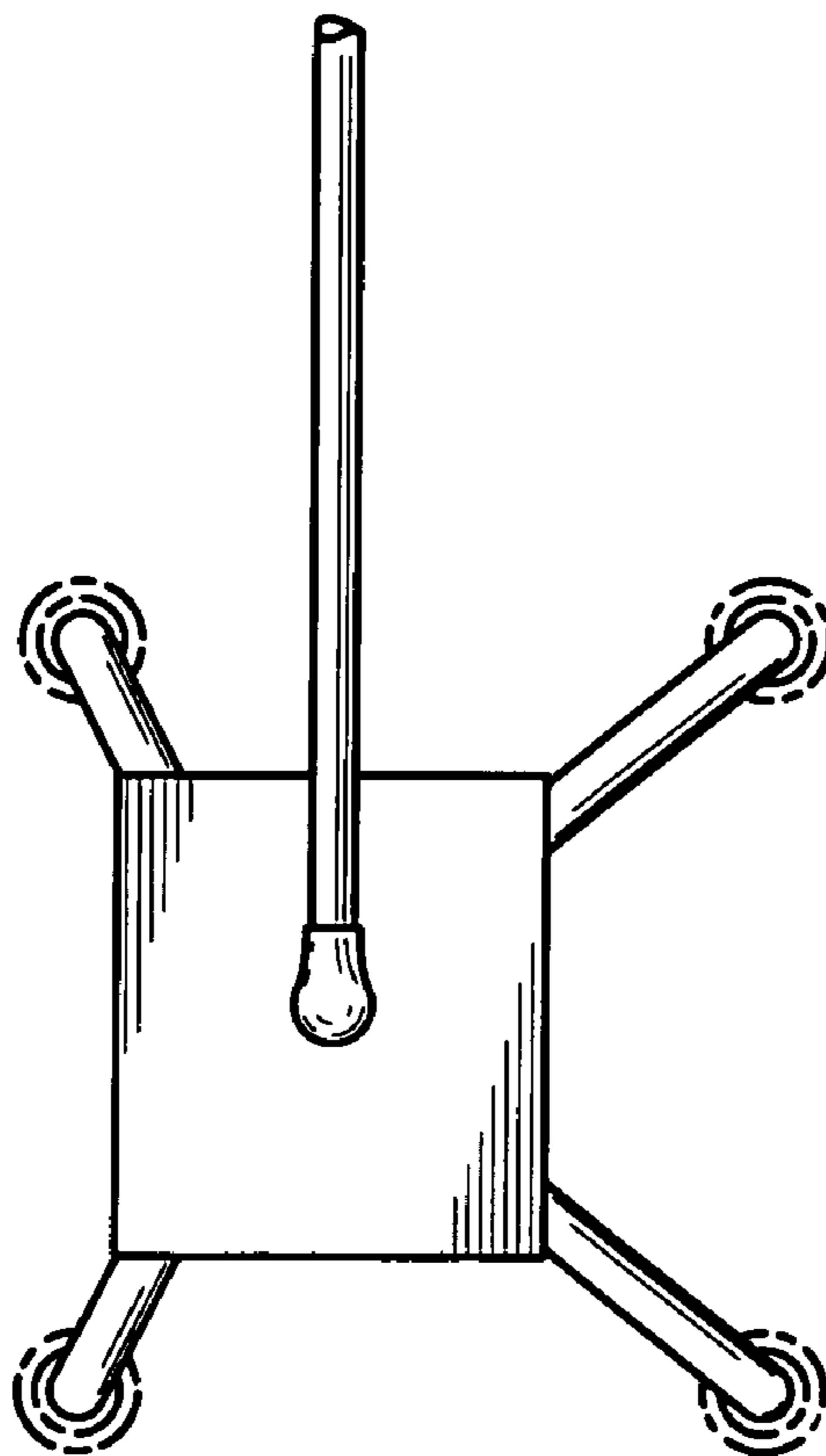
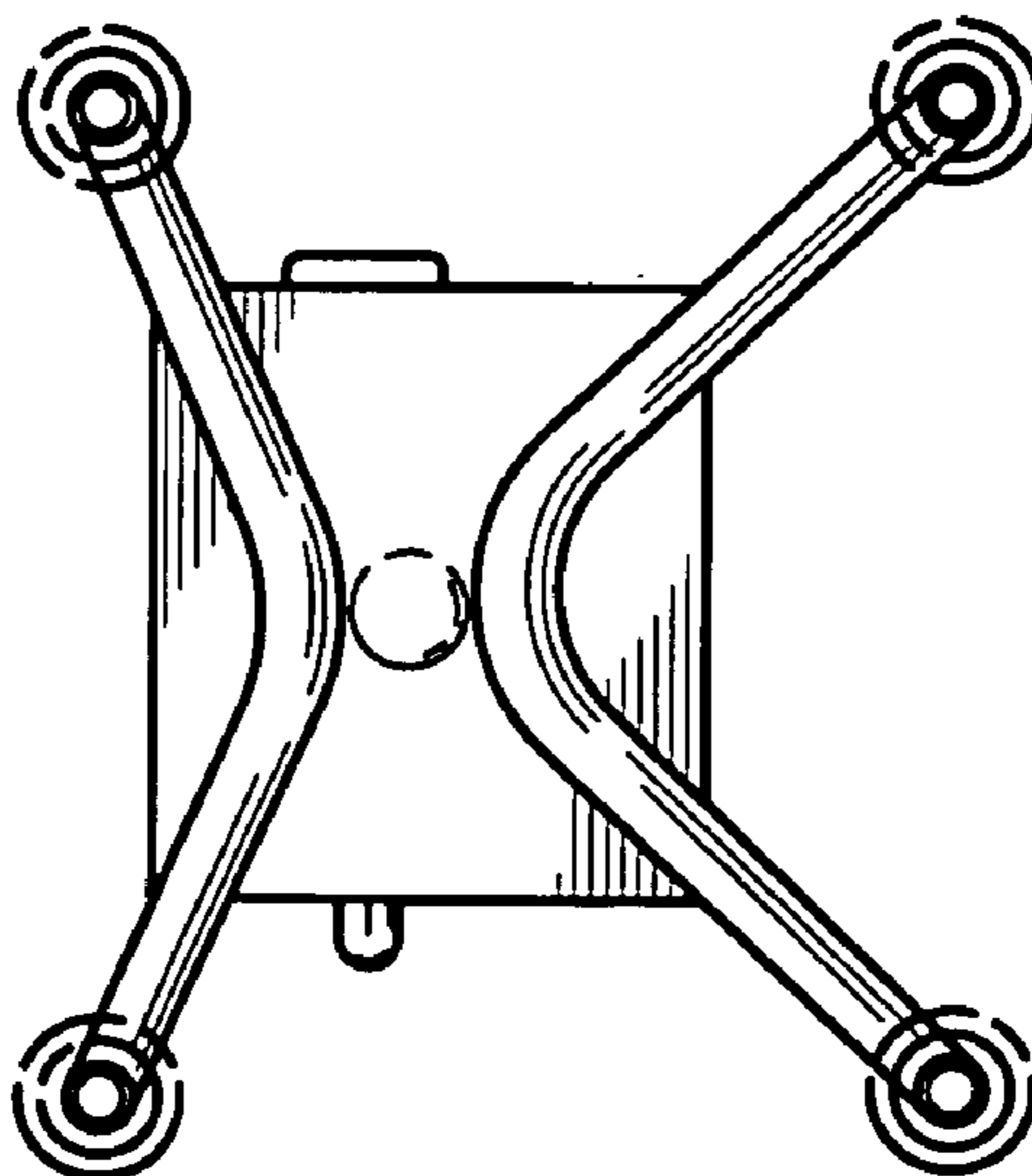


Fig. 15



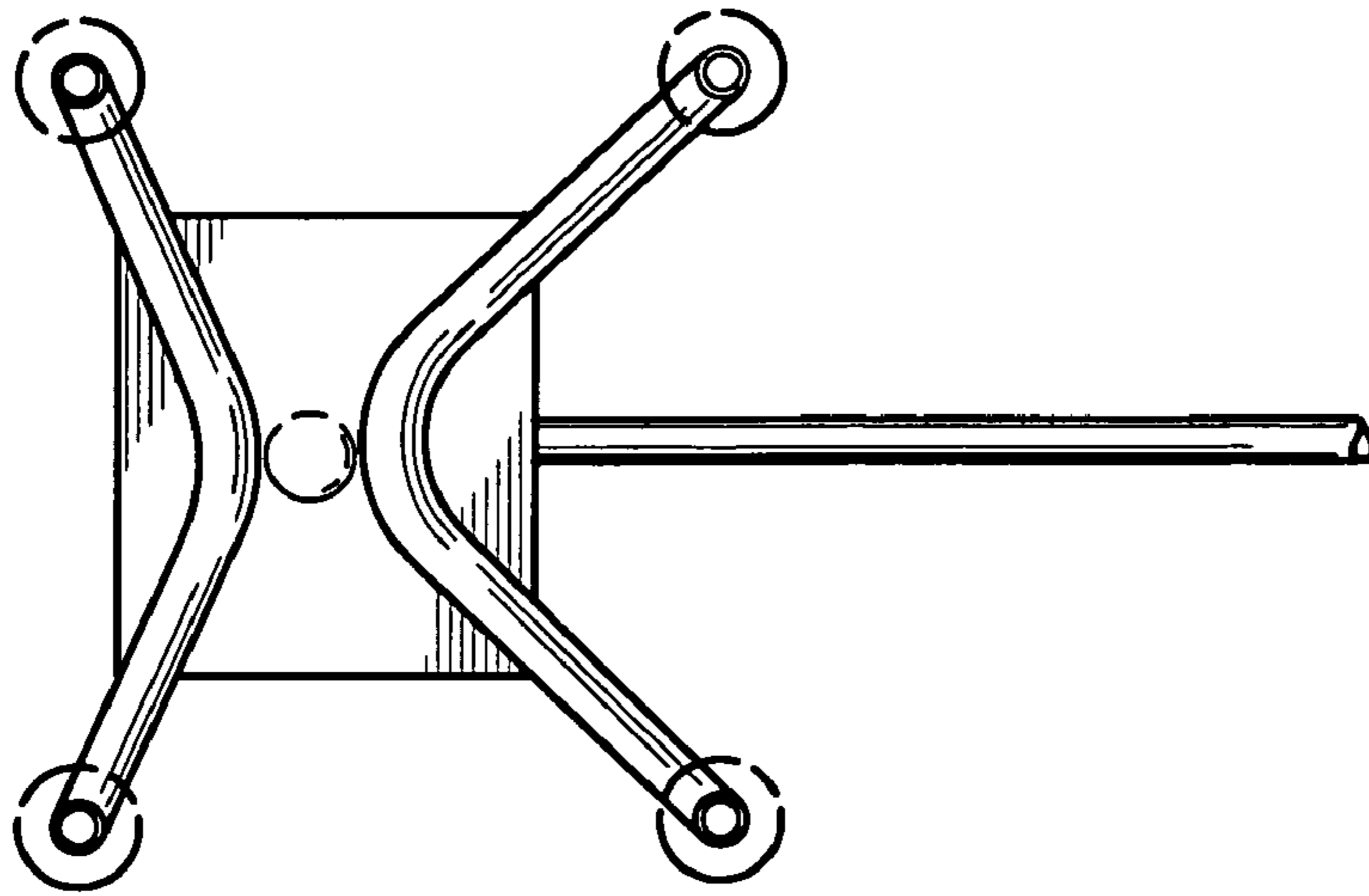


Fig. 16

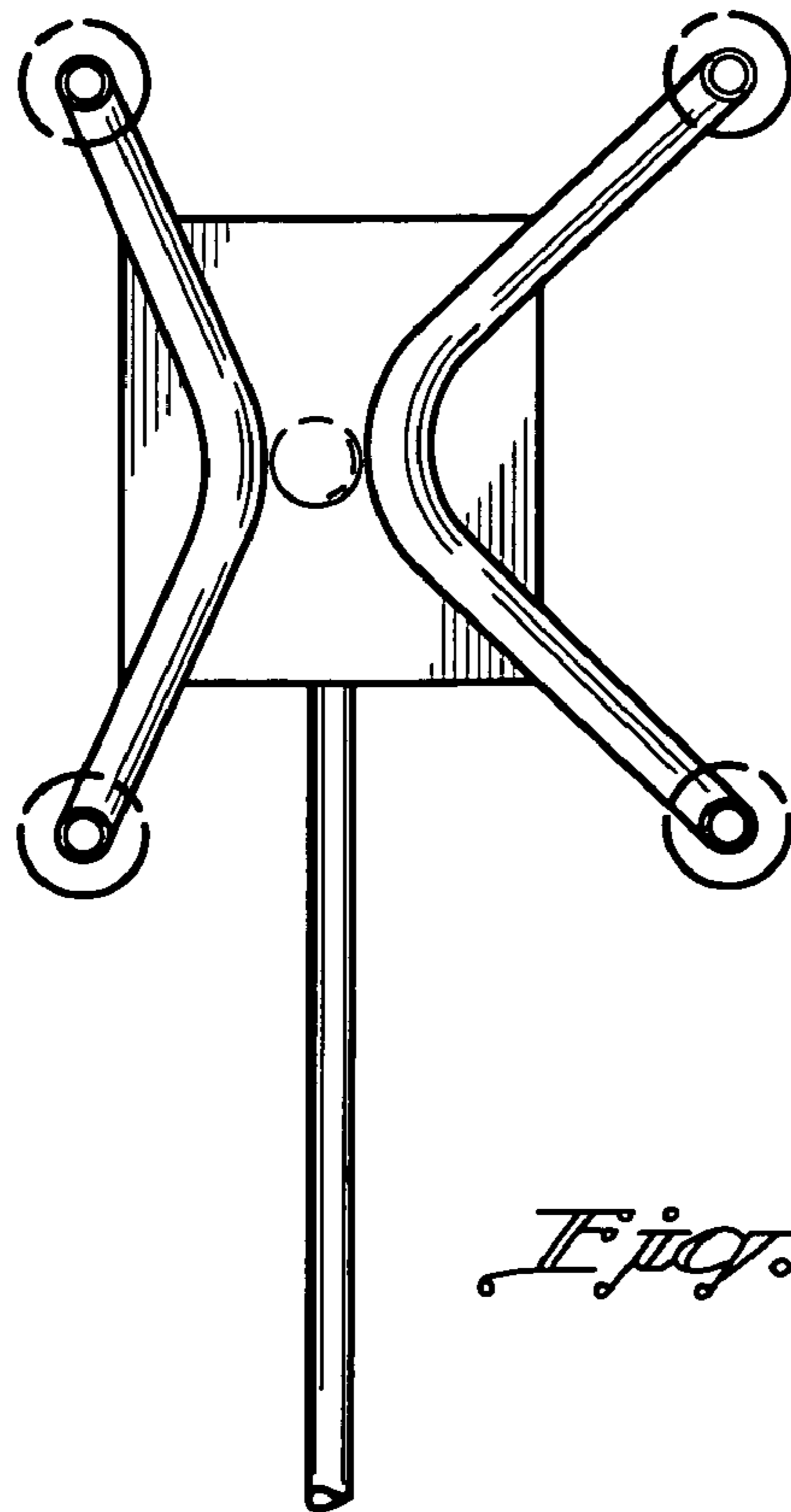


Fig. 17

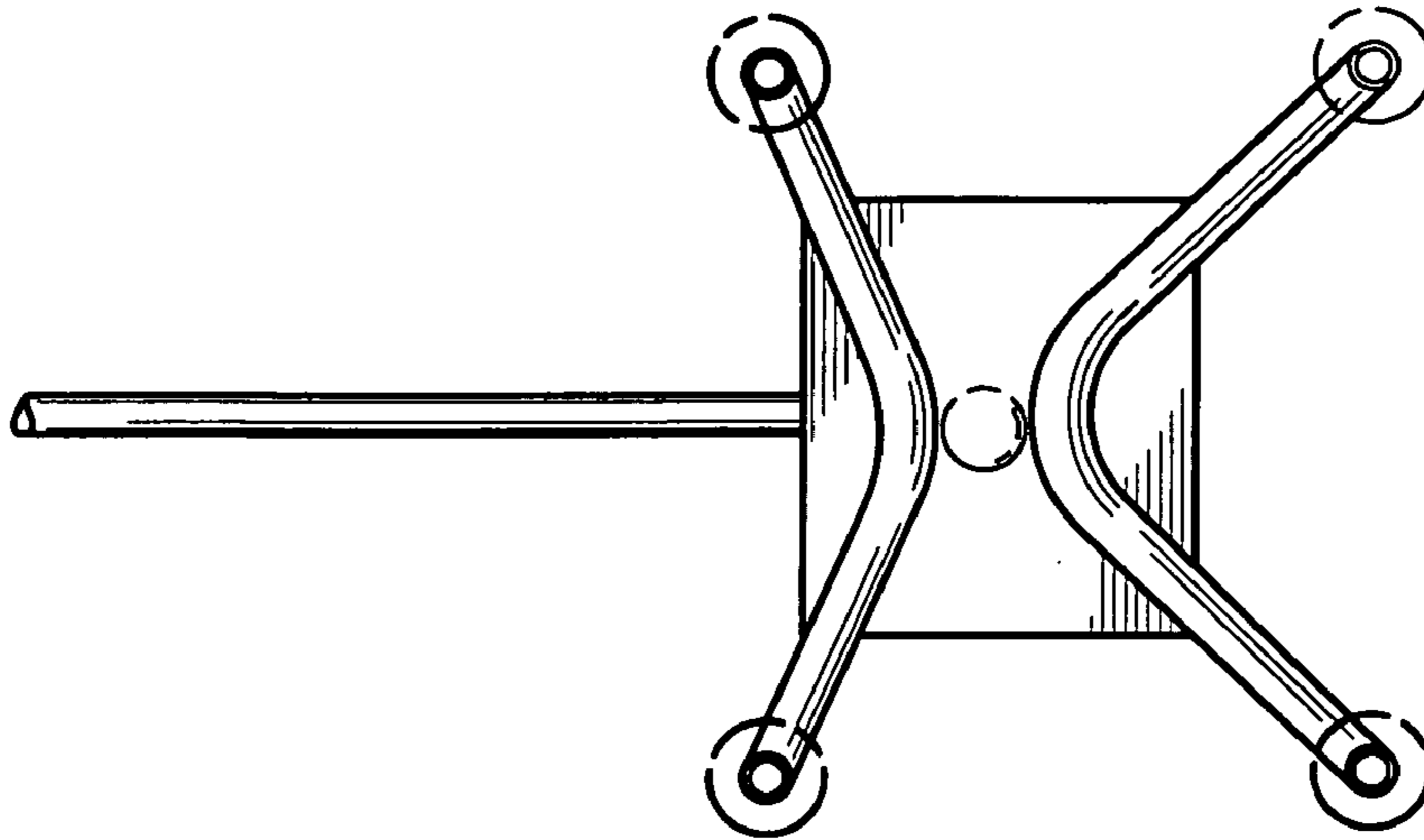


Fig. 18

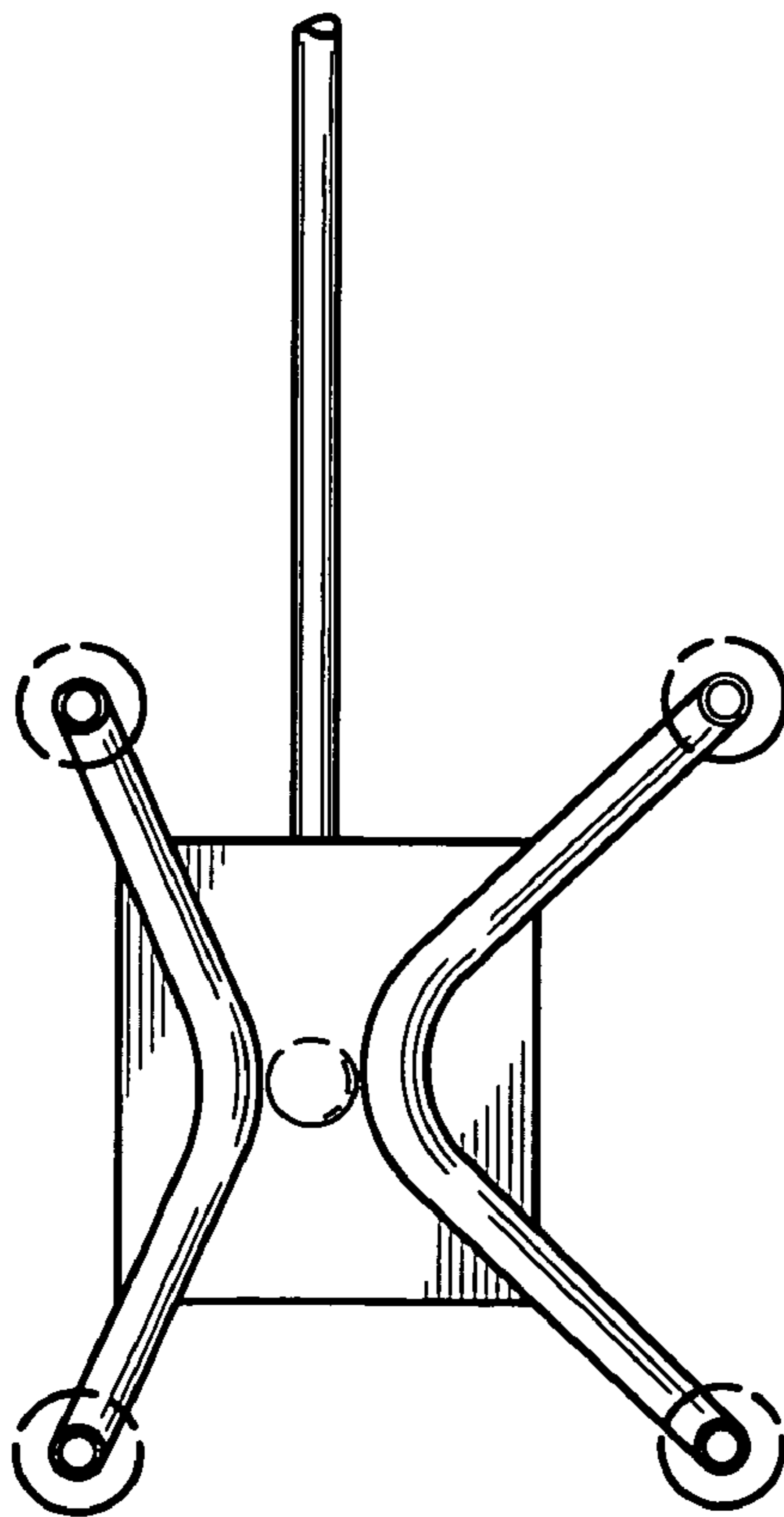


Fig. 19