



US00D621590S

(12) **United States Design Patent**
Martin

(10) **Patent No.:** **US D621,590 S**

(45) **Date of Patent:** **** Aug. 17, 2010**

(54) **PROTECTIVE GOLF CAP**

(76) **Inventor:** **Ursula Martin**, 31 Levylsdene Merrow,
Guildford, Surrey GU12RT (GB)

(**) **Term:** **14 Years**

(21) **Appl. No.:** **29/344,469**

(22) **Filed:** **Sep. 29, 2009**

(51) **LOC (9) Cl.** **02-03**

(52) **U.S. Cl.** **D2/879**

(58) **Field of Classification Search** D2/865,
D2/866, 870, 871, 872, 873, 874, 875, 876,
D2/877, 878, 879, 880, 881, 882, 884, 886,
D2/888, 891, 892, 893, 894, 895; D29/104,
D29/106; 2/12, 171, 171.2, 171.5, 172, 183,
2/184.5, 200.1, 204, 209.11, 209.12, 209.13,
2/209.4, 175.1, 175.2, 175.3, 175.7, 195.1,
2/195.2, 195.7, 411, 425

See application file for complete search history.

(56) **References Cited**

U.S. PATENT DOCUMENTS

D213,085 S *	1/1969	Wyckoff	D29/106
5,119,514 A *	6/1992	Woehl	2/172
D336,691 S *	6/1993	Hillock	D29/104
5,829,065 A *	11/1998	Cahill	2/418
D410,768 S *	6/1999	Hirsh	D29/102
D419,749 S *	2/2000	Williams	D2/869
D425,688 S *	5/2000	Richlin	D2/865
D427,751 S *	7/2000	Richlin	D2/866
D429,404 S *	8/2000	DeChambeau	D2/866
D432,375 S *	10/2000	Rennick	D8/38
D442,355 S *	5/2001	Rose	D2/882
D444,292 S *	7/2001	Wang	D2/882
D449,135 S *	10/2001	Martin et al.	D29/102
D488,293 S *	4/2004	Norway, Jr.	D2/882

D541,480 S *	4/2007	Turner	D29/102
D550,931 S *	9/2007	Valcourt	D2/866
D556,951 S *	12/2007	Gath	D29/122
D569,555 S *	5/2008	Fowler	D29/102
D571,048 S *	6/2008	Fowler	D29/102
D572,865 S *	7/2008	Baker	D29/102
D583,507 S *	12/2008	Stingone	D29/106
D610,781 S *	3/2010	Cho	D2/879

FOREIGN PATENT DOCUMENTS

EM	000831631-0001	*	12/2007
GB	2100203	*	3/2001
GB	4001844	*	3/2007

* cited by examiner

Primary Examiner—Elizabeth A Albert
Assistant Examiner—Karen E Eldridge Powers
(74) *Attorney, Agent, or Firm*—Michael D. Eisenberg

(57) **CLAIM**

I claim the ornamental design for a protective golf cap, as shown and described.

DESCRIPTION

FIG. 1 is a bottom view of a protective golf cap showing my new design;

FIG. 2 is a front view of the protective golf cap;

FIG. 3 is a right side view of the protective golf cap;

FIG. 4 is a left side view of the protective golf cap;

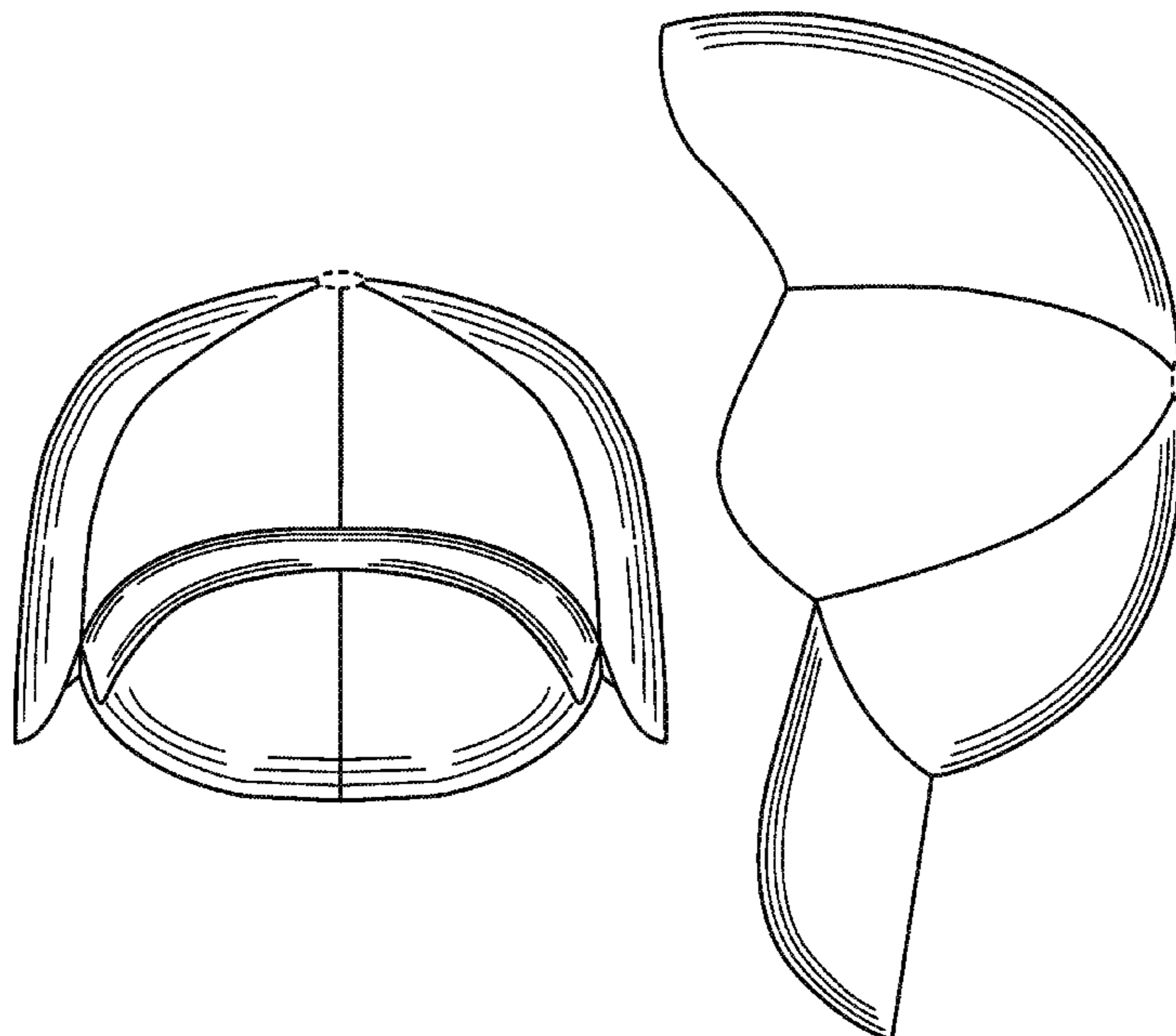
FIG. 5 is a top view of the protective golf cap;

FIG. 6 is a rear view of the protective golf cap; and,

FIG. 7 is a perspective view of the protective golf cap.

The broken lines shown in the drawings illustrate environmental matter and form no part of the claimed design.

1 Claim, 7 Drawing Sheets



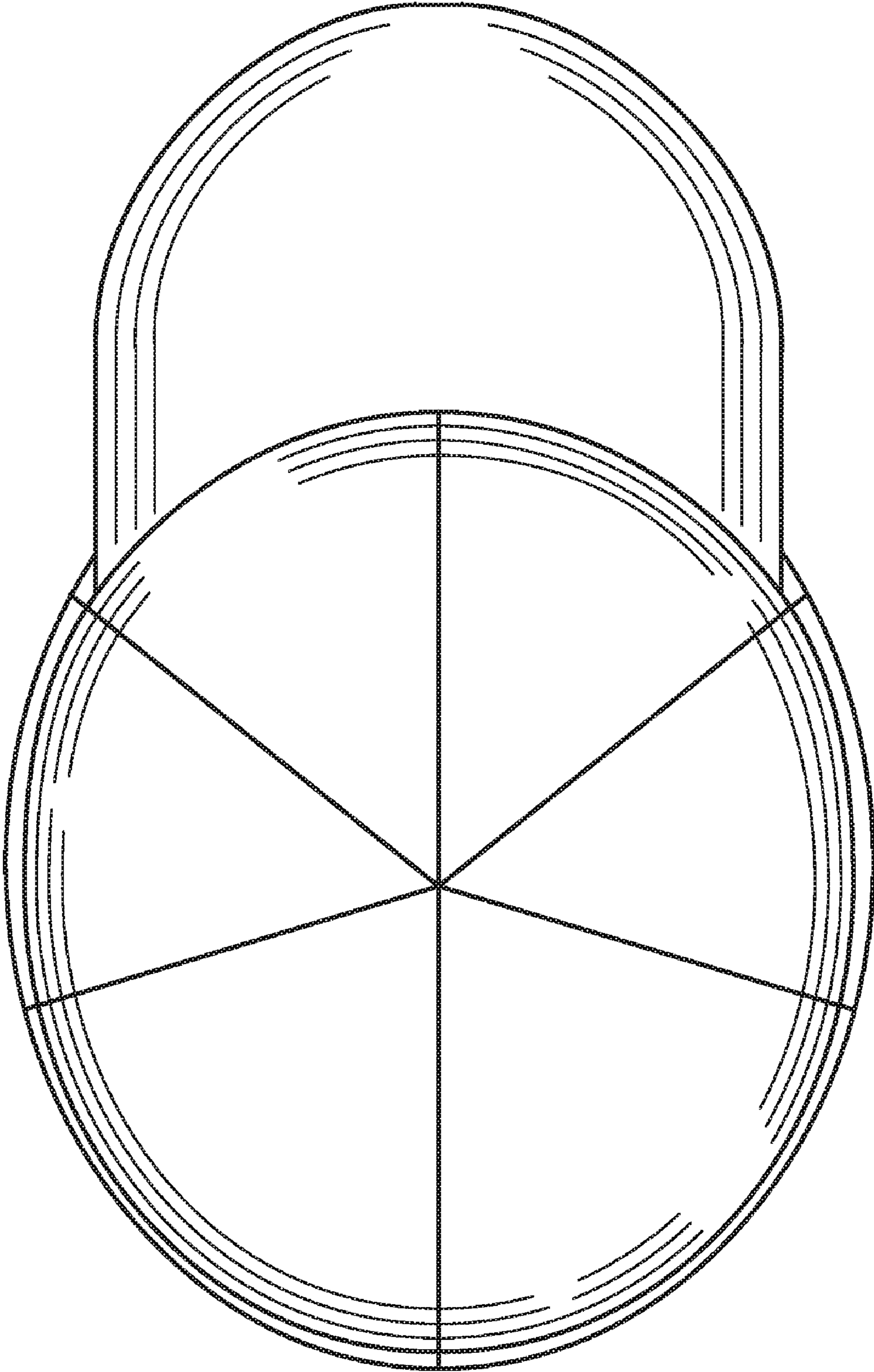


FIG. 1

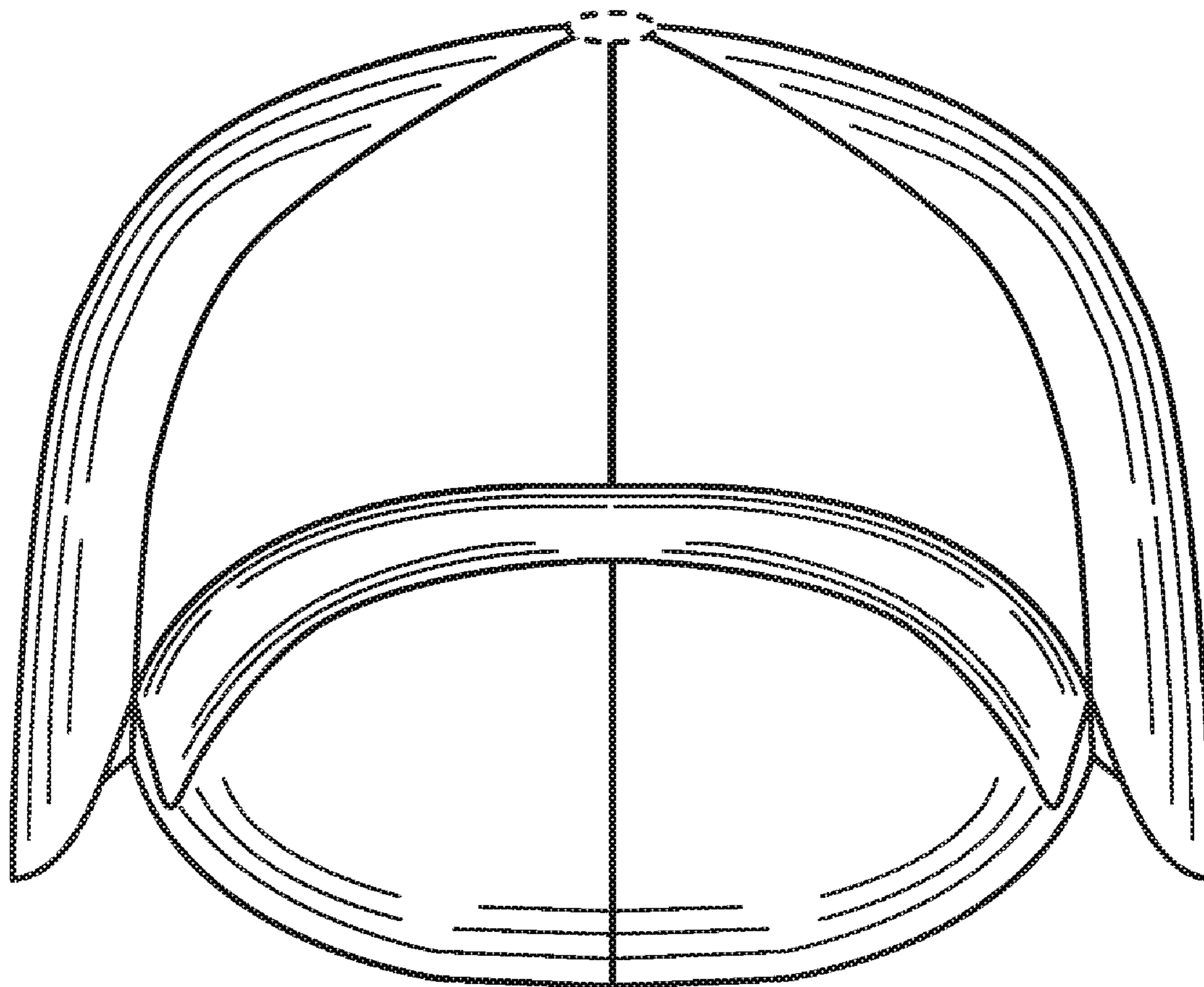


FIG. 2

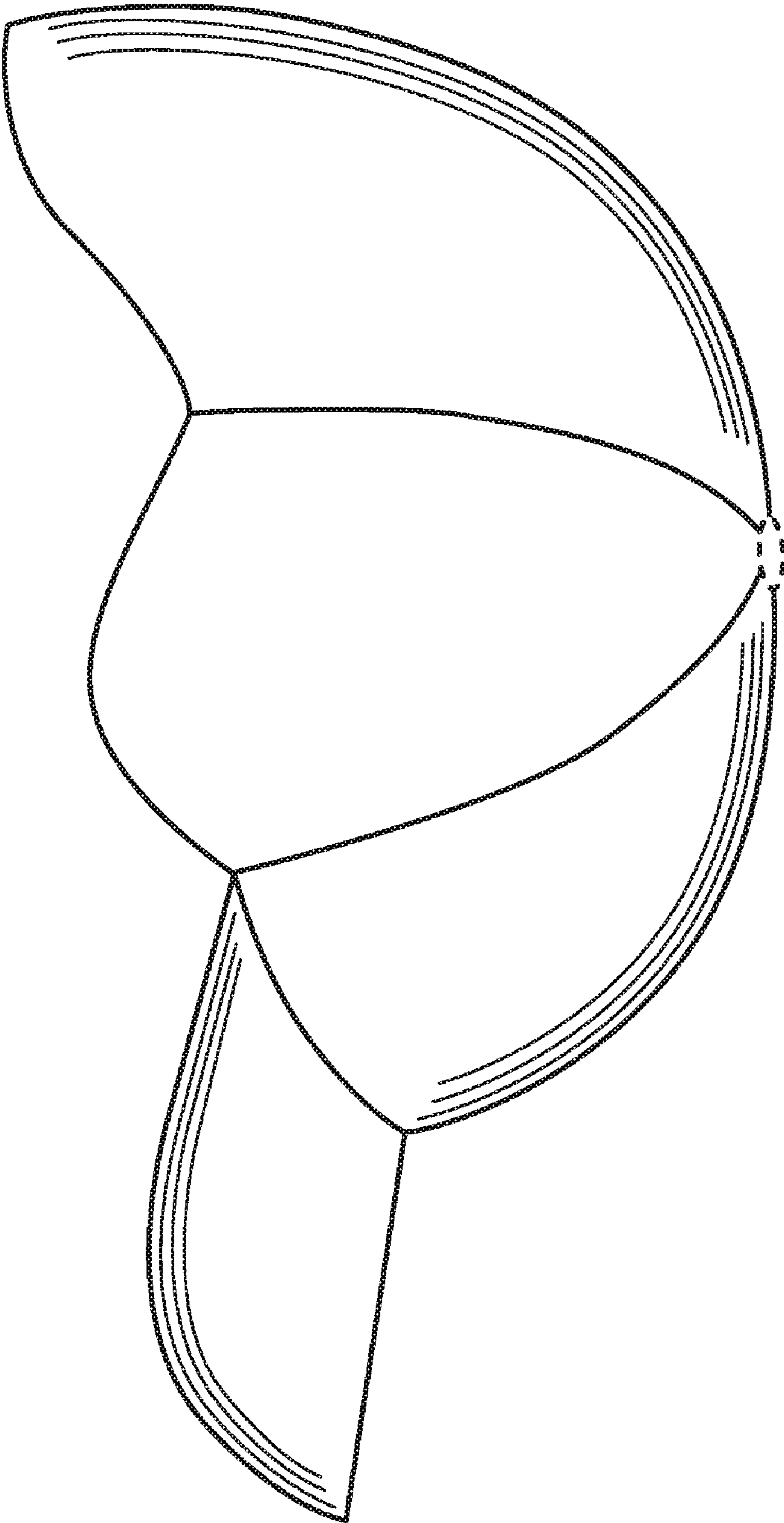


FIG. 3

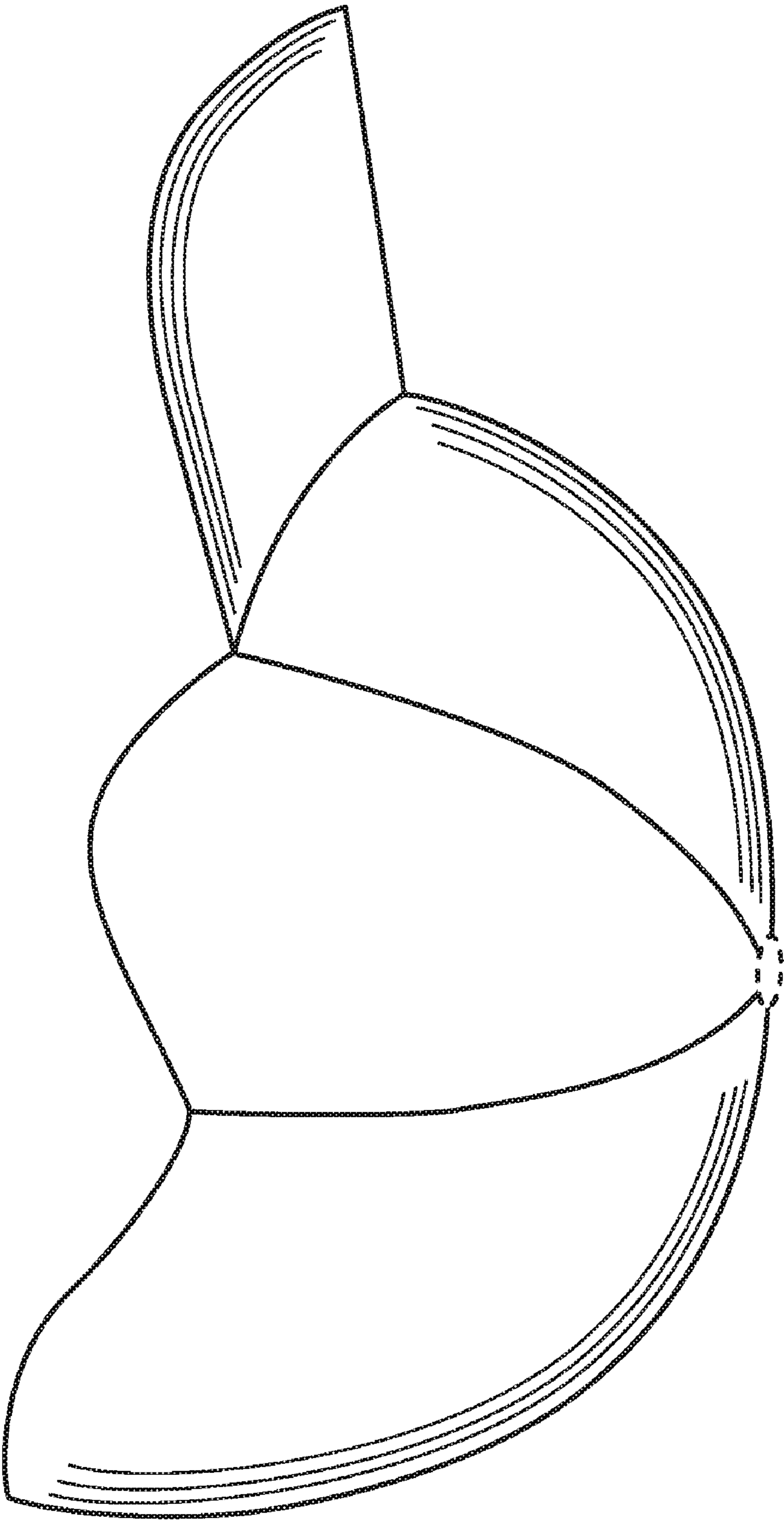


FIG. 4

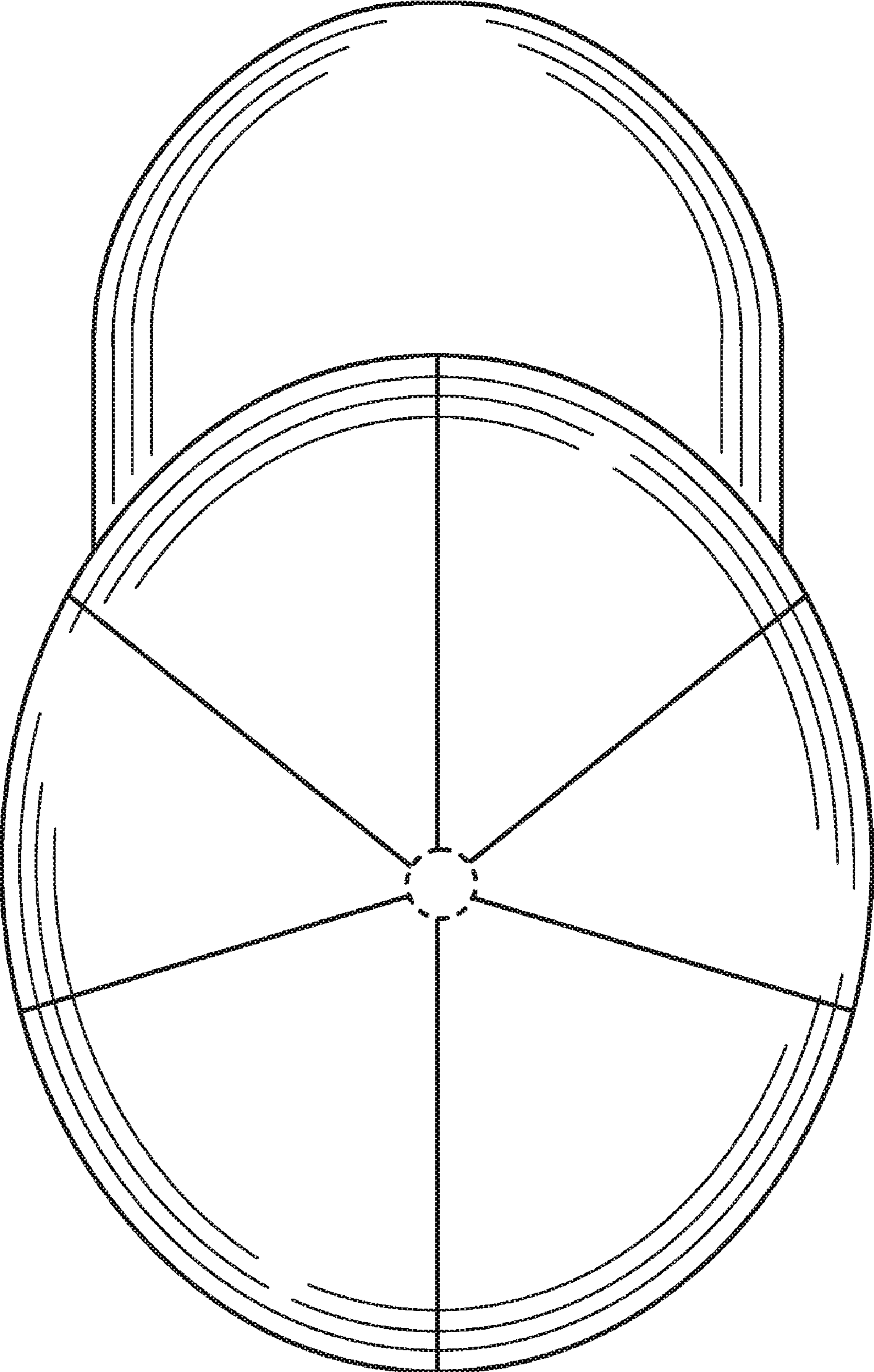


FIG. 5

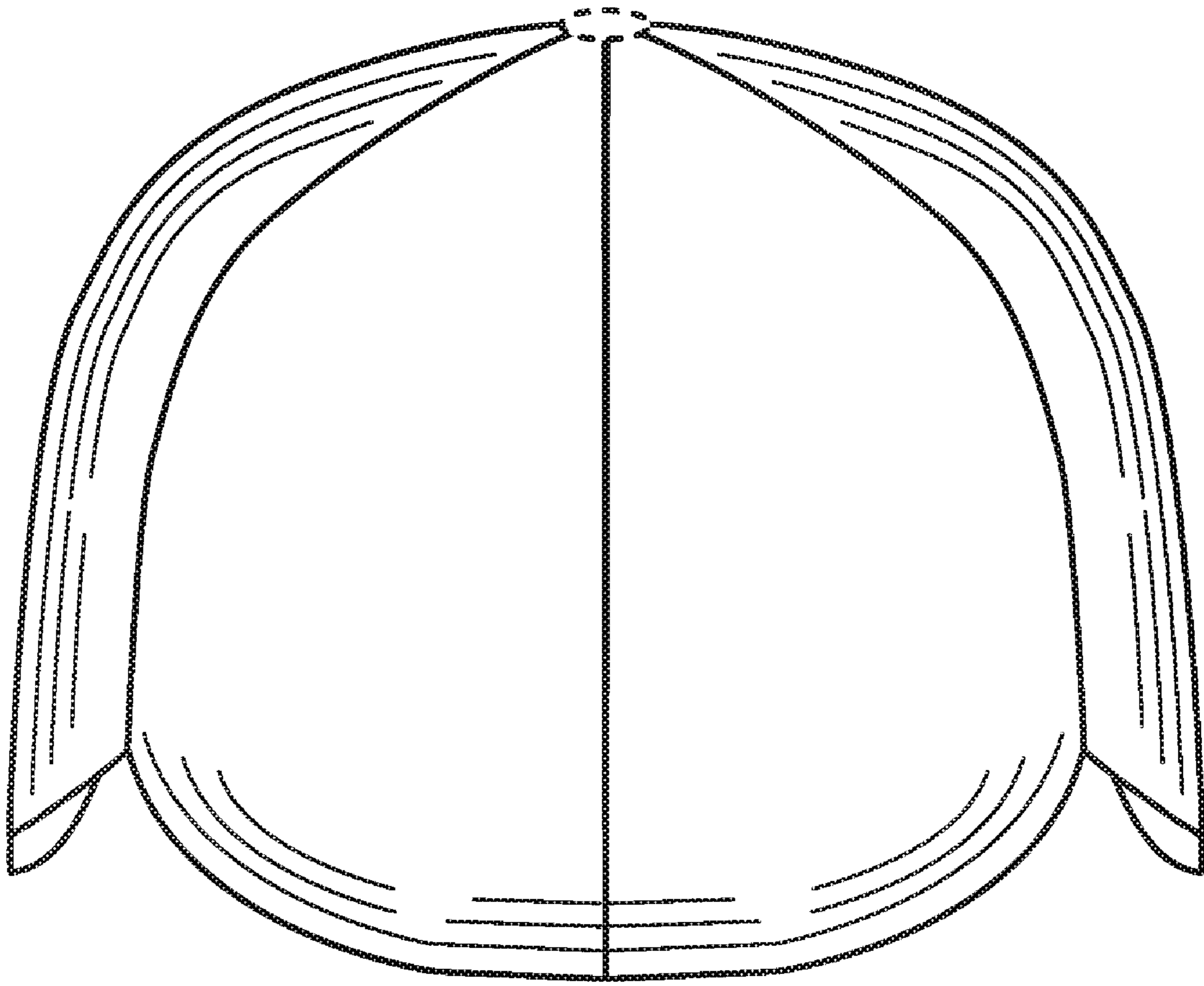


FIG. 6

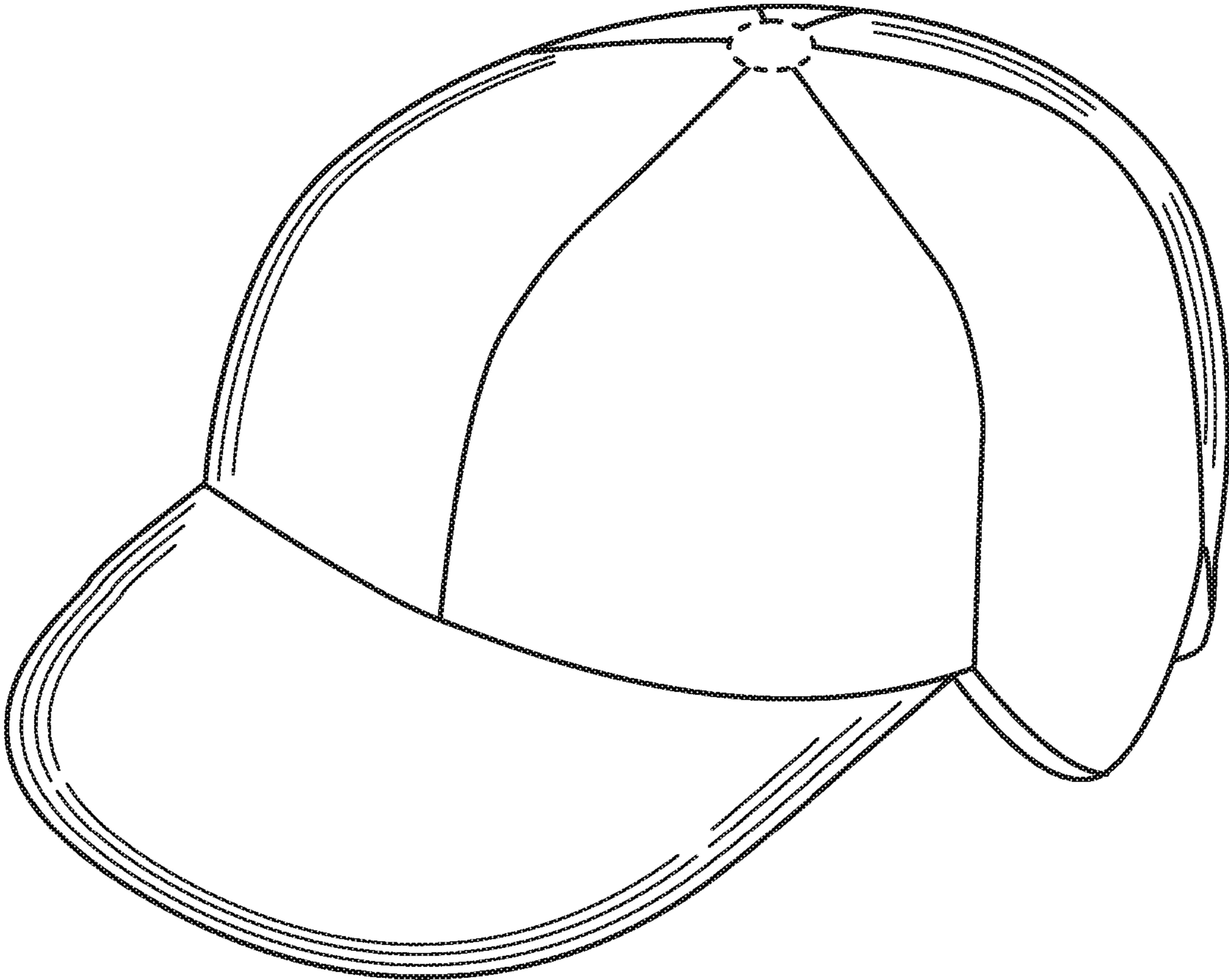


FIG. 7