



US00D621585S

(12) **United States Design Patent**  
**Waldman**

(10) **Patent No.:** **US D621,585 S**

(45) **Date of Patent:** **\*\* Aug. 17, 2010**

(54) **TROUSER BELT WITH RATCHET CLOSURE**

(75) Inventor: **Matthew Waldman**, New York, NY  
(US)

(73) Assignee: **Nooka, Inc.**, New York, NY (US)

(\*\*) Term: **14 Years**

(21) Appl. No.: **29/314,684**

(22) Filed: **Apr. 17, 2009**

(51) **LOC (9) Cl.** ..... **02-07**

(52) **U.S. Cl.** ..... **D2/627**

(58) **Field of Classification Search** ..... D2/624-625,  
D2/639-640, 627-628, 816, 629-632; 2/300,  
2/312, 316, 319, 912, 338, 311  
See application file for complete search history.

(56) **References Cited**

**U.S. PATENT DOCUMENTS**

D282,215 S	1/1986	Foreman	
D286,226 S	10/1986	Seehase	
D290,349 S	6/1987	Kasai	
4,747,165 A	5/1988	Limbach	
D307,512 S	5/1990	Woods	
D322,160 S	12/1991	Dauterive	
D356,516 S *	3/1995	Price	D10/104
D362,741 S	10/1995	Hollinger	
7,103,921 B1 *	9/2006	Shoemaker	2/312
D558,427 S *	1/2008	Solin	D2/627

\* cited by examiner

*Primary Examiner*—T. Chase Nelson  
*Assistant Examiner*—Kathleen M Sims

(74) *Attorney, Agent, or Firm*—The Martinez Group PLLC;  
Mark Sgantzos; Daniel Chun, Esq.

(57) **CLAIM**

The ornamental design for a trouser belt with ratchet closure,  
as shown and described.

**DESCRIPTION**

FIG. 1 is a front perspective view of a trouser belt with ratchet  
closure showing my new design;

FIG. 2 is a top plan view thereof;

FIG. 3 is an enlarged partial top plan view thereof, the design  
being shown broken away for convenience of illustration;

FIG. 4 is a bottom plan view thereof showing surface texture  
patterning for aiding in gripping;

FIG. 5 is an enlarged partial bottom plan view thereof, the  
design being shown broken away for convenience of illustration;

FIG. 6 is a left side elevational view thereof, the opposite side  
being a mirror image thereof;

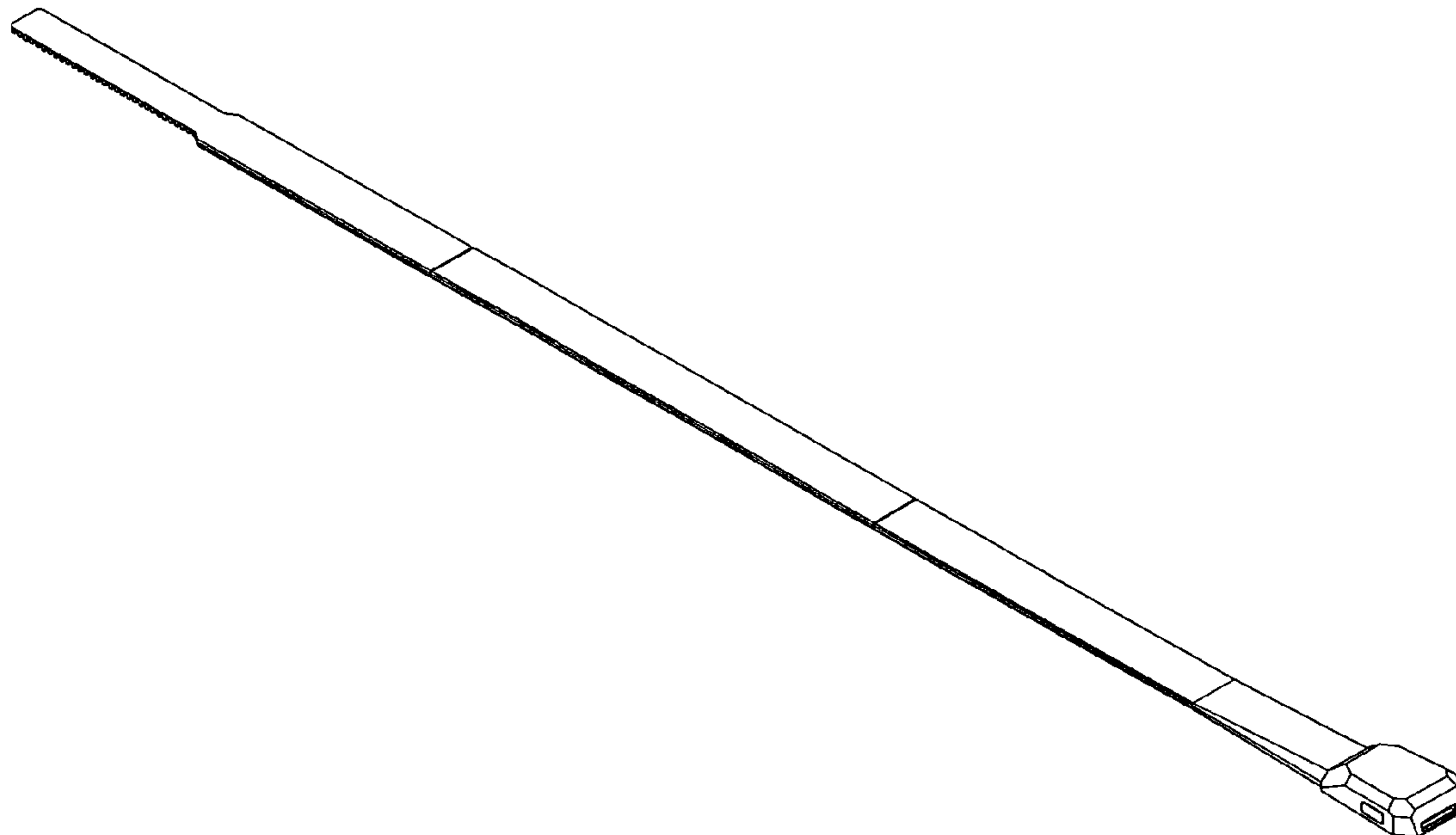
FIG. 7 is an enlarged partial left side elevational view thereof,  
the design being shown broken away for convenience of  
illustration, the right side is a mirror image thereof;

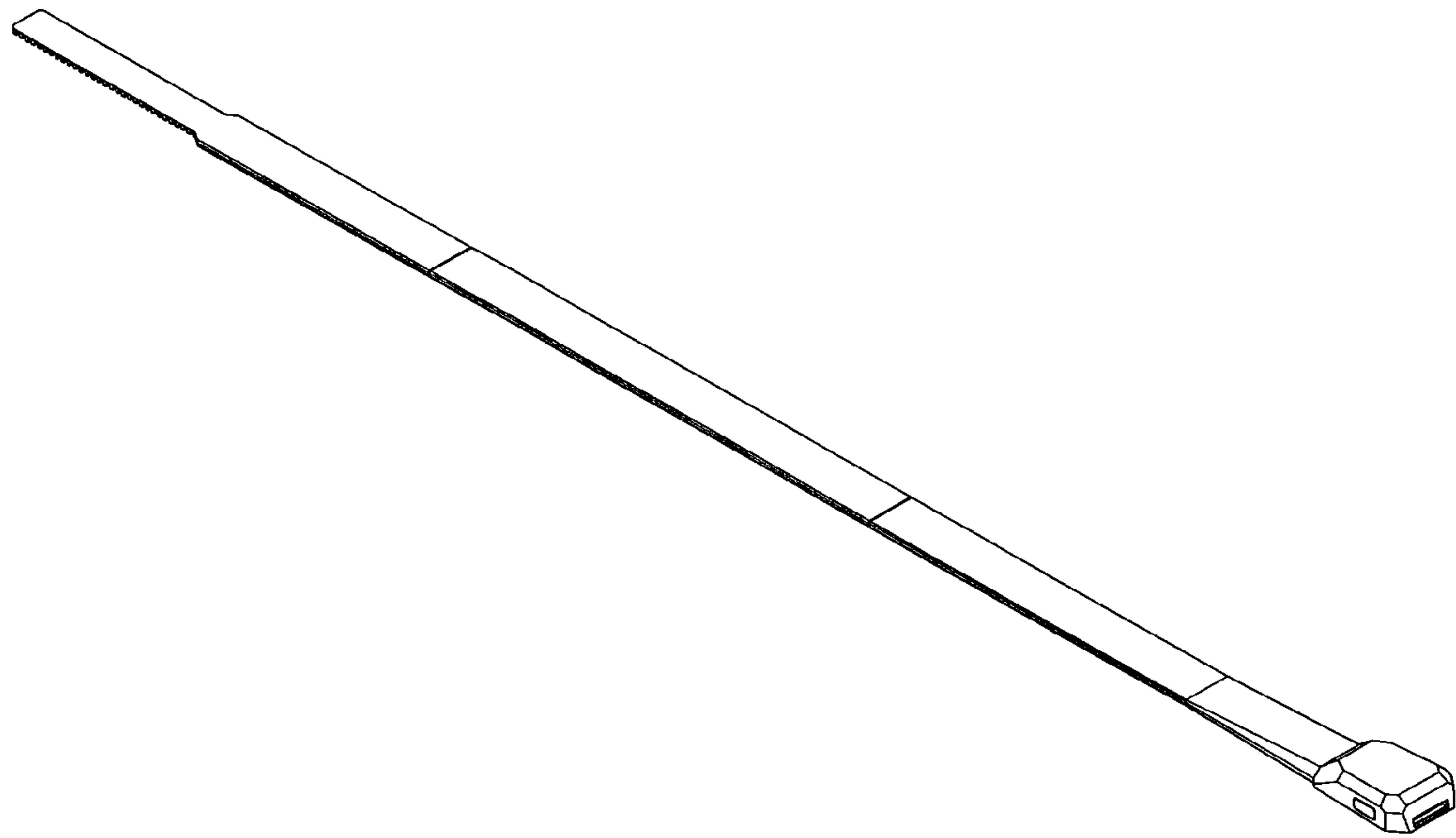
FIG. 8 is an enlarged front elevational view thereof; and,

FIG. 9 is an enlarged rear elevational view thereof, the belt  
portion is not shown in this view for clarity so that this end  
might be seen.

The broken line showing of end details in FIGS. 8 and 9 is  
included for the purpose of showing environmental portions  
of the trouser belt with ratchet closure and forms no part of the  
claimed design.

**1 Claim, 5 Drawing Sheets**





**FIG. 1**

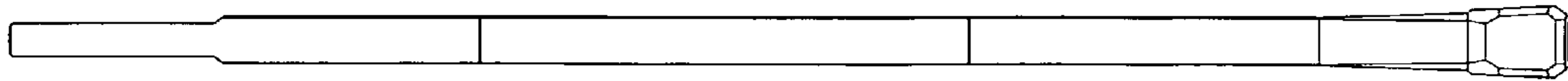


FIG. 2

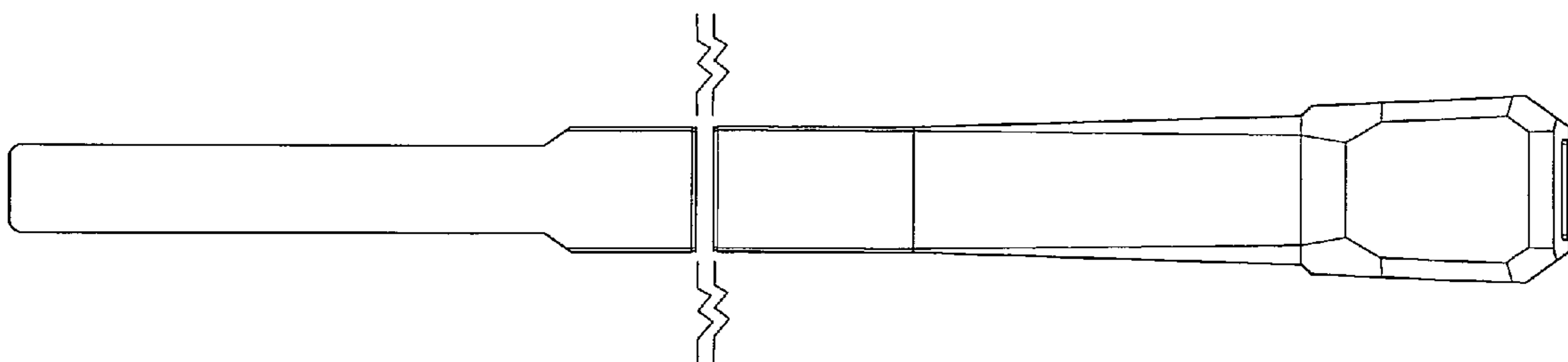


FIG. 3



FIG. 4

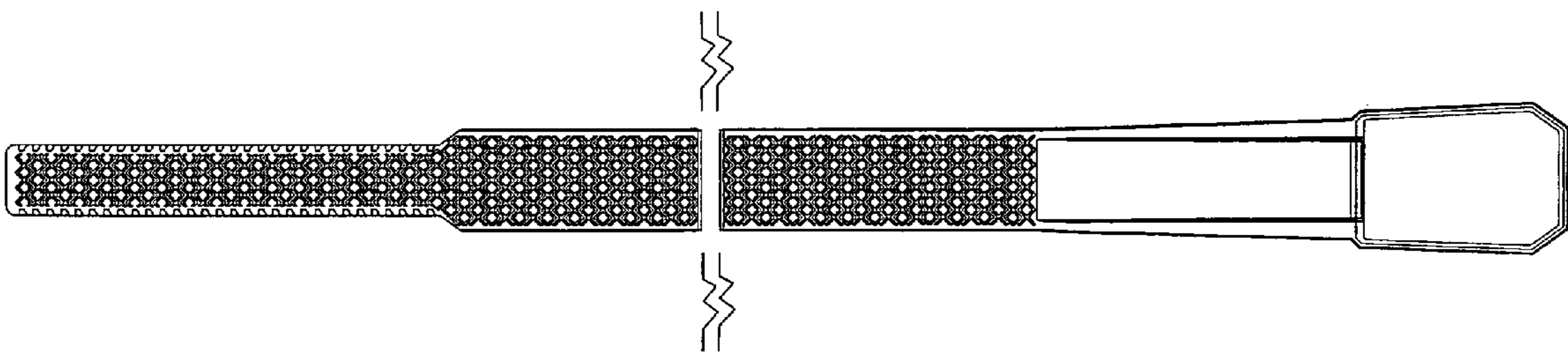


FIG. 5



FIG. 6

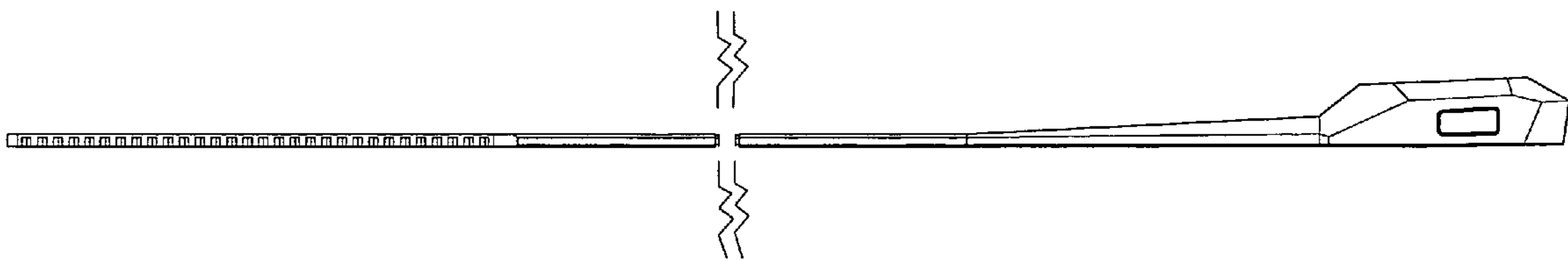


FIG. 7

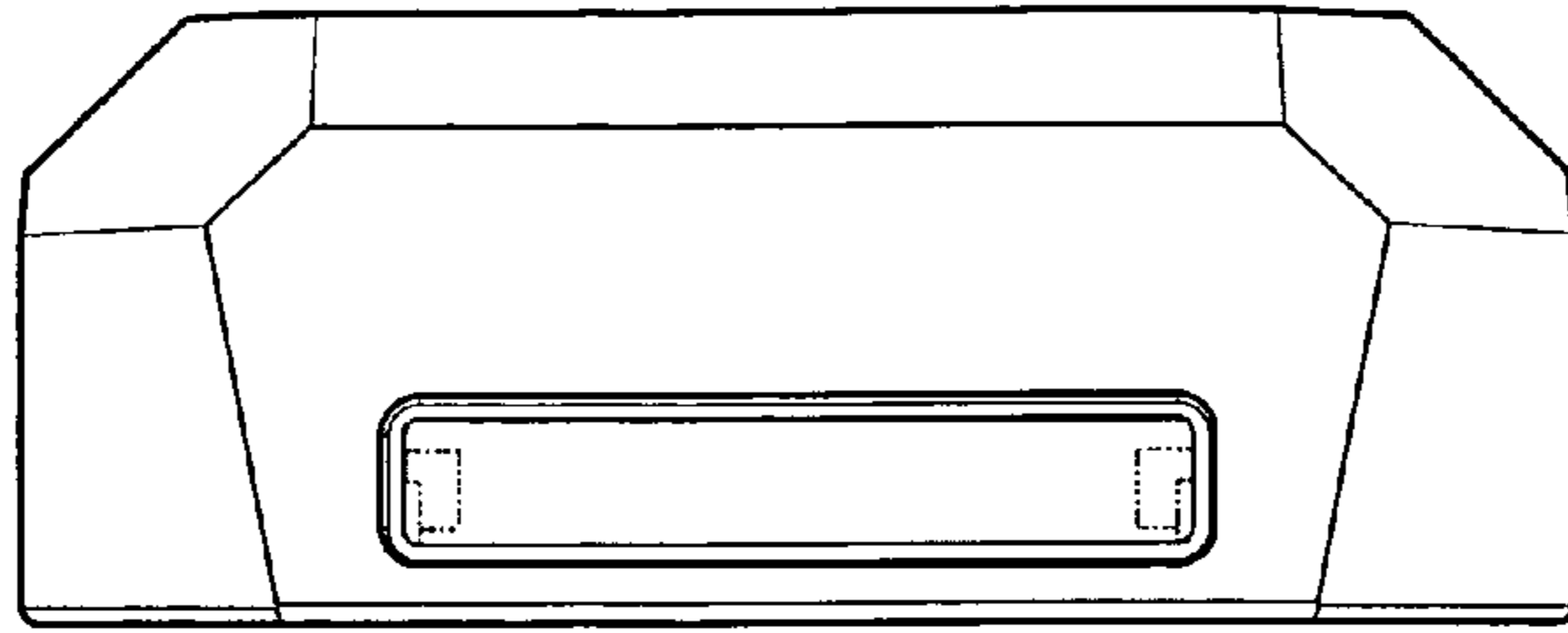


FIG. 8

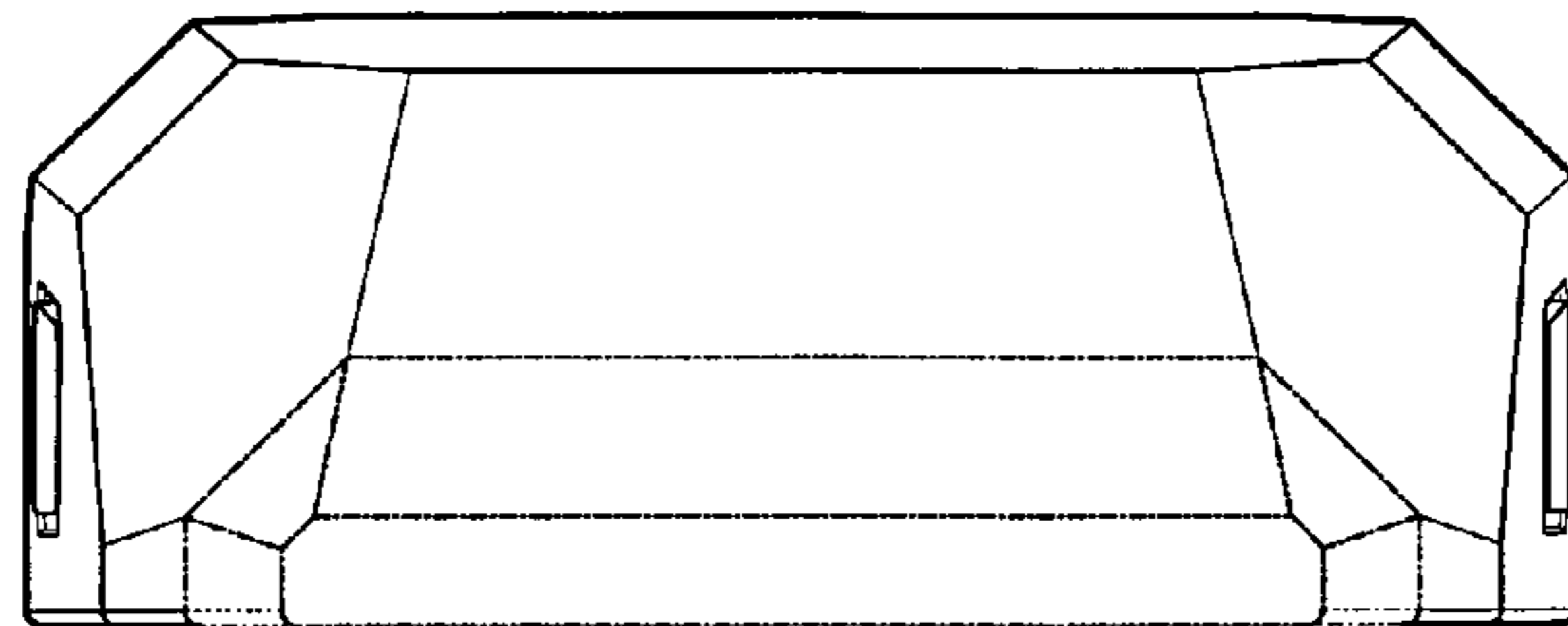


FIG. 9