



US00D621574S

(12) **United States Design Patent**
Rickards

(10) **Patent No.:** **US D621,574 S**

(45) **Date of Patent:** **** Aug. 10, 2010**

(54) **DUAL FLOWER HOLDER FOR CRYPT COVERS**

D311,327 S * 10/1990 Hughes D8/370
D348,633 S * 7/1994 Emalfarb et al. D11/156
D352,674 S * 11/1994 Richards et al. D11/148
D433,958 S * 11/2000 Rosenberg D11/148

(76) Inventor: **John W. Rickards**, 3452 Hancock St.,
San Diego, CA (US) 92110

(**) Term: **14 Years**

(21) Appl. No.: **29/355,332**

(22) Filed: **Feb. 5, 2010**

* cited by examiner

Primary Examiner—T. Chase Nelson

Assistant Examiner—Michael A Pratt

(74) *Attorney, Agent, or Firm*—Charmasson, Buchaco &
Leach, LLP

Related U.S. Application Data

(60) Division of application No. 29/339,448, filed on Jun. 30, 2009, now Pat. No. Des. 610,774, which is a continuation-in-part of application No. 29/325,308, filed on Sep. 29, 2008, now Pat. No. Des. 595,475, which is a division of application No. 29/259,840, filed on May 15, 2006, now Pat. No. Des. 579,173.

(51) **LOC (9) Cl.** **99-00**

(52) **U.S. Cl.** **D99/17**

(58) **Field of Classification Search** D99/1-52;
D11/143-163; 27/2-8, 14, 27, 30
See application file for complete search history.

(56) **References Cited**

U.S. PATENT DOCUMENTS

D254,236 S * 2/1980 DeVito et al. D6/514

(57) **CLAIM**

The ornamental design for a dual flower holder for crypt covers, as shown and described.

DESCRIPTION

FIG. 1 is a top, front, left side perspective view of a dual flower holder for crypt covers showing my new design;

FIG. 2 is a front view thereof;

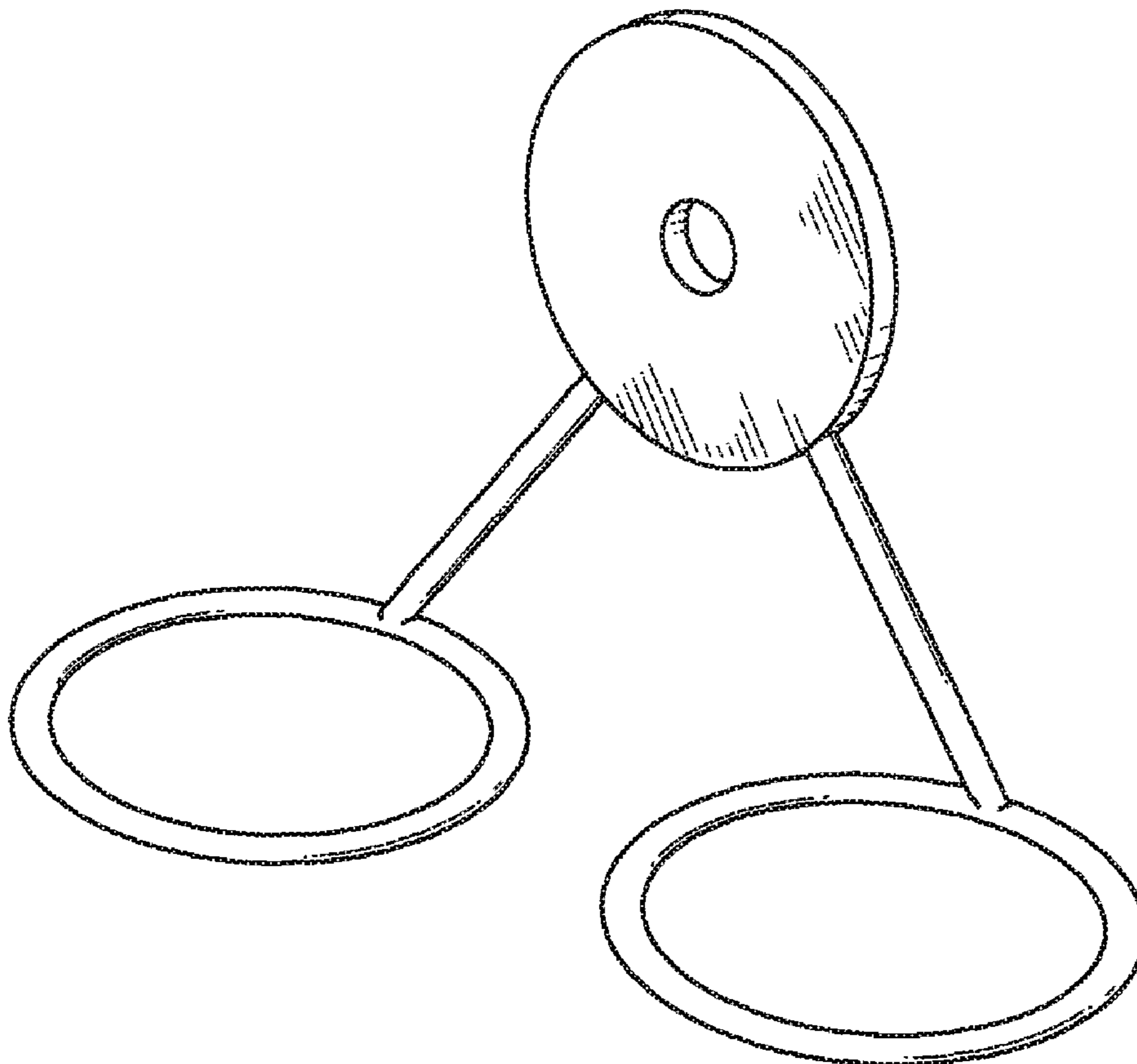
FIG. 3 is a back view thereof;

FIG. 4 is a left side view thereof, the right side being a mirror image thereof; and,

FIG. 5 is a top view thereof; and,

FIG. 6 is a bottom view thereof.

1 Claim, 3 Drawing Sheets



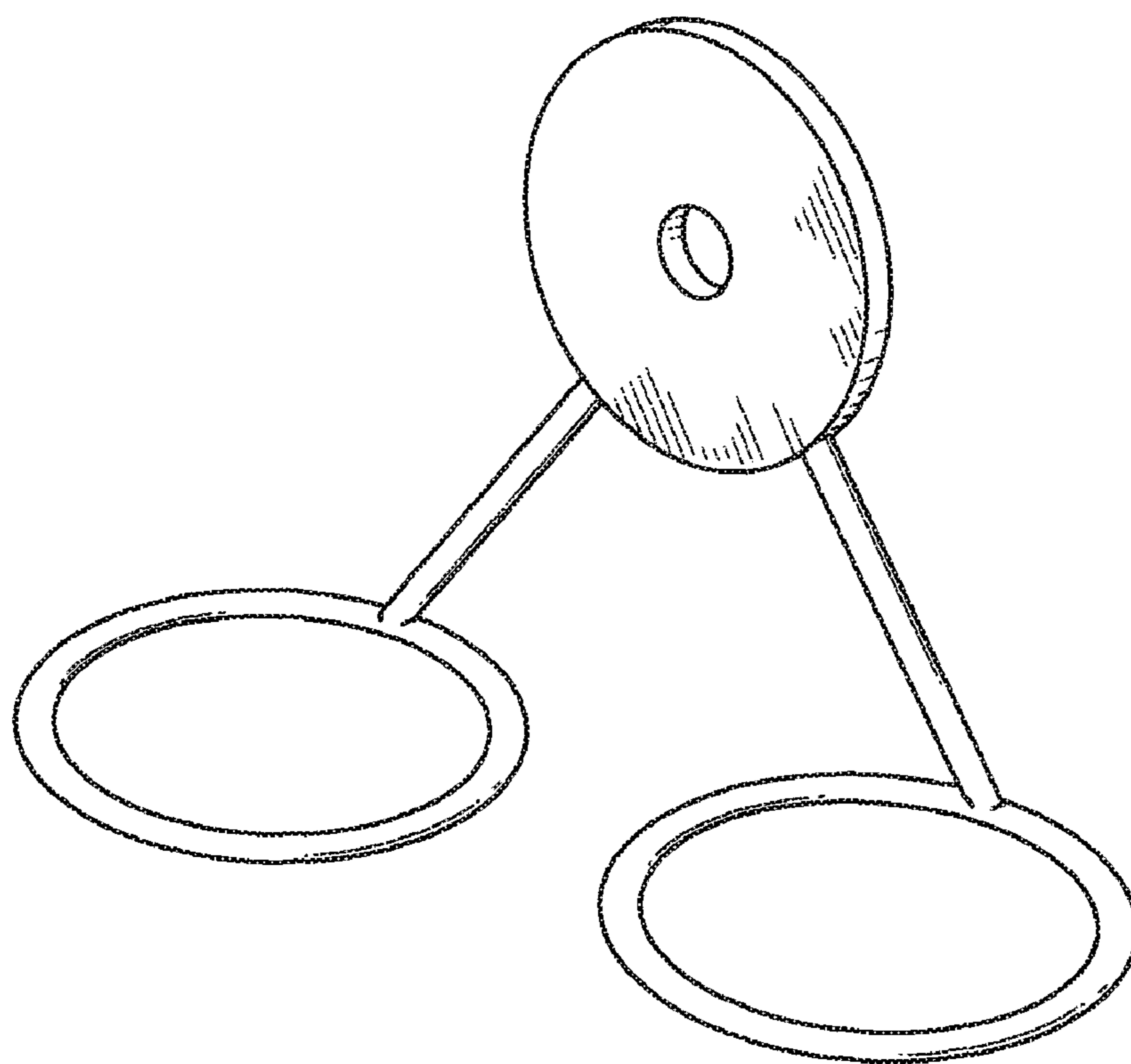


FIG. 1

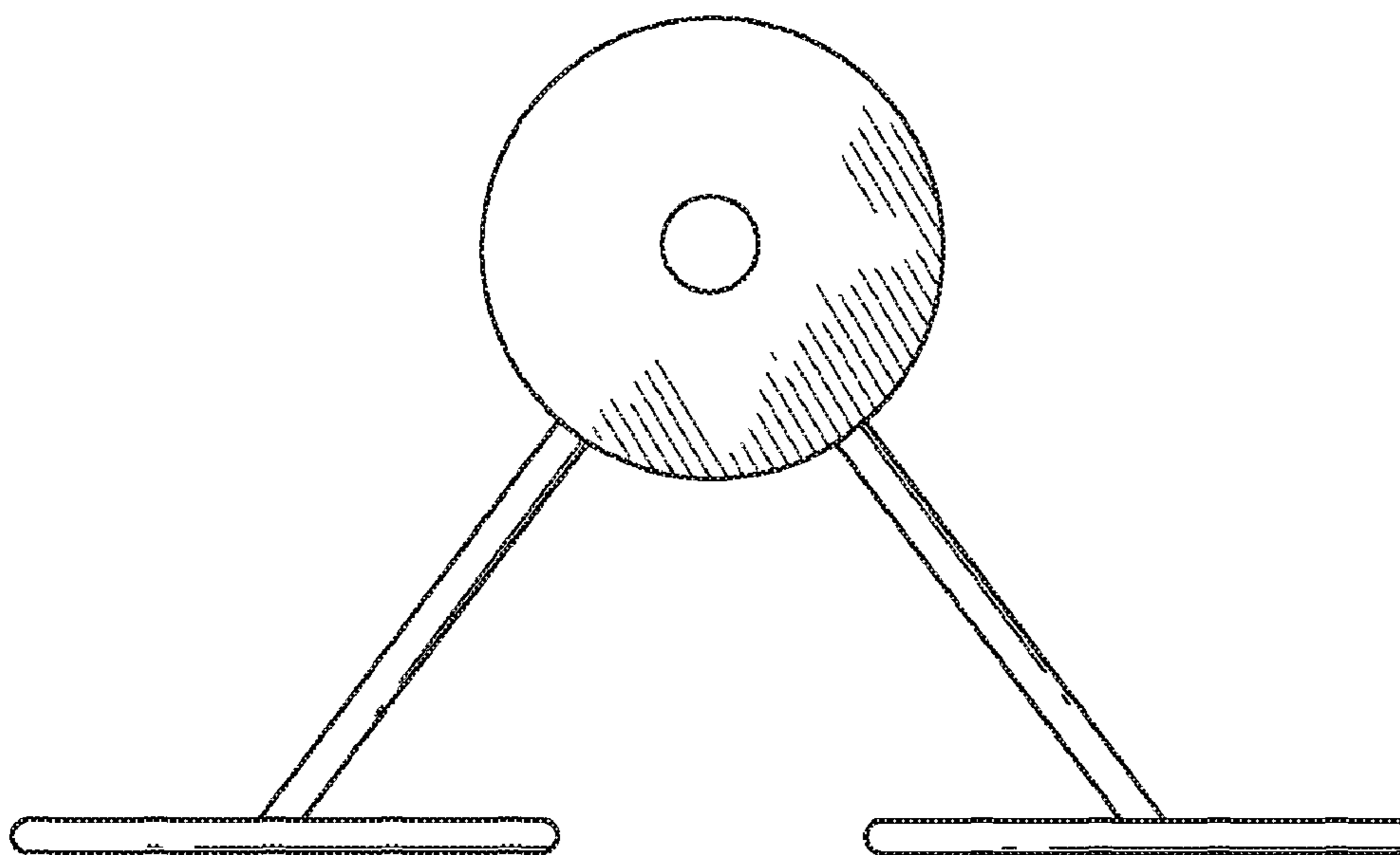


FIG. 2

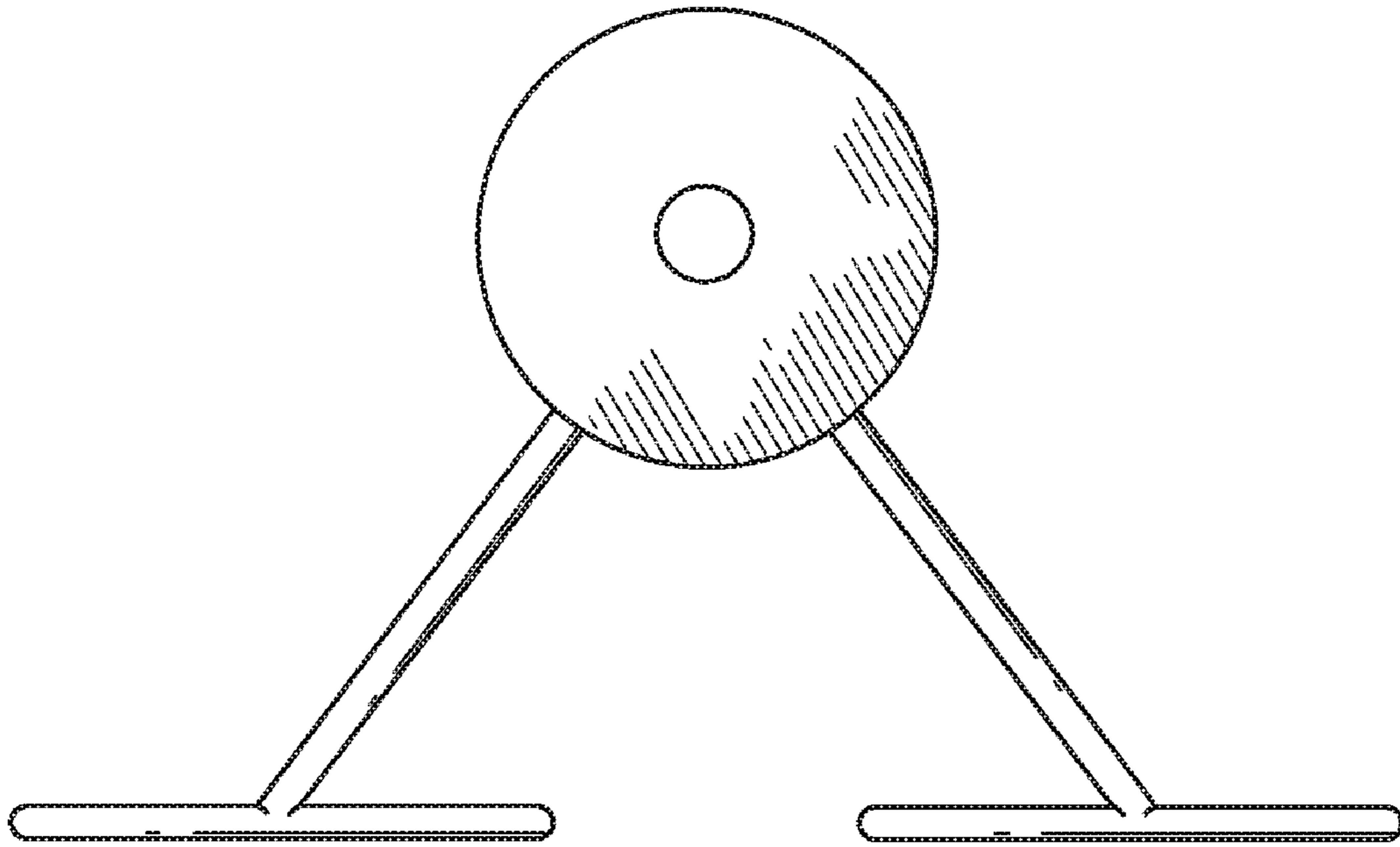


FIG. 3

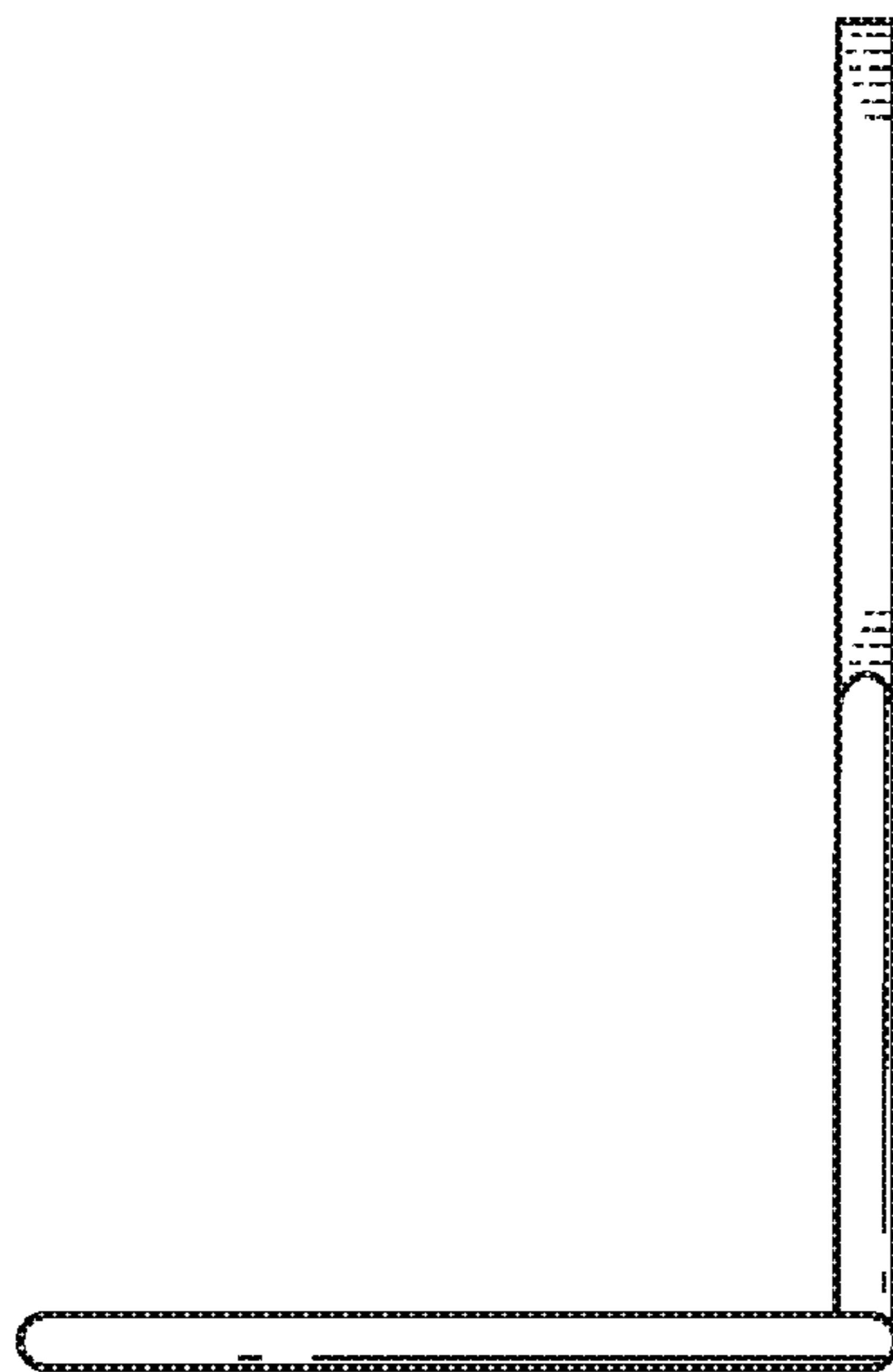


FIG. 4

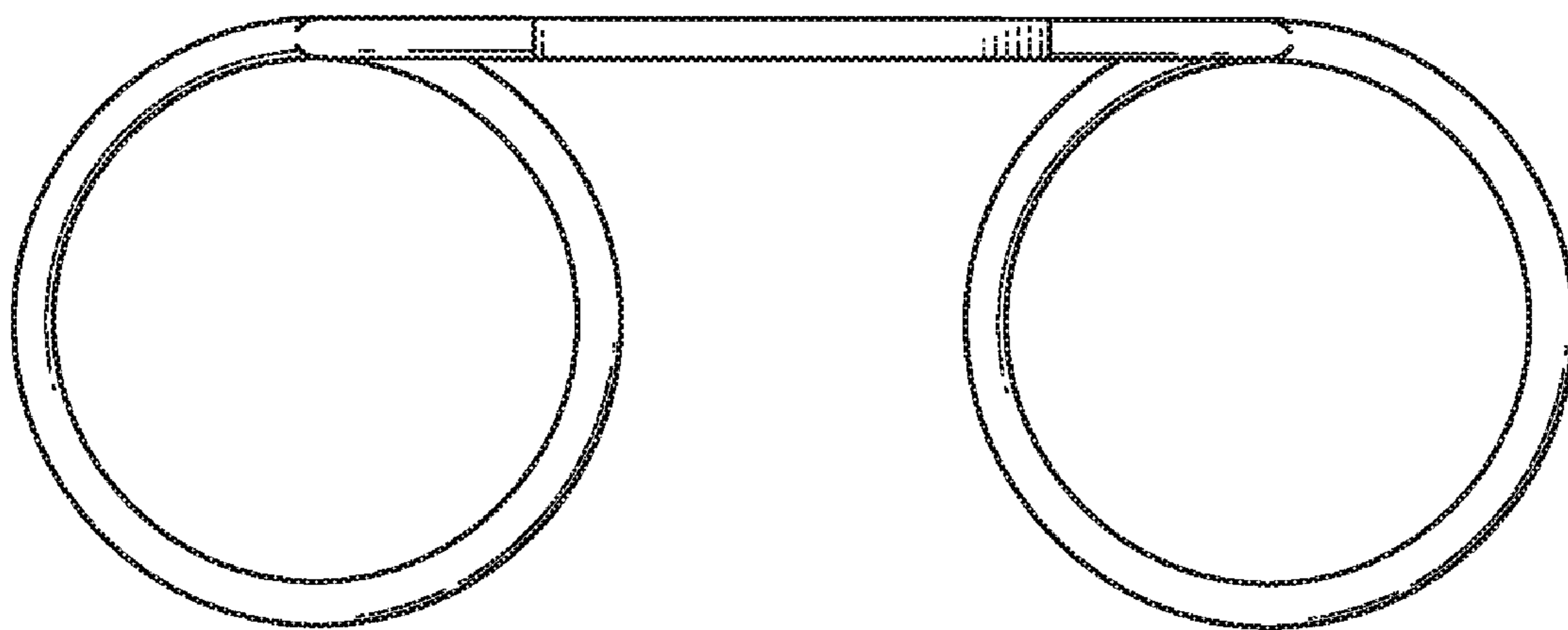


FIG. 5

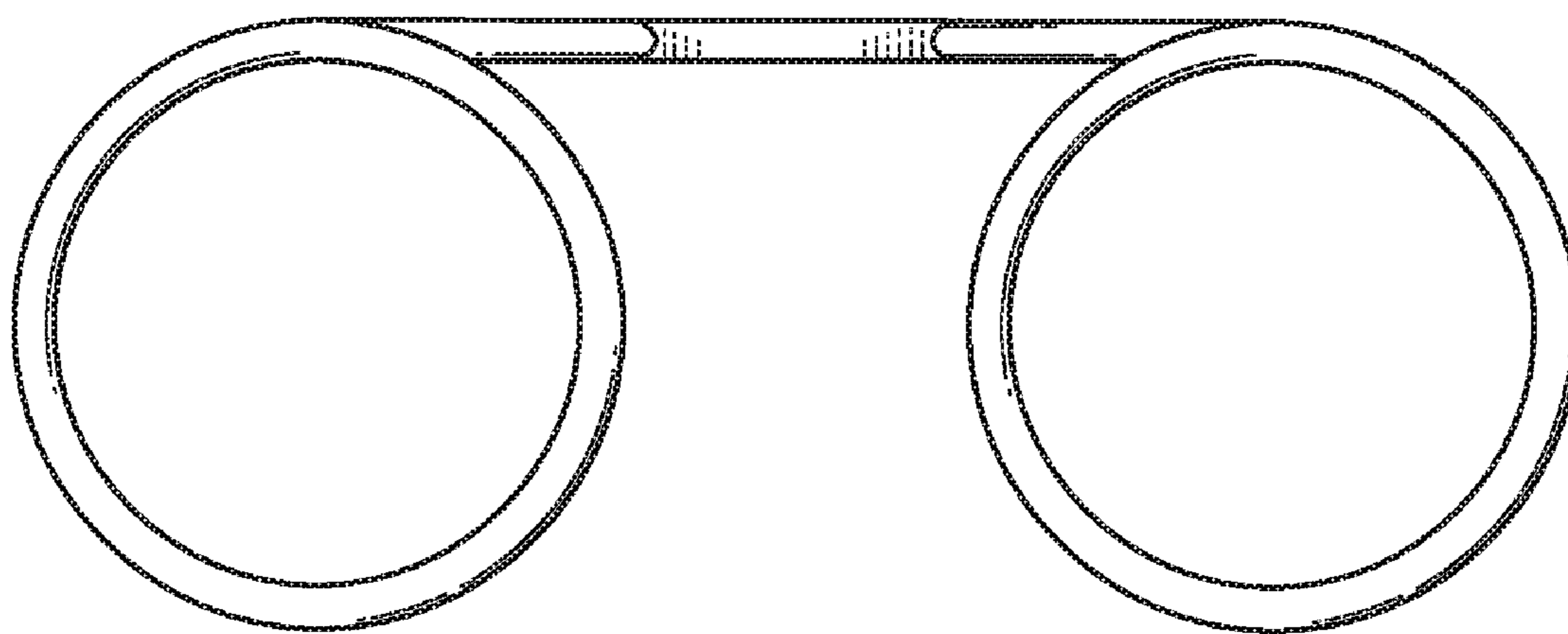


FIG. 6