



US00D621567S

(12) **United States Design Patent**
Crawley

(10) **Patent No.:** **US D621,567 S**

(45) **Date of Patent:** **** Aug. 10, 2010**

(54) **VACUUM CLEANER ACCESSORY BRUSH**

(75) **Inventor:** **Graeme Crawley**, Newcastle upon Tyne (GB)

(73) **Assignee:** **Black & Decker Inc.**, Newark, DE (US)

(**) **Term:** **14 Years**

(21) **Appl. No.:** **29/337,611**

(22) **Filed:** **May 27, 2009**

(30) **Foreign Application Priority Data**

Nov. 28, 2008 (EM) 001047849

(51) **LOC (9) Cl.** **15-05**

(52) **U.S. Cl.** **D32/33**

(58) **Field of Classification Search** D32/31-34;
15/414-422.1, 236.04, 144.4, 144.3, 406,
15/104.05, 383, 377, 412, 400-402, 387,
15/322, 344

See application file for complete search history.

(56) **References Cited**

U.S. PATENT DOCUMENTS

4,197,610	A *	4/1980	Schneider	15/383
D470,633	S *	2/2003	Kitts	D32/33
D483,536	S *	12/2003	Martin	D32/31
D506,585	S *	6/2005	Muller et al.	D32/32
D519,696	S *	4/2006	Adams	D32/33
D520,202	S *	5/2006	Dyson et al.	D32/33
D590,553	S *	4/2009	Crevling et al.	D32/31

D596,362	S *	7/2009	Crevling et al.	D32/33
D603,570	S *	11/2009	Svantesson et al.	D32/32
2005/0022336	A1 *	2/2005	Overvaag et al.	15/400

* cited by examiner

Primary Examiner—Ruth McInroy

(74) *Attorney, Agent, or Firm*—John Yun; Bruce S. Shapiro; Stephen Valancius

(57) **CLAIM**

The ornamental design for a vacuum cleaner accessory brush, as shown and described.

DESCRIPTION

FIG. 1 is a perspective view of a vacuum cleaner accessory brush showing my new design.

FIG. 2 is a left side view of the accessory brush according to FIG. 1.

FIG. 3 is a right side view of the accessory brush according to FIG. 1.

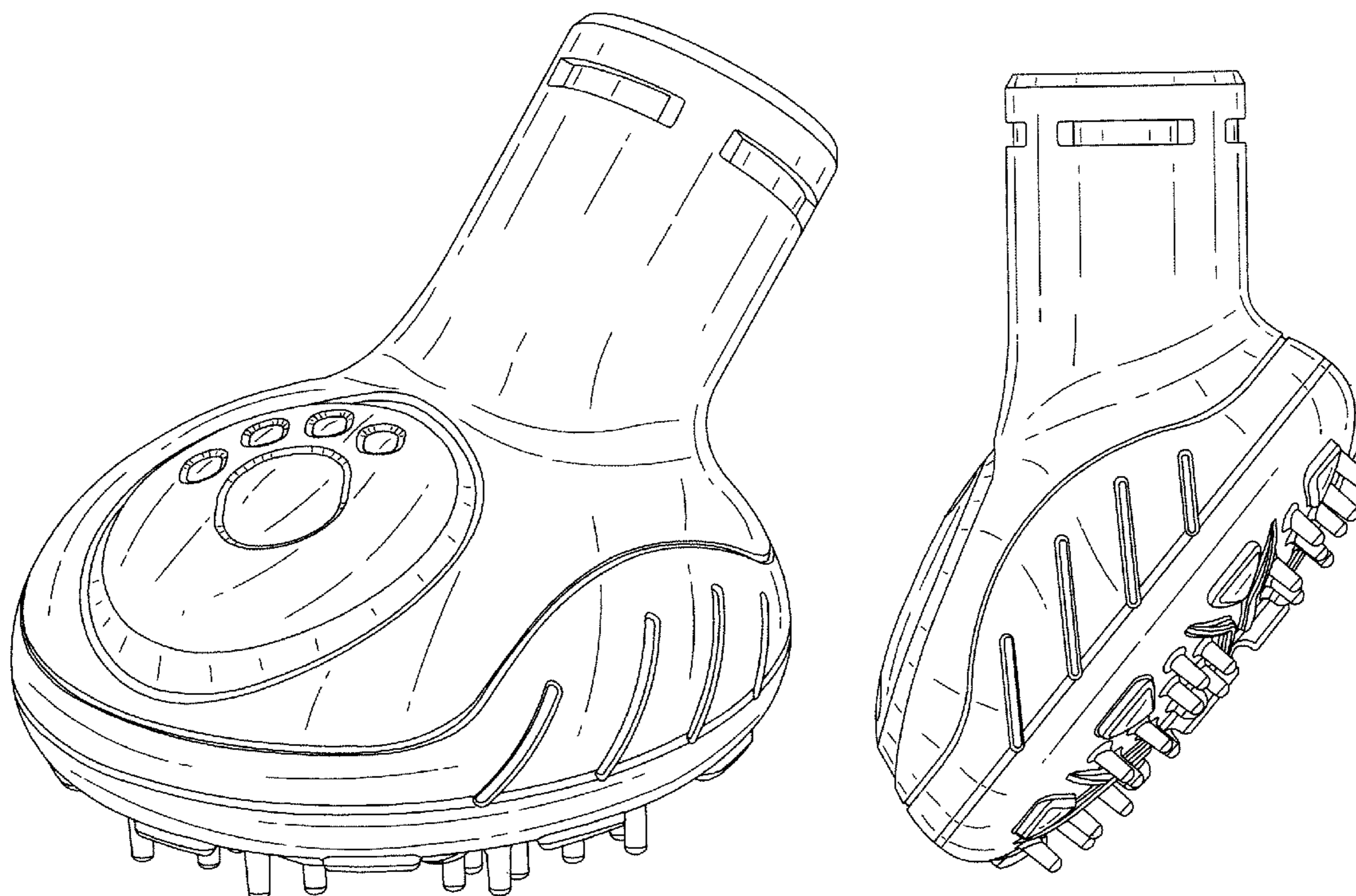
FIG. 4 is a top view of the accessory brush according to FIG. 1.

FIG. 5 is a bottom view of the accessory brush according to FIG. 1.

FIG. 6 is a rear-top perspective view of the accessory brush according to FIG. 1; and,

FIG. 7 is a front-bottom perspective view of the accessory brush according to FIG. 1.

1 Claim, 4 Drawing Sheets



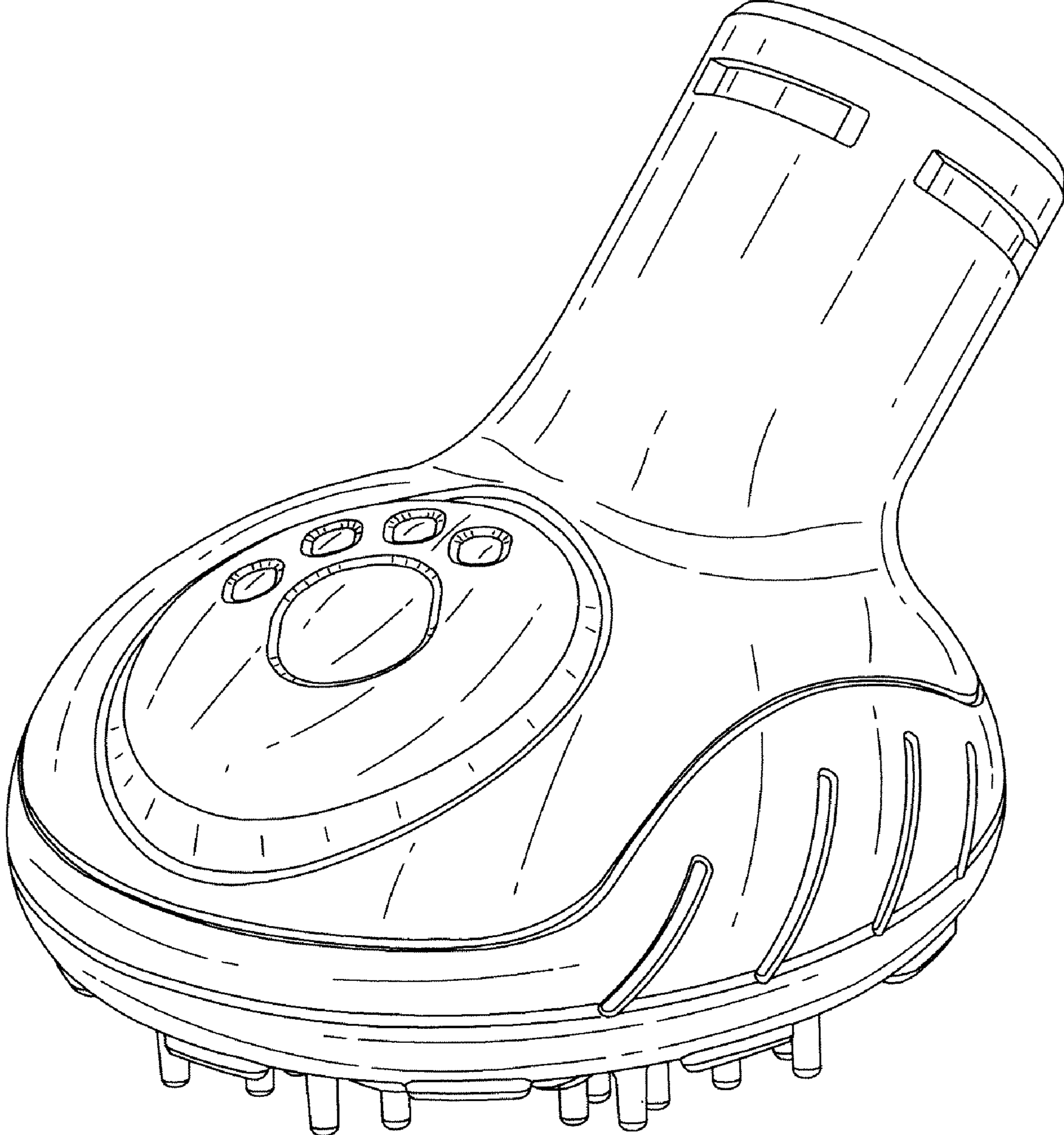


FIG.1

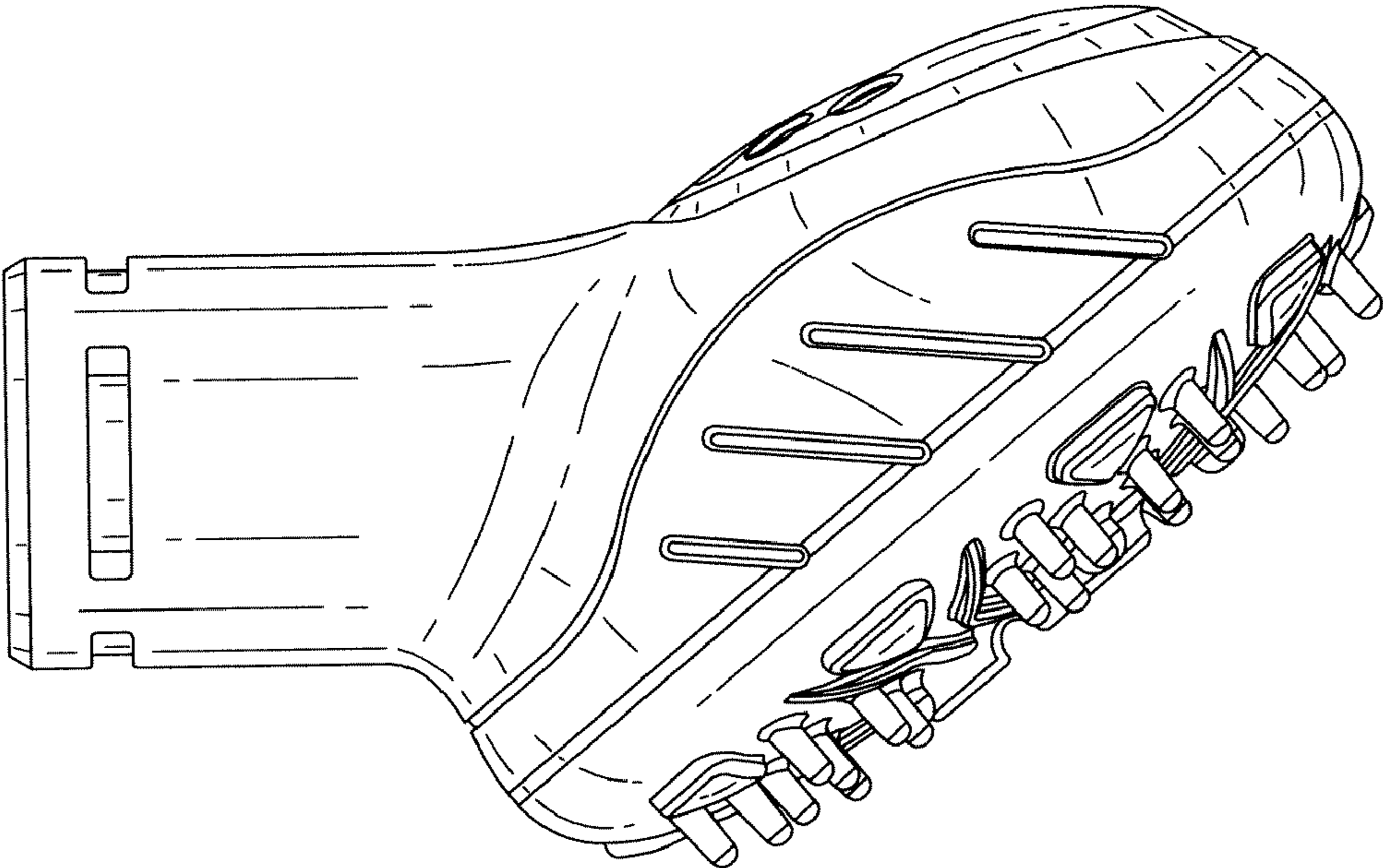


FIG.3

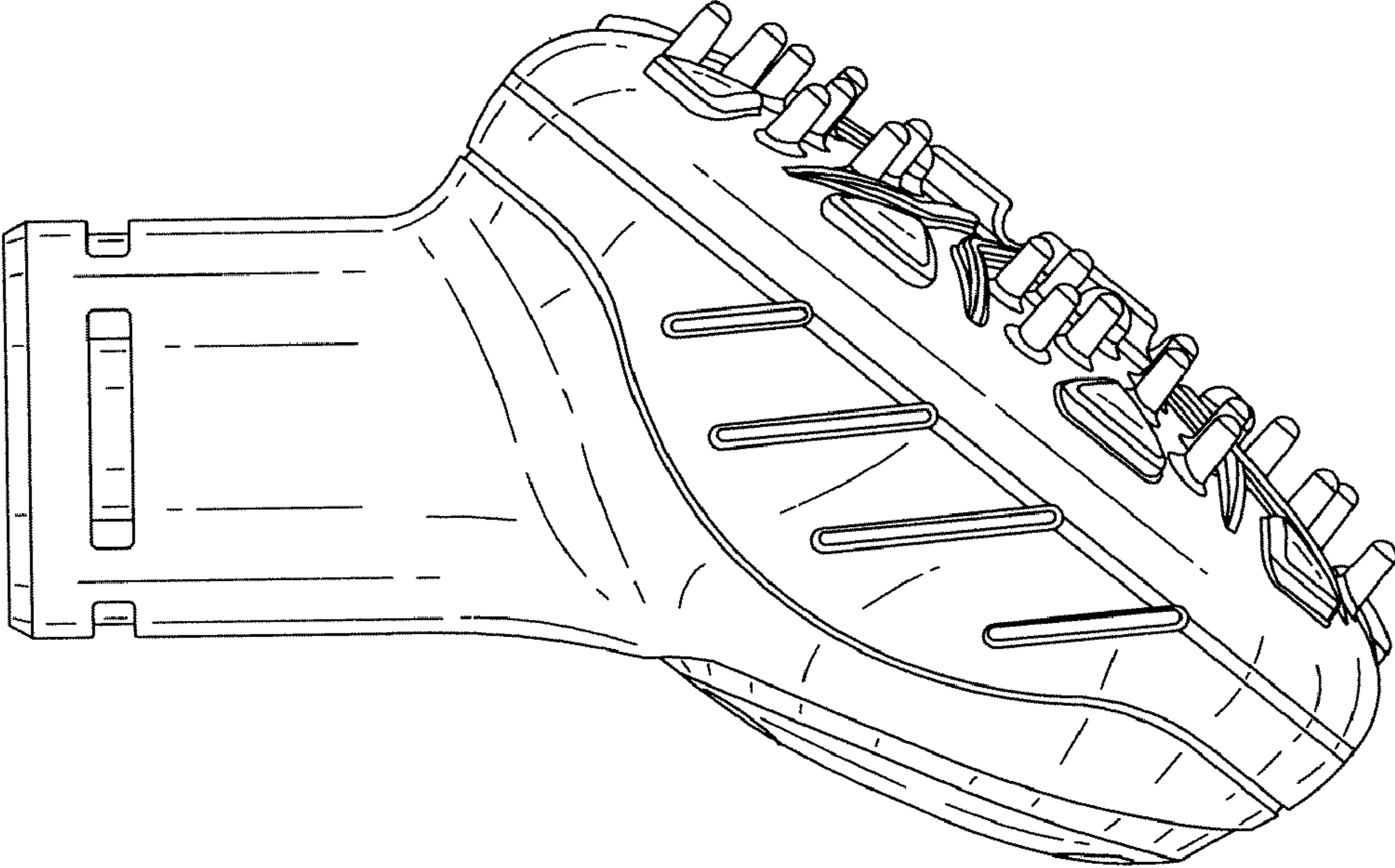


FIG.2

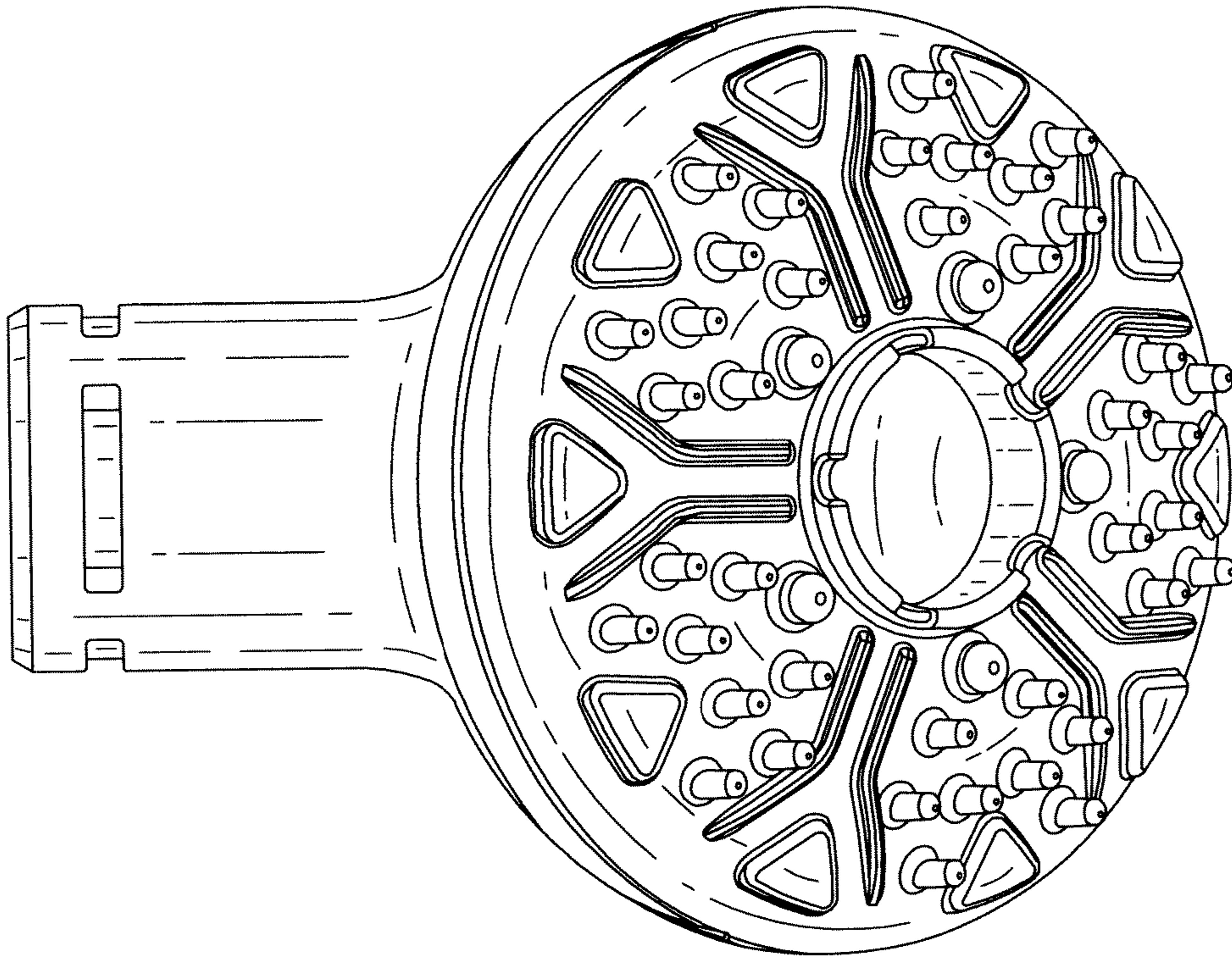


FIG. 5

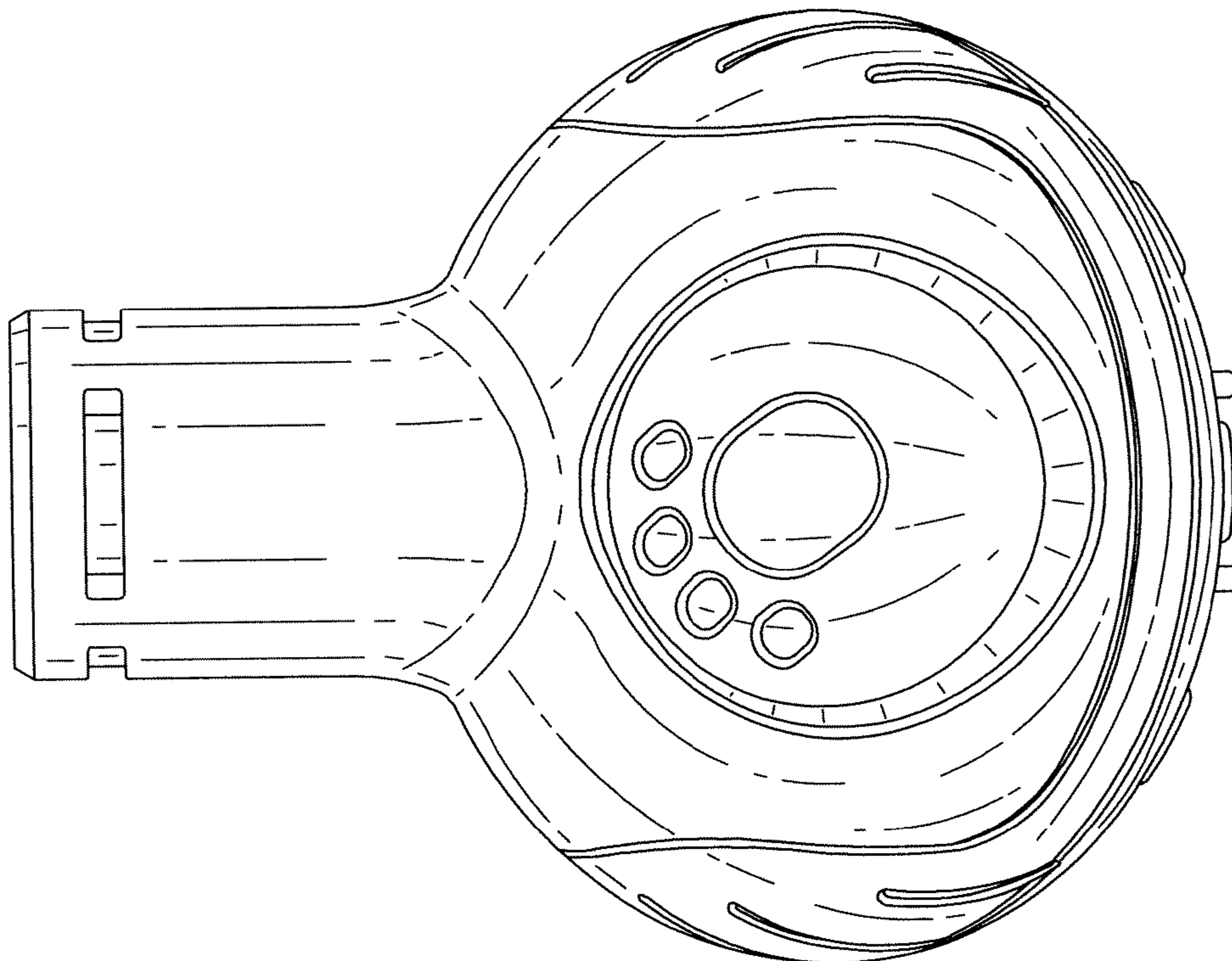


FIG. 4

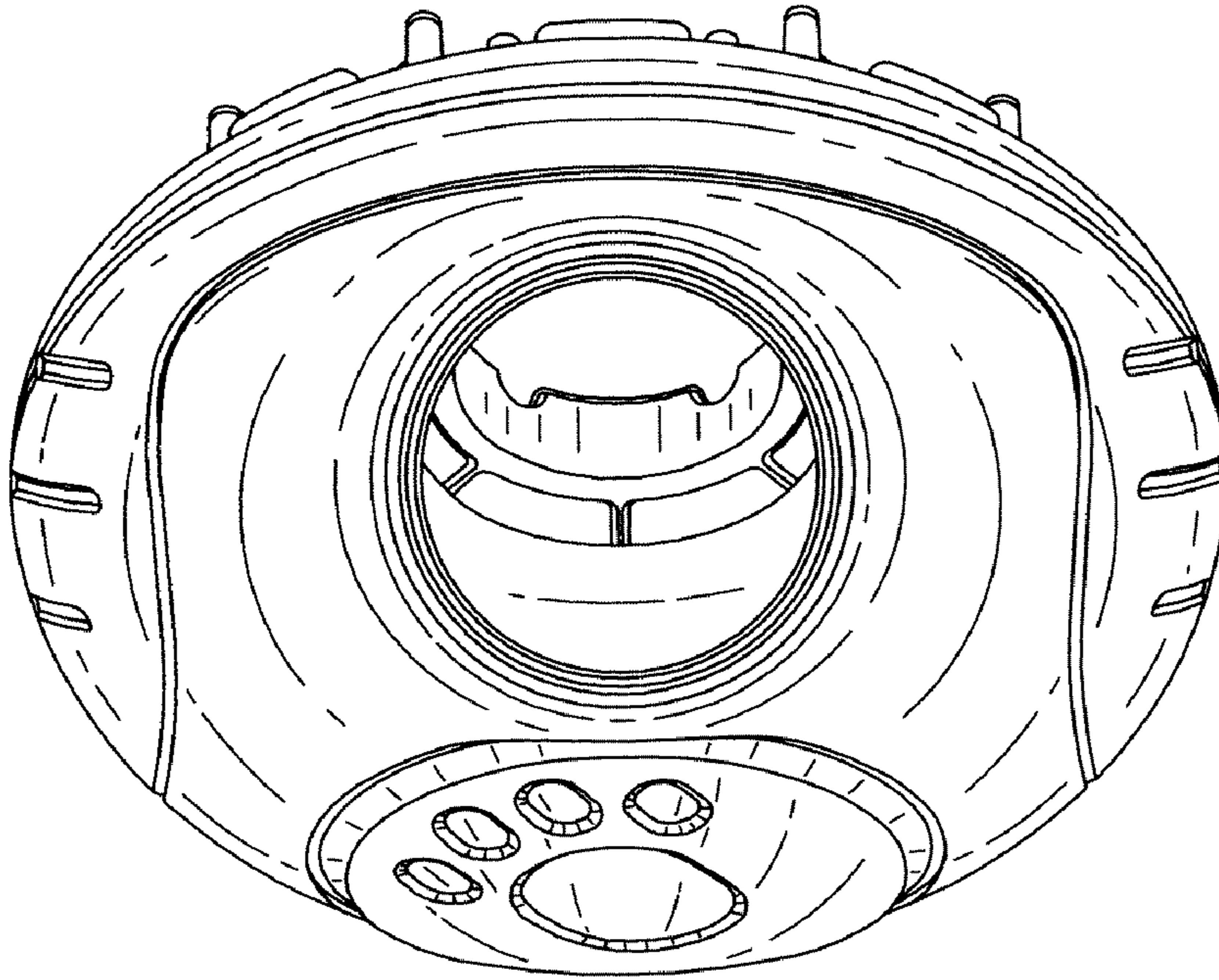


FIG. 6

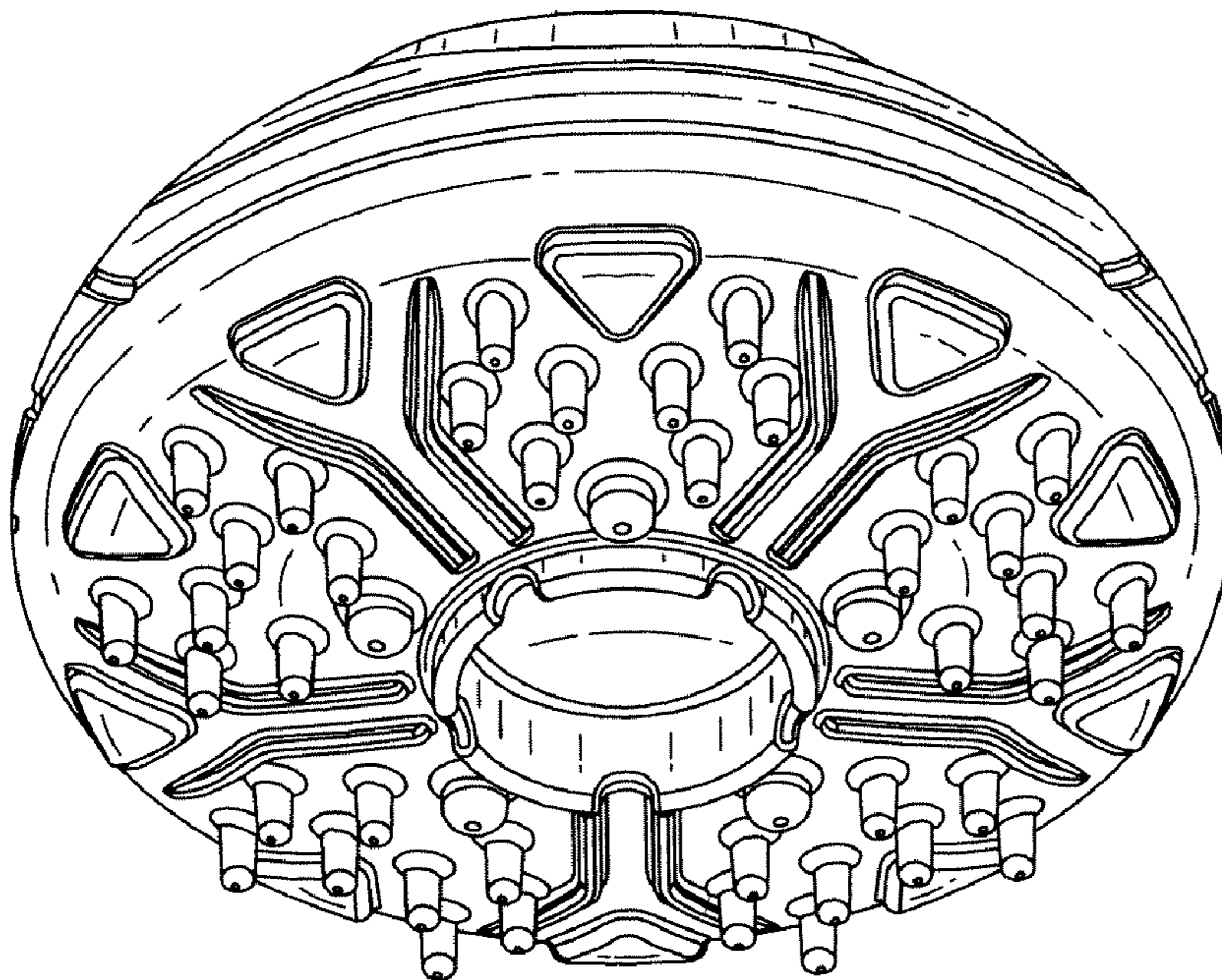


FIG. 7