



US00D621566S

(12) **United States Design Patent**
Crawley et al.

(10) **Patent No.:** **US D621,566 S**
(45) **Date of Patent:** **** Aug. 10, 2010**

(54) **VACUUM CLEANER SUCTION NOZZLE WITH FOLDABLE BRUSH**

(74) *Attorney, Agent, or Firm*—John Yun; Bruce S. Shapiro; Stephen Valancius

(75) Inventors: **Graeme Crawley**, Newcastle Upon Tyne (GB); **Derek Muir**, Durham (GB)

(57) **CLAIM**

(73) Assignee: **Black & Decker Inc.**, Newark, DE (US)

The ornamental design for a vacuum cleaner suction nozzle with foldable brush, as shown and described.

(**) Term: **14 Years**

DESCRIPTION

(21) Appl. No.: **29/336,418**

FIG. 1 is a perspective view of a vacuum cleaner suction nozzle with a foldable brush in a working position showing my new design.

(22) Filed: **May 4, 2009**

FIG. 2 is a right side view of the suction nozzle according to FIG. 1.

(30) **Foreign Application Priority Data**

Nov. 7, 2008 (EP) 001035026

FIG. 3 is a left side view of the suction nozzle according to FIG. 1.

(51) **LOC (9) Cl.** **15-05**

FIG. 4 is a top view of the suction nozzle according to FIG. 1.

(52) **U.S. Cl.** **D32/33**

FIG. 5 is a bottom view of the suction nozzle according to FIG. 1.

(58) **Field of Classification Search** D32/31-34;
15/414-422.1, 236.04, 144.4, 144.3, 406,
15/104.05, 383, 377, 412, 400-402, 387,
15/322, 344

FIG. 6 is a rear view of the suction nozzle according to FIG. 1.

See application file for complete search history.

FIG. 7 is a front view of the suction nozzle according to FIG. 1.

(56) **References Cited**

U.S. PATENT DOCUMENTS

D375,588 S *	11/1996	Bzoch	D30/158
5,768,748 A *	6/1998	Silvera et al.	15/402
D470,633 S *	2/2003	Kitts	D32/33
D483,536 S *	12/2003	Martin	D32/31
D488,271 S *	4/2004	Schroter	D32/31
6,820,305 B2 *	11/2004	Albert et al.	15/415.1
D506,046 S *	6/2005	Schroter	D32/32
D519,696 S *	4/2006	Adams	D32/33
D520,202 S *	5/2006	Dyson et al.	D32/33
7,036,184 B2 *	5/2006	Kim	15/397
D565,261 S *	3/2008	Peace	D32/31
D603,570 S *	11/2009	Svantesson et al.	D32/32
2005/0044660 A1 *	3/2005	Kim	15/415.1

FIG. 8 is a perspective view of the vacuum cleaner suction nozzle of FIG. 1 with the foldable brush in a retracted position.

FIG. 9 is a right side view of the suction nozzle according to FIG. 8.

FIG. 10 is a left side view of the suction nozzle according to FIG. 8.

FIG. 11 is a front perspective view of the suction nozzle according to FIG. 8.

FIG. 12 is a rear perspective view of the suction nozzle according to FIG. 8.

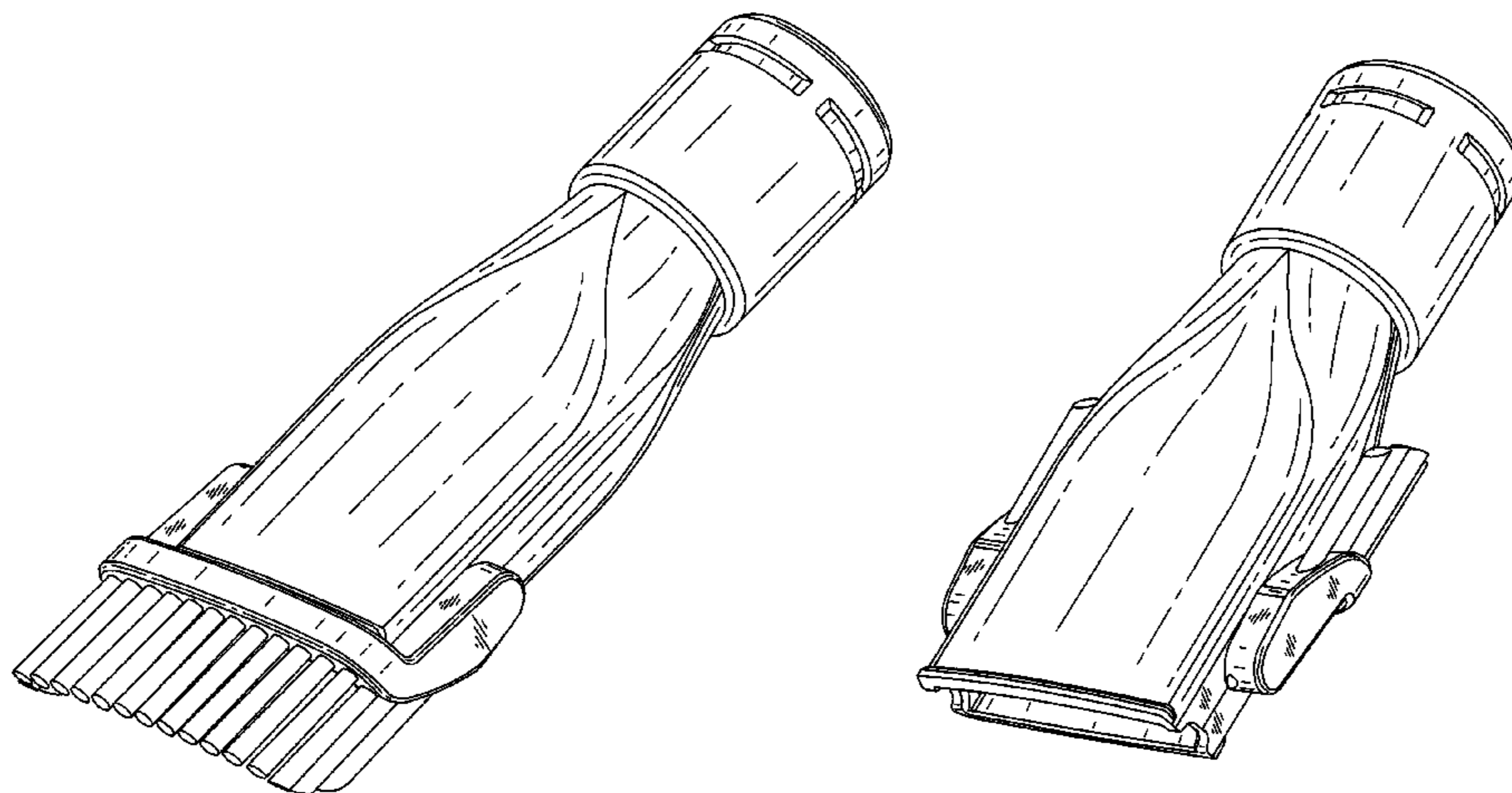
FIG. 13 is a top perspective view of the suction nozzle according to FIG. 8; and,

FIG. 14 is a bottom perspective view of the suction nozzle according to FIG. 8.

* cited by examiner

Primary Examiner—Ruth McInroy

1 Claim, 11 Drawing Sheets



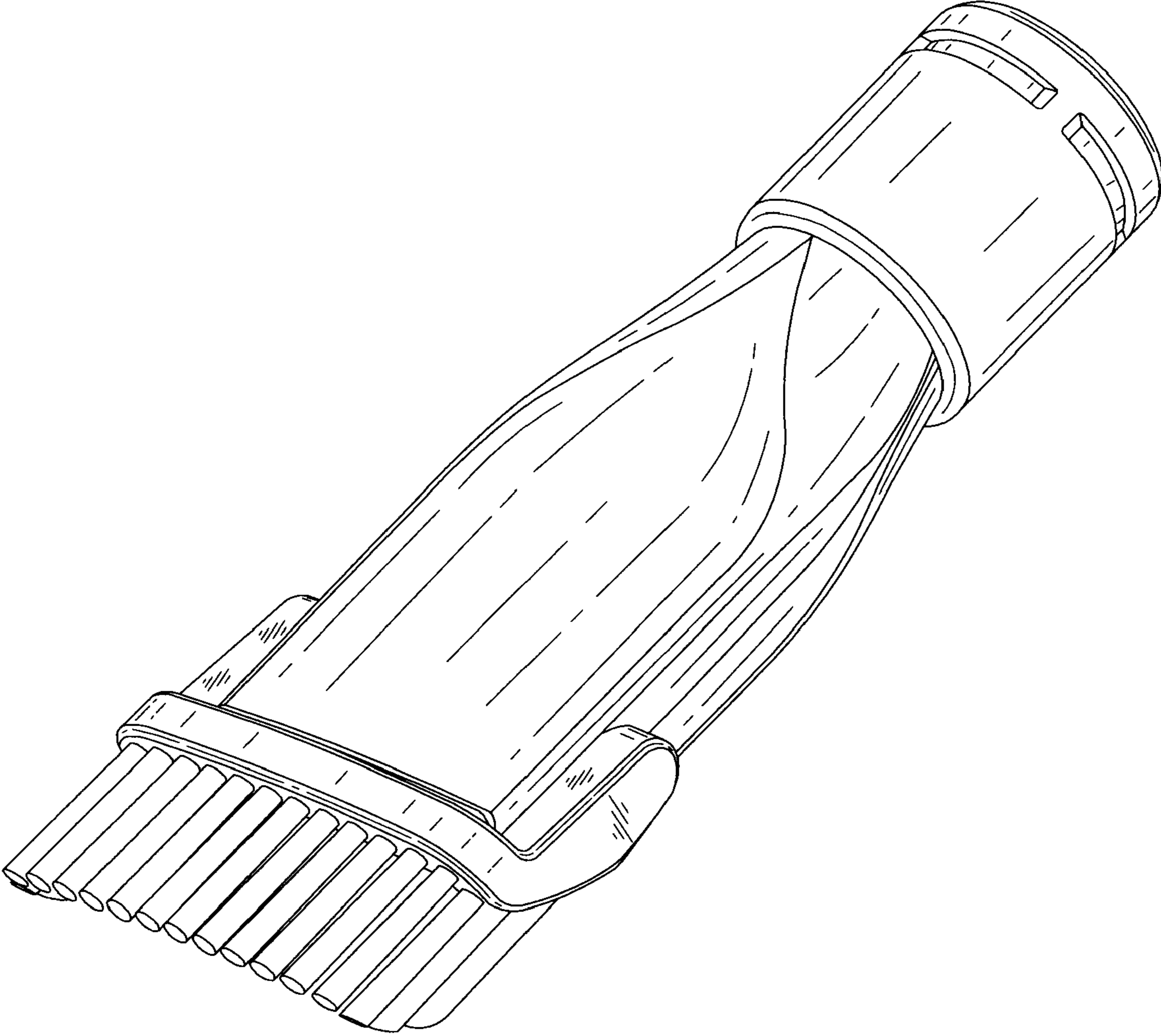


FIG.1

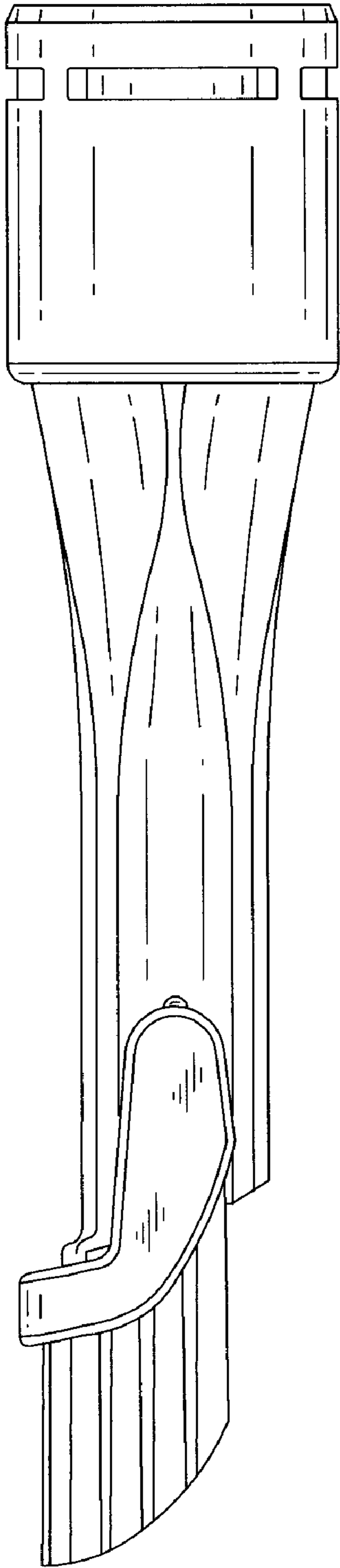


FIG. 2

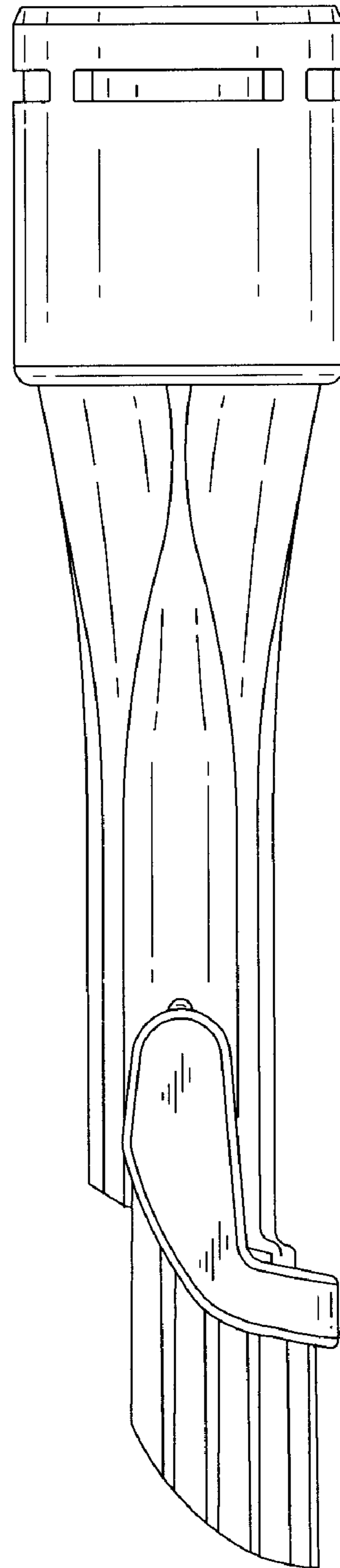


FIG. 3

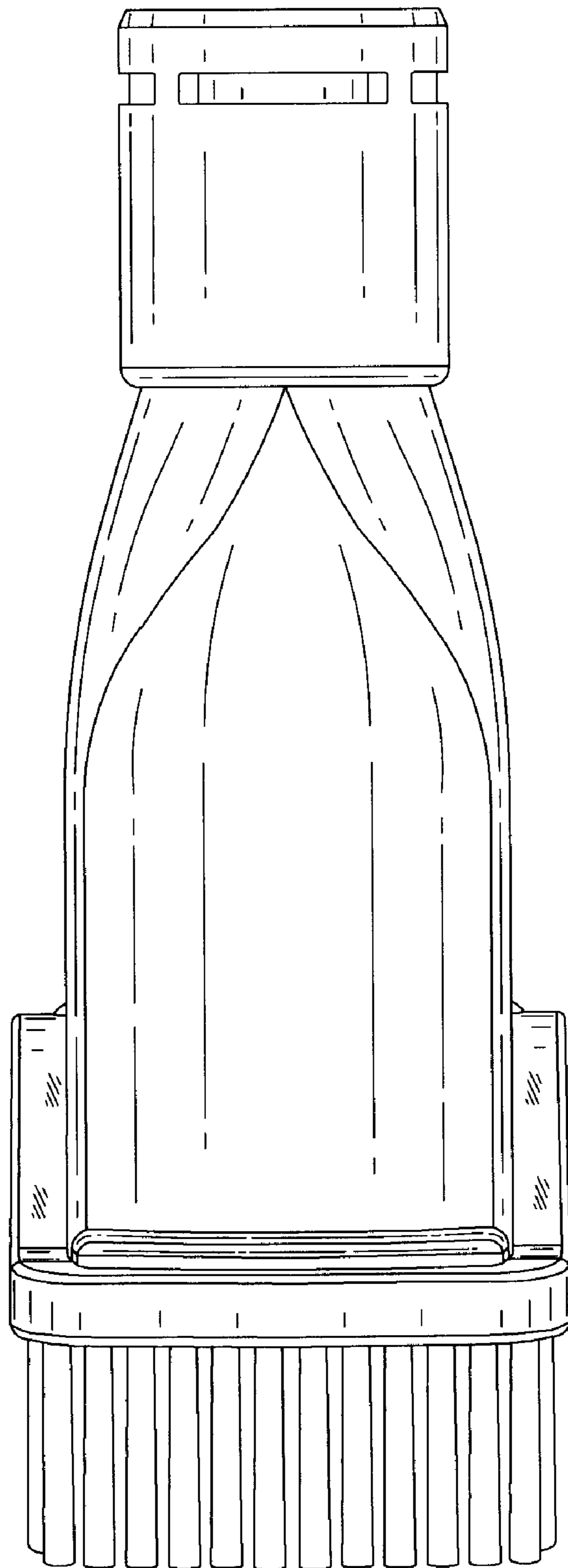


FIG.4

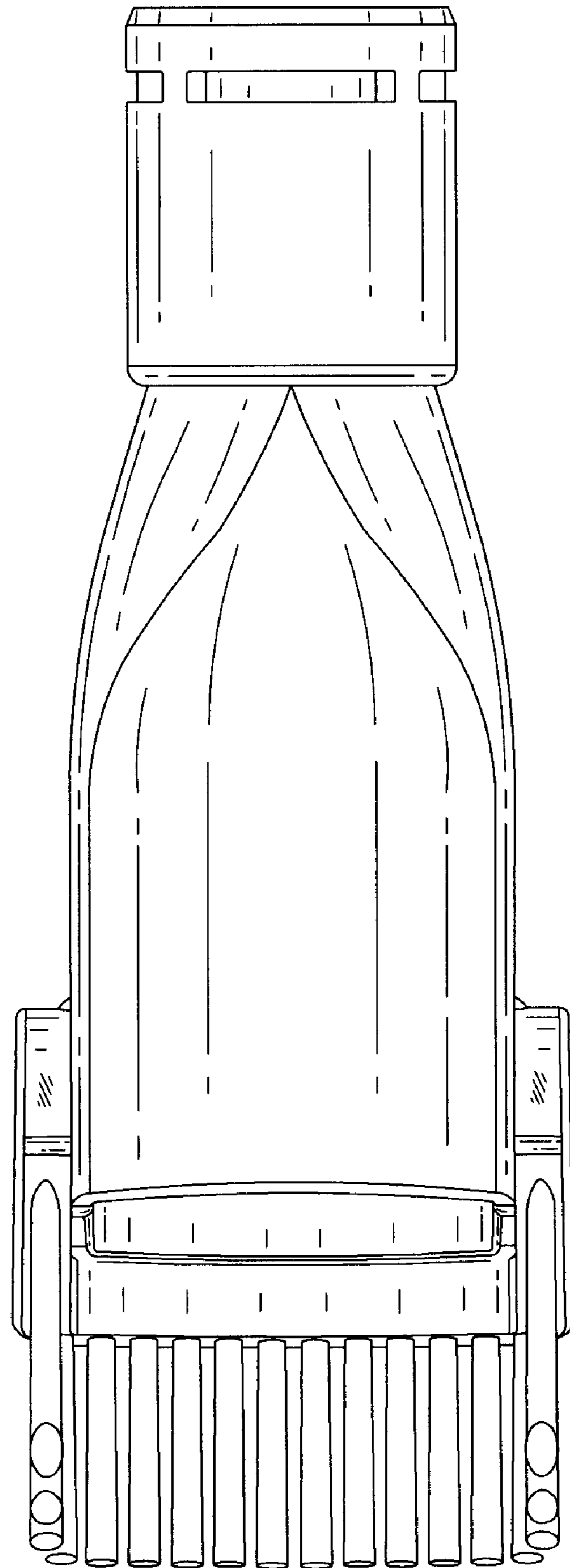


FIG.5

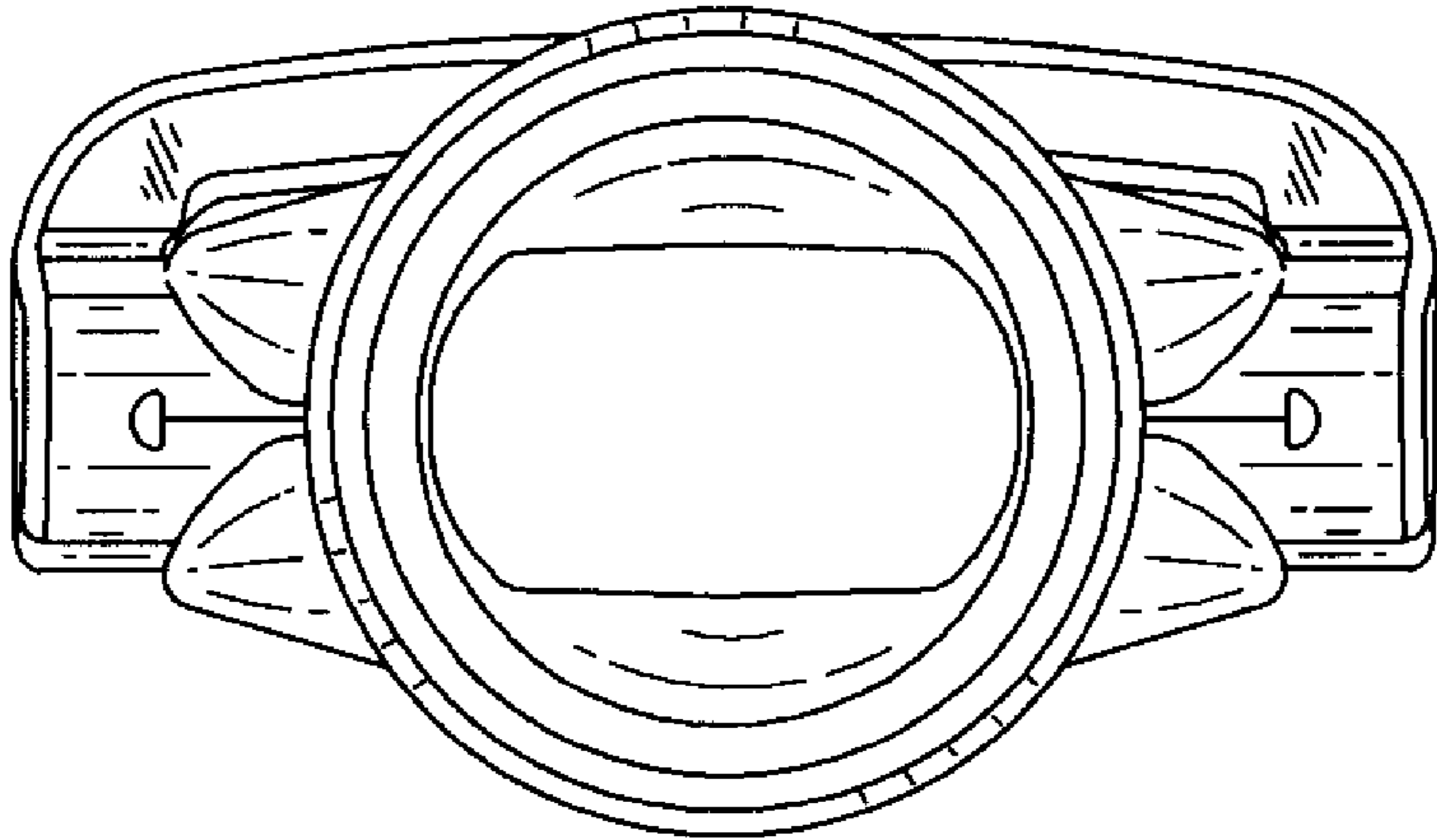


FIG. 6

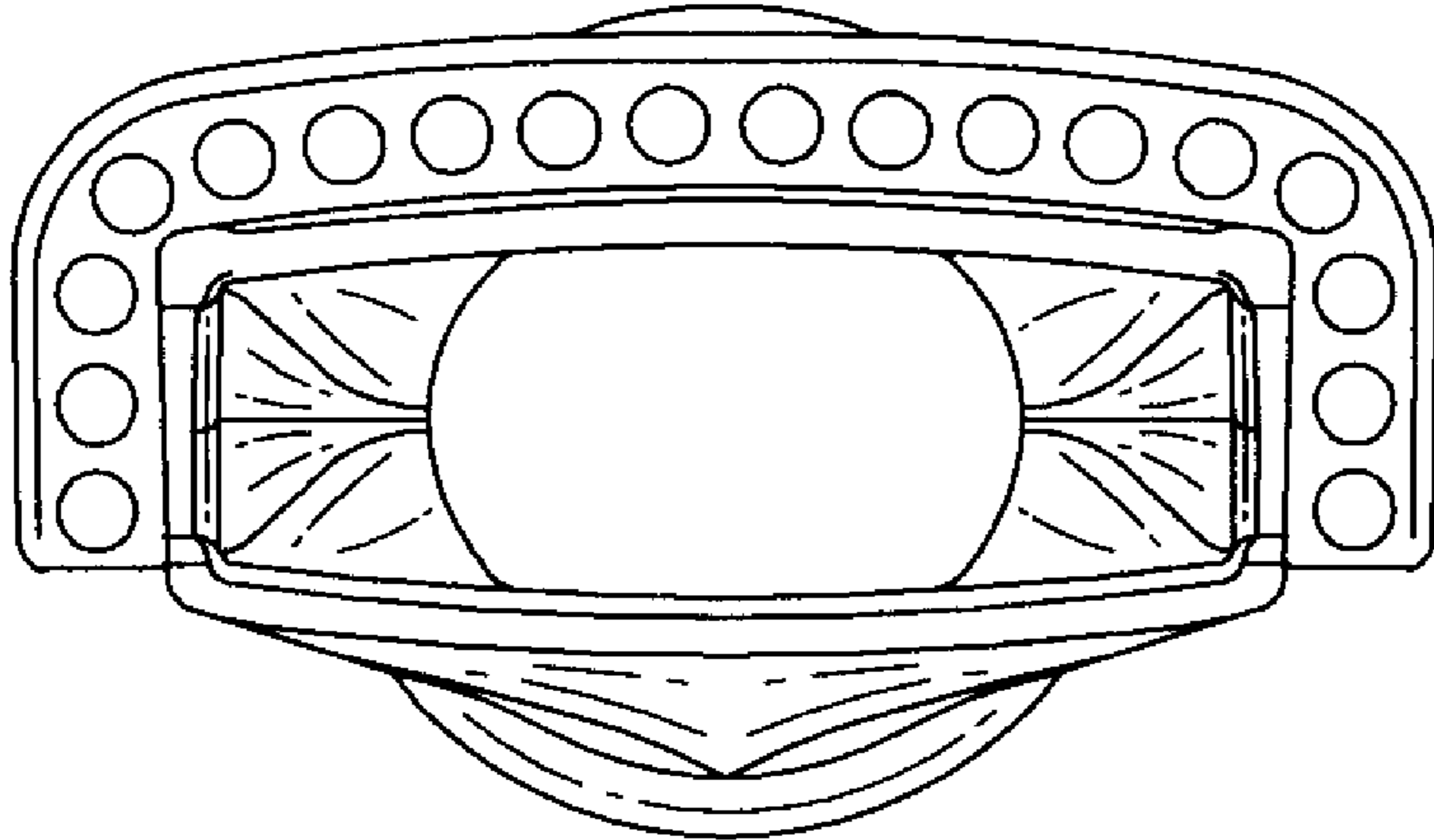


FIG. 7

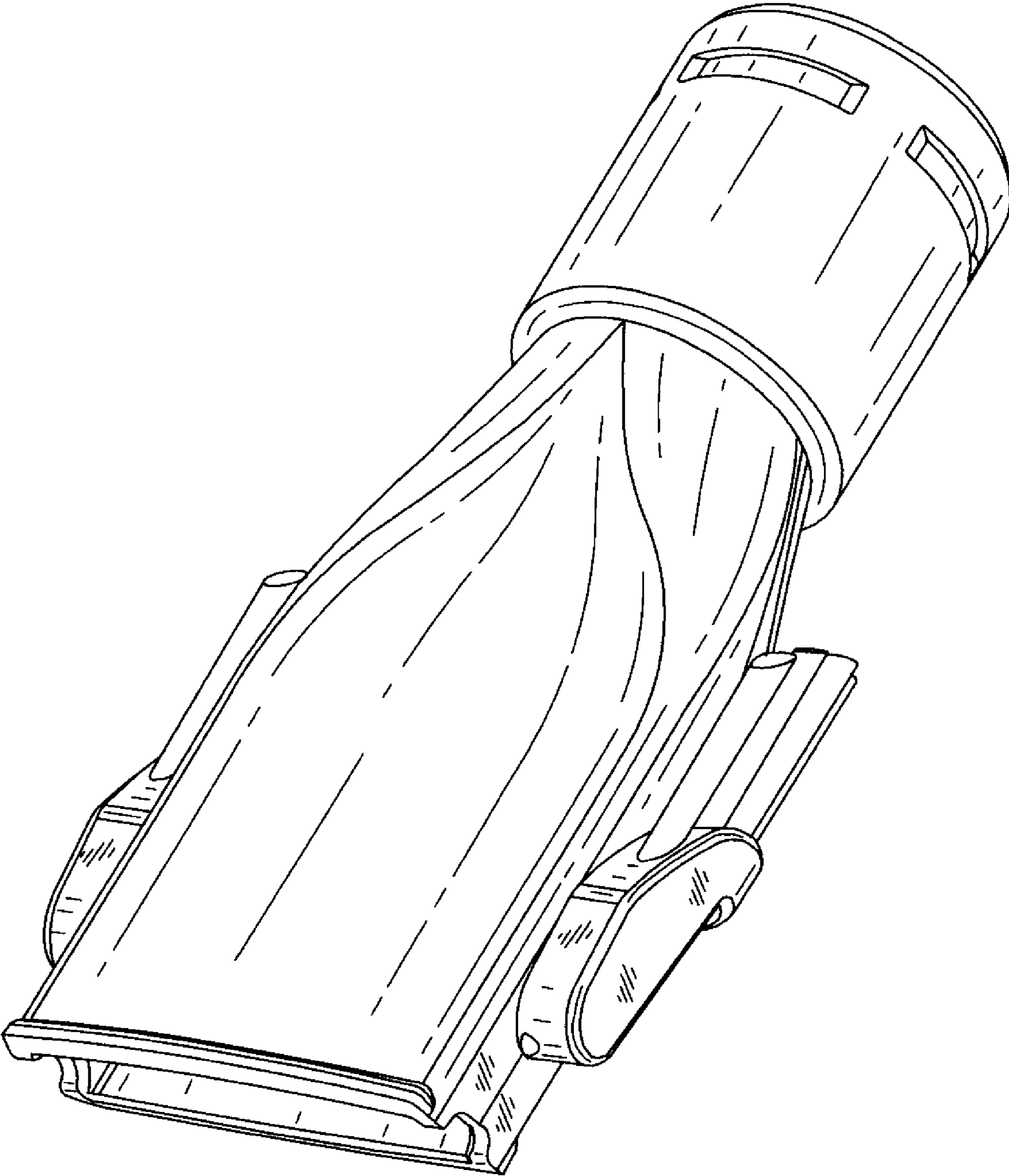


FIG.8

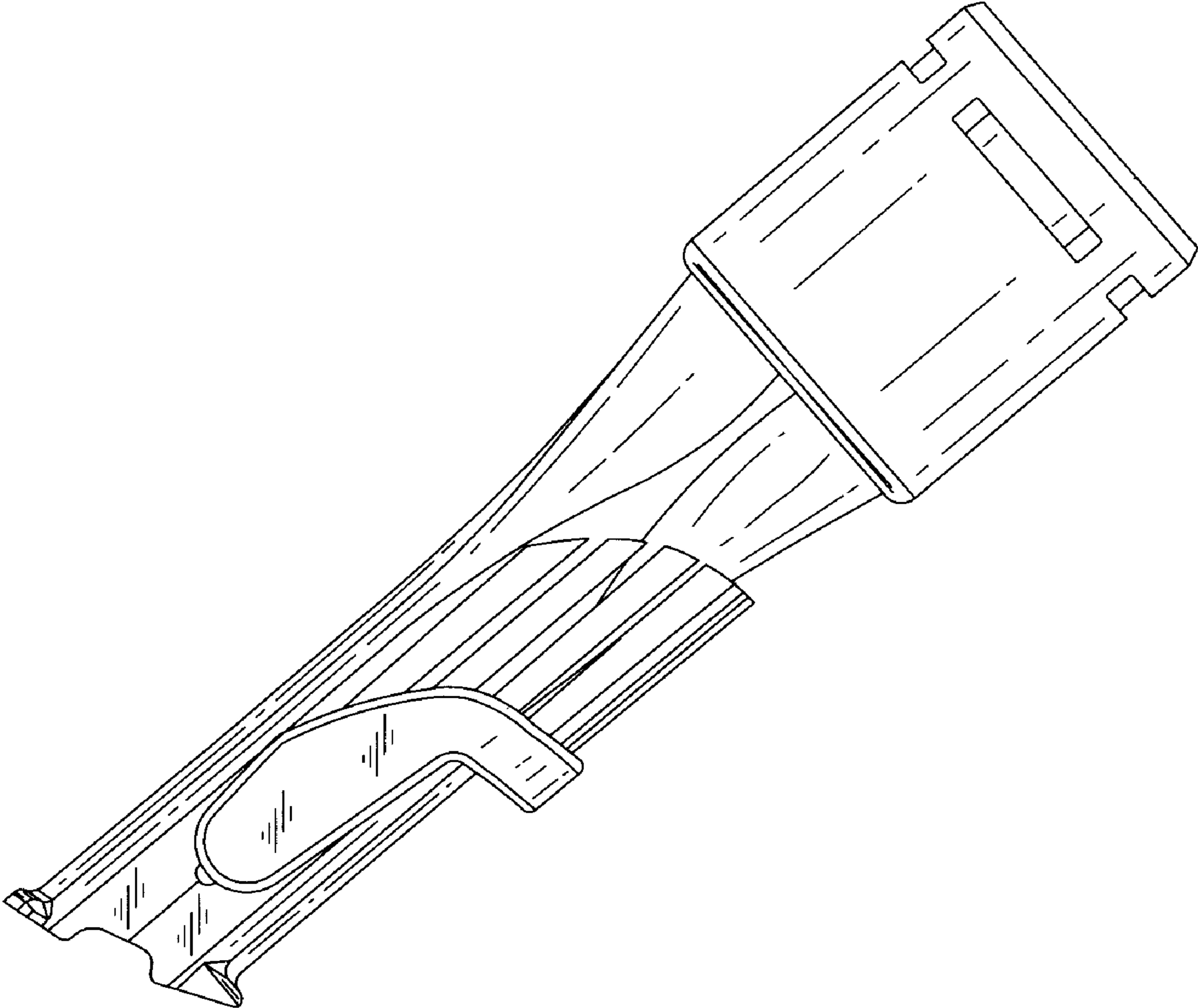


FIG.9

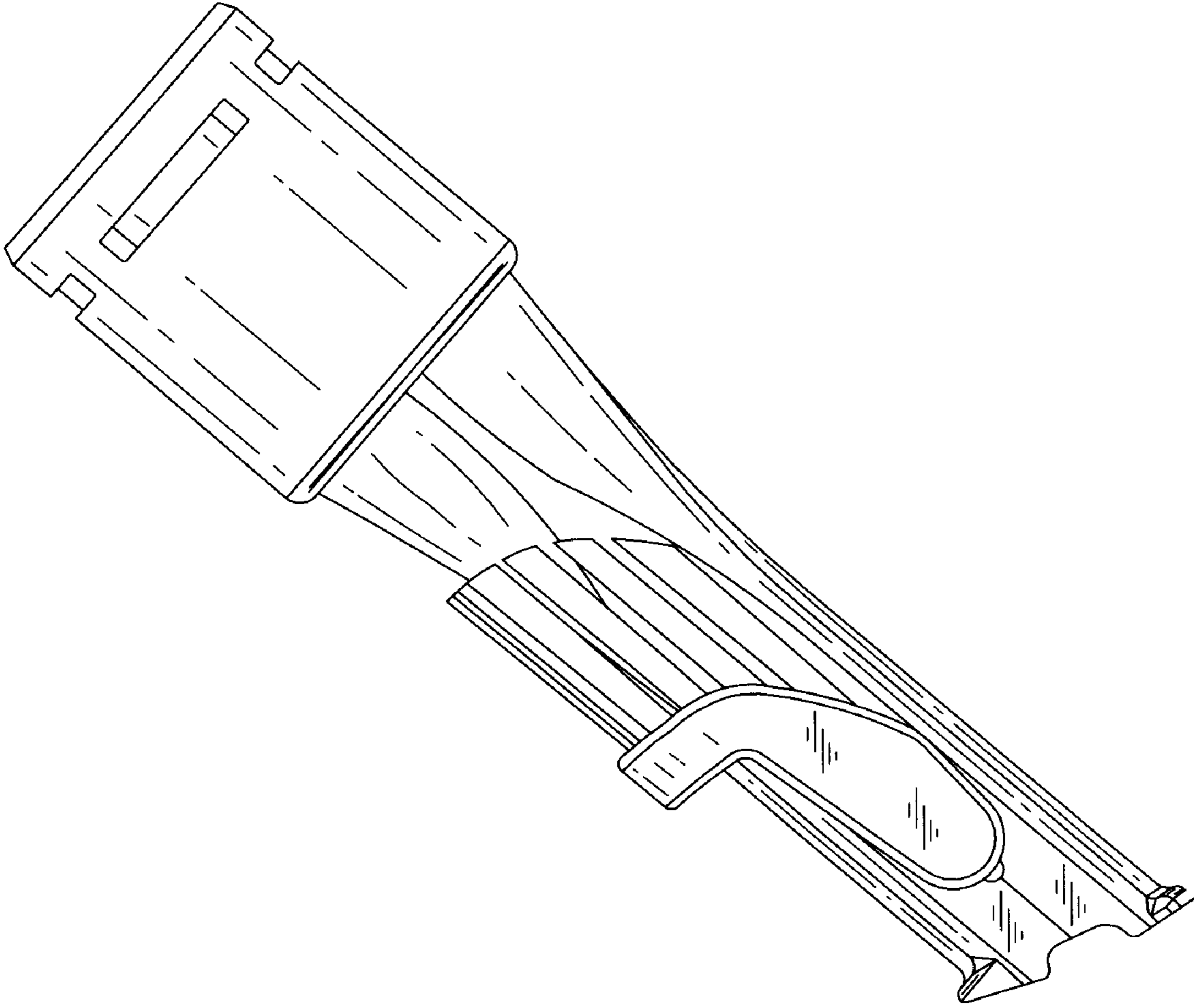


FIG.10

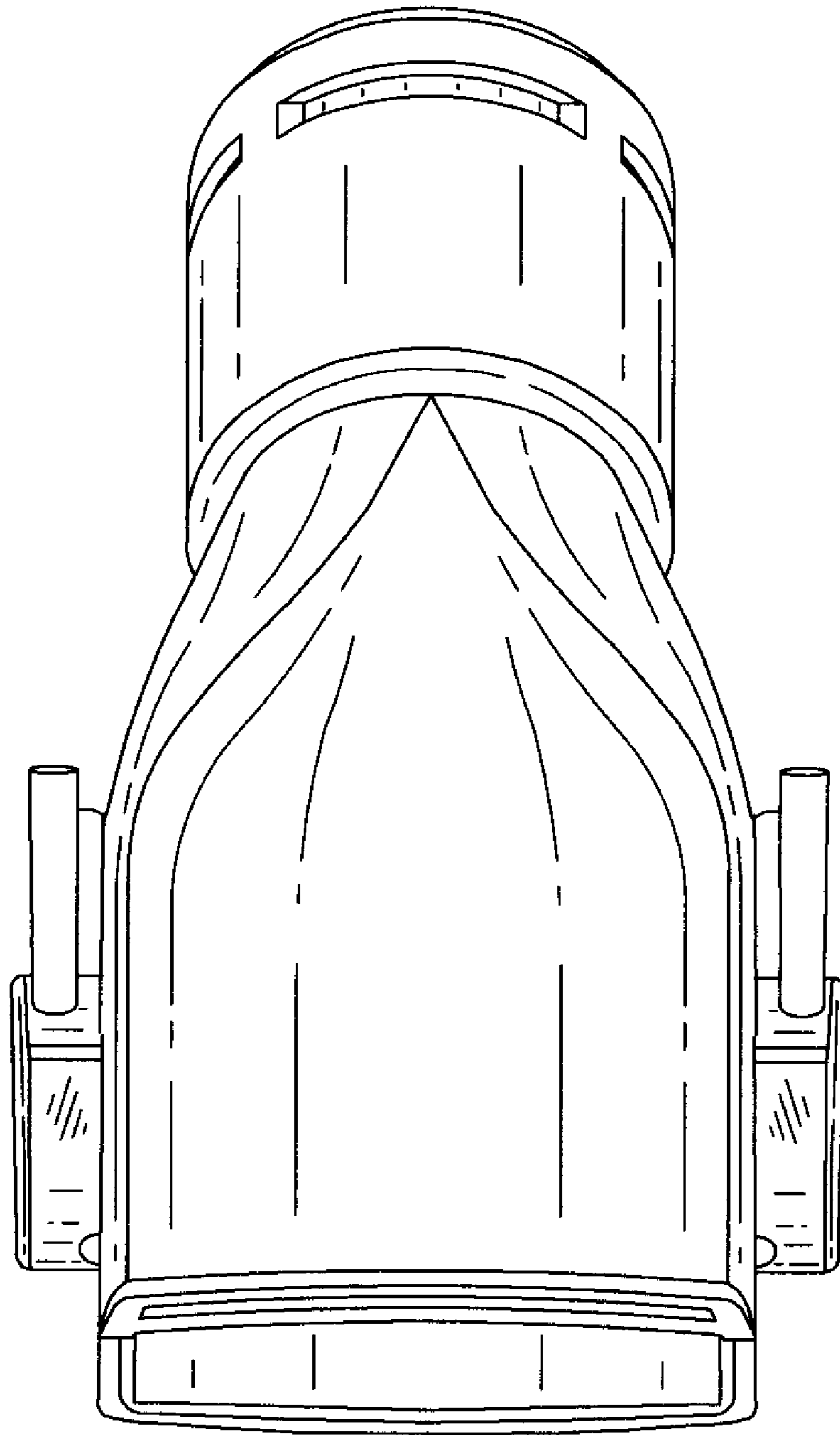


FIG.11

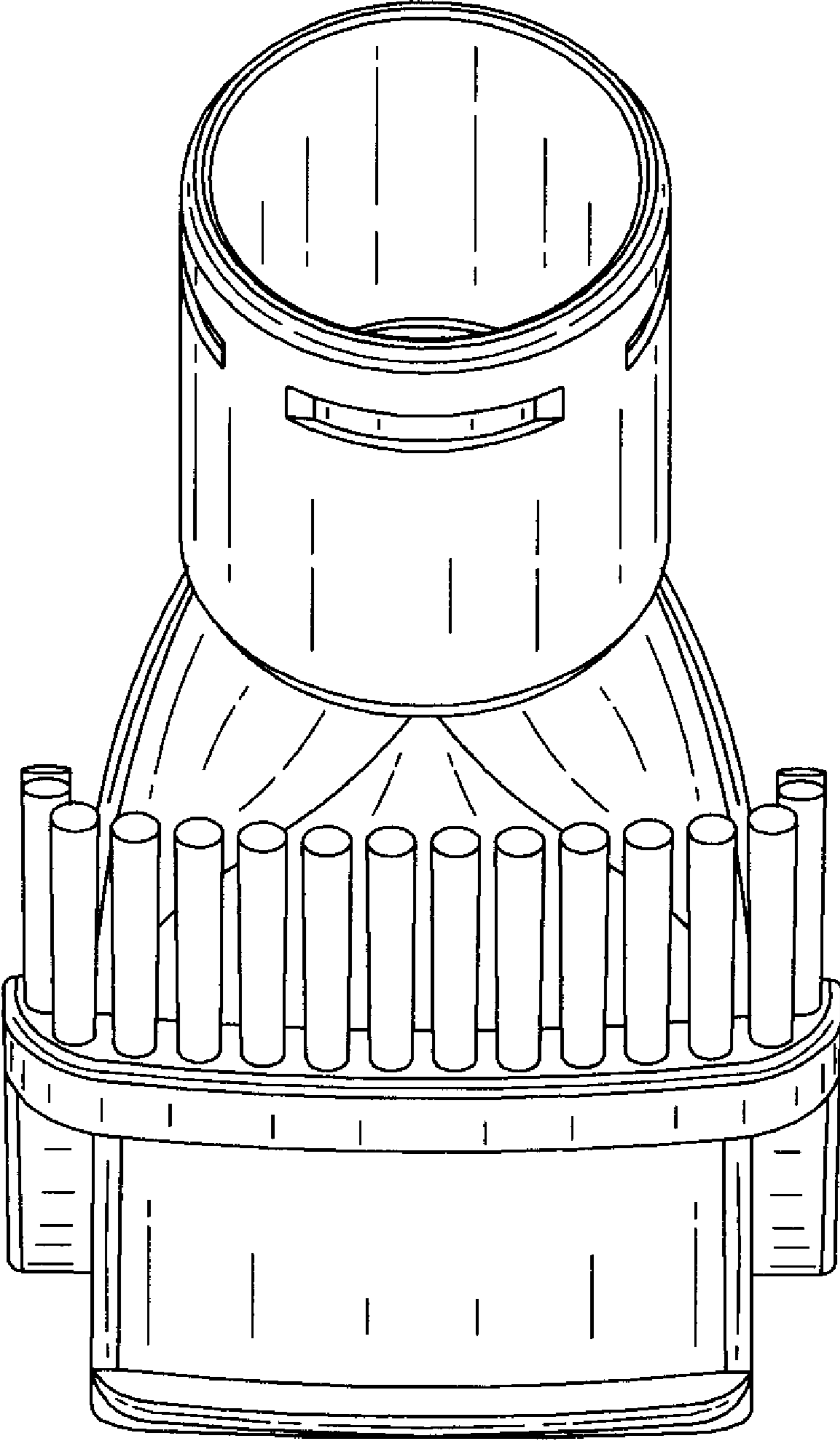


FIG.12

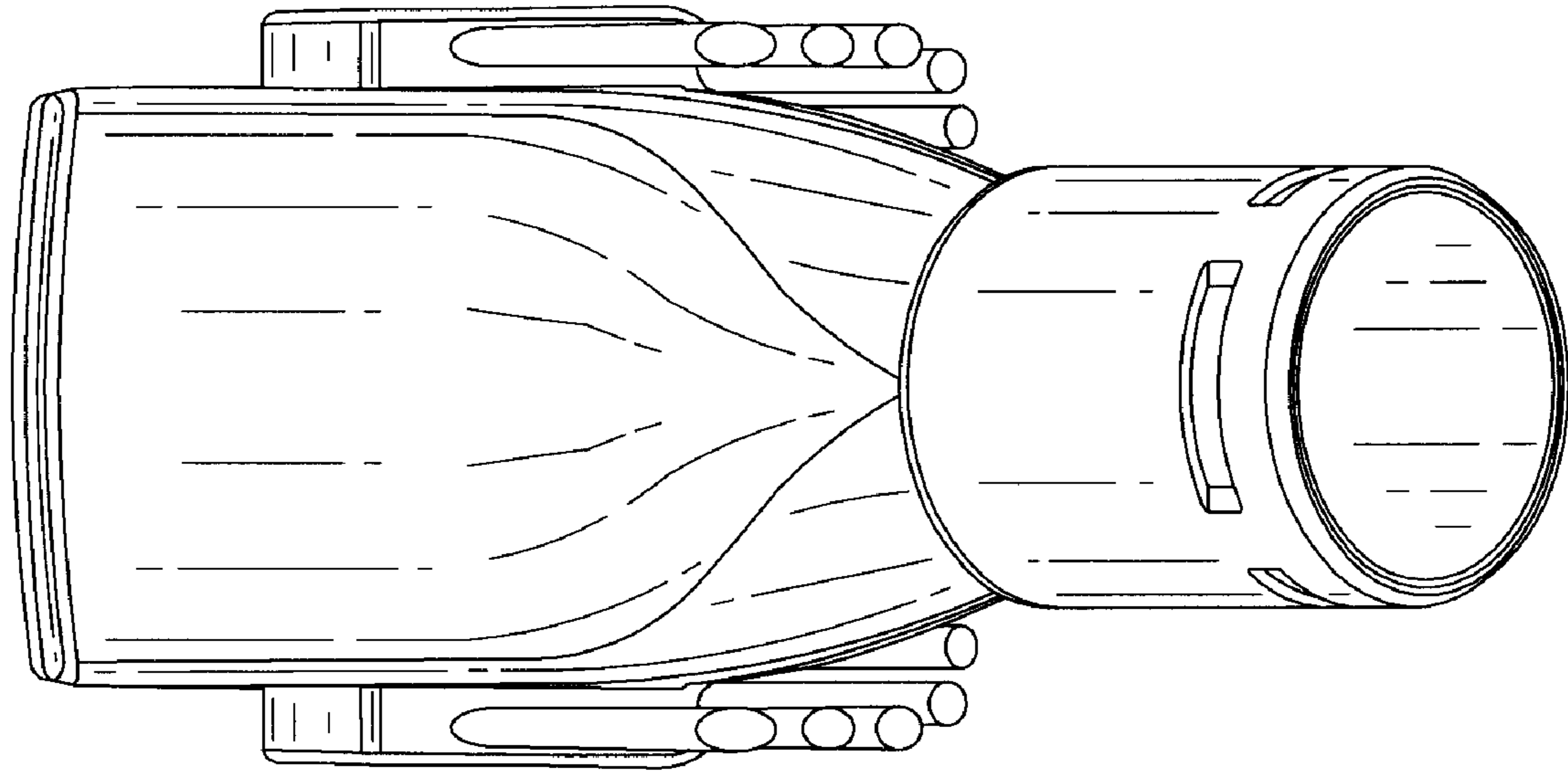


FIG. 13

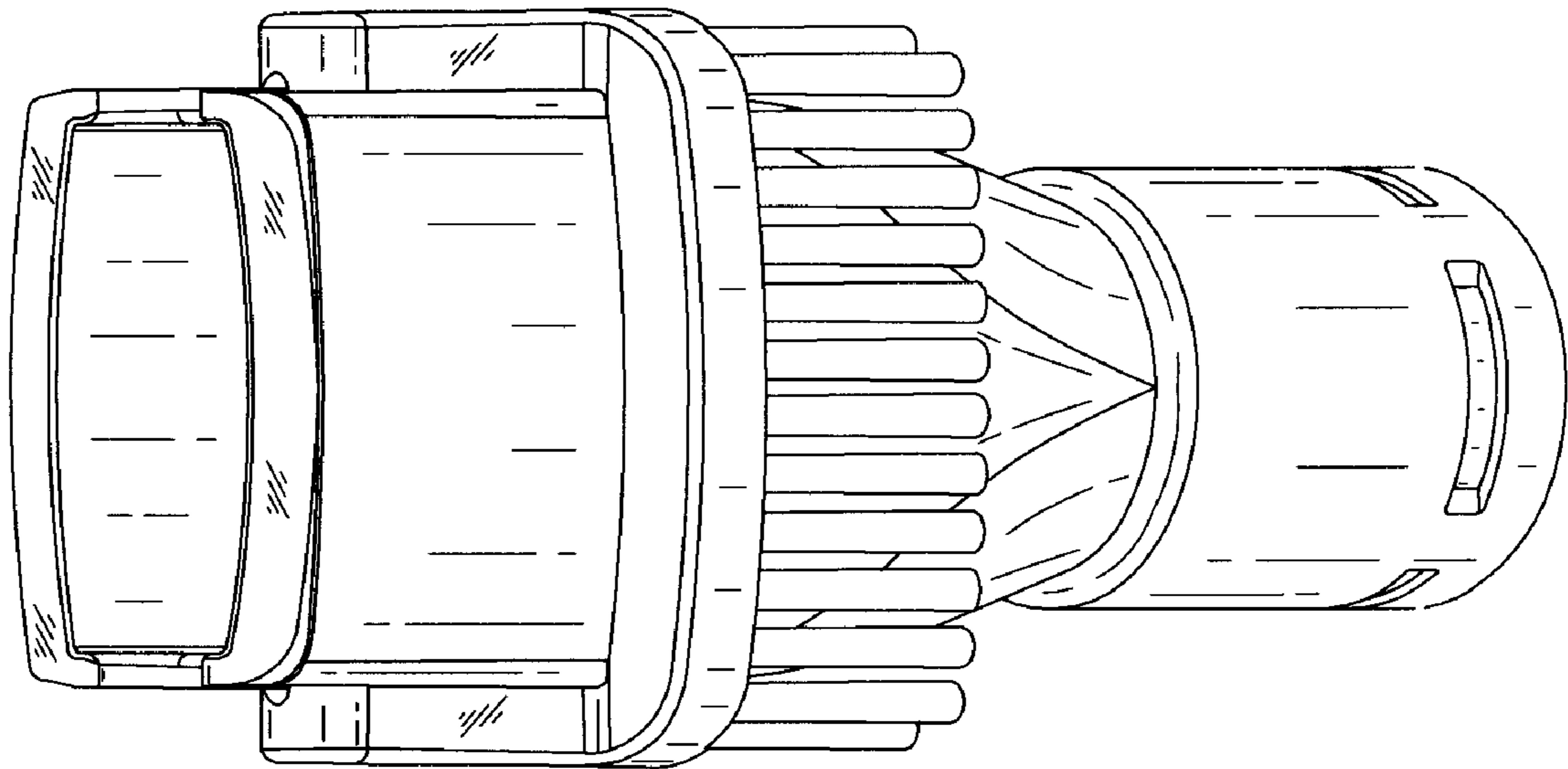


FIG. 14