



US00D621565S

(12) **United States Design Patent**
Pierce

(10) **Patent No.:** **US D621,565 S**

(45) **Date of Patent:** **** Aug. 10, 2010**

(54) **CLEANING HEAD**

(76) Inventor: **Martin Pierce**, 7888 S. Logan Way,
Littleton, CO (US) 80122

(**) Term: **14 Years**

(21) Appl. No.: **29/340,786**

(22) Filed: **Jul. 24, 2009**

(51) **LOC (9) Cl.** **15-05**

(52) **U.S. Cl.** **D32/32**

(58) **Field of Classification Search** D32/31-34;
15/414-422.1, 236.04, 144.4, 144.3, 406,
15/104.05, 383, 377, 412, 400-402, 387,
15/322, 344, 401

See application file for complete search history.

(56) **References Cited**

U.S. PATENT DOCUMENTS

1,081,340	A	12/1913	Spangler	
1,104,613	A	7/1914	Bodey	
1,119,393	A	12/1914	Binkley	
1,180,679	A	4/1916	Thompson	
1,237,793	A	8/1917	Krantz	
1,348,585	A	8/1920	Rosenfield	
1,440,759	A	1/1923	Wright	
1,543,972	A	6/1925	Adams	
1,764,666	A	6/1930	White	
1,951,316	A *	3/1934	Allen	15/415.1
1,976,998	A	10/1934	Kirby	
2,027,544	A *	1/1936	Lofgren	15/420
2,184,401	A	12/1939	Sellers	
2,629,126	A *	2/1953	Brown, Jr.	15/402
D191,899	S *	12/1961	McKnight	D32/32
D215,875	S *	11/1969	Hoadley	D32/32
3,747,155	A	7/1973	Koellisch	
4,009,728	A	3/1977	Parise et al.	
4,075,733	A	2/1978	Parise et al.	
4,139,922	A	2/1979	Fitch	
4,197,764	A	4/1980	Auernhammer	
4,391,017	A	7/1983	Bruensicke	
4,505,040	A	3/1985	Everts	
4,704,758	A	11/1987	Hoffman	
5,060,343	A	10/1991	Nisenbaum	

5,109,568	A	5/1992	Rohn et al.	
5,113,547	A	5/1992	Mayhew	
5,125,130	A	6/1992	Stanish	
5,184,371	A	2/1993	Rands	
5,184,372	A *	2/1993	Mache	15/401
D347,504	S *	5/1994	Furcron et al.	D32/33
5,555,599	A	9/1996	Markley	
5,623,743	A	4/1997	Burgoon et al.	
D391,704	S	3/1998	Facer	
6,125,502	A	10/2000	Hammeken et al.	
6,131,240	A	10/2000	Shark et al.	

(Continued)

FOREIGN PATENT DOCUMENTS

GB 927750 6/1963

OTHER PUBLICATIONS

Commodore 20, Windsor Industries, Mar. 5, 2008, 2 pages, no pictures.

(Continued)

Primary Examiner—Ruth McInroy
(74) *Attorney, Agent, or Firm*—Sheridan Ross P.C.

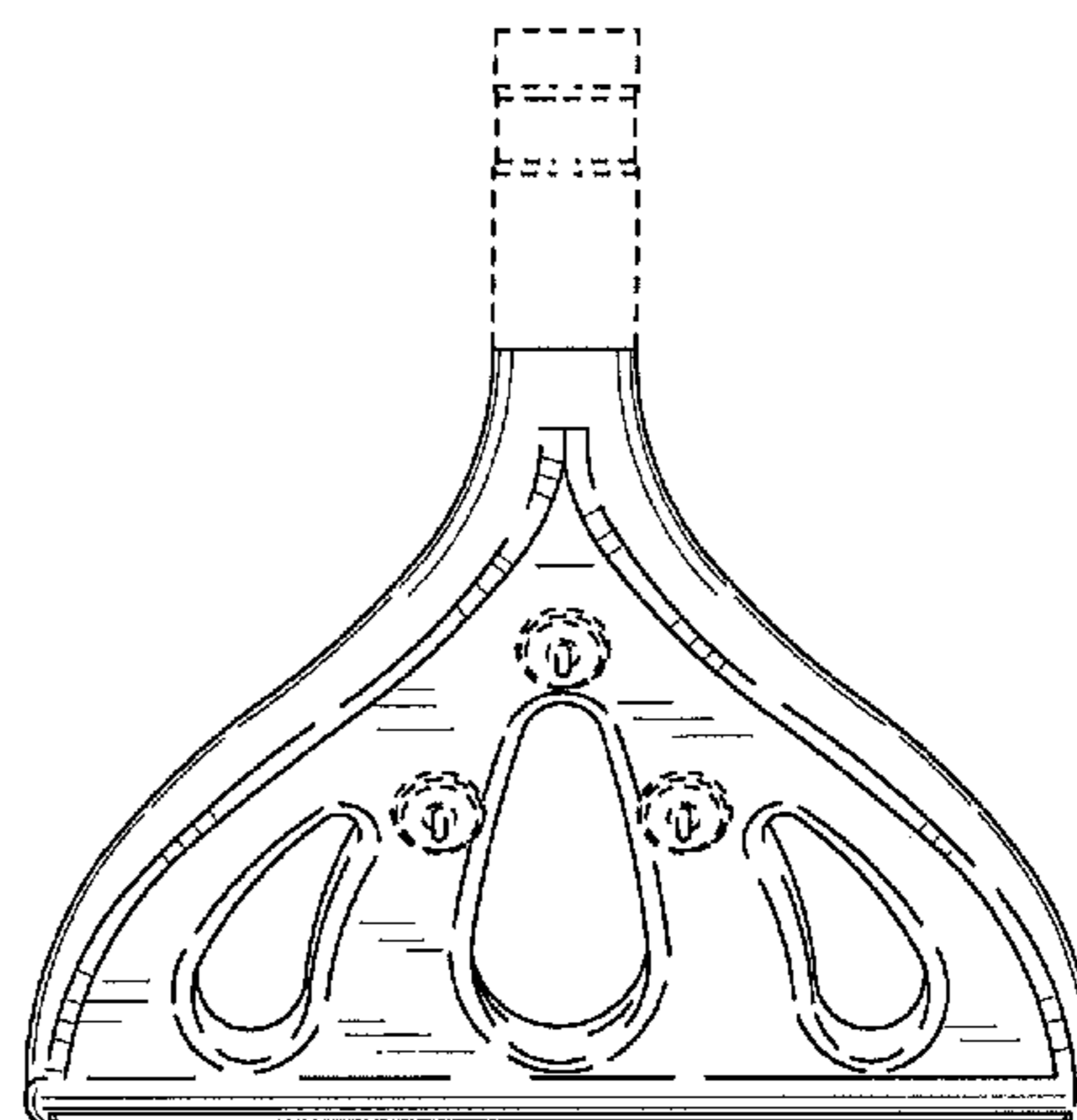
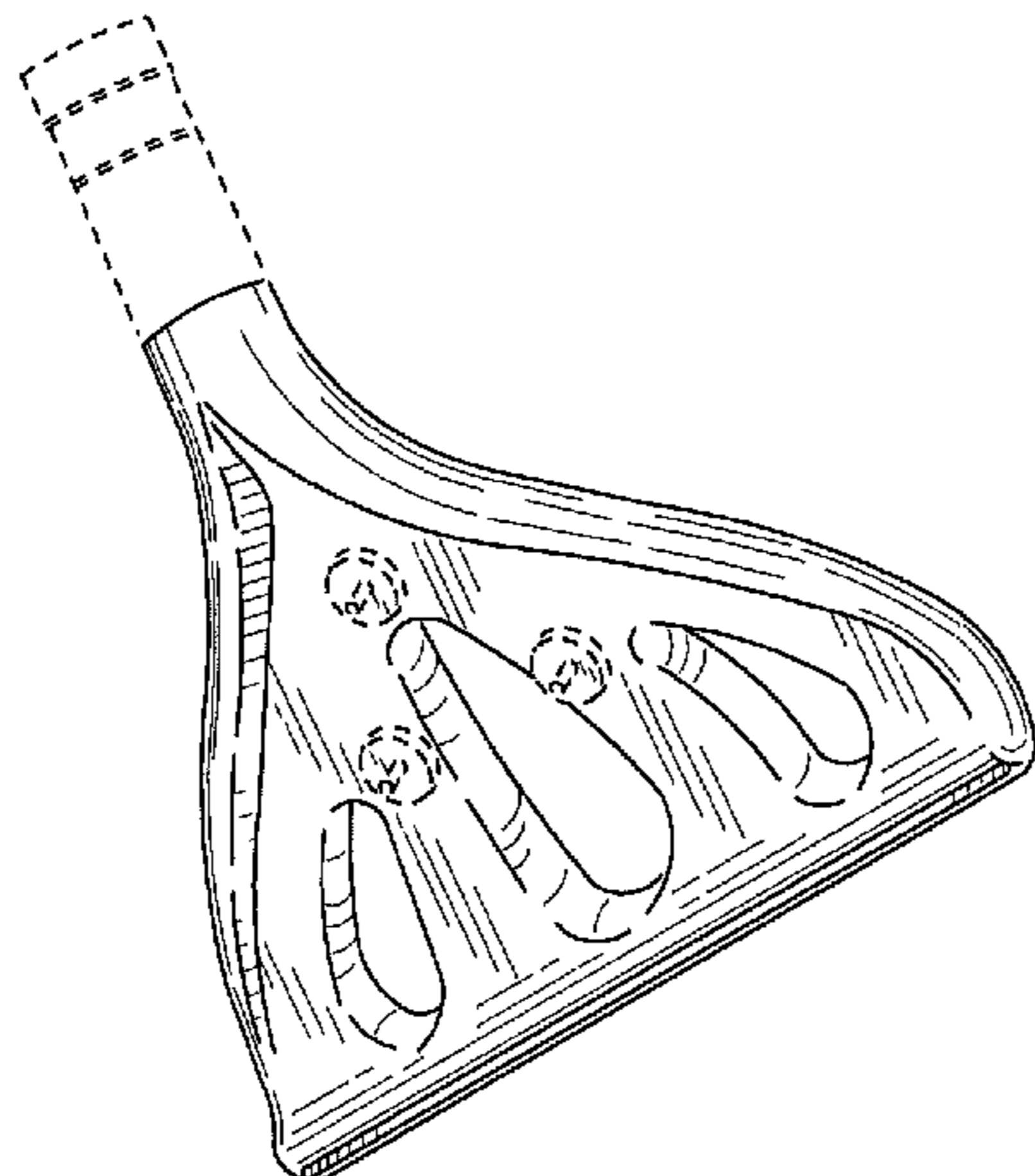
(57) **CLAIM**

The ornamental design for a cleaning head, as shown and described.

DESCRIPTION

FIG. 1 is a bottom perspective view of a cleaning head showing my new design;
FIG. 2 is a front elevation view thereof;
FIG. 3 is a bottom plan view thereof;
FIG. 4 is a left side elevation view thereof;
FIG. 5 is a right side elevation view thereof;
FIG. 6 is a rear elevation view thereof; and,
FIG. 7 is a top plan view thereof.

1 Claim, 2 Drawing Sheets



US D621,565 S

Page 2

U.S. PATENT DOCUMENTS

6,199,245 B1 3/2001 Blessing
6,209,925 B1 4/2001 Edin
6,263,539 B1 7/2001 Baig
6,266,892 B1 7/2001 Haynie
6,298,577 B1 10/2001 Haynie
6,453,506 B1 9/2002 Sumner
6,684,459 B2 2/2004 Dickhaus
6,742,222 B2 6/2004 Furr-Britt et al.
6,904,640 B2 6/2005 Jin et al.
D521,530 S 5/2006 Cohen
D538,986 S * 3/2007 Ingram D32/32

D566,357 S * 4/2008 Santiago D32/32
7,383,609 B2 6/2008 Ji
2006/0070265 A1 4/2006 Cohen
2009/0193615 A1 * 8/2009 Nguyen 15/415.1
2009/0320234 A1 * 12/2009 Stoy et al. 15/415.1
2010/0037425 A1 * 2/2010 Genn 15/414

OTHER PUBLICATIONS

The Green Team, Solus 500, U.S. Products, CM/Cleaning & Maintenance Management, Jun. 2008, p. 27.
U.S. Appl. No. 29/340,758, filed Jul. 24, 2009, Pedlar.

* cited by examiner

Fig. 1

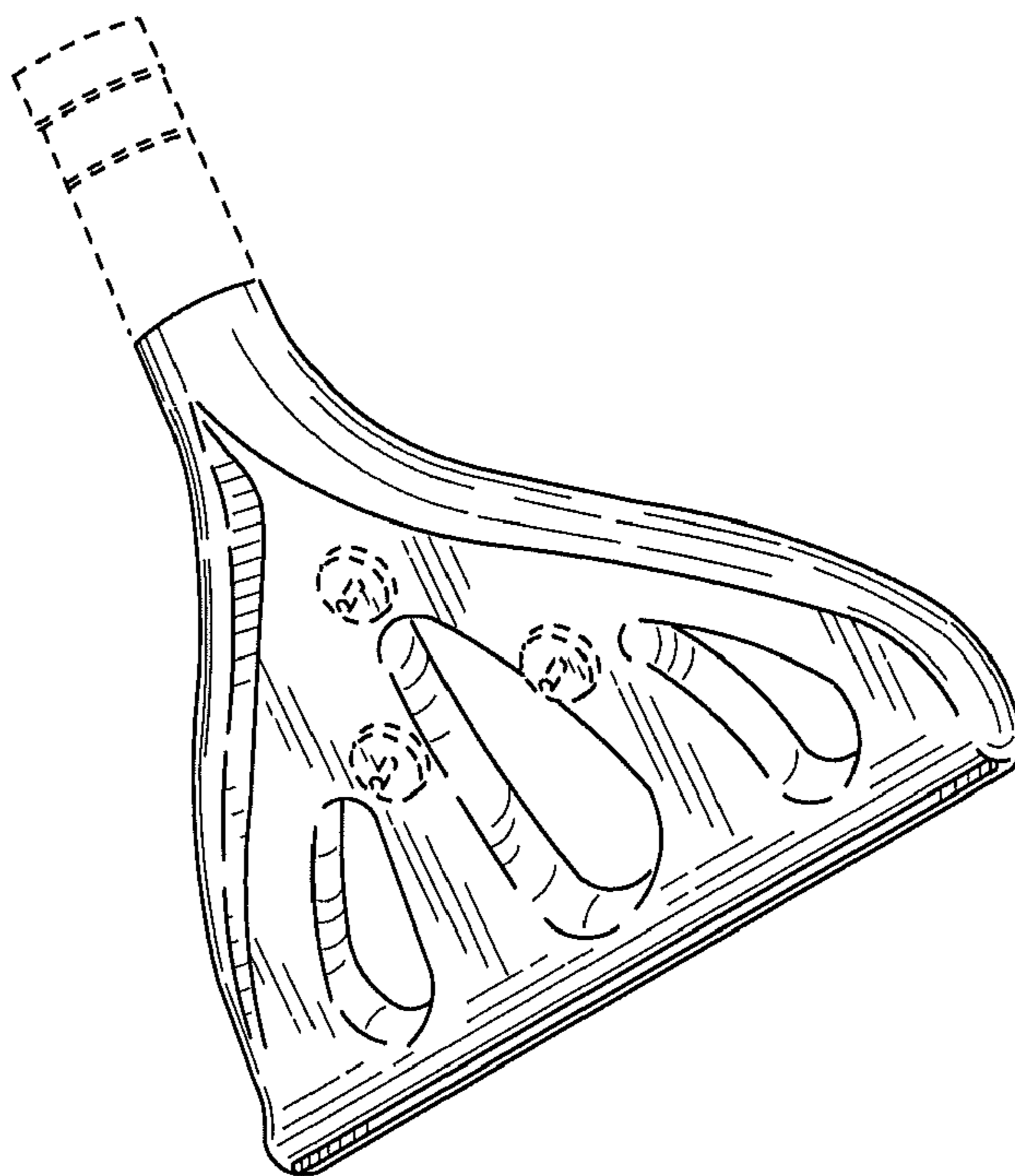


Fig. 2

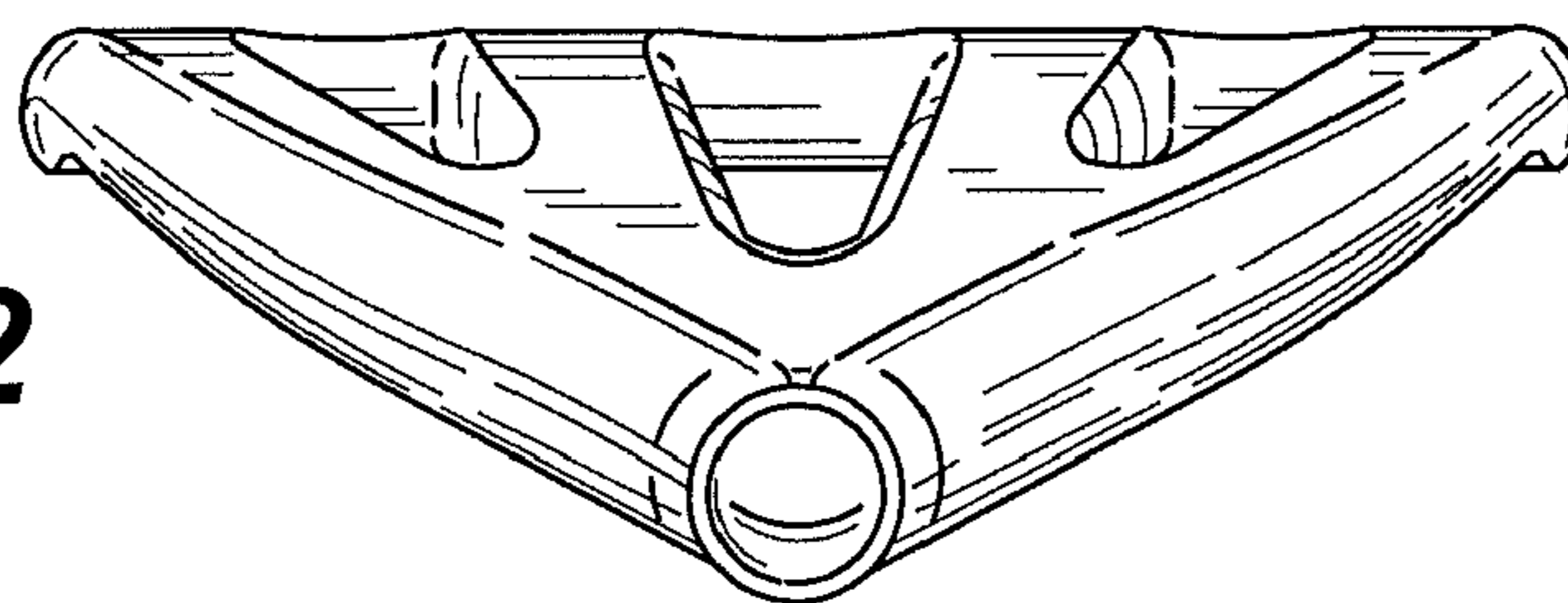


Fig. 3

