



US00D621564S

(12) **United States Design Patent**
Kaffenberger

(10) **Patent No.:** **US D621,564 S**

(45) **Date of Patent:** **** Aug. 10, 2010**

(54) **VACUUM CLEANER HEAD**

(75) Inventor: **Dieter Kaffenberger**, Wiehl (DE)

(73) Assignee: **Wessel-Werk GmbH**,
Reichshof-Wildbergerhuette (DE)

(**) Term: **14 Years**

(21) Appl. No.: **29/315,206**

(22) Filed: **Jun. 5, 2009**

(30) **Foreign Application Priority Data**

Feb. 3, 2009 (EM) 001 081 574-0001

(51) **LOC (9) Cl.** **15-05**

(52) **U.S. Cl.** **D32/32**

(58) **Field of Classification Search** D32/22,
D32/31-33, 50-51, 38-39; 15/329, 350-351,
15/361-362, 400, 410, 412, 414, 415.1-422,
15/327.1-327.7, 340.2, 383, 1.51, 42, 41.1,
15/398, 363, 377

See application file for complete search history.

(56) **References Cited**

U.S. PATENT DOCUMENTS

D376,879 S * 12/1996 Selewski et al. D32/32
D416,115 S * 11/1999 Rohn et al. D32/32
D440,019 S * 4/2001 Mehaffey et al. D32/32
6,779,229 B2 * 8/2004 Lee et al. 15/329
D499,518 S * 12/2004 Downey et al. D32/32

D524,498 S * 7/2006 Luebbering et al. D32/32

D536,495 S * 2/2007 Porter et al. D32/32

D537,220 S * 2/2007 Porter et al. D32/32

D556,964 S * 12/2007 Song et al. D32/32

D566,355 S * 4/2008 Paredes et al. D32/32

D594,612 S * 6/2009 Umeda D32/32

2008/0282498 A1 * 11/2008 Luciano et al. 15/383

2008/0313846 A1 * 12/2008 Steffen et al. 15/339

* cited by examiner

Primary Examiner—Ruth McInroy

(74) *Attorney, Agent, or Firm*—Collard & Roe, P.C.

(57) **CLAIM**

The ornamental design for a vacuum cleaner head, as shown and described.

DESCRIPTION

FIG. 1 shows a top, front and right side perspective view of a vacuum cleaner head, showing my new design;

FIG. 2 shows a front view thereof;

FIG. 3 shows a rear view thereof;

FIG. 4 shows a top view thereof;

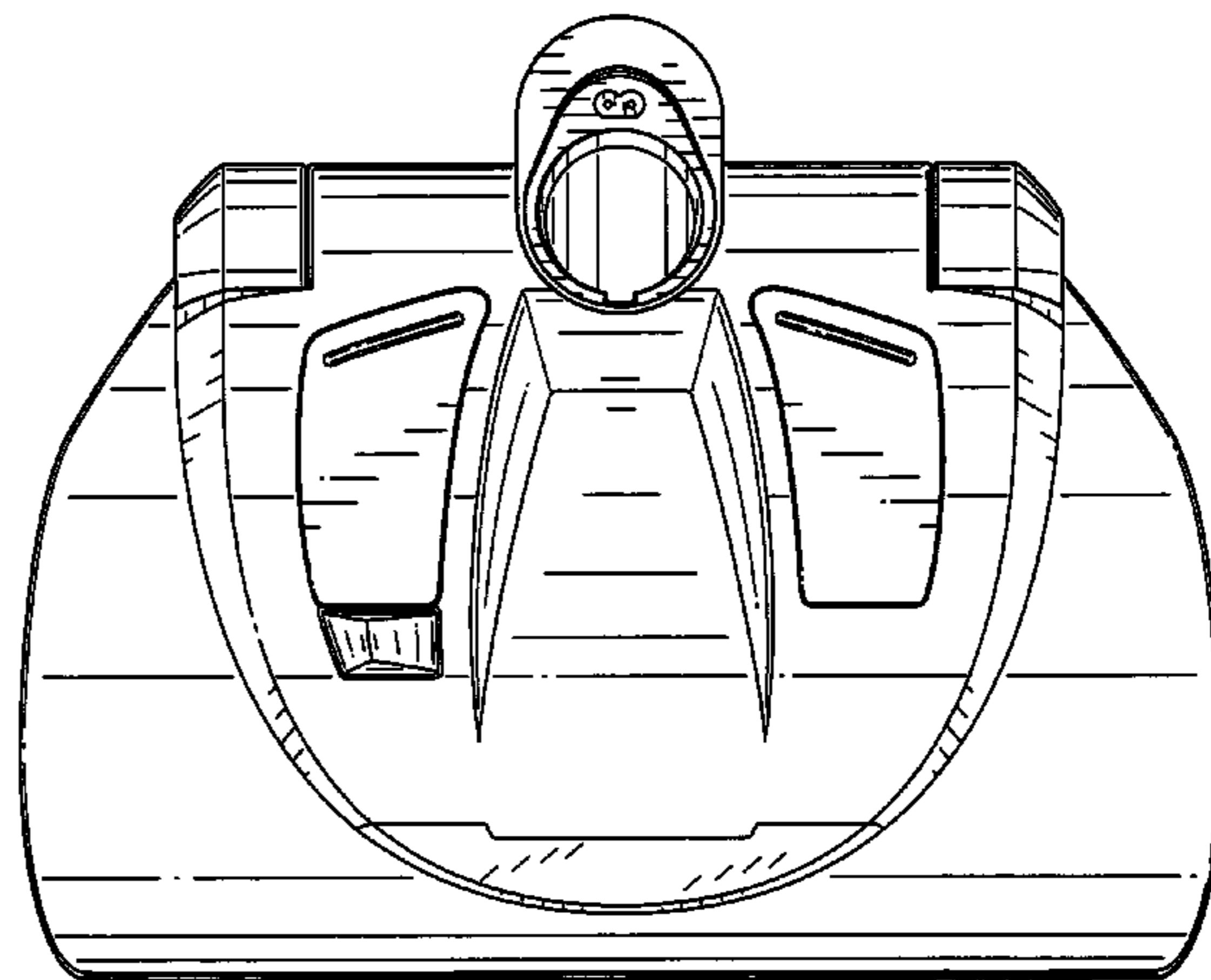
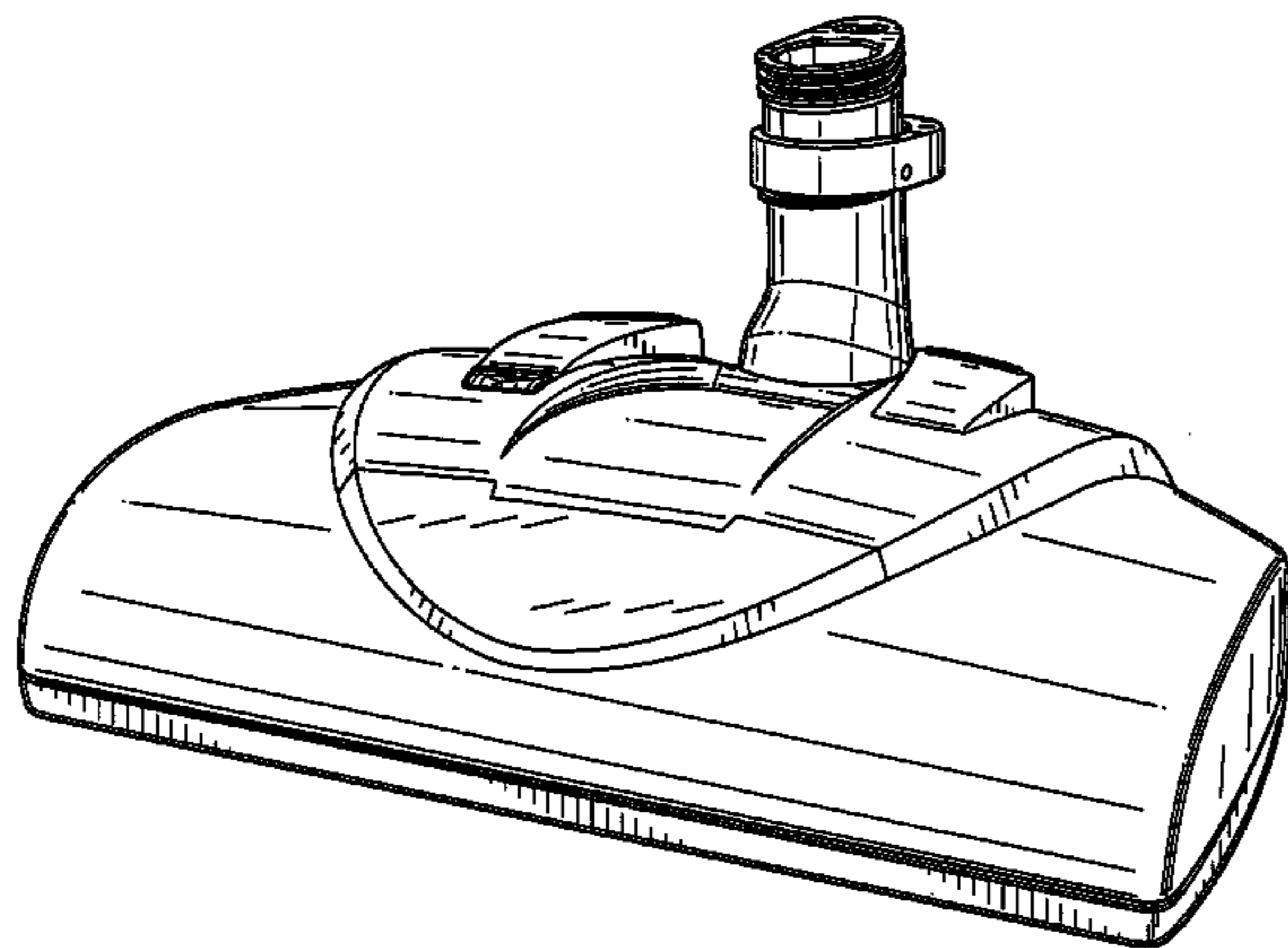
FIG. 5 shows a right side view thereof;

FIG. 6 shows a left side view thereof; and,

FIG. 7 shows a bottom view thereof.

The areas shown in broken lines form no part of the claimed design.

1 Claim, 5 Drawing Sheets



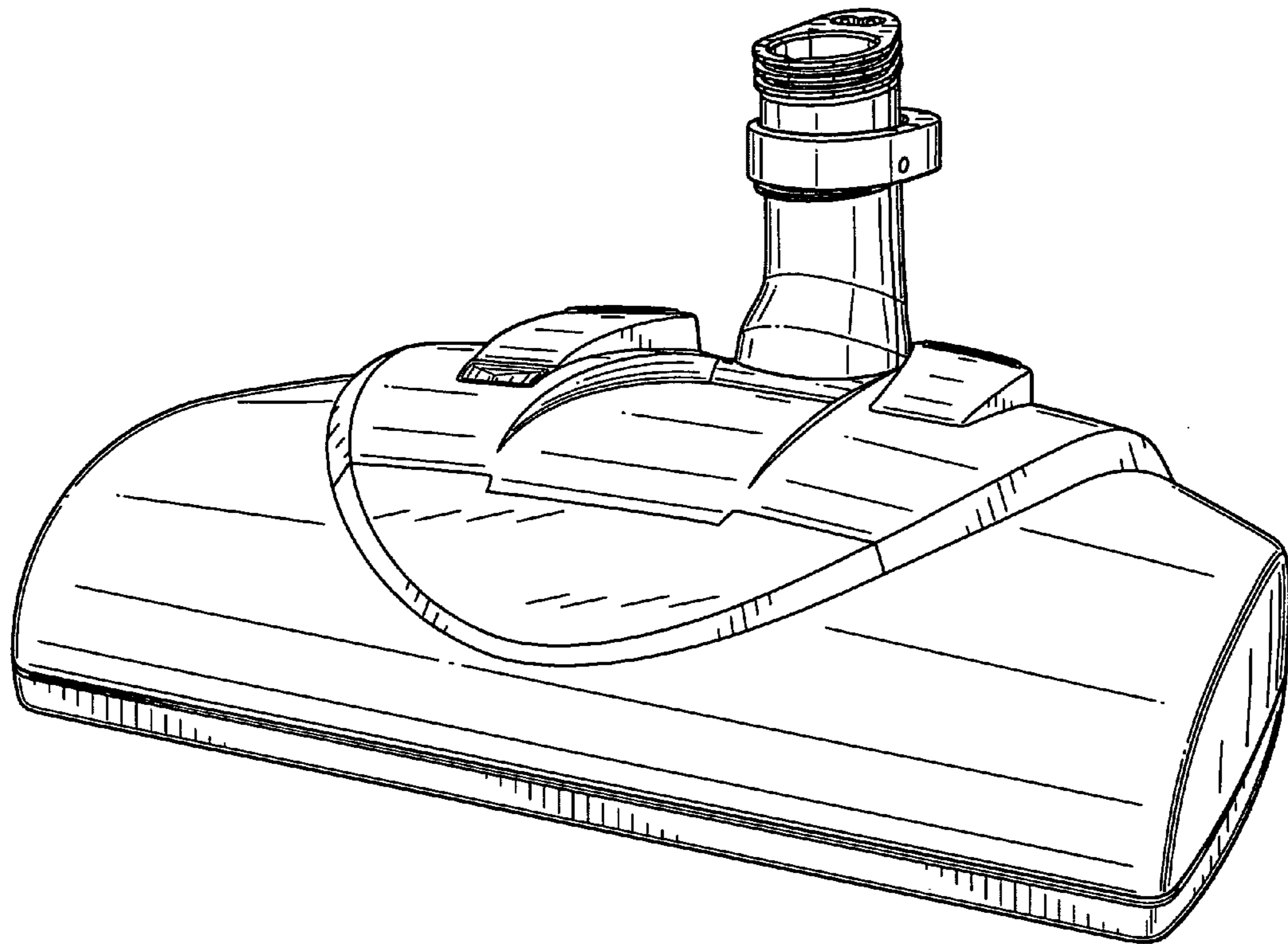


FIG. 1

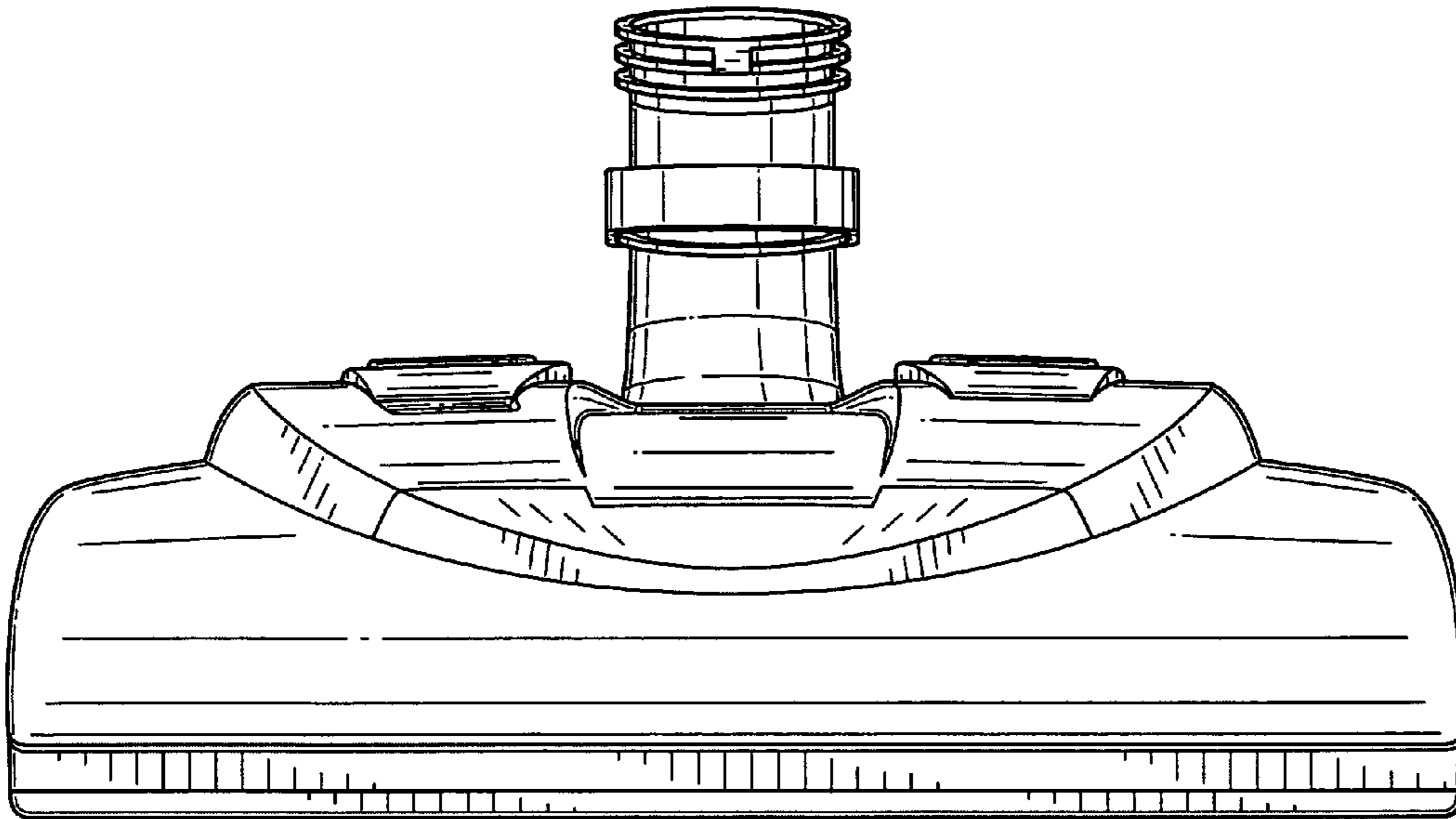


FIG. 2

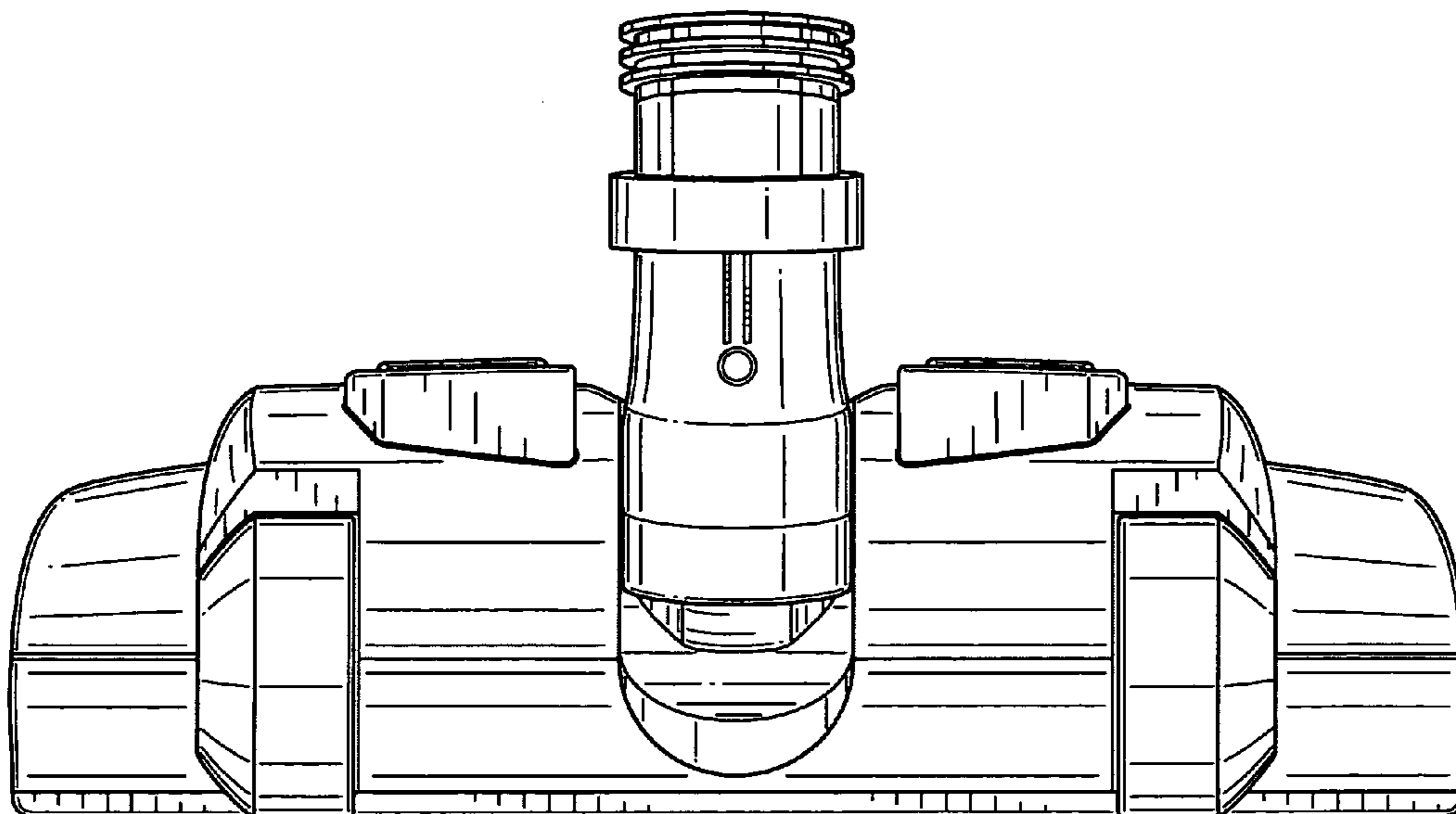


FIG. 3

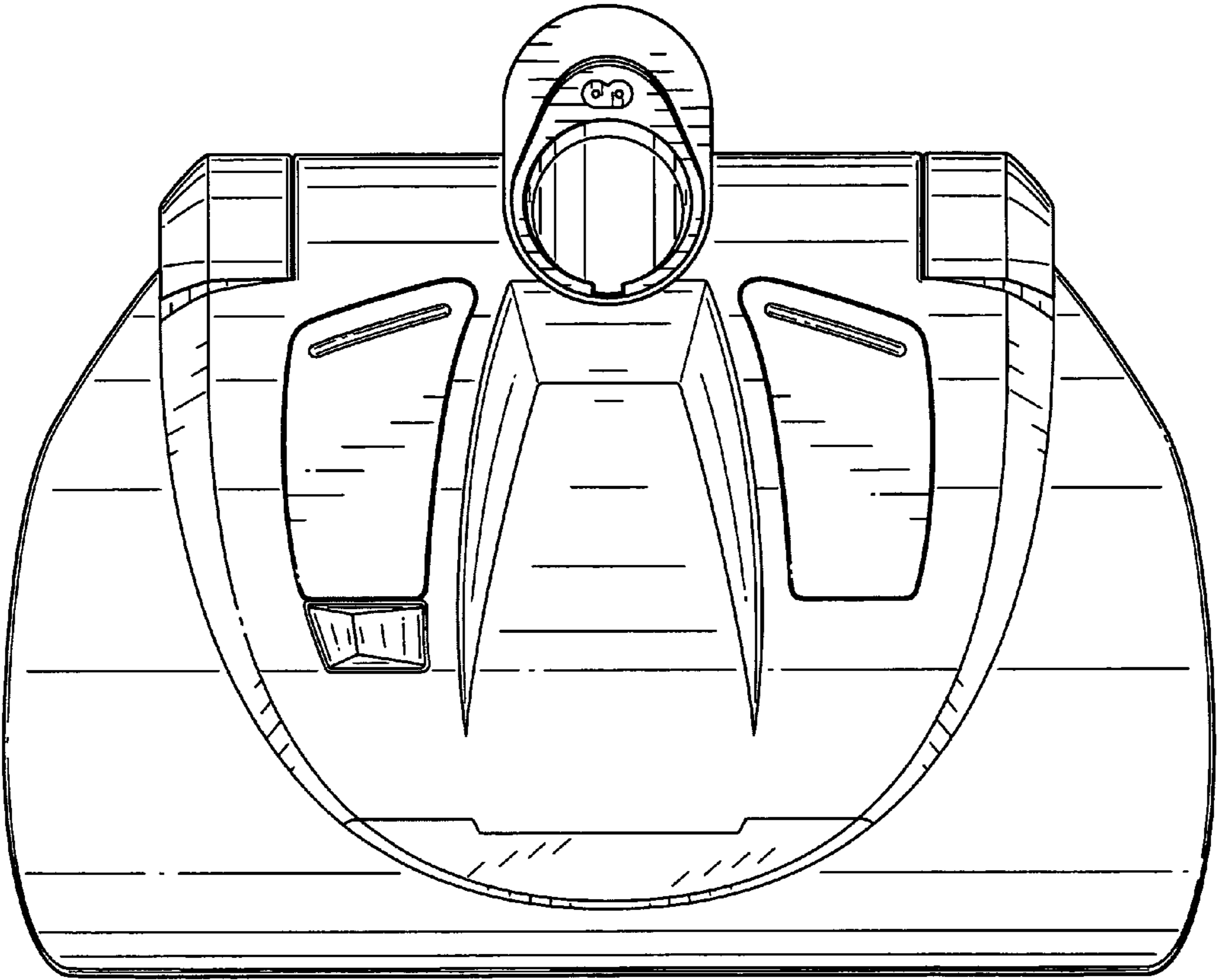


FIG. 4

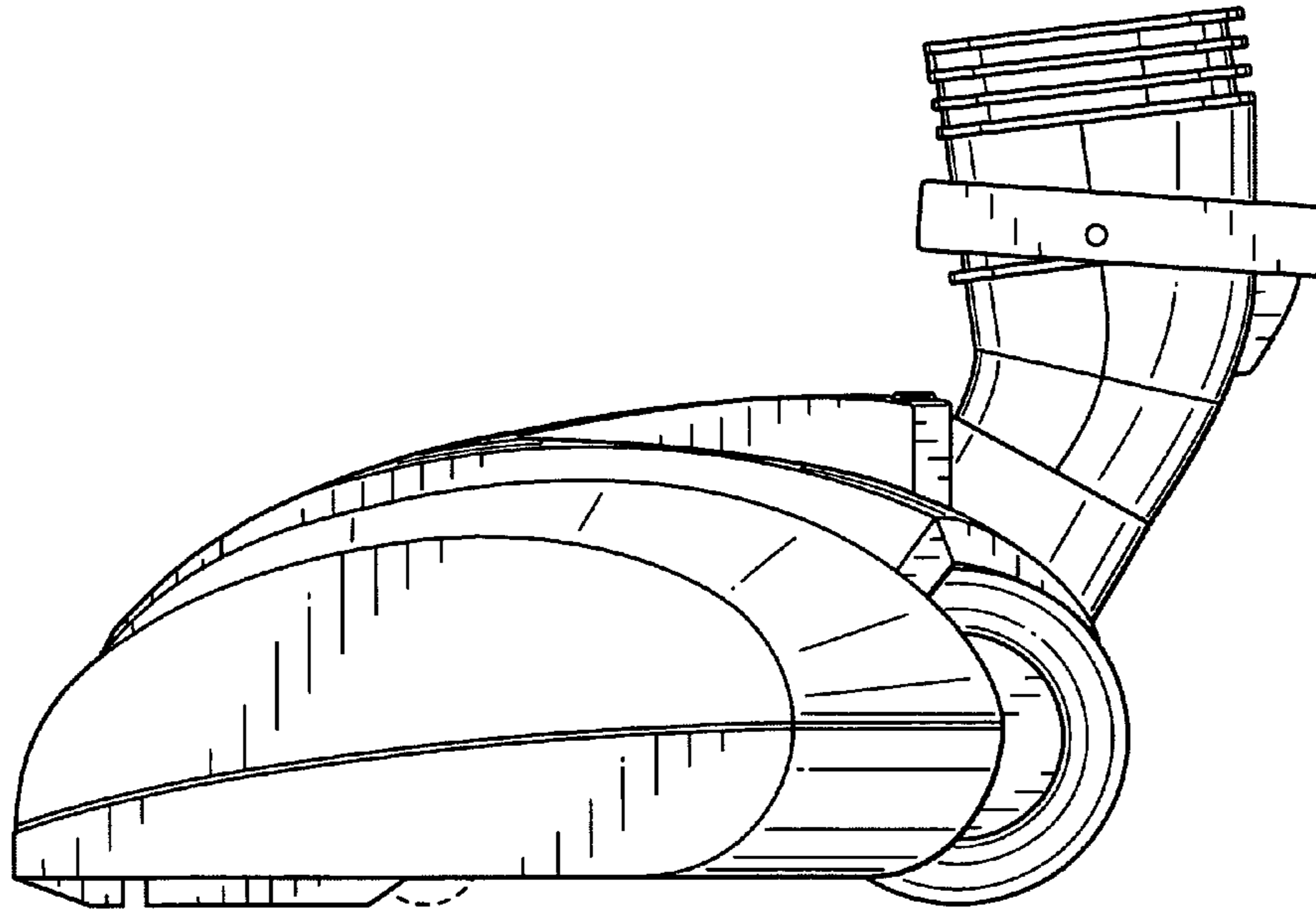


FIG. 5

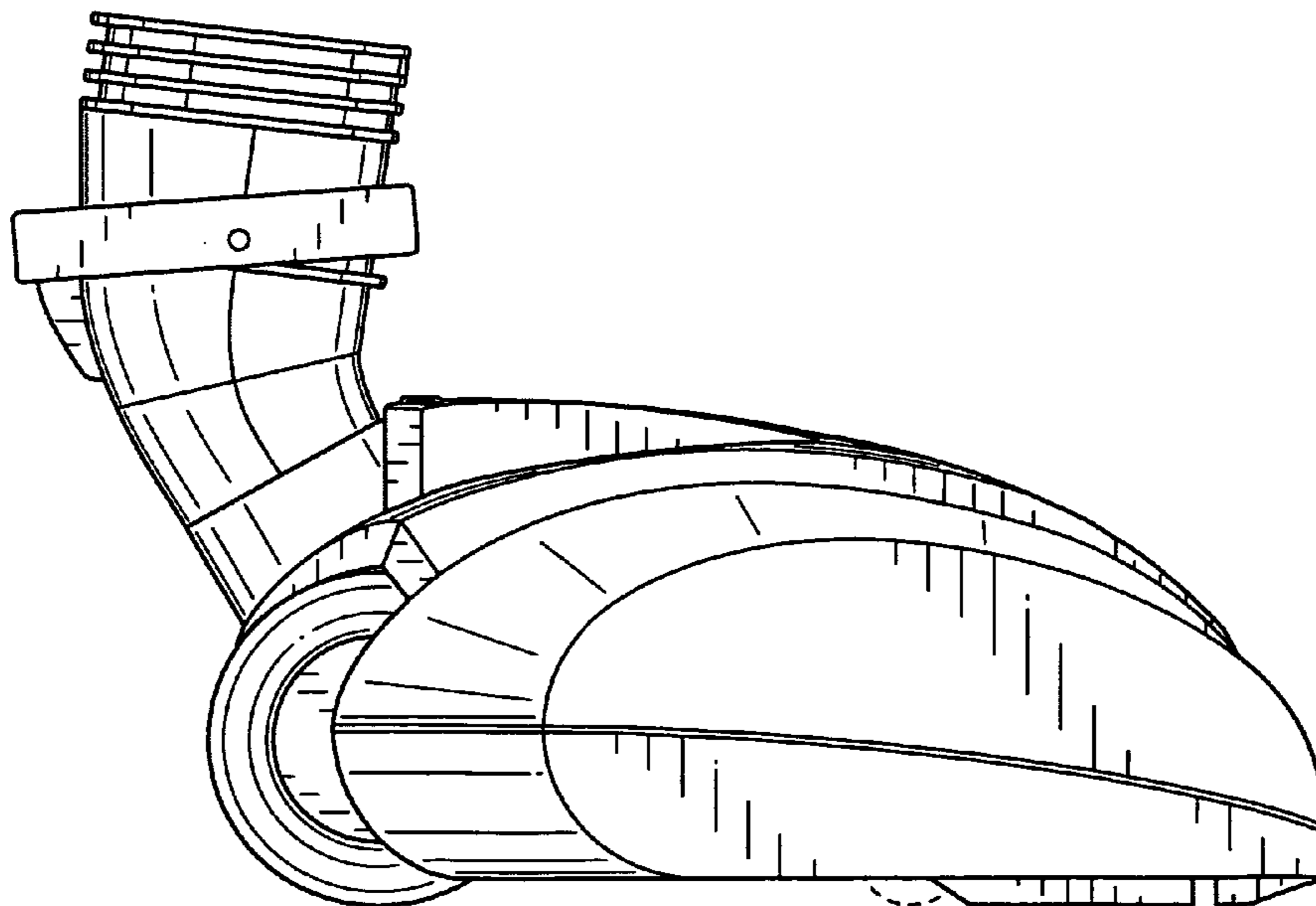


FIG. 6

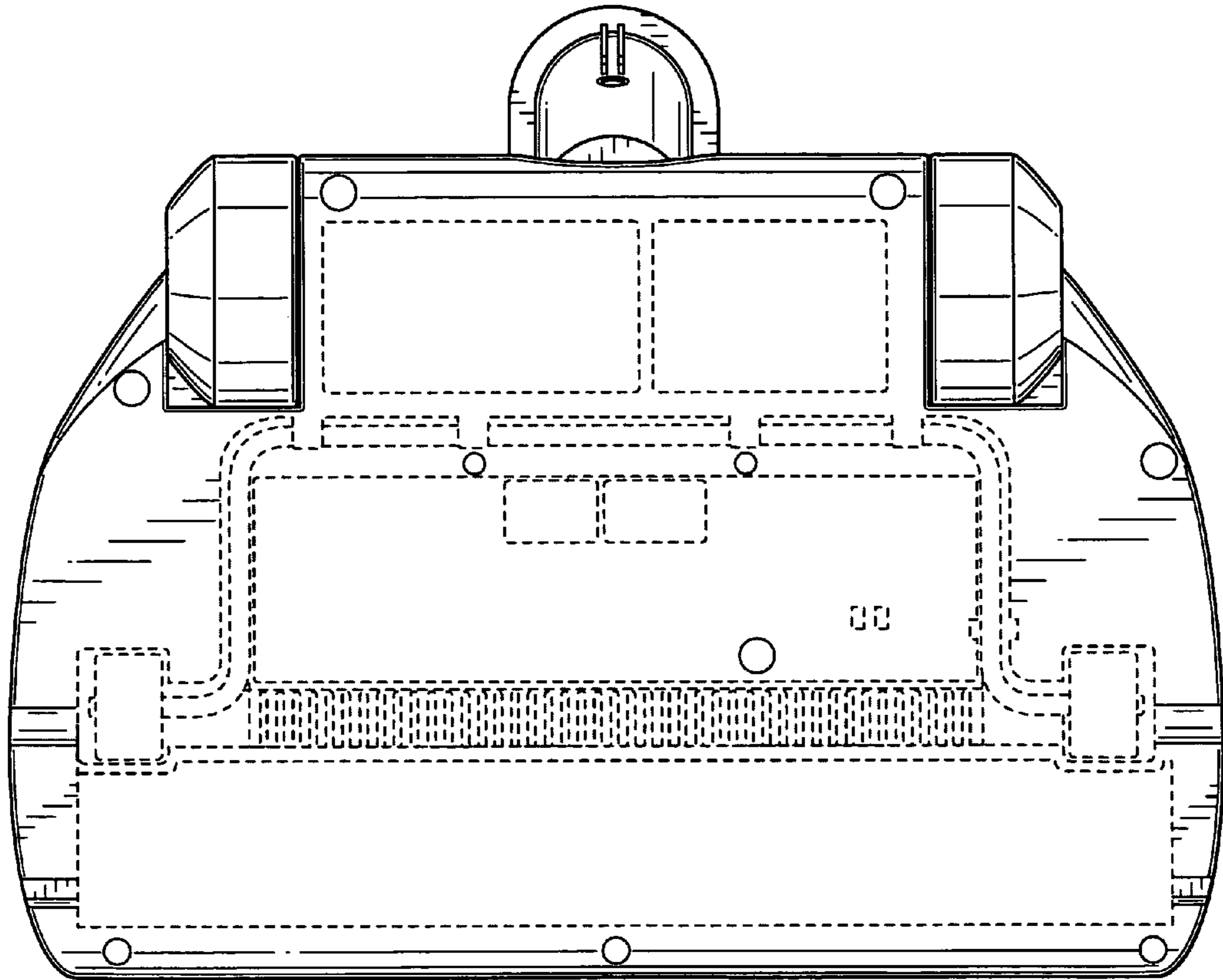


FIG. 7