



US00D621560S

(12) **United States Design Patent**
McMurphy

(10) **Patent No.:** **US D621,560 S**

(45) **Date of Patent:** **** Aug. 10, 2010**

(54) **PET BOWL**

(76) **Inventor:** **John McMurphy**, 46579 County Rd.,
Otis, CO (US) 80743

(**) **Term:** **14 Years**

(21) **Appl. No.:** **29/340,775**

(22) **Filed:** **Jul. 24, 2009**

(51) **LOC (9) Cl.** **30-03**

(52) **U.S. Cl.** **D30/133; D30/131; D30/130**

(58) **Field of Classification Search** **D30/133,**
D30/121, 128, 130, 132; 119/52.1, 55, 61.5-61.56;
D6/480-485; 248/188; 312/204; 108/153.1-157
See application file for complete search history.

(56) **References Cited**

U.S. PATENT DOCUMENTS

| | | | |
|---------------|---------|------------------|-----------|
| D96,552 S | 8/1935 | Houghton, Jr. | |
| D232,564 S | 8/1974 | Kissin | |
| 4,357,905 A * | 11/1982 | Carpenter | 119/61.53 |
| 4,532,891 A * | 8/1985 | Jones | 119/61.54 |
| D312,896 S * | 12/1990 | Goetz | D30/130 |
| 5,152,247 A * | 10/1992 | Brown | 119/464 |
| 5,174,245 A * | 12/1992 | Bishop | 119/73 |
| D346,465 S | 4/1994 | Russell et al. | |
| D352,516 S | 11/1994 | Newman et al. | |
| 5,488,927 A | 2/1996 | Lorenzana et al. | |
| 5,509,376 A * | 4/1996 | Tsengas | 119/51.5 |
| 5,526,773 A | 6/1996 | Richardson | |
| 5,577,461 A | 11/1996 | Sebastian et al. | |
| D393,107 S * | 3/1998 | Tsengas | D30/121 |
| 5,752,464 A * | 5/1998 | King et al. | 119/63 |
| 5,884,580 A | 3/1999 | Faircloth, Jr. | |
| 6,145,474 A * | 11/2000 | Lemkin | 119/61.5 |
| D449,137 S | 10/2001 | Newman | |
| D467,045 S * | 12/2002 | Tsengas | D30/130 |
| D514,373 S | 2/2006 | Vendl et al. | |

| | | | |
|-----------------|---------|---------------|---------|
| 7,073,461 B2 | 7/2006 | Gonet | |
| 7,296,539 B2 | 11/2007 | Iljas | |
| D579,724 S | 11/2008 | McMurphy | |
| D592,814 S * | 5/2009 | Uffner et al. | D30/133 |
| 2006/0196436 A1 | 9/2006 | Nichols | |

OTHER PUBLICATIONS

Notice of Allowance for U.S. Appl. No. 29/280,558, mailed Jul. 24, 2008.

“Designer Edition: Travel Bowls, Waterers, Food & Treat Bags”, The Kyjen Company website, as early as Oct. 28, 2007, available at <http://www.kyjen.com/pettravelgear/?page=pt-de-bowls>, printed on Jul. 2, 2008, pp. 1-6.

“Spill-less Bowl”, Care-A-Lot Pet Supply website, as early as Oct. 20, 2006, available at <http://www.carealotpets.com/item-detail/?ItemID=1104B>, printed on Jul. 2, 2008, p. 1.

* cited by examiner

Primary Examiner—Susan Moon Lee

(74) *Attorney, Agent, or Firm*—Sheridan Ross P.C.

(57) **CLAIM**

The ornamental design for a pet bowl, as shown and described.

DESCRIPTION

FIG. 1 is a perspective view of the pet bowl;

FIG. 2 is a bottom plan view thereof;

FIG. 3 is a top plan view thereof;

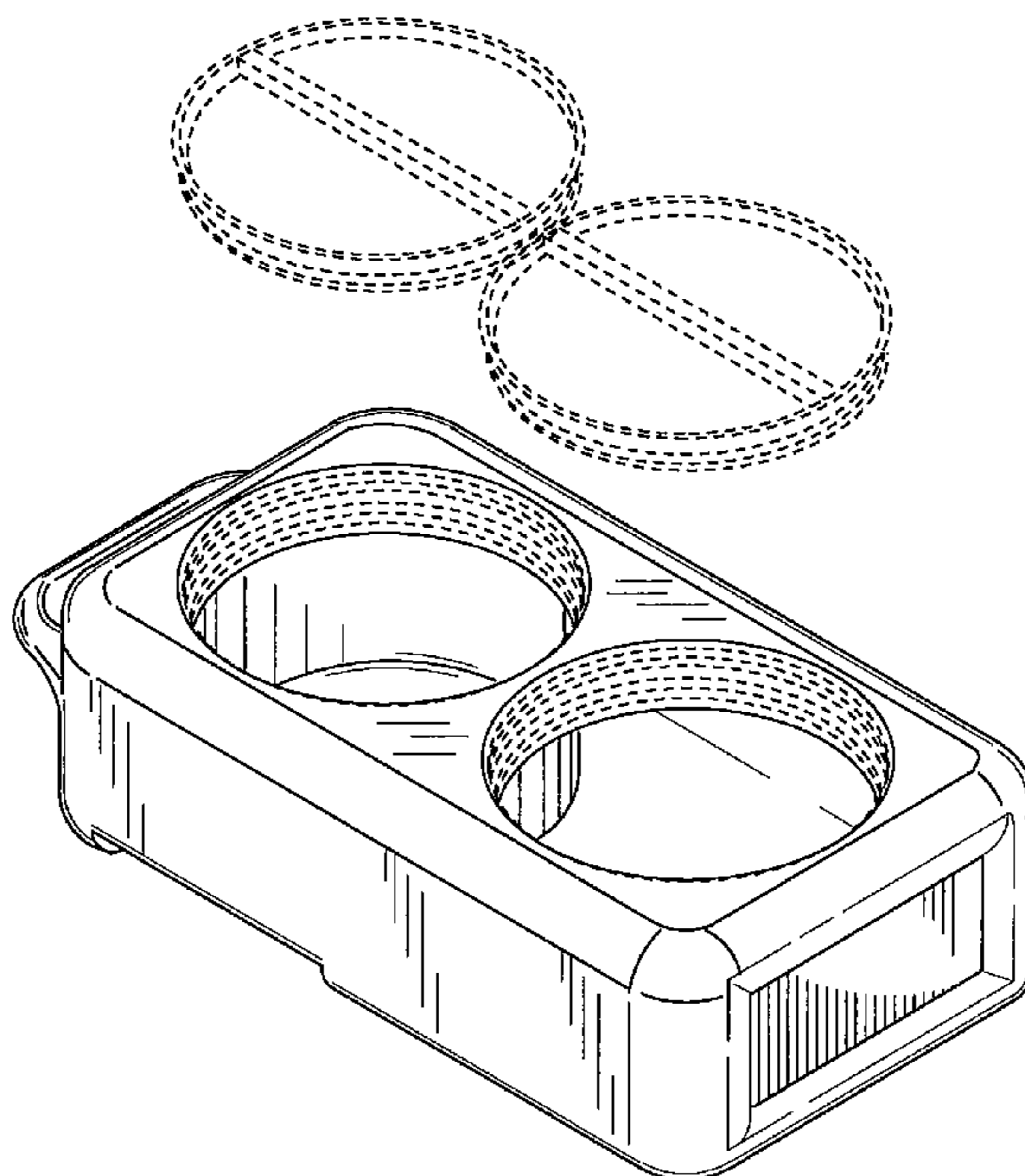
FIG. 4 is a front elevation view thereof;

FIG. 5 is a right elevation view thereof, the left elevation being a mirror image thereof; and,

FIG. 6 is a rear elevation view thereof.

The broken line showing is of environment and comprises no part of the claimed design.

1 Claim, 3 Drawing Sheets



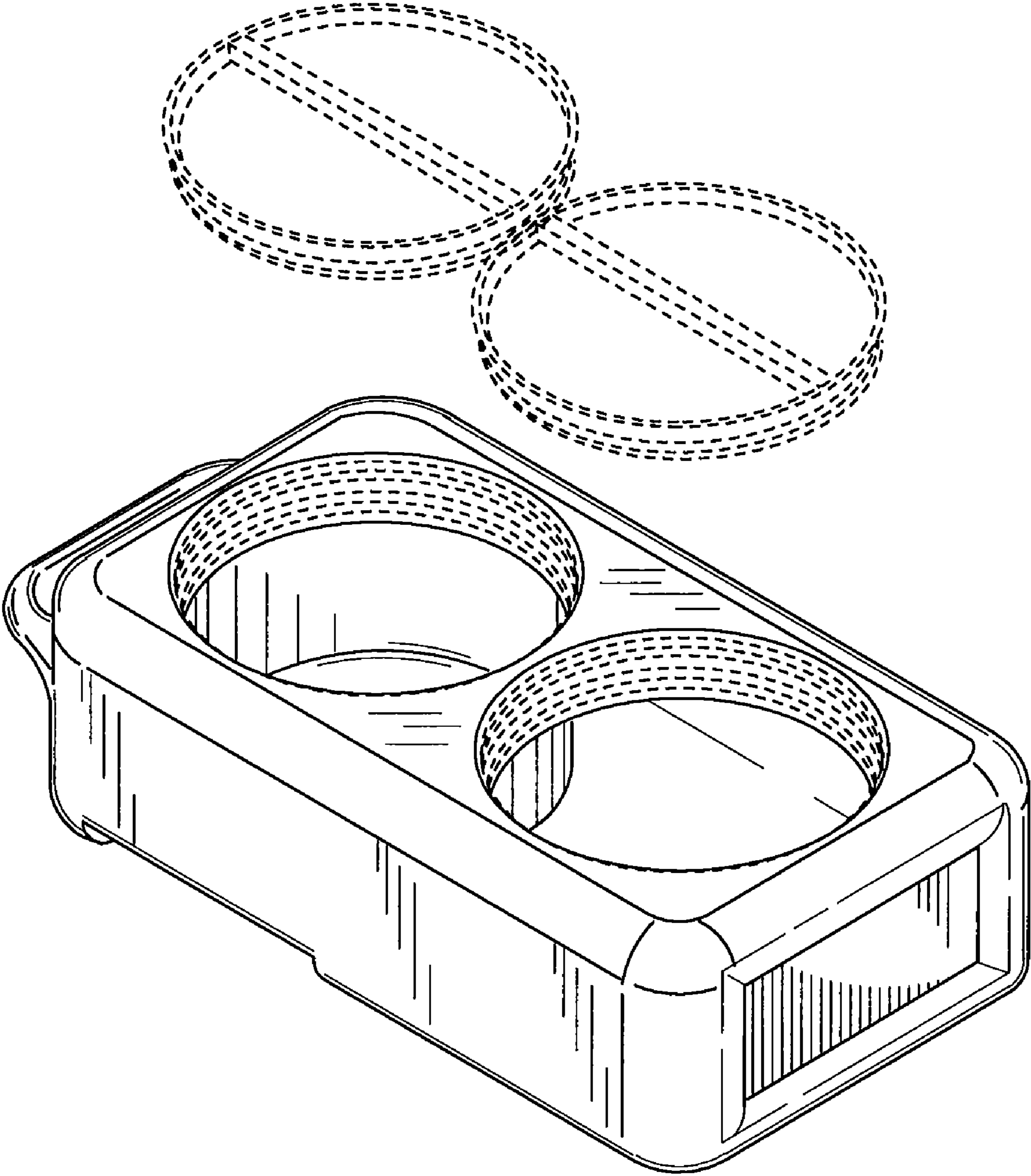


Fig. 1

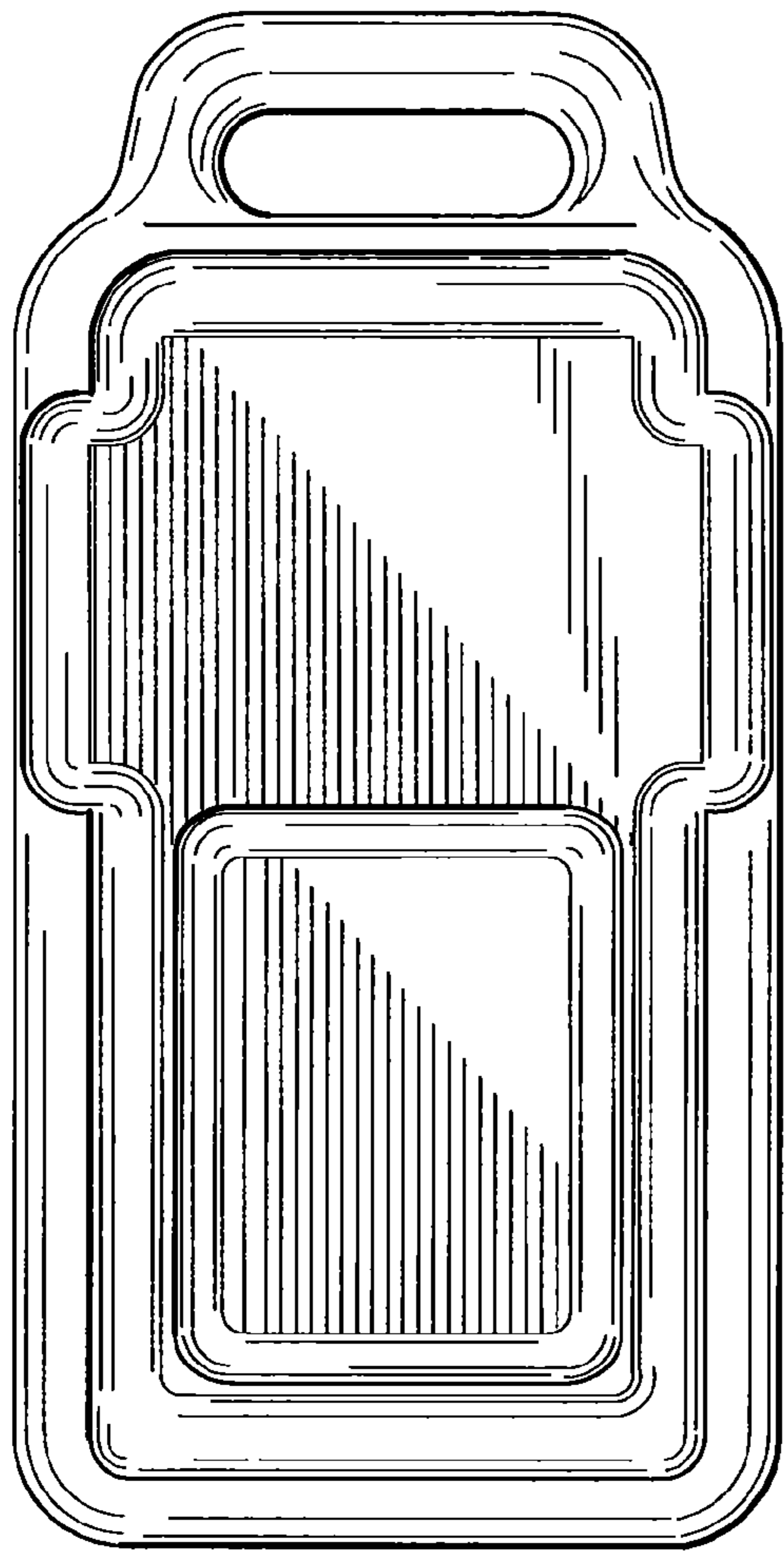


Fig. 2

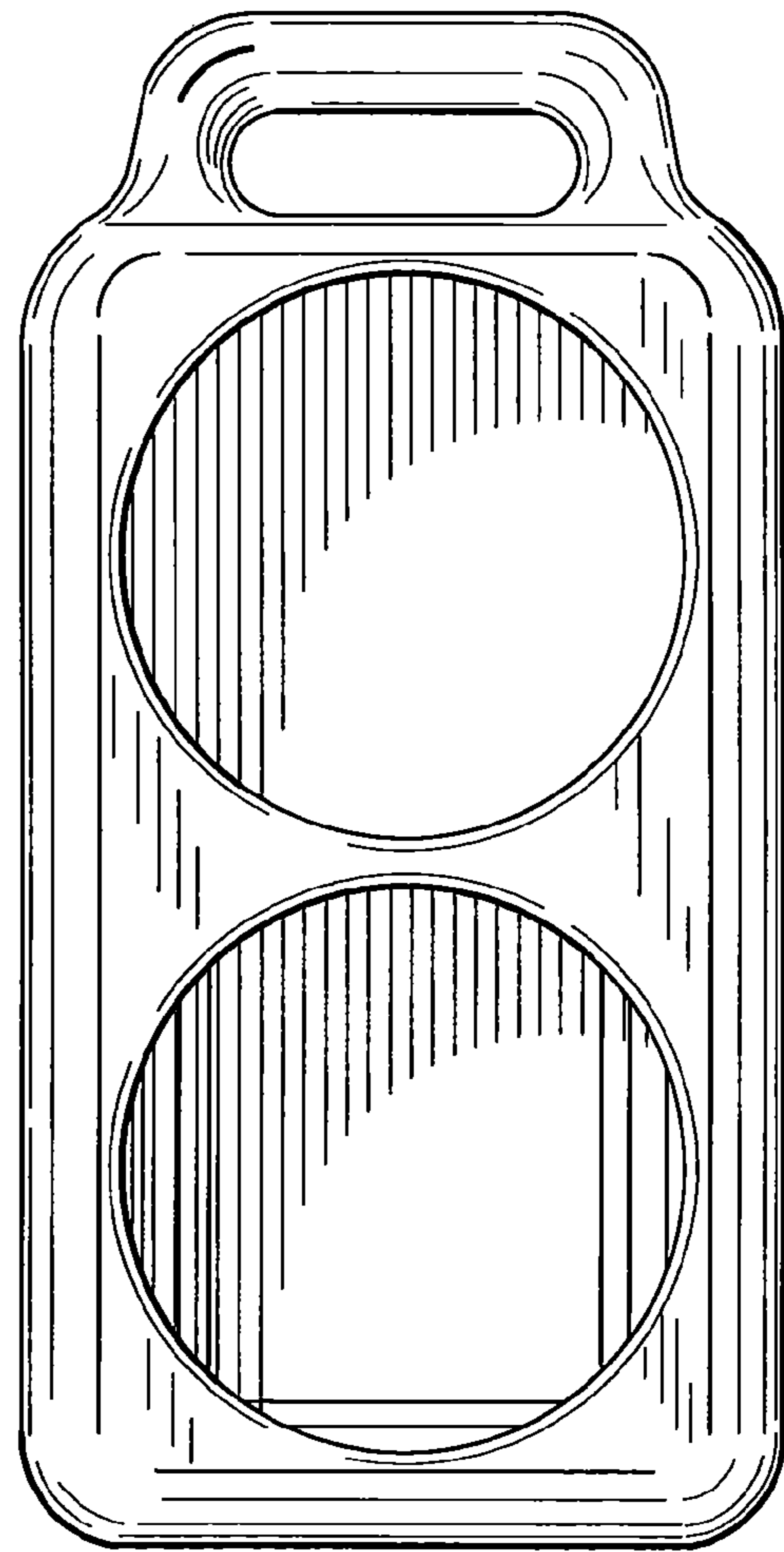


Fig. 3

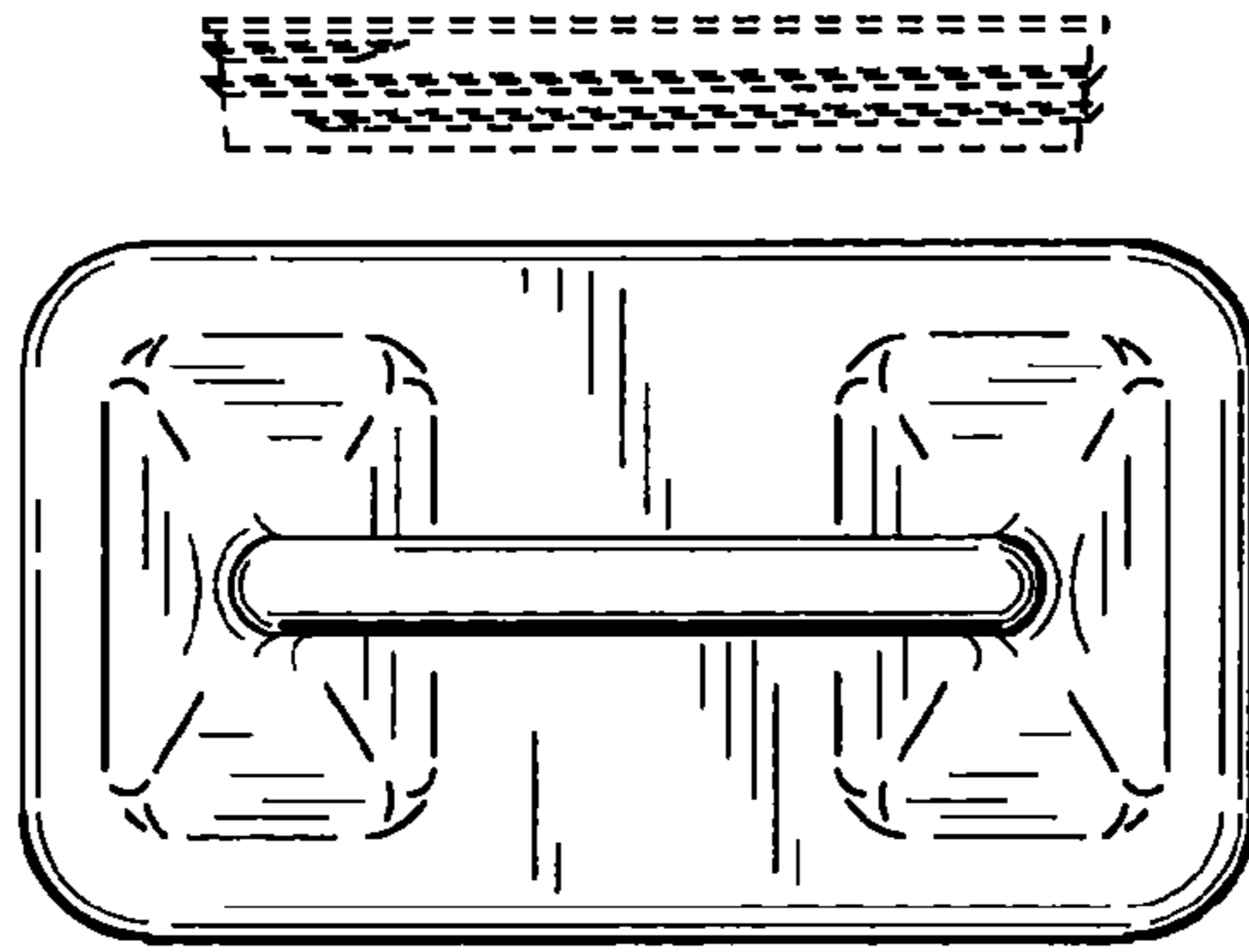


Fig. 4

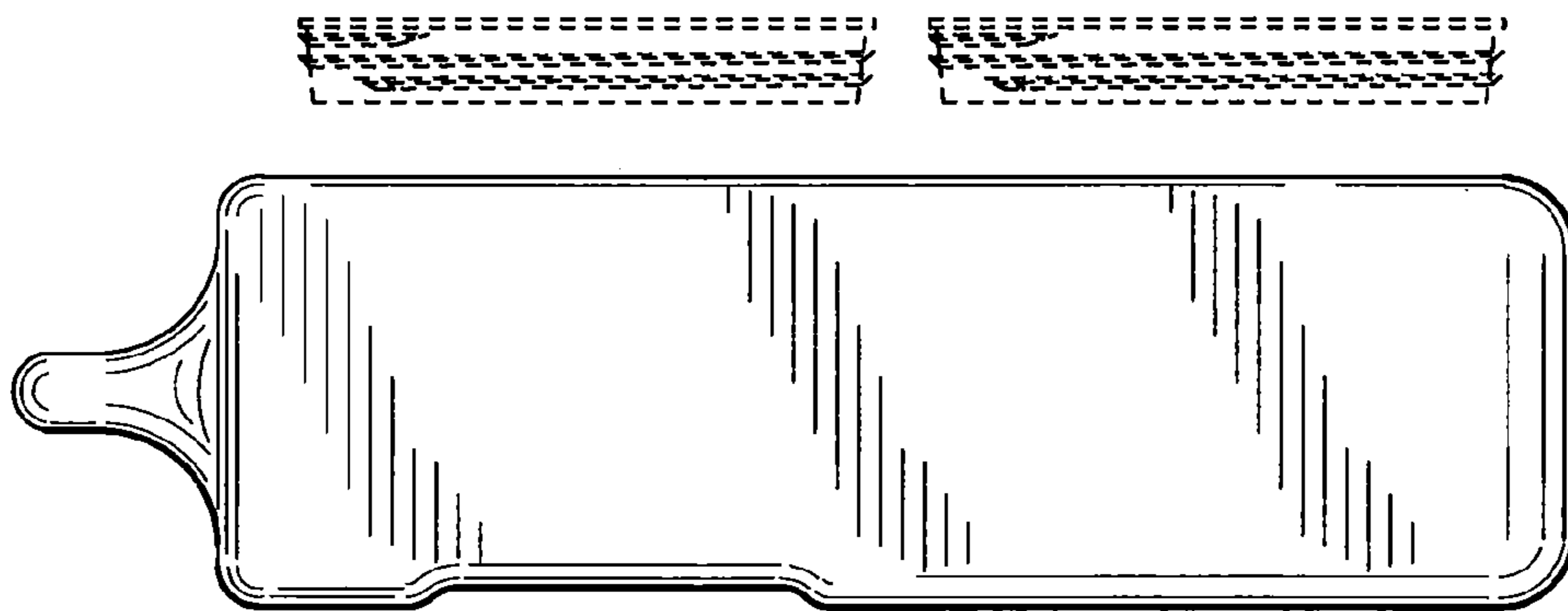


Fig. 5

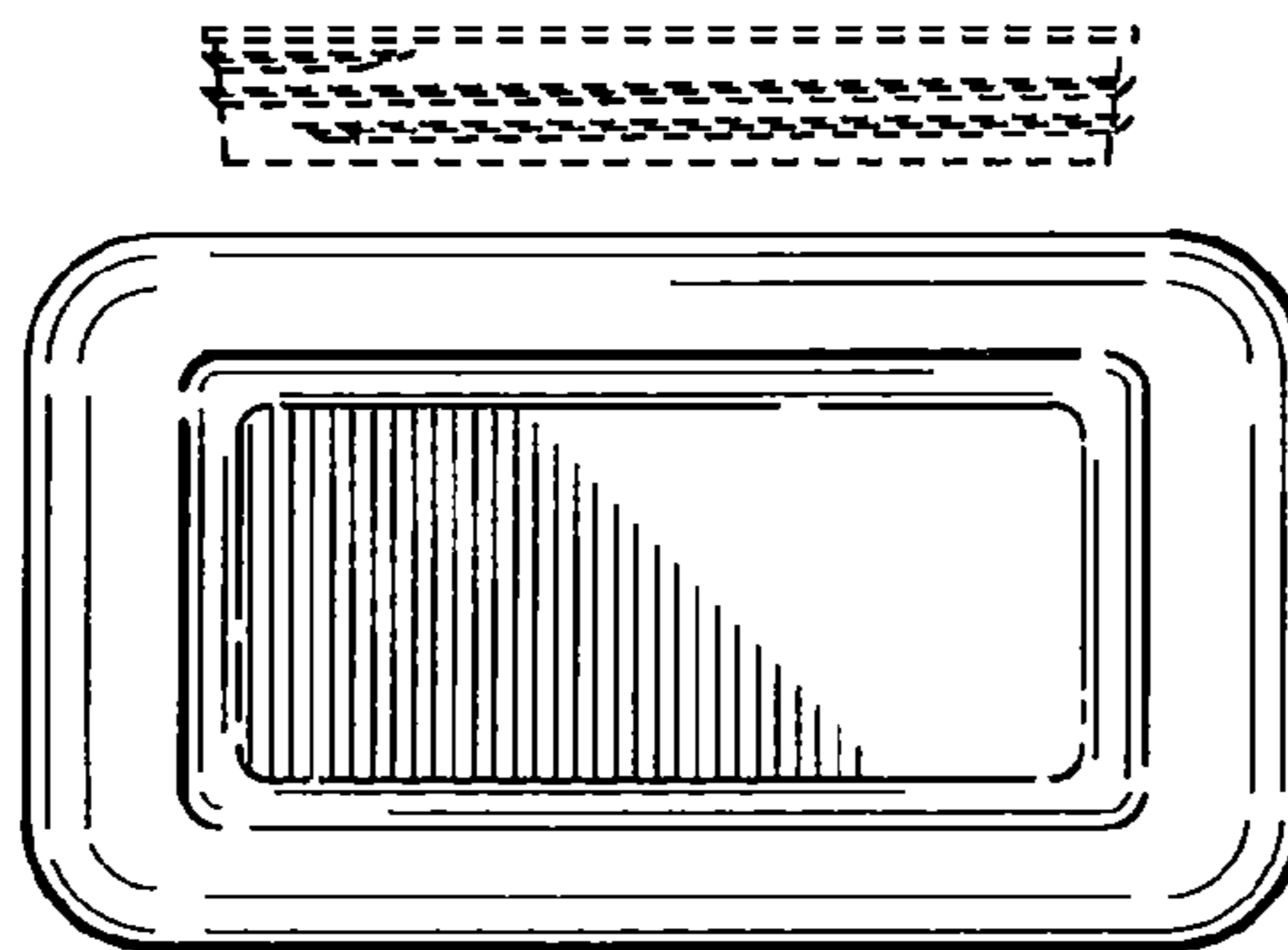


Fig. 6