



US00D621556S

(12) **United States Design Patent**
Hewson et al.

(10) **Patent No.:** **US D621,556 S**

(45) **Date of Patent:** **** Aug. 10, 2010**

(54) **PET BOWL**

4,192,256 A * 3/1980 Clugston 119/51.5
D289,808 S * 5/1987 Gardner D30/122

(75) Inventors: **Thomas Charles Hewson**, Loveland,
CO (US); **Thomas Anthony Nomina**,
Berthoud, CO (US); **Donald Joseph**
Suriani, Loveland, CO (US)

(Continued)

Primary Examiner—Susan Moon Lee

(74) *Attorney, Agent, or Firm*—Wood, Herron & Evans,
L.L.P.

(73) Assignee: **TNT Products LLC**, Loveland, CO
(US)

(**) Term: **14 Years**

(57) **CLAIM**

The ornamental design for a pet bowl, as shown and
described.

(21) Appl. No.: **29/354,788**

(22) Filed: **Jan. 28, 2010**

DESCRIPTION

Related U.S. Application Data

(63) Continuation-in-part of application No. 29/340,836,
filed on Jul. 27, 2009.

FIG. 1 is a perspective view of a pet bowl showing our new
design. The broken lines are for illustrative purposes only and
form no part of the claimed design.

(51) **LOC (9) Cl.** **30-03**

(52) **U.S. Cl.** **D30/121; D30/132; D30/129**

FIG. 2 is a front elevational view of our design.

(58) **Field of Classification Search** D30/123,
D30/129, 132, 121; 119/69.5, 673, 57.8,
119/68, 74, 61.57, 78-81, 61.4, 57.9, 51.5,
119/61.5, 72; 47/66.6, 39, 67, 83; 239/27,
239/280, 200, 281, 280.5, 273, 16, 17, 20,
239/22; 4/644, 627, 638; D7/558; D11/144,
D11/145, 153; D99/5, 24; 27/1; D23/201,
D23/292; 248/127, 132, 137, 138, 158, 910;
215/10; D6/353, 352, 484, 360, 480, 488;
219/521; 329/442, 459

FIG. 3 is a left side elevational view of the design, the right
view side being a mirror image of the left side.

FIG. 4 is a rear plan view of the design.

FIG. 5 is a top plan view of the design.

FIG. 6 is a bottom plan view of the design; and,

FIG. 7 is a cross-sectional view taken on line 7—7 of FIG. 5.
The broken line adjacent to the cross-sectional shading por-
tion of the bowl forms an unclaimed boundary of the design.

Any elements shown in dash-dot broken lines form no part of
the claimed invention in this application, and are instead
included to show environmental aspects of the claimed inven-
tion.

See application file for complete search history.

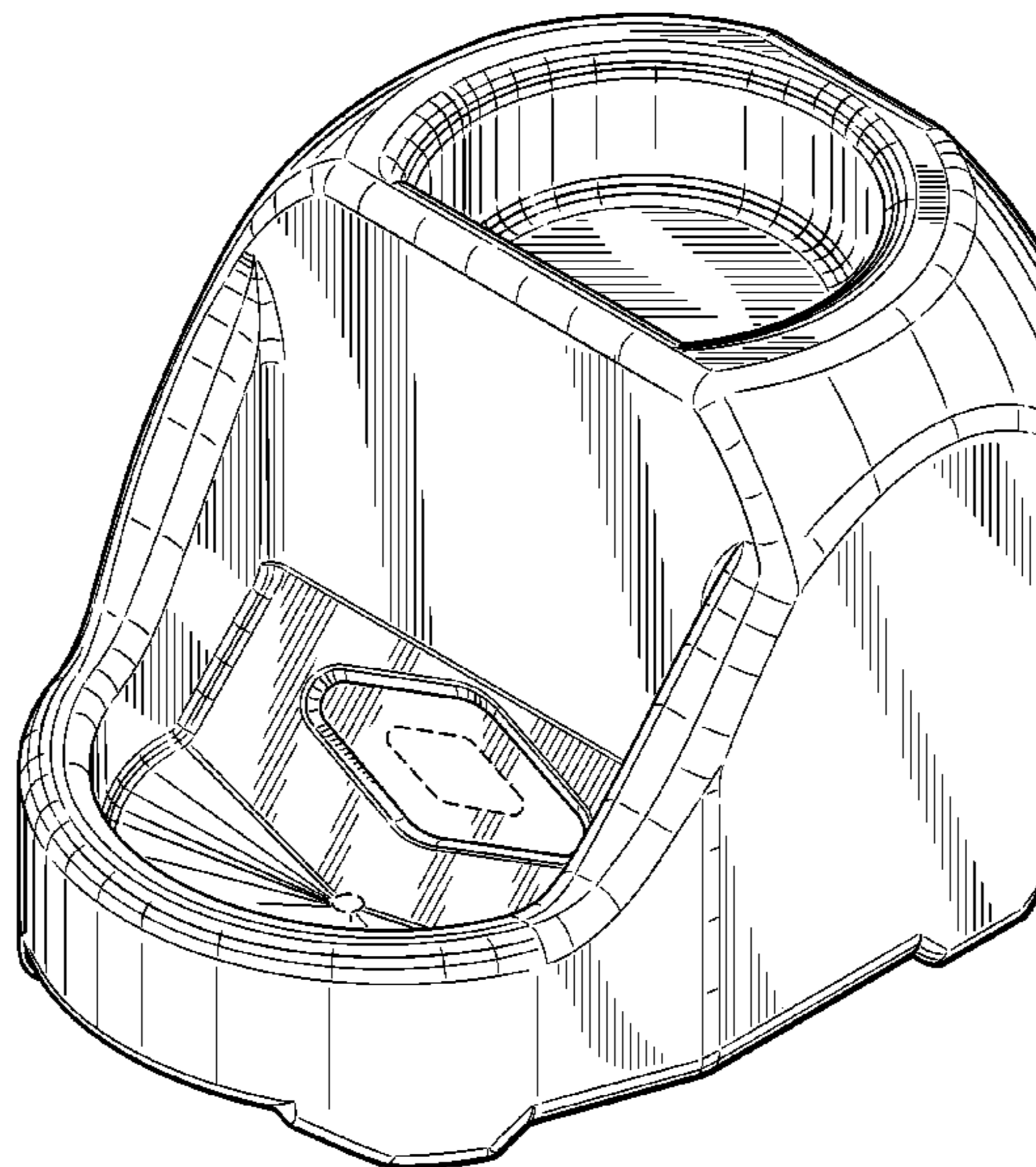
The broken lines shown as dash-dash showing of the pet bowl
is for illustrative purposes and forms no part of the claimed
design. The undisclosed portion of the divider manifold
forms no part of the claimed design.

(56) **References Cited**

U.S. PATENT DOCUMENTS

D185,650 S * 7/1959 Voorhees D30/132
D207,166 S * 3/1967 Noble D30/132
D234,144 S * 1/1975 Fassauer D30/132

1 Claim, 4 Drawing Sheets



US D621,556 S

Page 2

U.S. PATENT DOCUMENTS

4,947,796	A *	8/1990	Robinette	119/51.5	D428,217	S *	7/2000	Rodack et al.	D30/132
D330,099	S *	10/1992	Sutherland	D30/132	6,142,099	A *	11/2000	Lange, Jr.	119/51.5
D335,197	S *	4/1993	Strickland	D30/132	D446,889	S *	8/2001	Bornhofen	D30/132
5,492,083	A *	2/1996	Holladay	119/52.1	D457,692	S *	5/2002	Skurdalsvold et al.	D30/132
D374,109	S *	9/1996	Lillelund et al.	D30/121	6,467,428	B1 *	10/2002	Andrisin et al.	119/51.5
D383,797	S *	9/1997	Finnegan	D30/132	D470,631	S *	2/2003	Teufel	D30/132
D392,777	S *	3/1998	Scribner	D30/131	D486,612	S *	2/2004	Ross	D30/132
6,055,934	A *	5/2000	Burns et al.	119/74	D503,247	S *	3/2005	Ross	D30/132

* cited by examiner

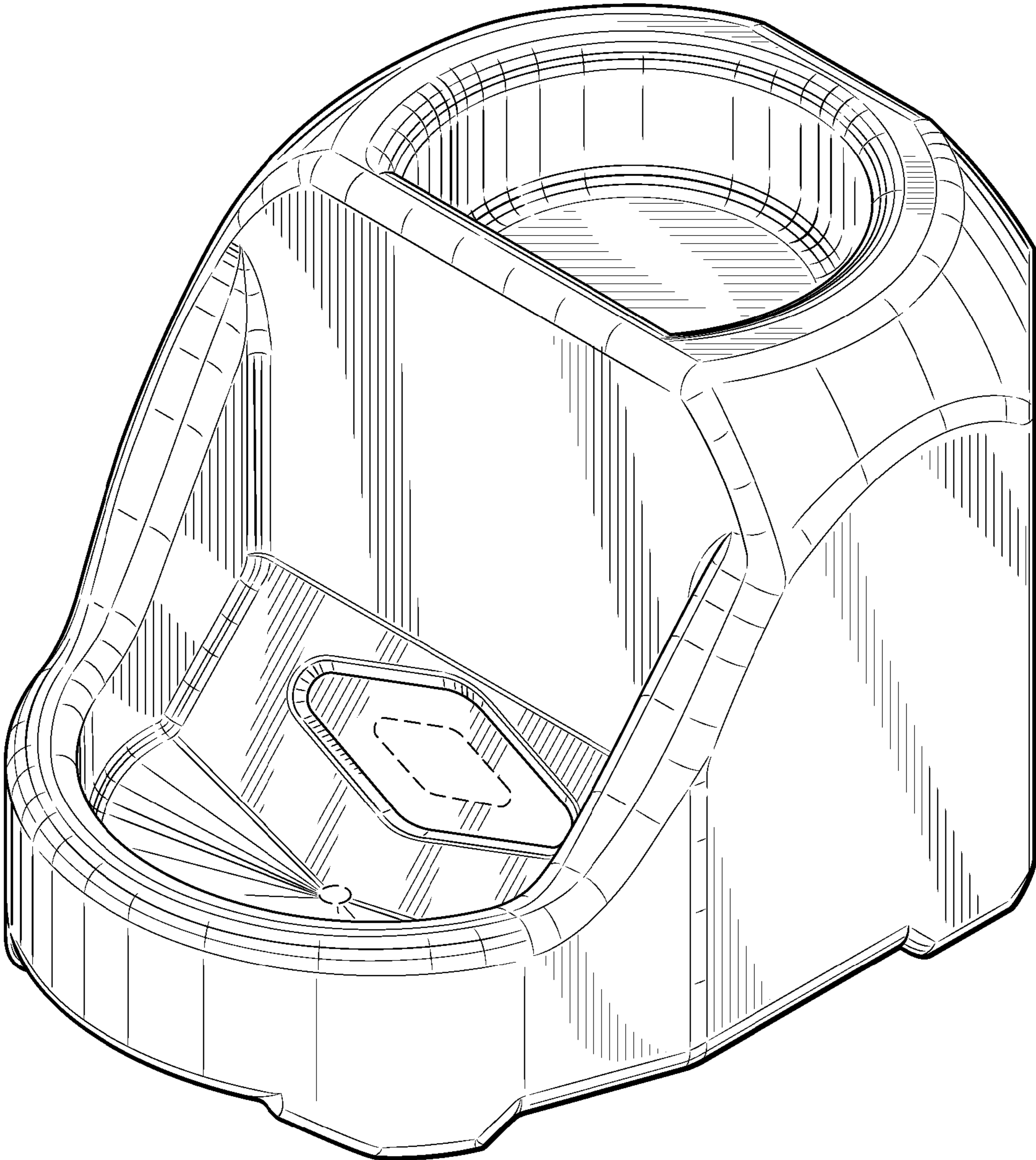


FIG. 1

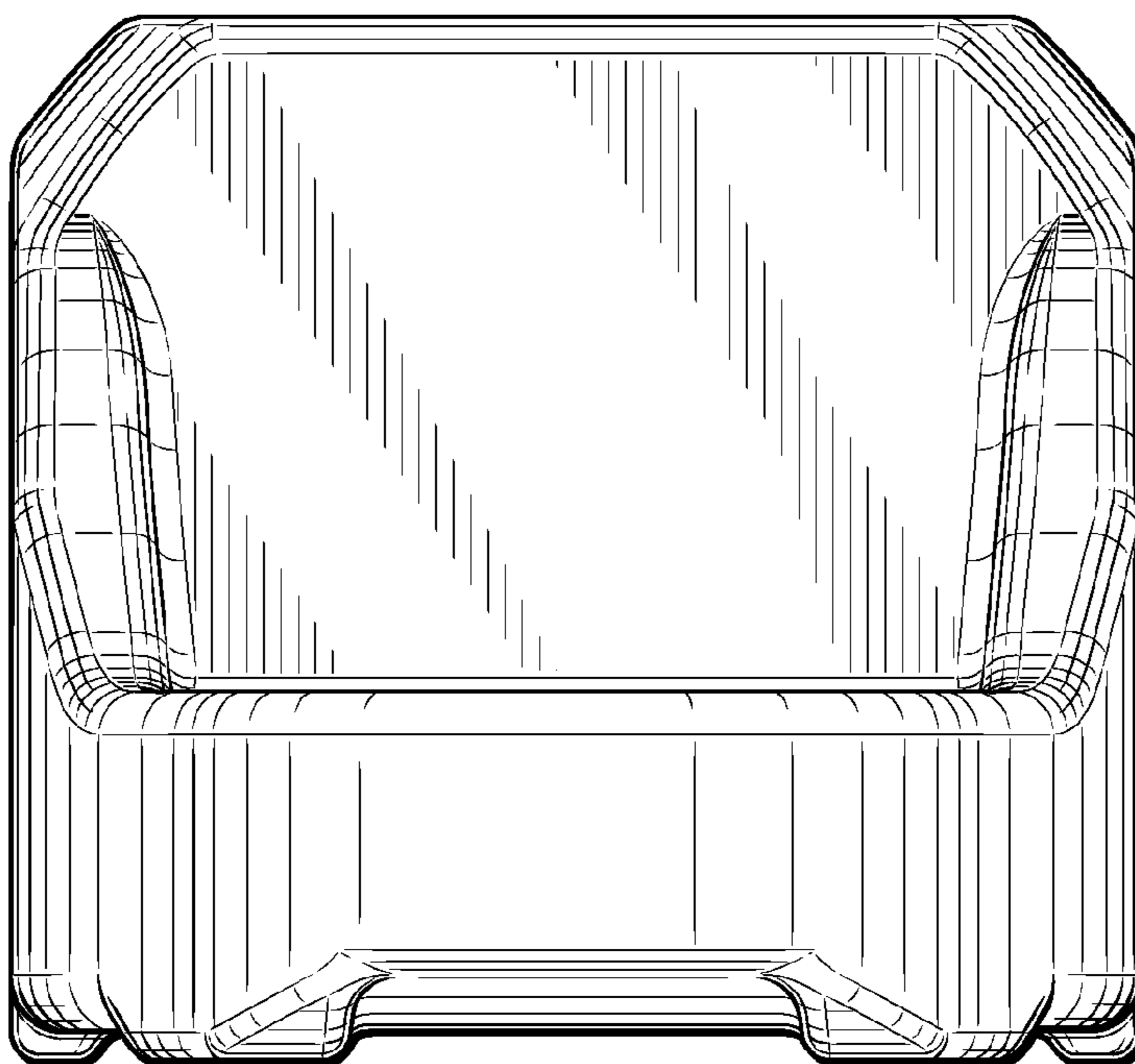


FIG. 2

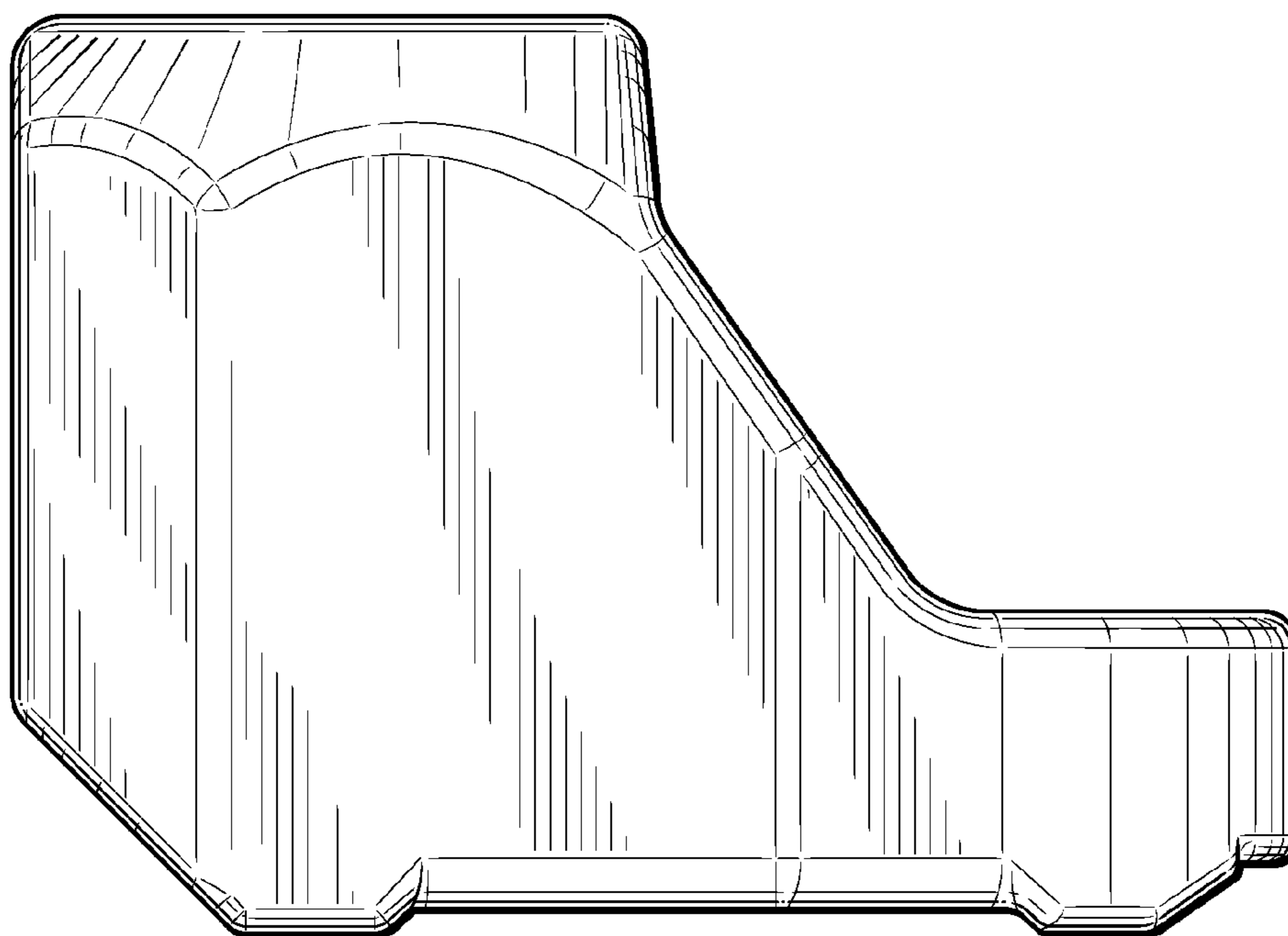


FIG. 3

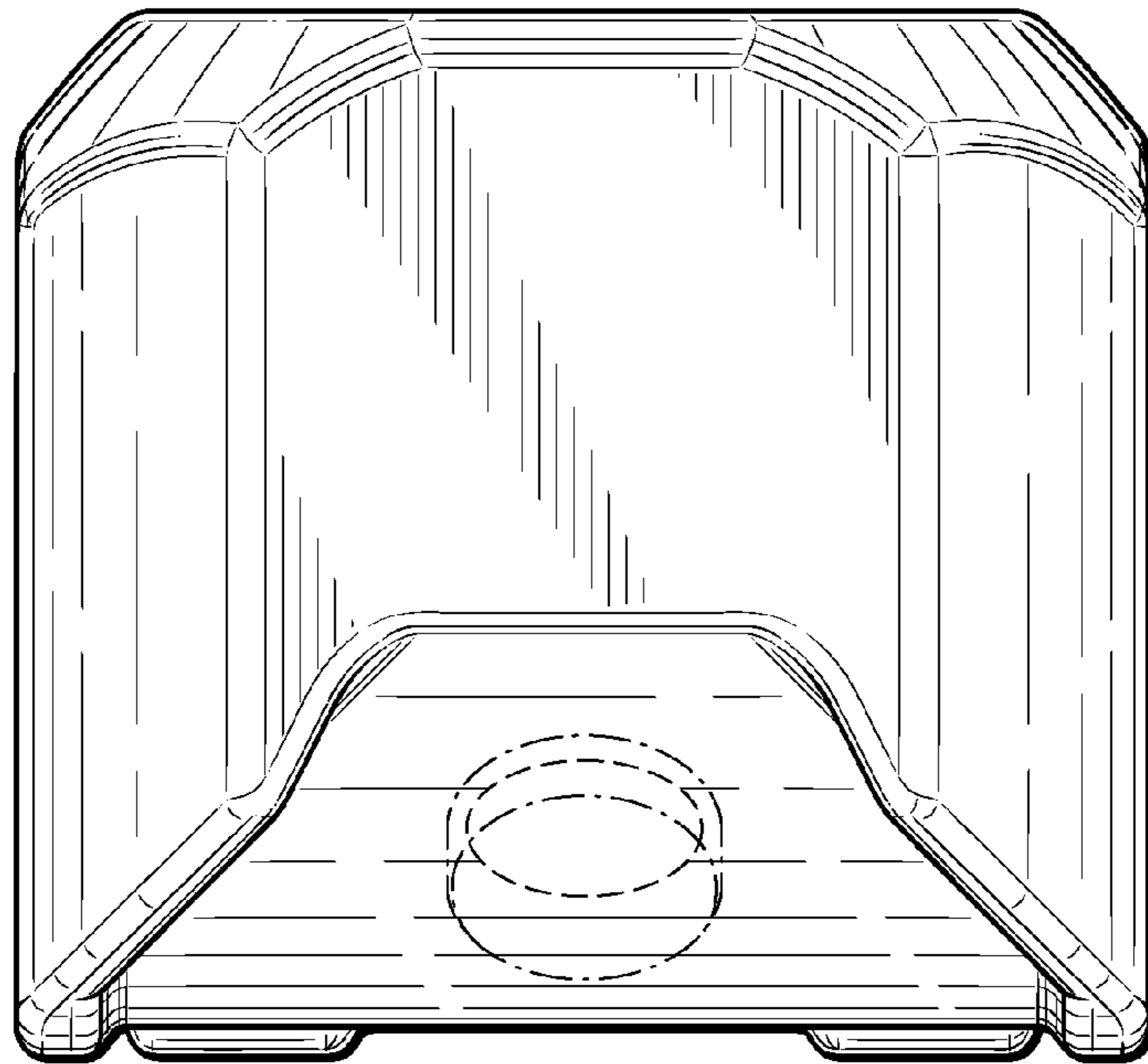
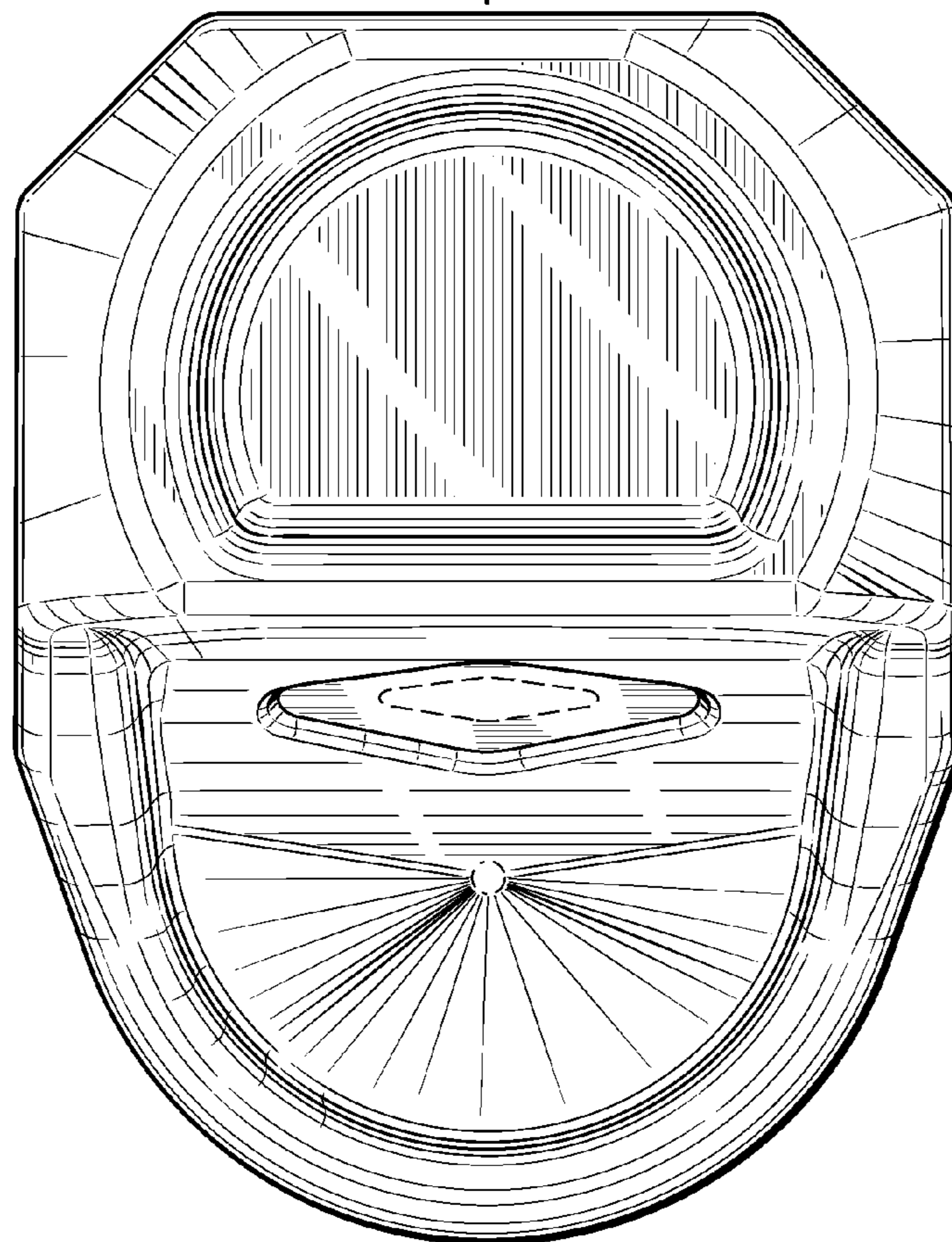


FIG. 4

7 →



7 →

FIG. 5

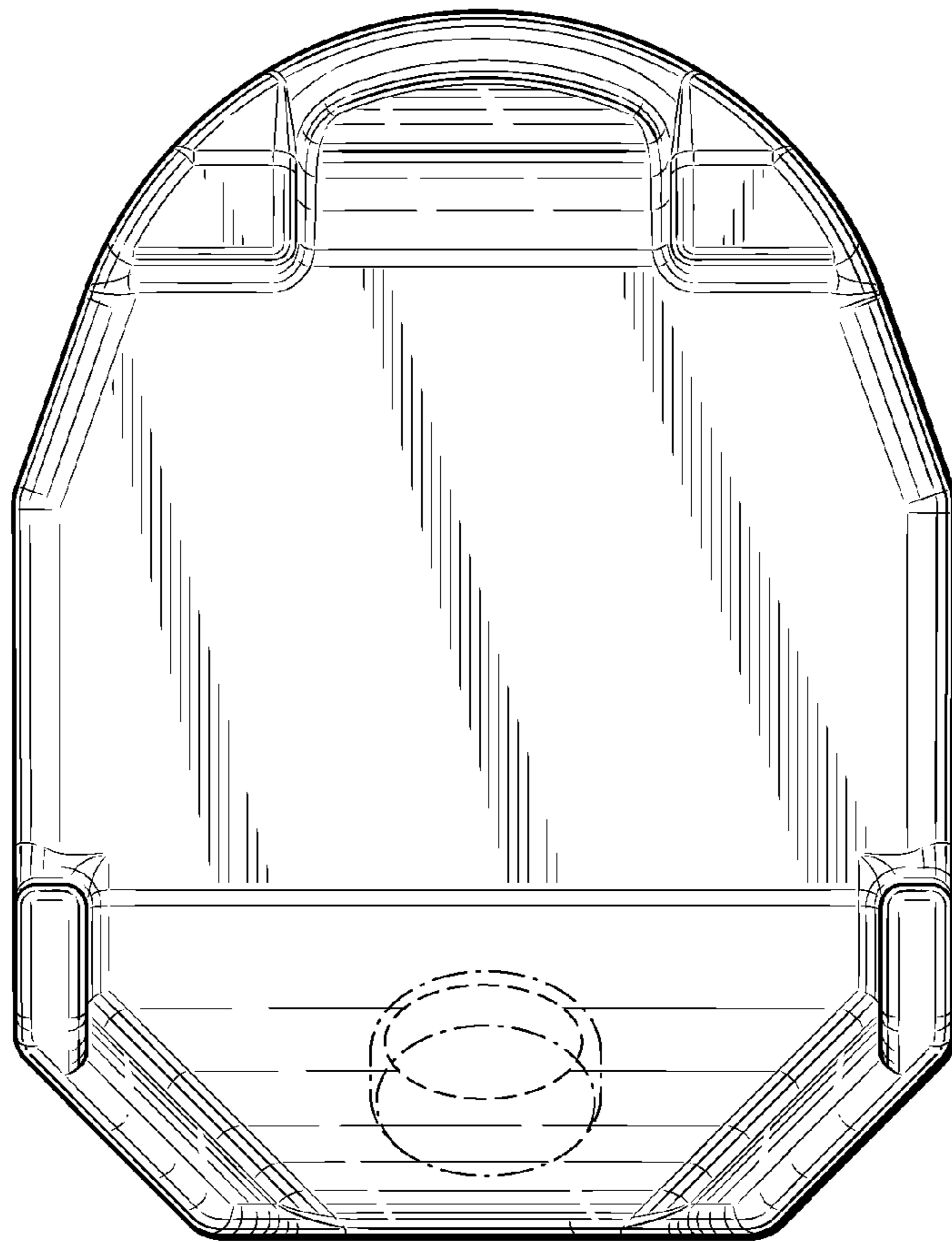


FIG. 6

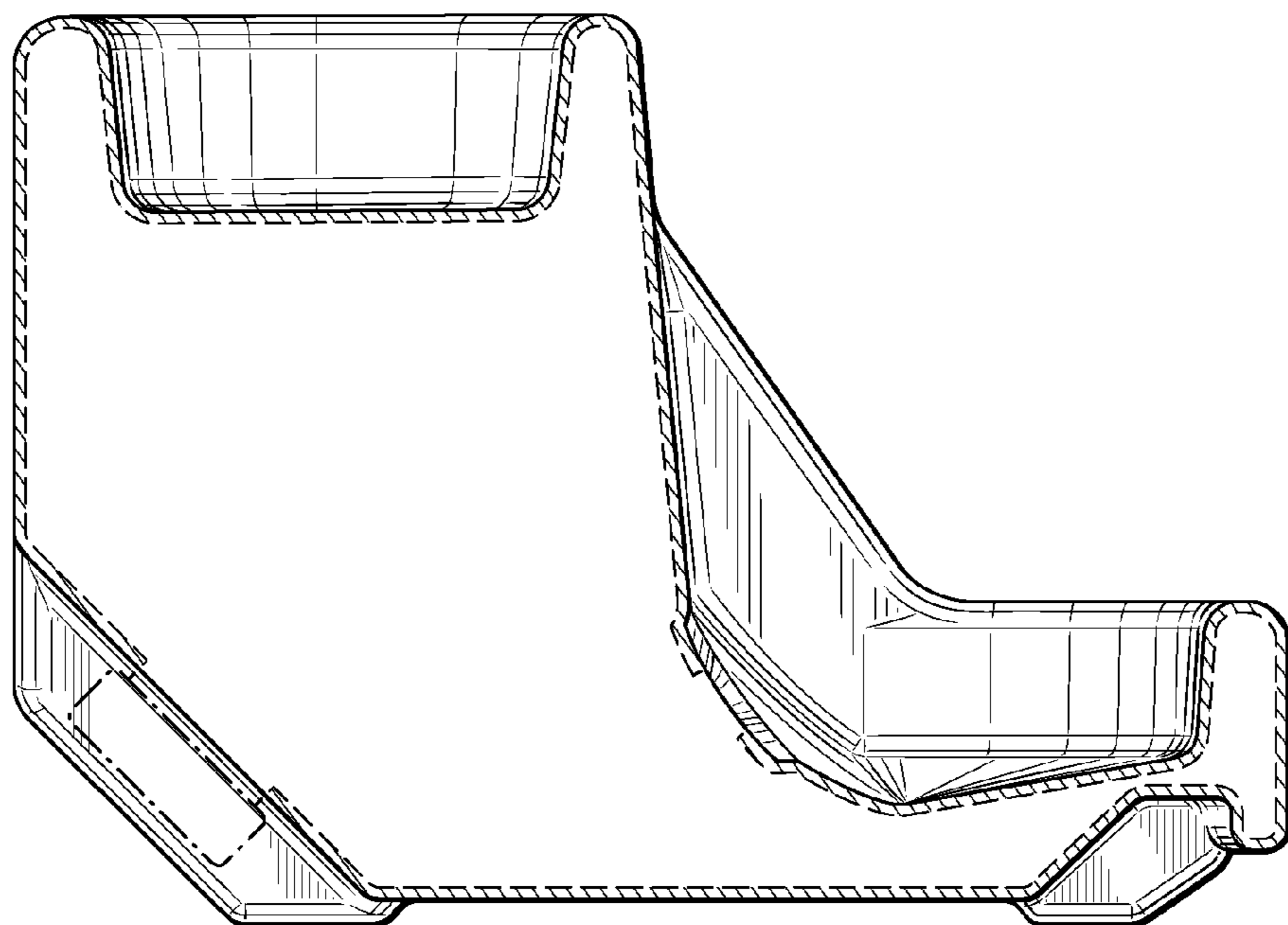


FIG. 7