



US00D621551S

(12) **United States Design Patent**
Isobe

(10) **Patent No.:** **US D621,551 S**

(45) **Date of Patent:** **** Aug. 10, 2010**

(54) **HELMET**

(75) Inventor: **Eiji Isobe**, Abiko (JP)

(73) Assignee: **Shoei Co., Ltd.**, Tokyo (JP)

(**) Term: **14 Years**

(21) Appl. No.: **29/337,051**

(22) Filed: **May 14, 2009**

(51) **LOC (9) Cl.** **09-03**

(52) **U.S. Cl.** **D29/107**

(58) **Field of Classification Search** D29/102–107,
D29/122; 2/410–412, 413–414, 416–417,
2/421, 423–425, 10, 12, 15

See application file for complete search history.

(56) **References Cited**

U.S. PATENT DOCUMENTS

D324,115 S *	2/1992	Brooks	D29/107
D330,096 S *	10/1992	Heinrich	D29/107
D424,247 S *	5/2000	Deleon	D29/103
D451,643 S *	12/2001	Kalhok	D29/107
D454,987 S *	3/2002	Hahm	D29/122
D461,935 S *	8/2002	Hahm	D29/107
D485,948 S *	1/2004	Yi	D29/107
D498,882 S *	11/2004	Yi	D29/107
D526,745 S *	8/2006	Hohdorf	D29/107
D549,884 S *	8/2007	Dion	D29/107

D584,876 S *	1/2009	Hynes	D1/104
D591,457 S *	4/2009	Huesmann	D29/107
D601,307 S *	9/2009	Izquierdo Mediavilla	..	D29/107
D602,206 S *	10/2009	Kim	D29/107
D602,643 S *	10/2009	Ho	D29/102

* cited by examiner

Primary Examiner—Elizabeth A Albert

Assistant Examiner—Kelley A Donnelly

(74) *Attorney, Agent, or Firm*—Sughrue Mion, PLLC

(57) **CLAIM**

The ornamental design for a helmet, as shown and described.

DESCRIPTION

FIG. 1 is a left rear perspective view of a helmet showing my new design for helmet;

FIG. 2 is a rear view thereof;

FIG. 3 is a front view thereof;

FIG. 4 is a left side view thereof;

FIG. 5 is a bottom plan view thereof;

FIG. 6 is a right side view thereof; and,

FIG. 7 is a top plan view thereof.

The broken lines are included for the purpose of illustrating environment and form no part of the claimed design.

1 Claim, 4 Drawing Sheets

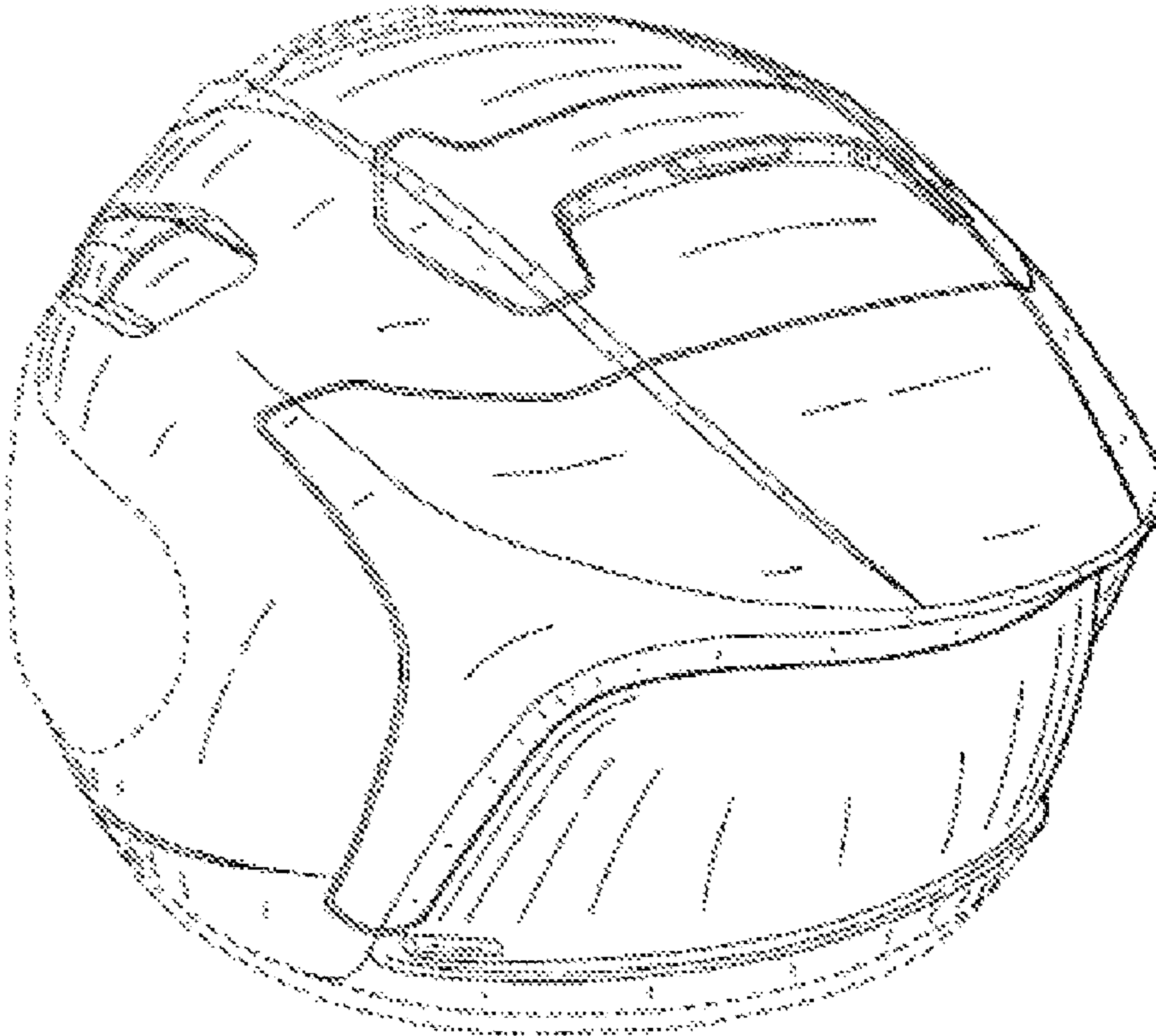


FIG. 1

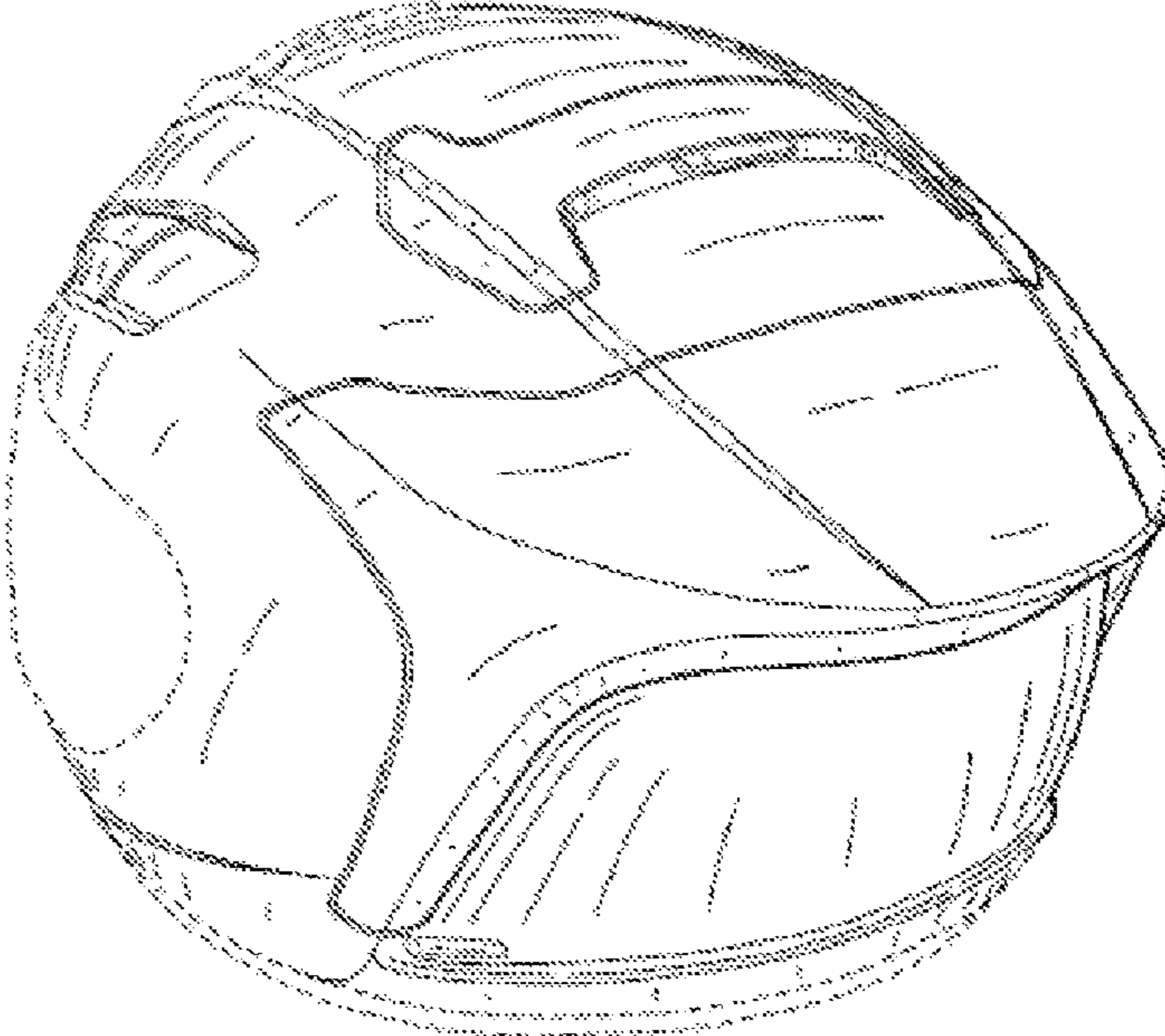


FIG. 2

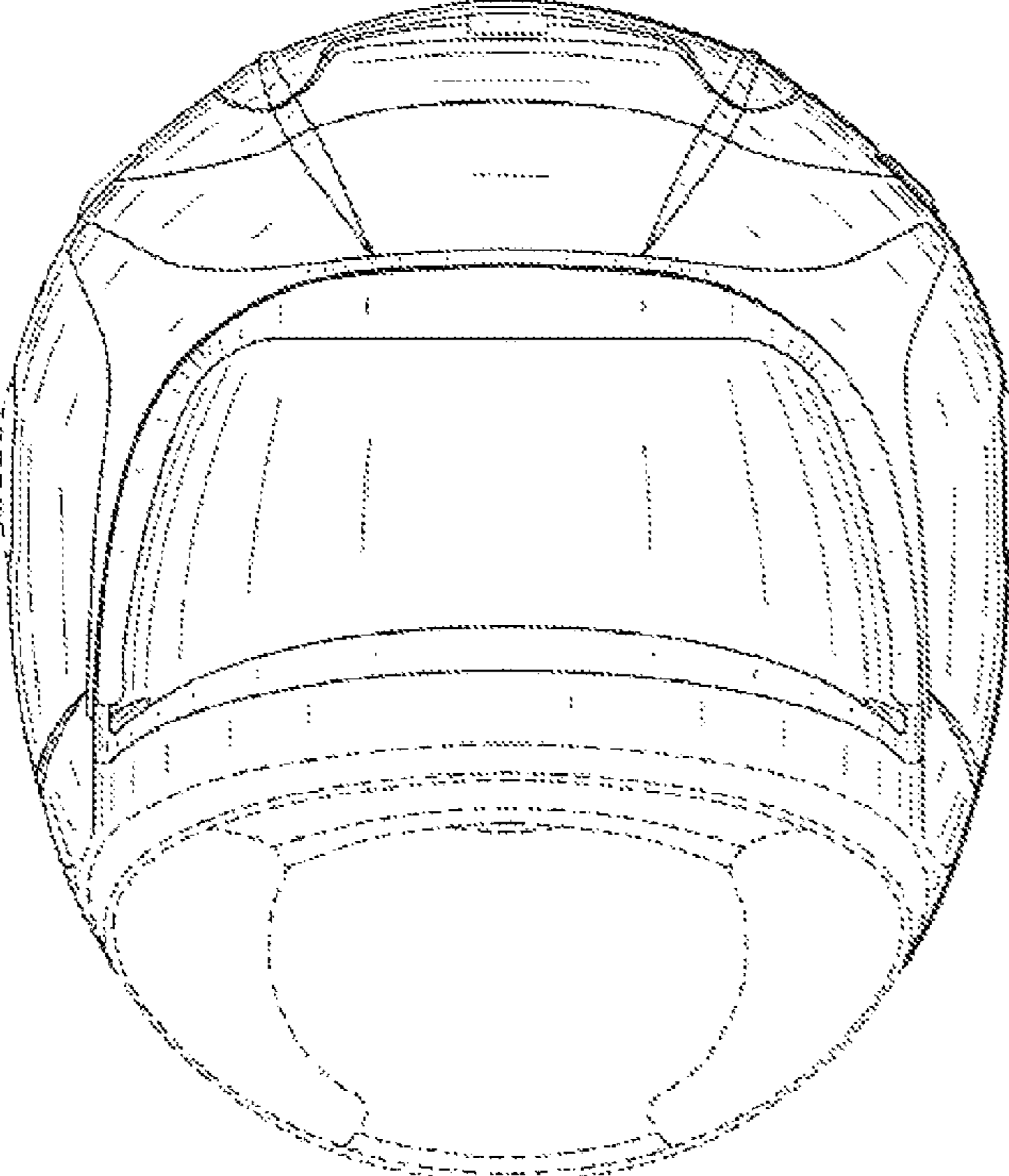


FIG. 3

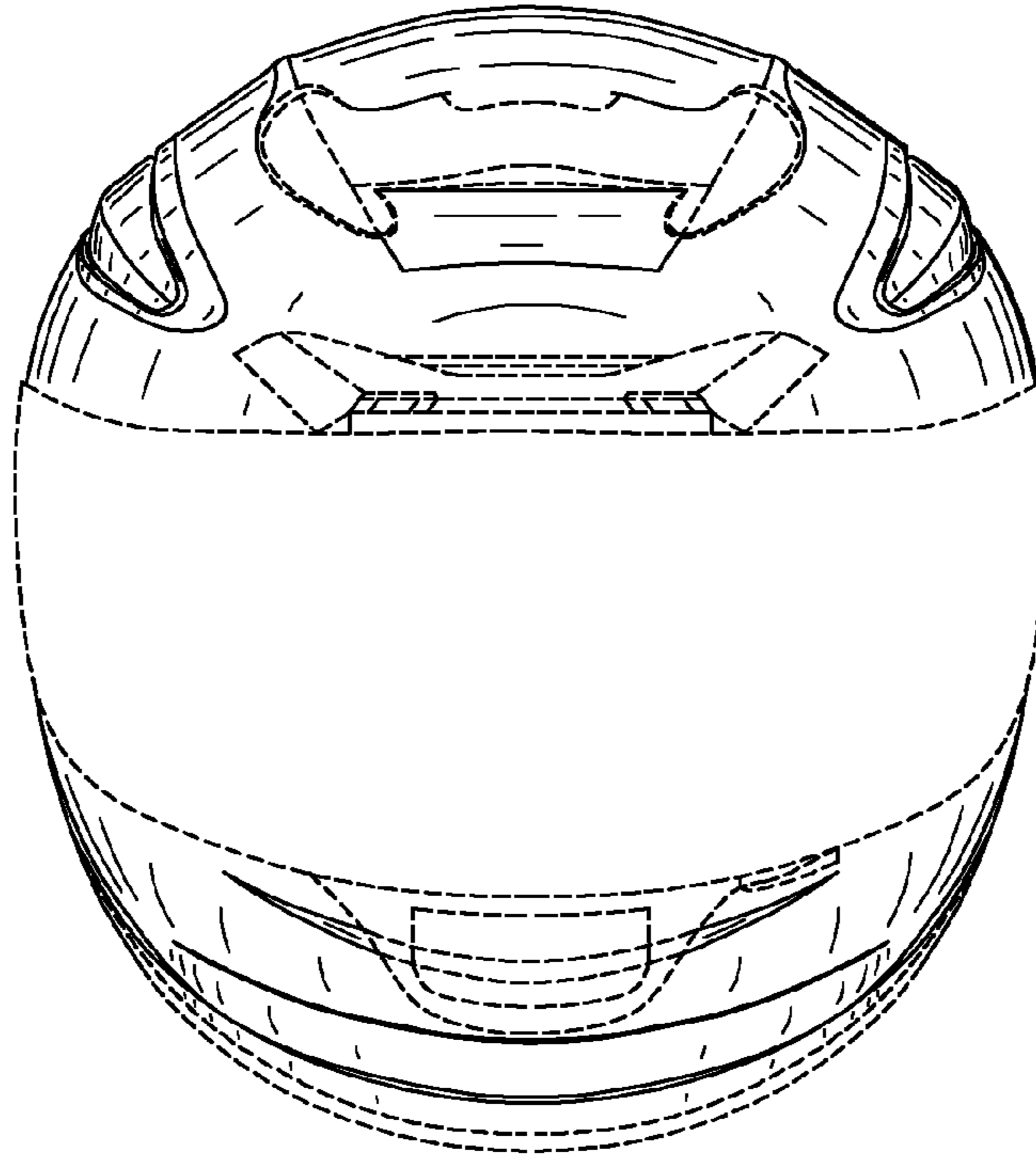


FIG. 4

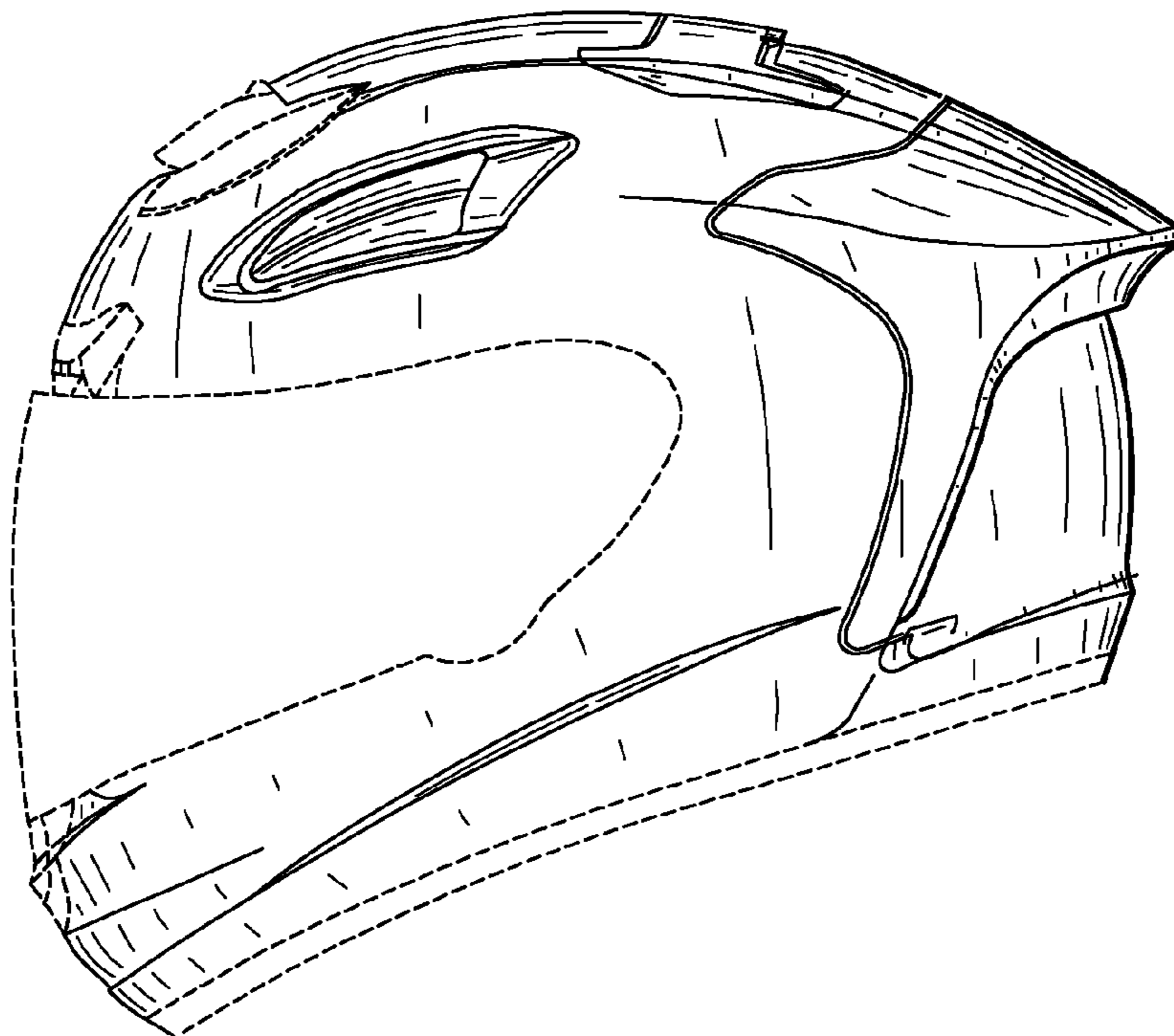


FIG. 5

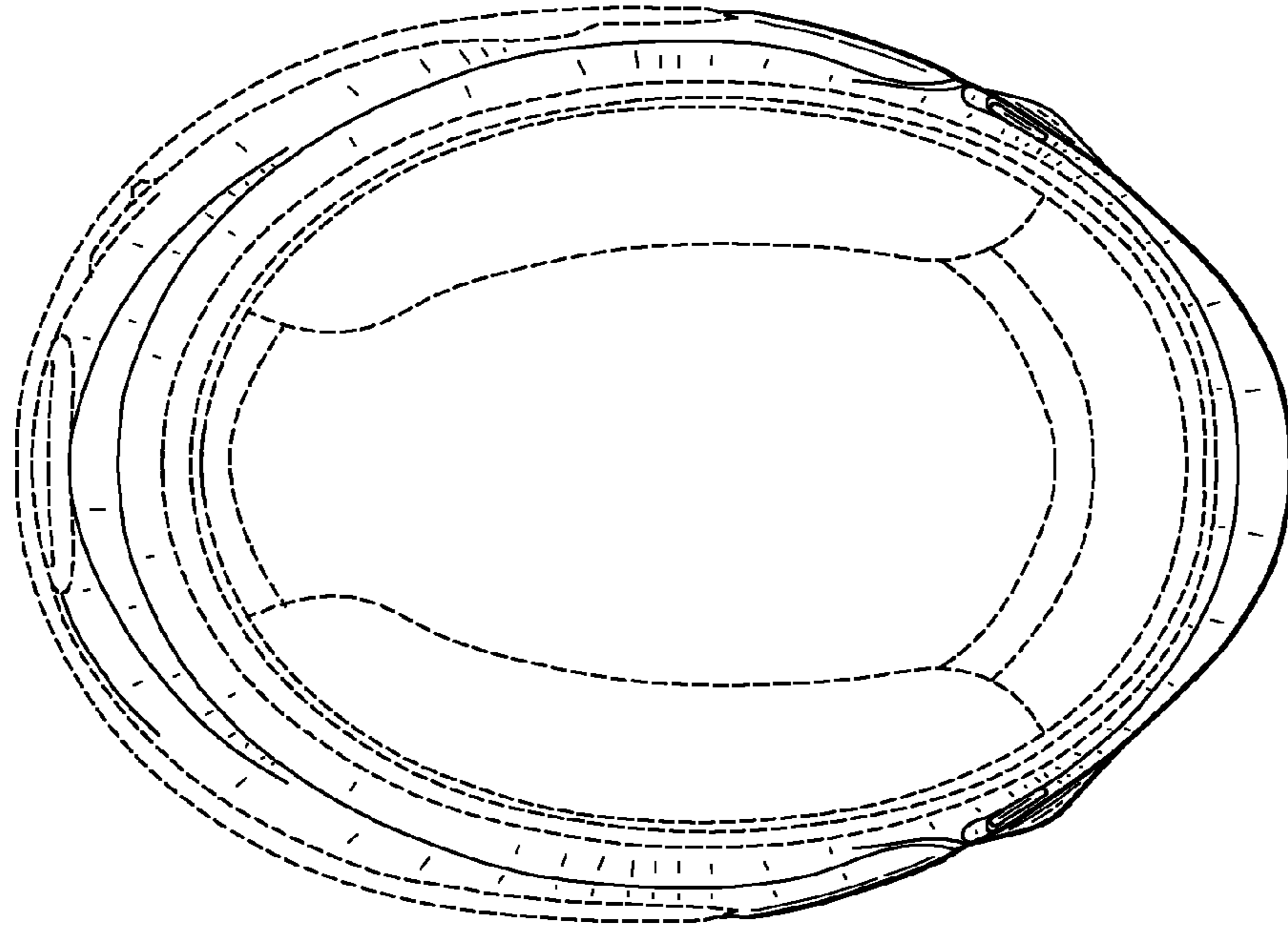


FIG. 6

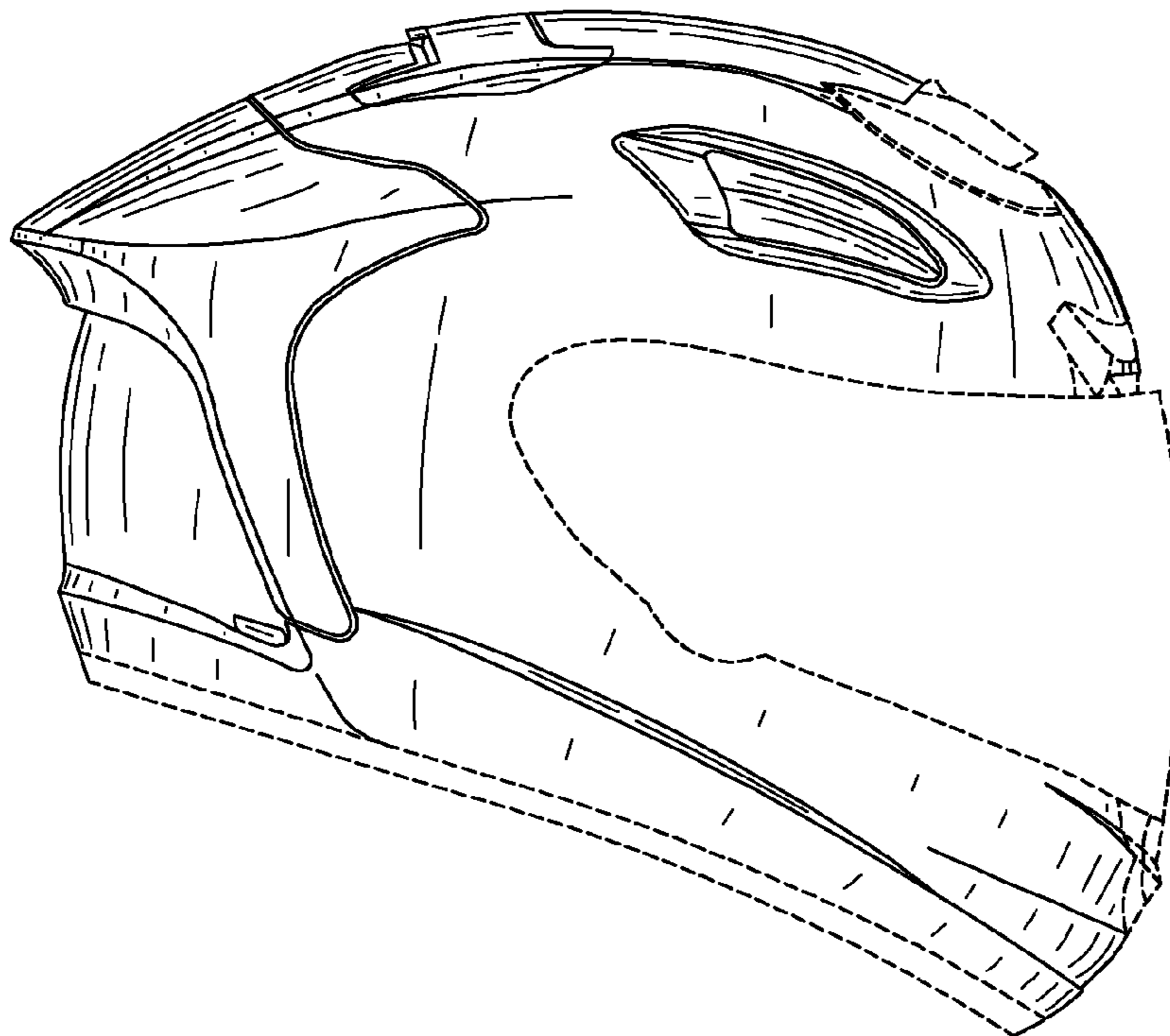


FIG. 7

