



US00D621548S

(12) **United States Design Patent**
Chen

(10) **Patent No.:** **US D621,548 S**

(45) **Date of Patent:** **** Aug. 10, 2010**

(54) **COSMETIC COMPACT**

(75) Inventor: **Sung-Tsei Chen**, City of Industry, CA
(US)

(73) Assignee: **Markwins International Corp.**, City of
Industry, CA (US)

(**) Term: **14 Years**

(21) Appl. No.: **29/359,392**

(22) Filed: **Apr. 23, 2010**

(51) **LOC (9) Cl.** **28-03**

(52) **U.S. Cl.** **D28/83**

(58) **Field of Classification Search** D28/76-84;
D9/500, 503-505, 414, 418, 420-423, 428;
206/581, 823; 132/286-318

See application file for complete search history.

(56) **References Cited**

U.S. PATENT DOCUMENTS

D278,255 S	4/1985	Evenson	
D282,300 S	1/1986	Bakic	
D293,724 S *	1/1988	Kingsford et al. D28/83
D301,642 S	6/1989	Bakic	
D303,583 S	9/1989	Bakic	
D361,508 S	8/1995	Schnack	
D380,961 S	7/1997	Schnack	
D397,831 S	9/1998	Stoecker	
D423,219 S	4/2000	Dembicks	
D450,454 S	11/2001	Dembicks	
D452,376 S	12/2001	Dembicks	
D475,810 S	6/2003	Lai	
D479,630 S *	9/2003	Lai D28/83

D493,919 S	8/2004	Beilman	
D512,836 S	12/2005	Marnell, II	
7,117,874 B2	10/2006	Gubernick	
D542,475 S *	5/2007	Martinez D28/83
D555,938 S	11/2007	Brisco	
D600,858 S *	9/2009	Thorpe et al. D28/83
D603,564 S *	11/2009	Liden D28/83

* cited by examiner

Primary Examiner—Jennifer Rivard

(74) *Attorney, Agent, or Firm*—Danton K. Mak; Sheldon
Mak Rose & Anderson PC

(57) **CLAIM**

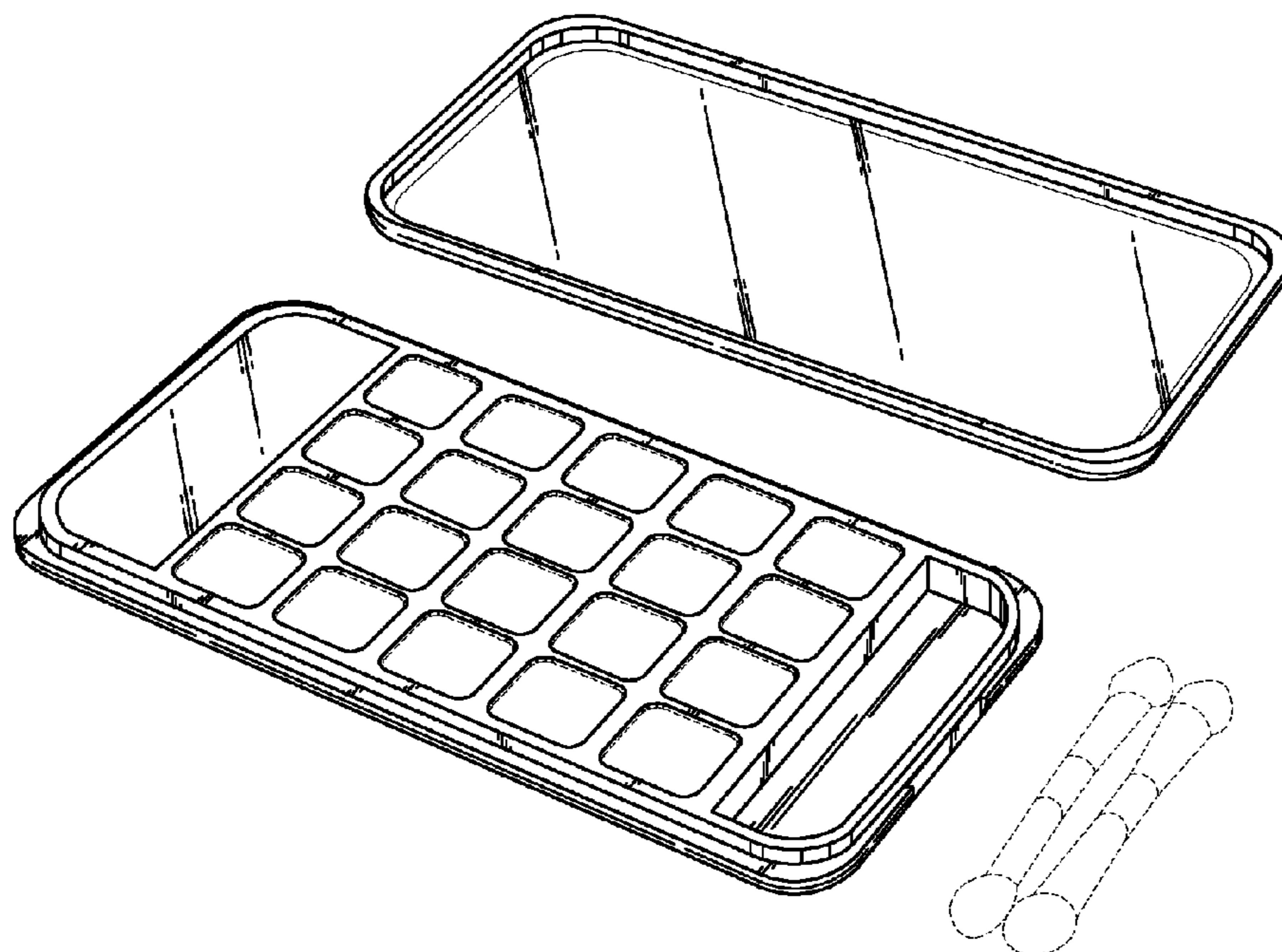
The ornamental design for the cosmetic compact, as shown
and described.

DESCRIPTION

FIG. 1 is a perspective view of the cosmetic compact of the
present invention, with its see-through lid in a closed position;
FIG. 2 is a front view of the cosmetic compact of FIG. 1;
FIG. 3 is a left side view of the cosmetic compact of FIG. 1,
the right side view being a mirror image thereof;
FIG. 4 is a top view of the cosmetic compact of FIG. 1;
FIG. 5 is a bottom view of the cosmetic compact of FIG. 1;
FIG. 6 is a rear view of the cosmetic compact of FIG. 1; and,
FIG. 7 is a perspective view of the cosmetic compact of FIG.
1, with the see-through lid removed and turned over.

Details shown in broken lines are for illustrative purposes
only, and form no part of the claimed design.

1 Claim, 3 Drawing Sheets



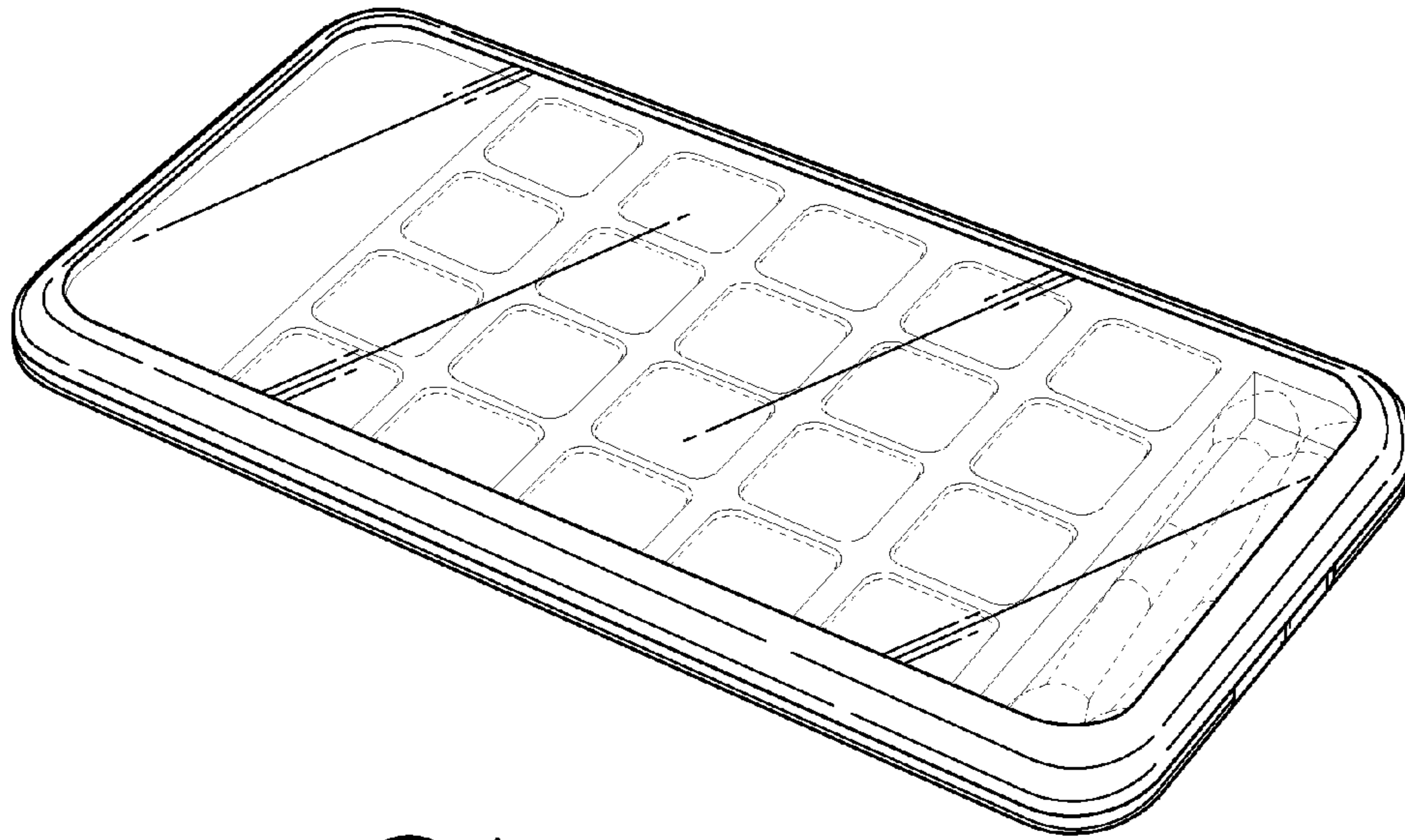


FIG. 1

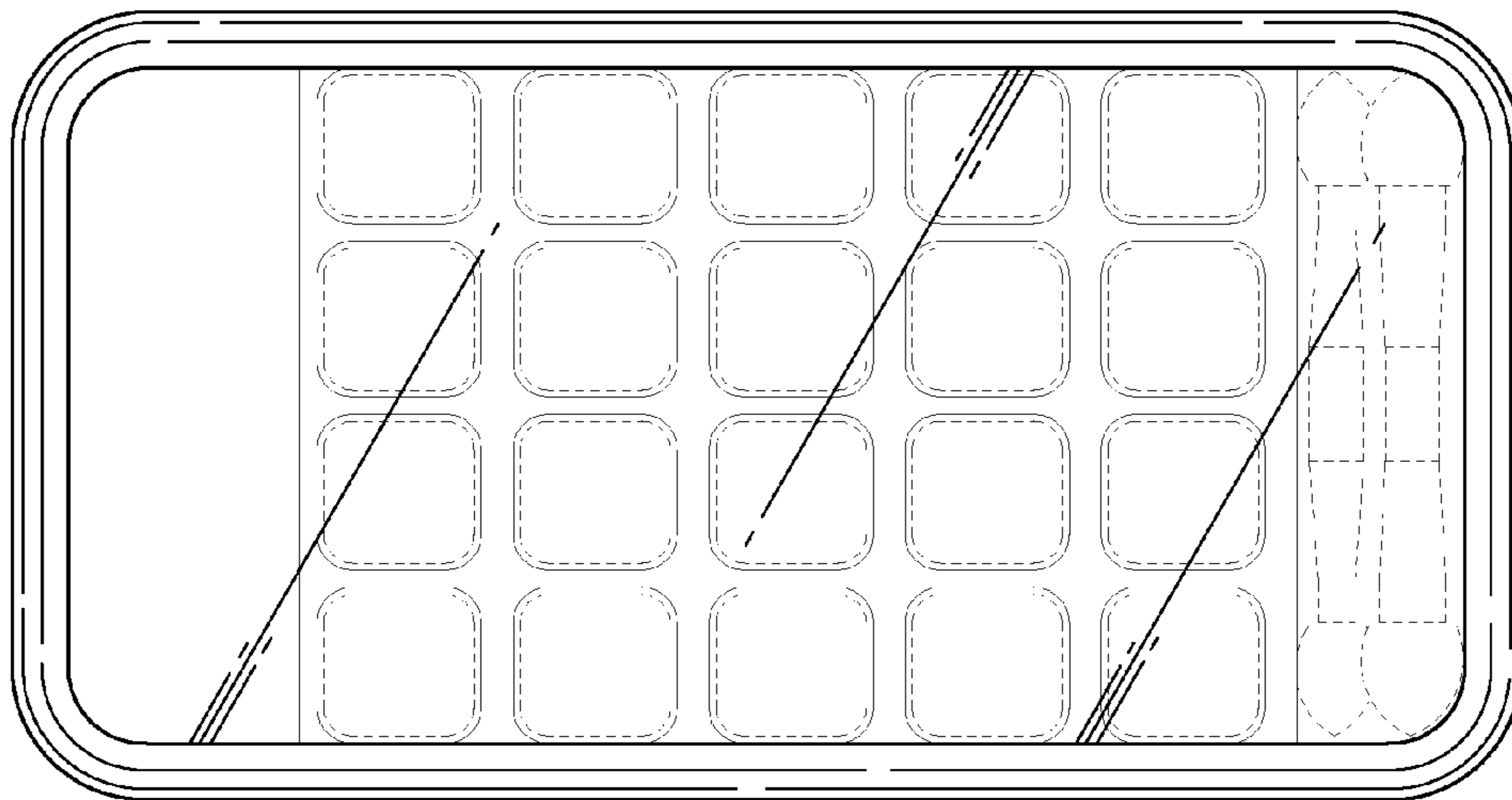


FIG. 2

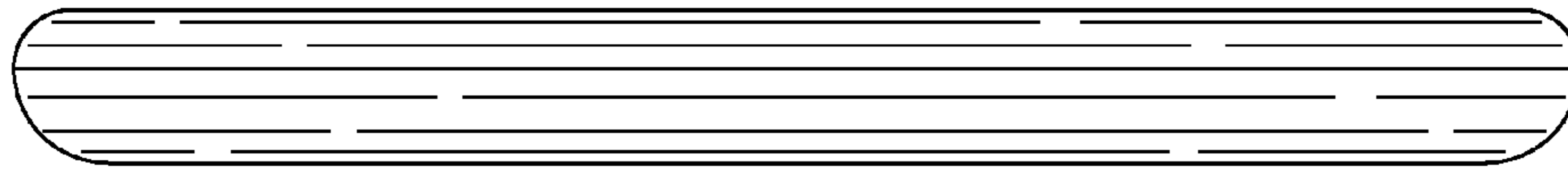


FIG. 3

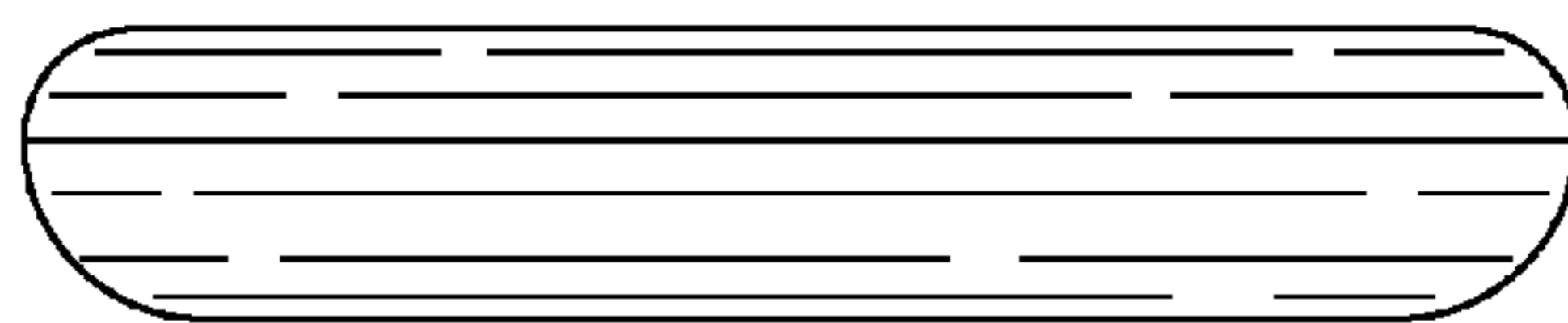


FIG. 4

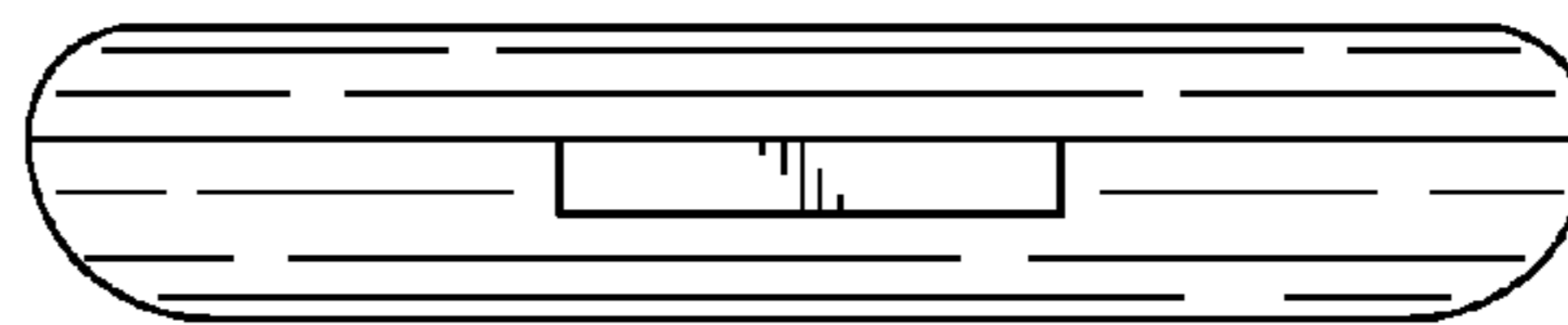


FIG. 5

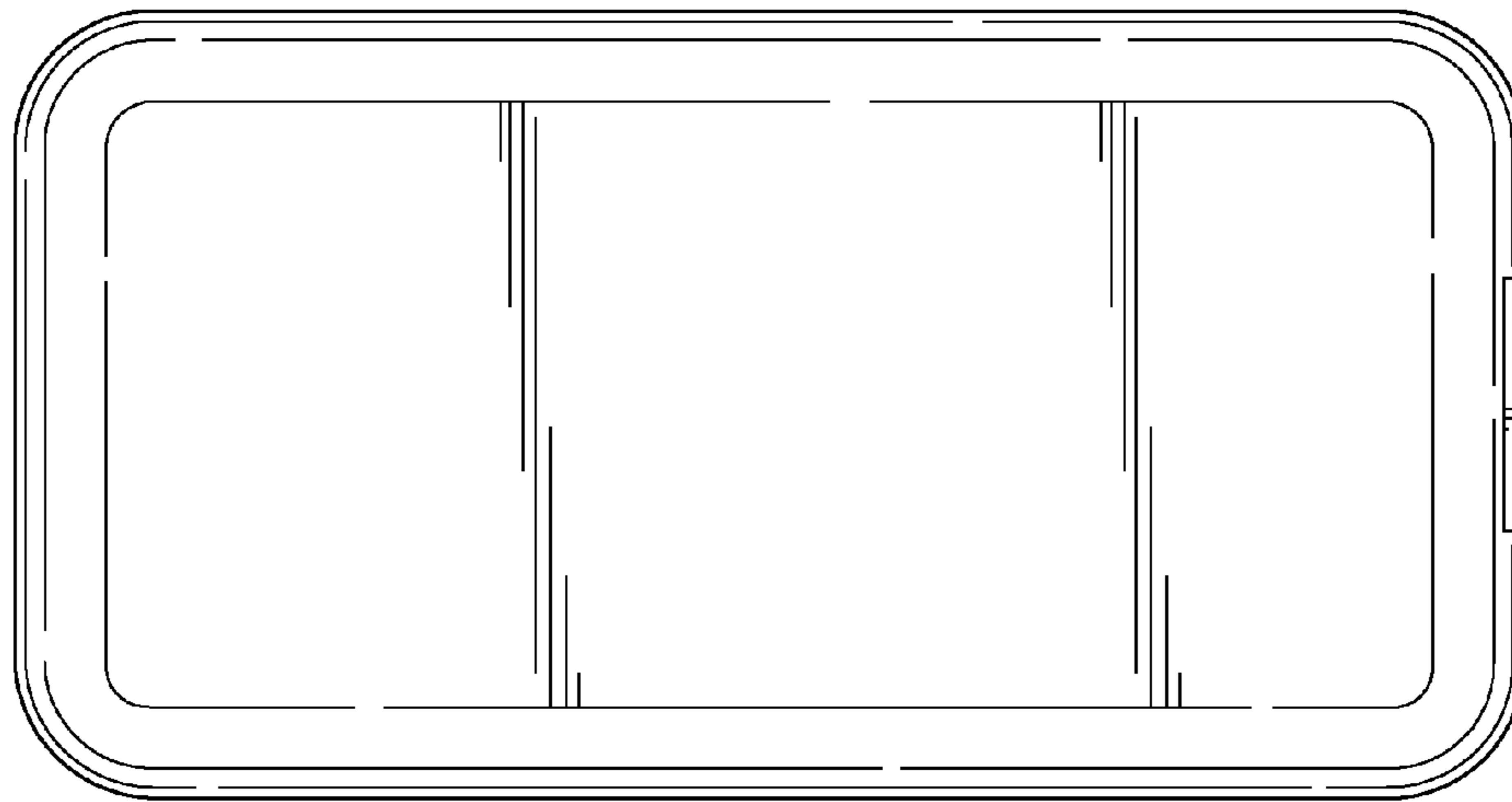


FIG. 6

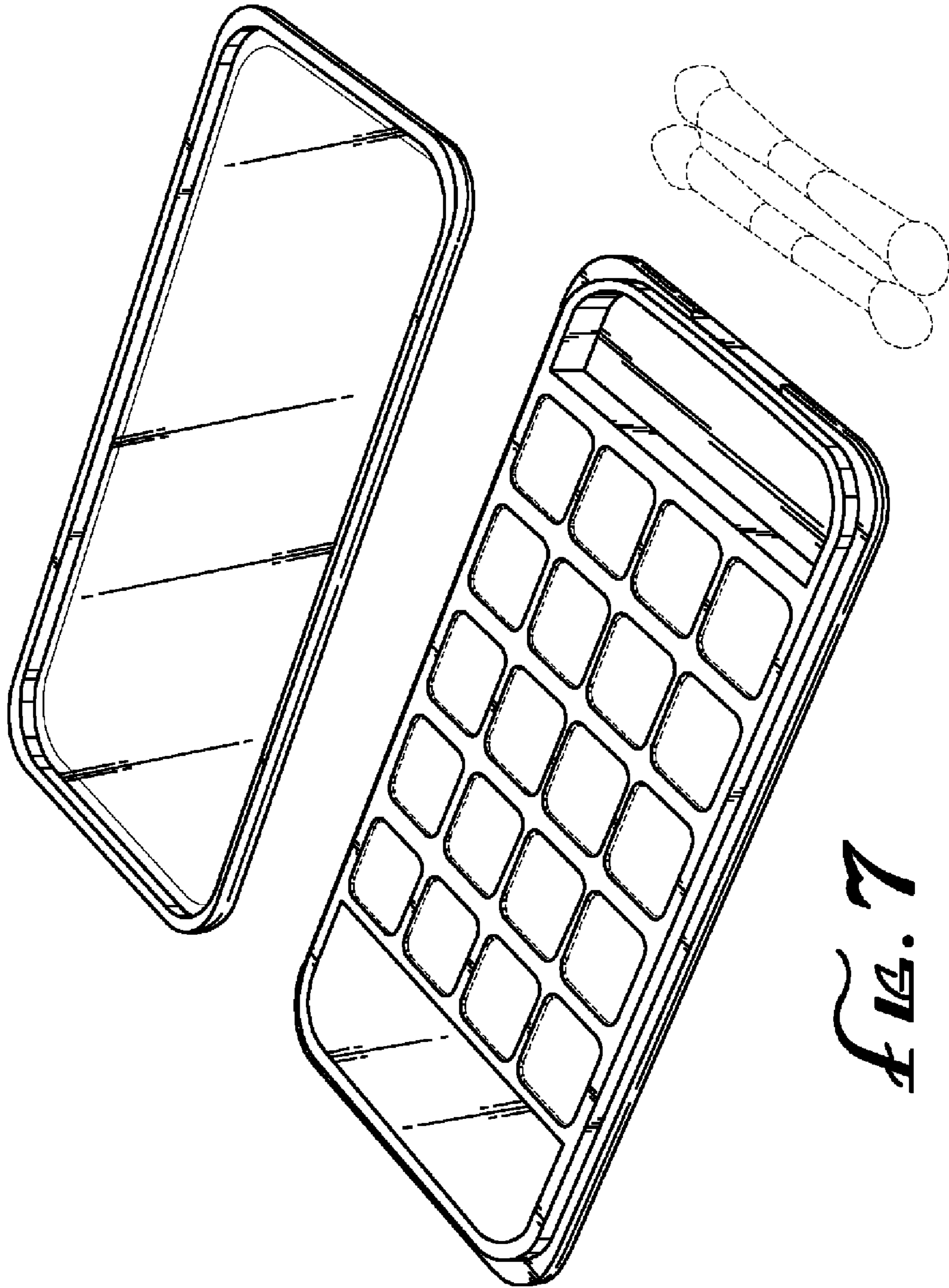


Fig. 7