



US00D621542S

(12) **United States Design Patent**  
**Klus**

(10) **Patent No.:** **US D621,542 S**

(45) **Date of Patent:** **\*\* Aug. 10, 2010**

(54) **LED-BASED LINEAR LIGHTING APPARATUS HOUSING**

(76) Inventor: **Sylwester Klus**, Swierkowa 6, 05-502, Kamionka (PL) 3

(\*\*) Term: **14 Years**

(21) Appl. No.: **29/350,336**

(22) Filed: **Nov. 13, 2009**

(51) **LOC (9) Cl.** ..... **26-99**

(52) **U.S. Cl.** ..... **D26/138**

(58) **Field of Classification Search** ..... D13/179, D13/180; D16/101, 135; D25/122, 124; D26/9, 11, 22, 25, 56, 67, 71, 72, 74, 76, D26/79, 84, 85, 88, 89, 113, 118, 119, 120, D26/121, 122, 123, 124, 128, 129, 130, 134, D26/137, 138, 139, 140, 141, 142, 152; 52/844; 359/811, 819; 362/145, 152, 219, 240, 241, 362/249.01, 249.02, 249.03, 249.04, 249.05, 362/249.06, 249.07, 249.08, 249.09, 249.1, 362/547, 555

See application file for complete search history.

(56) **References Cited**

U.S. PATENT DOCUMENTS

1,941,079 A \* 12/1933 Exelmans ..... 362/224  
D130,955 S \* 12/1941 Smally ..... D26/122  
D247,194 S \* 2/1978 Win ..... D26/152  
5,113,329 A \* 5/1992 Lin ..... 362/238  
5,499,170 A \* 3/1996 Gagne ..... 362/84  
D384,178 S \* 9/1997 Costa ..... D26/76  
6,033,088 A \* 3/2000 Contigiani ..... 362/249.14  
D445,211 S \* 7/2001 Baker ..... D26/76  
6,276,634 B1 \* 8/2001 Bodle ..... 244/118.5  
6,361,186 B1 \* 3/2002 Slayden ..... 362/241  
6,561,690 B2 \* 5/2003 Balestrieri et al. .... 362/555

6,609,813 B1 \* 8/2003 Showers et al. .... 362/240  
6,659,623 B2 \* 12/2003 Friend ..... 362/249.06  
6,929,382 B2 \* 8/2005 Kuisma ..... 362/219  
7,159,997 B2 \* 1/2007 Reo et al. .... 362/240  
7,192,161 B1 \* 3/2007 Cleaver et al. .... 362/260  
7,244,058 B2 \* 7/2007 DiPenti et al. .... 362/547  
7,267,461 B2 \* 9/2007 Kan et al. .... 362/373  
7,303,310 B2 \* 12/2007 You et al. .... 362/240  
7,331,689 B2 \* 2/2008 Chen ..... 362/240  
D578,705 S \* 10/2008 Aberg et al. .... D26/138  
D600,401 S \* 9/2009 Varrin ..... D26/138  
D603,079 S \* 10/2009 Toot et al. .... D26/76  
7,604,376 B2 \* 10/2009 Sloan et al. .... 362/246  
2003/0174517 A1 \* 9/2003 Kiraly et al. .... 362/555  
2006/0146531 A1 \* 7/2006 Reo et al. .... 362/244  
2008/0030981 A1 \* 2/2008 Mrakovich et al. .... 362/219  
2009/0207602 A1 \* 8/2009 Reed et al. .... 362/225  
2009/0219713 A1 \* 9/2009 Siemiet et al. .... 362/218

\* cited by examiner

*Primary Examiner*—Cathron C Brooks  
*Assistant Examiner*—Kevin K Rudzinski  
(74) *Attorney, Agent, or Firm*—Mark Terry

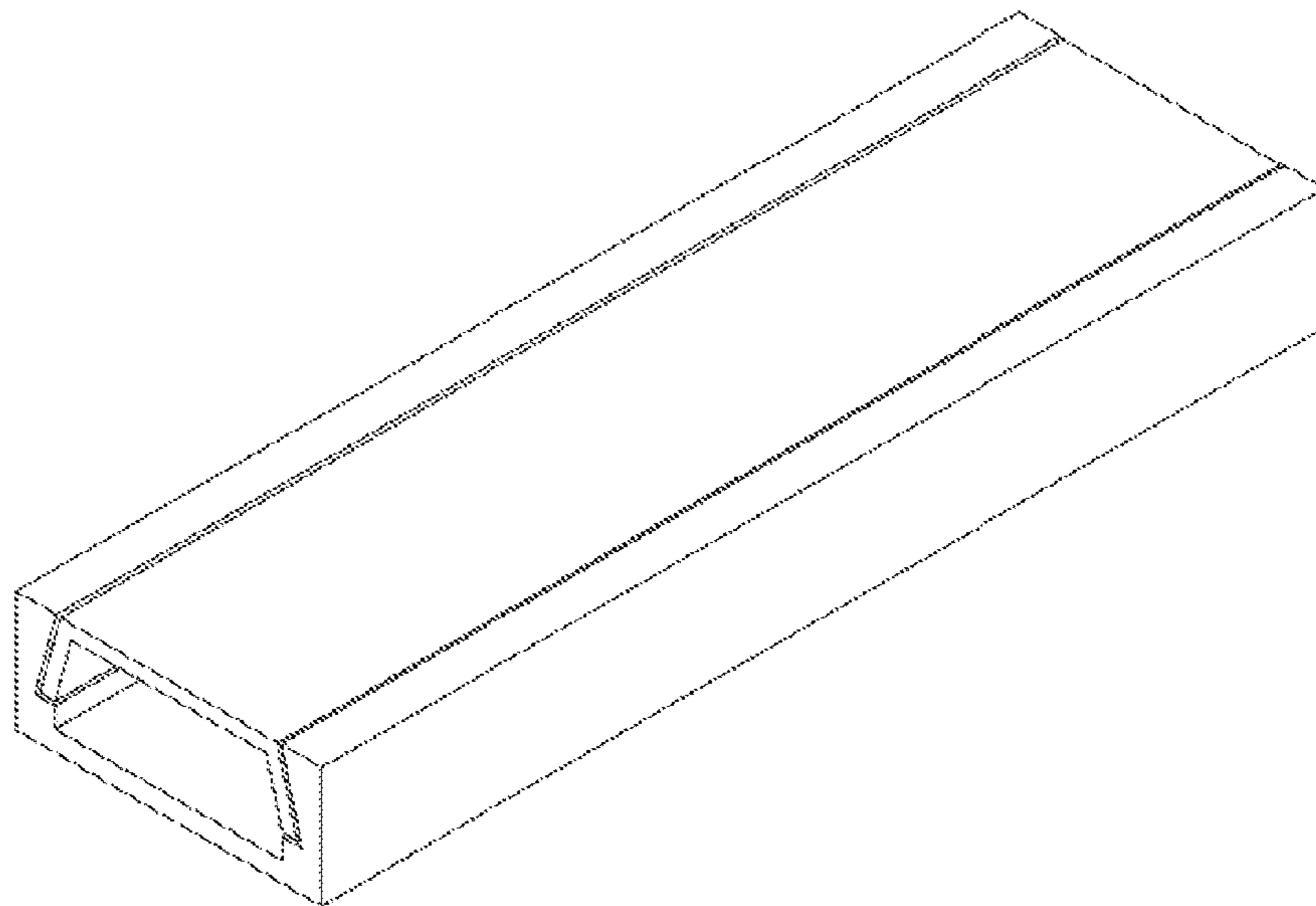
(57) **CLAIM**

The ornamental design for the LED-based linear lighting apparatus housing, as shown and described.

**DESCRIPTION**

FIG. 1 is a front view of the LED-based linear lighting apparatus housing showing the new design;  
FIG. 2 is a side view thereof;  
FIG. 3 is a top perspective view thereof;  
FIG. 4 is a bottom perspective view thereof.  
FIG. 5 is a top view thereof; and,  
FIG. 6 is a bottom view thereof.

**1 Claim, 6 Drawing Sheets**



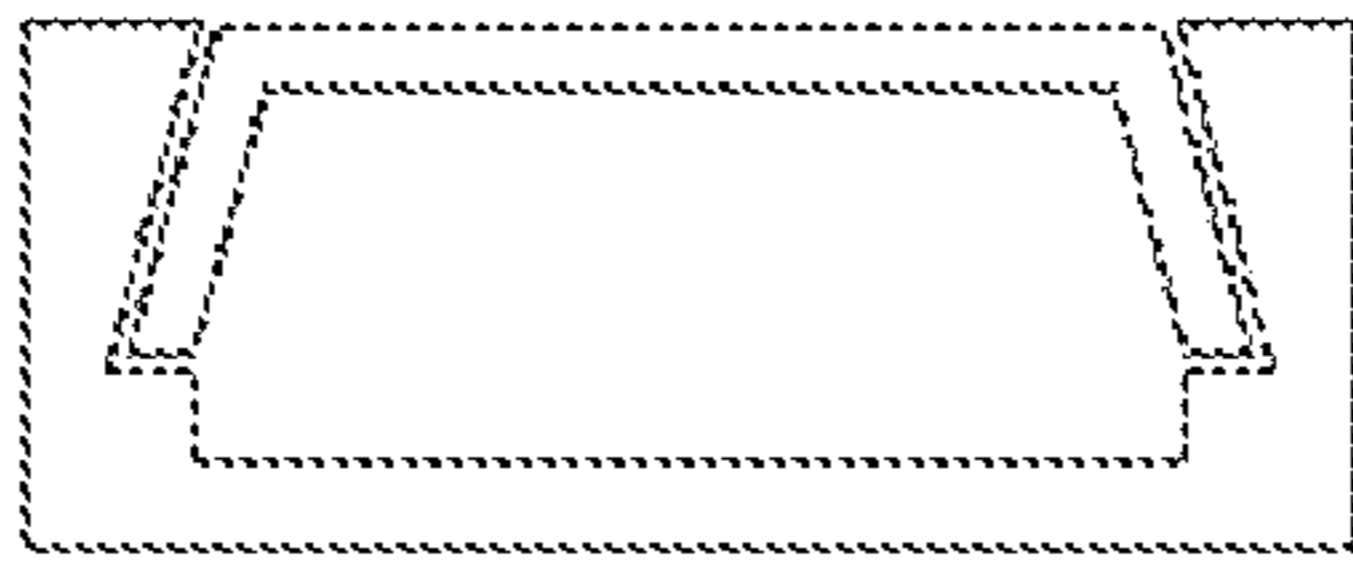


FIG.1



FIG.2

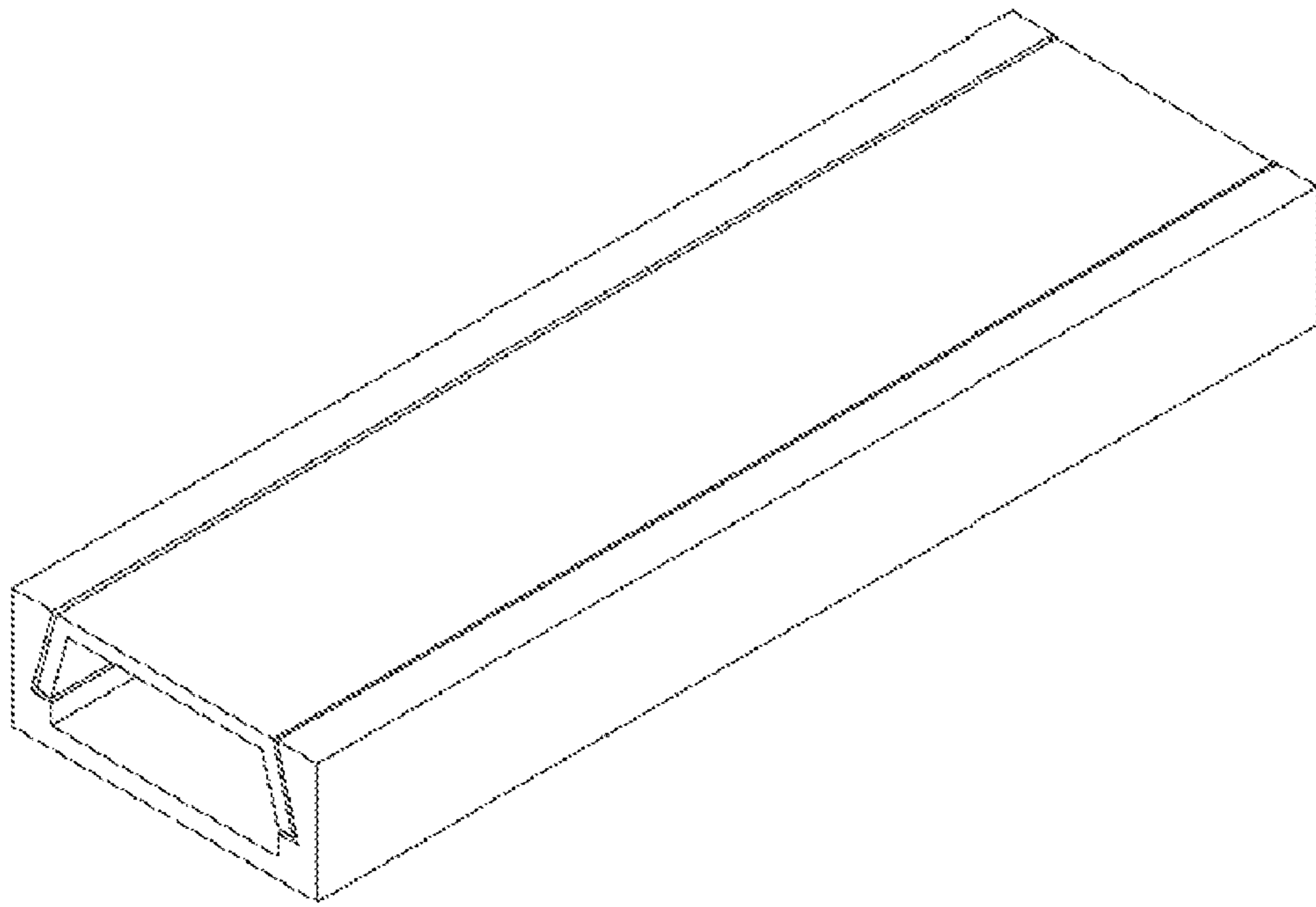


FIG.3

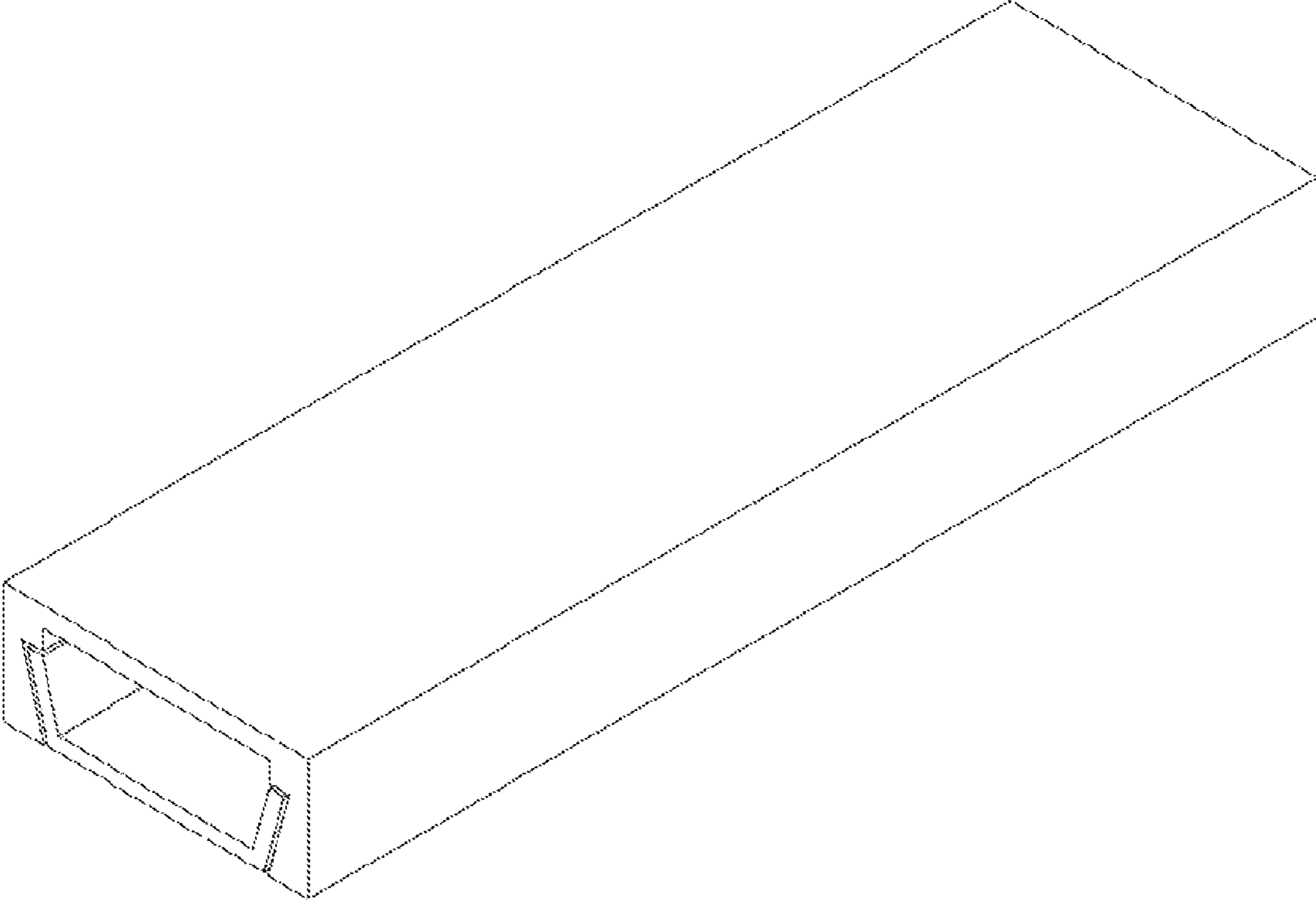


FIG.4

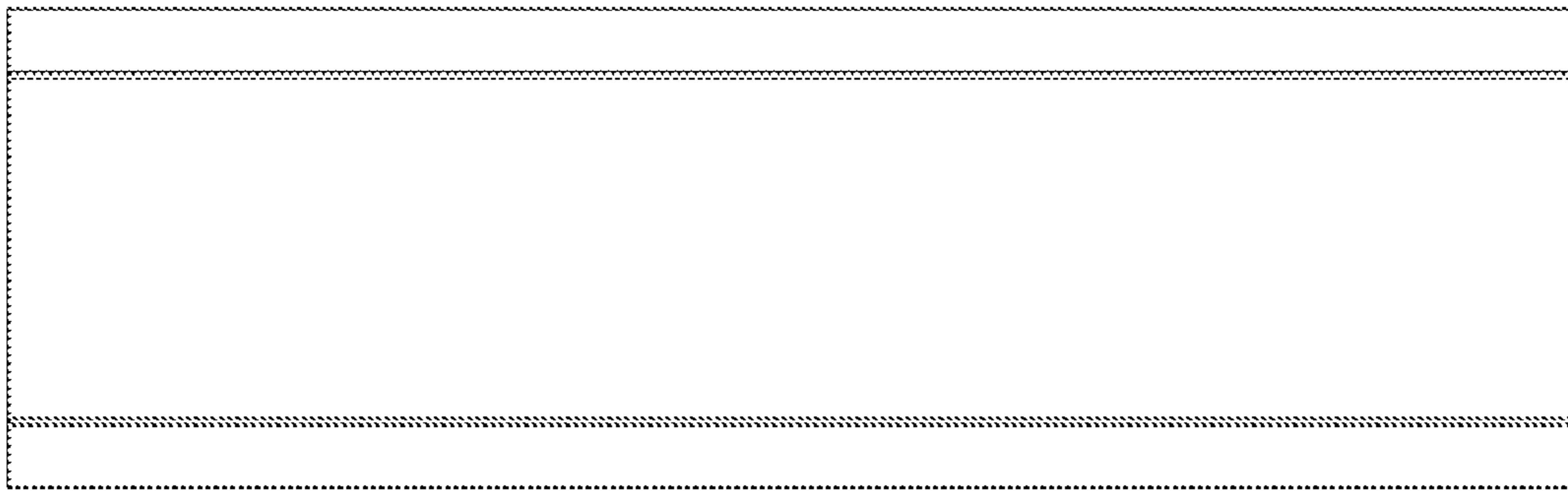


FIG.5

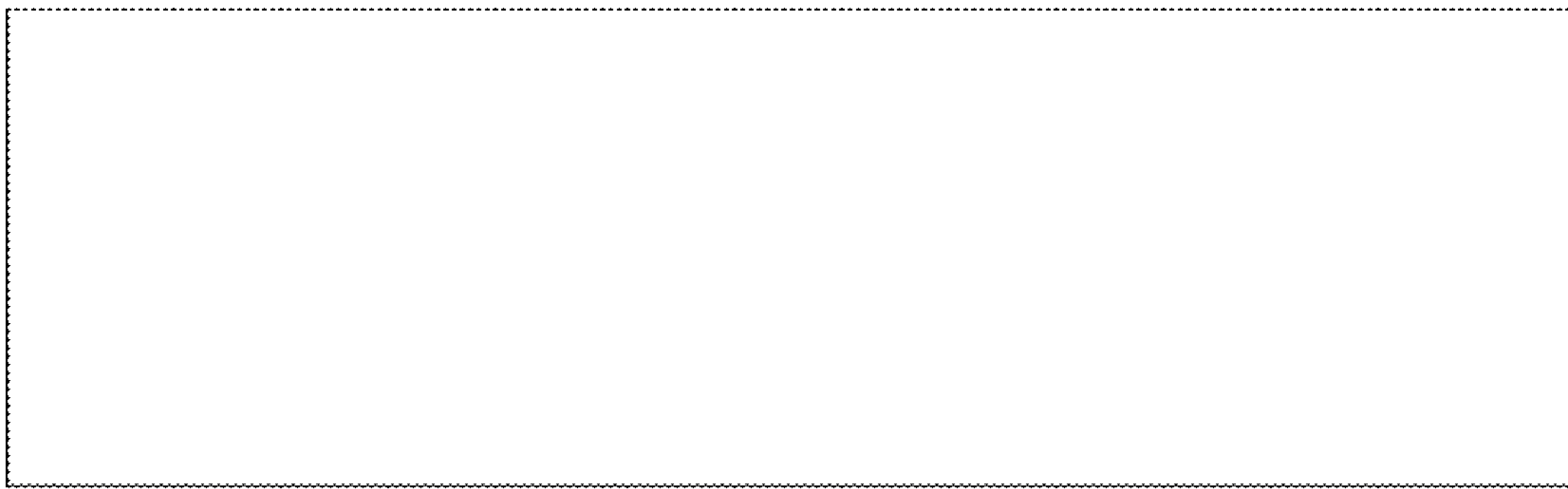


FIG.6