



US00D621541S

(12) **United States Design Patent**  
**Hamel**

(10) **Patent No.:** **US D621,541 S**

(45) **Date of Patent:** **\*\* Aug. 10, 2010**

(54) **SOLAR POWERED LIGHT**

2006/0018110 A1 1/2006 Chien

(76) Inventor: **Reginald A. Hamel**, 3 Michelle Dr.,  
Saint Albans, VT (US) 05478

\* cited by examiner

*Primary Examiner*—Brian N Vinson

(74) *Attorney, Agent, or Firm*—Paul R. Martin

(\*\*) Term: **14 Years**

(21) Appl. No.: **29/316,701**

(57) **CLAIM**

(22) Filed: **Oct. 23, 2009**

The ornamental design for a solar powered light, as shown and described.

(51) **LOC (9) Cl.** ..... **23-03**

(52) **U.S. Cl.** ..... **D26/93**

(58) **Field of Classification Search** ..... D26/1,  
D26/24, 67-6, 93-94, 101, 104-110, 113,  
D26/118; 362/3, 153, 186, 217, 255, 257,  
362/277, 317, 351, 353, 362, 363, 382, 431,  
362/433, 458, 806

See application file for complete search history.

**DESCRIPTION**

FIG. 1 is a perspective view of the solar powered light of this invention.

FIG. 2 is an elevational view of the front of the solar powered light of this invention shown in FIG. 1.

FIG. 3 is a top view of the solar powered light shown in FIG. 2.

FIG. 4 is a side view of the solar powered light shown in FIG. 2.

FIG. 5 is an elevational view of the rear of the solar powered light shown in FIG. 1.

FIG. 6 is a side view of the solar powered light shown in FIG. 5; and,

FIG. 7 is a bottom view of the solar powered light shown in FIG. 5.

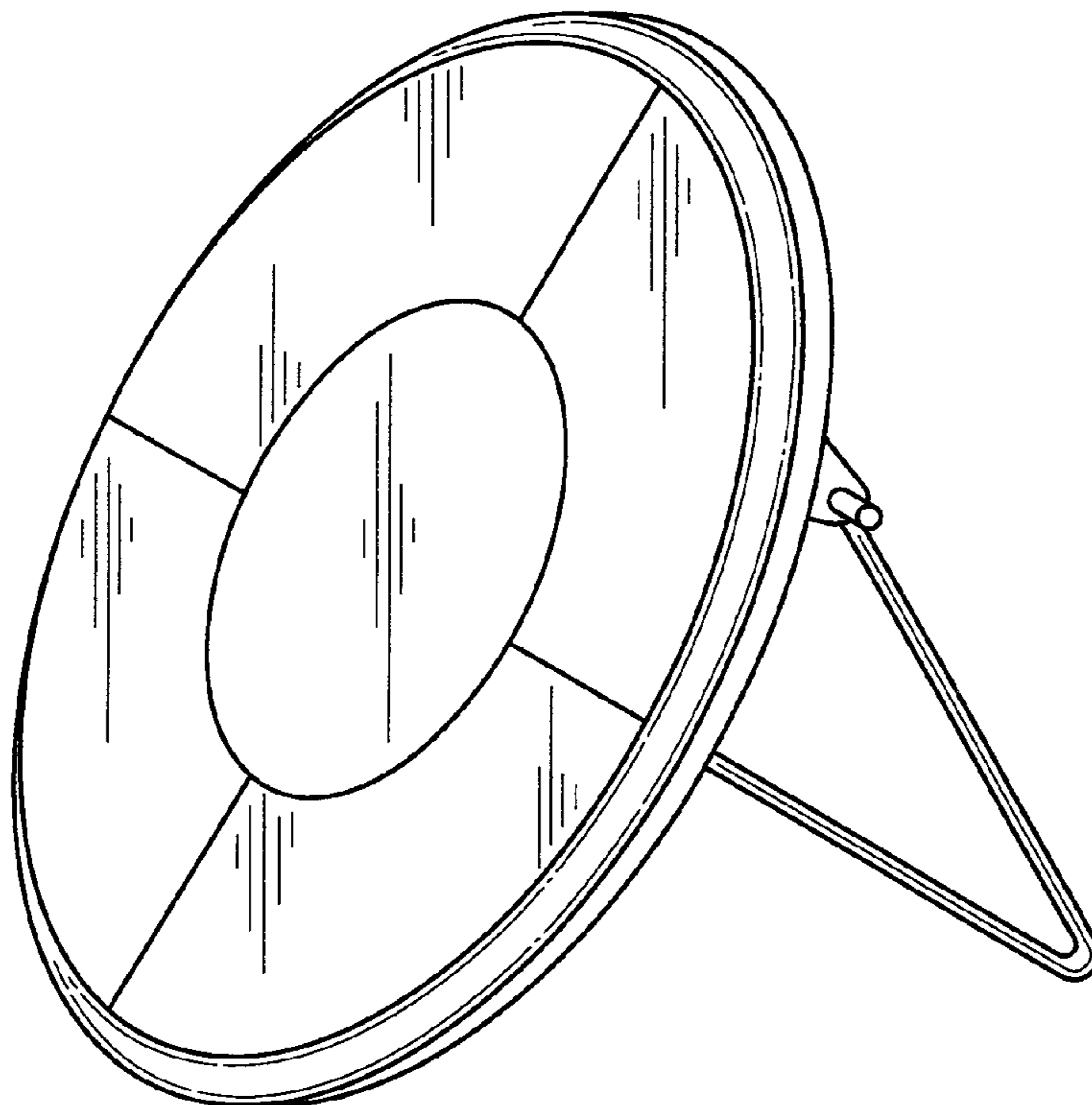
The broken-line disclosure in the views is understood to represent portions of the article in which the claimed design is embodied, but which forms no part of the claimed design.

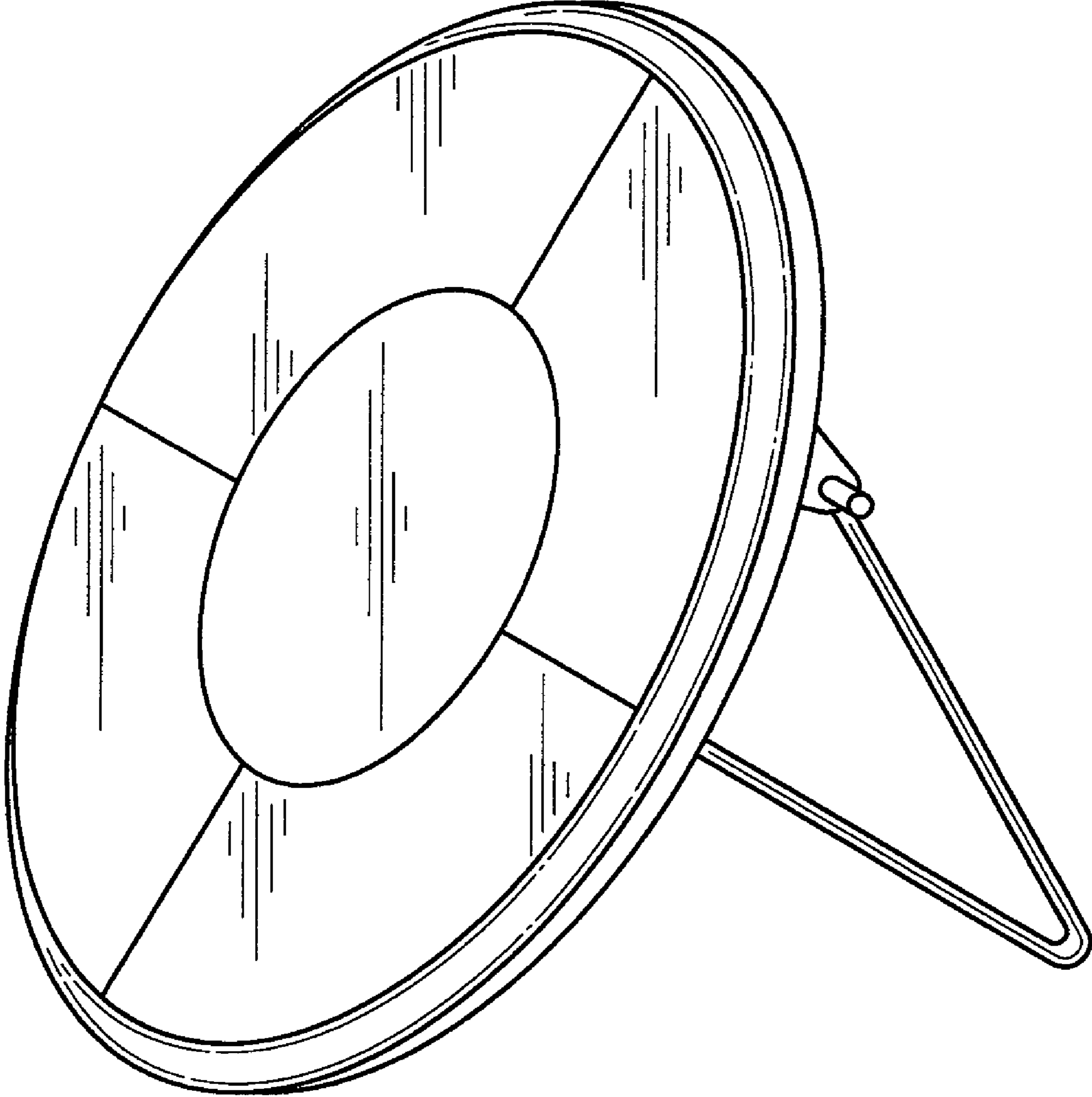
(56) **References Cited**

U.S. PATENT DOCUMENTS

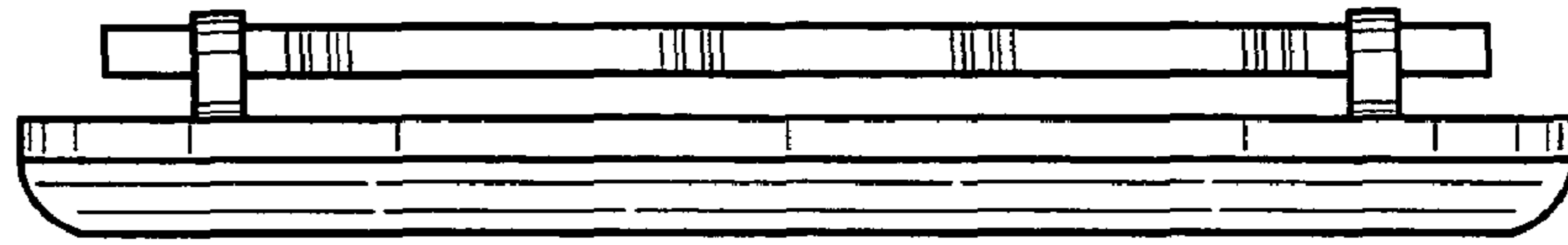
|              |         |               |       |        |
|--------------|---------|---------------|-------|--------|
| D291,926 S * | 9/1987  | Schlepp       | ..... | D26/67 |
| D298,469 S * | 11/1988 | Melrose       | ..... | D26/24 |
| 4,841,416 A  | 6/1989  | Doss          |       |        |
| D309,787 S * | 8/1990  | Chien         | ..... | D26/67 |
| 5,618,100 A  | 4/1997  | Glynn         |       |        |
| D430,332 S * | 8/2000  | Hsieh         | ..... | D26/93 |
| D443,383 S * | 6/2001  | Shih          | ..... | D26/93 |
| D501,573 S * | 2/2005  | Benensohn     | ..... | D26/89 |
| D532,142 S * | 11/2006 | Matsui et al. | ..... | D26/80 |
| D549,386 S * | 8/2007  | Zuloff        | ..... | D26/93 |
| D576,753 S * | 9/2008  | Mukai         | ..... | D26/24 |
| D609,851 S * | 2/2010  | Choi          | ..... | D26/93 |

**1 Claim, 3 Drawing Sheets**

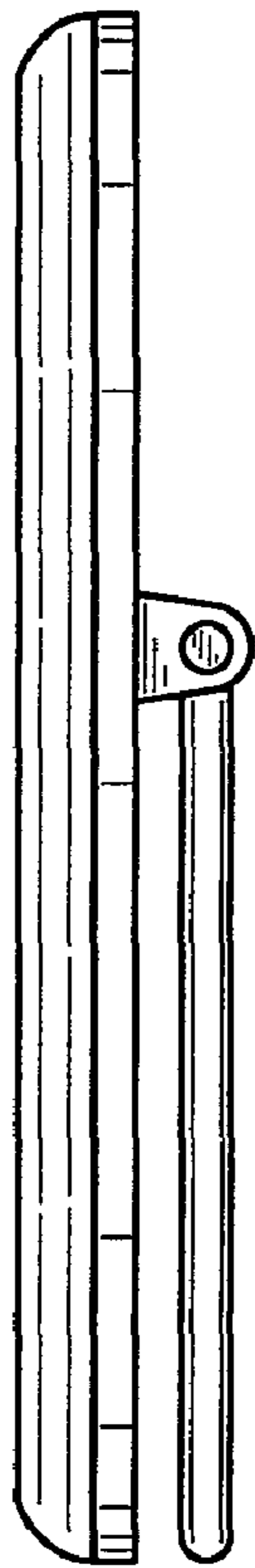




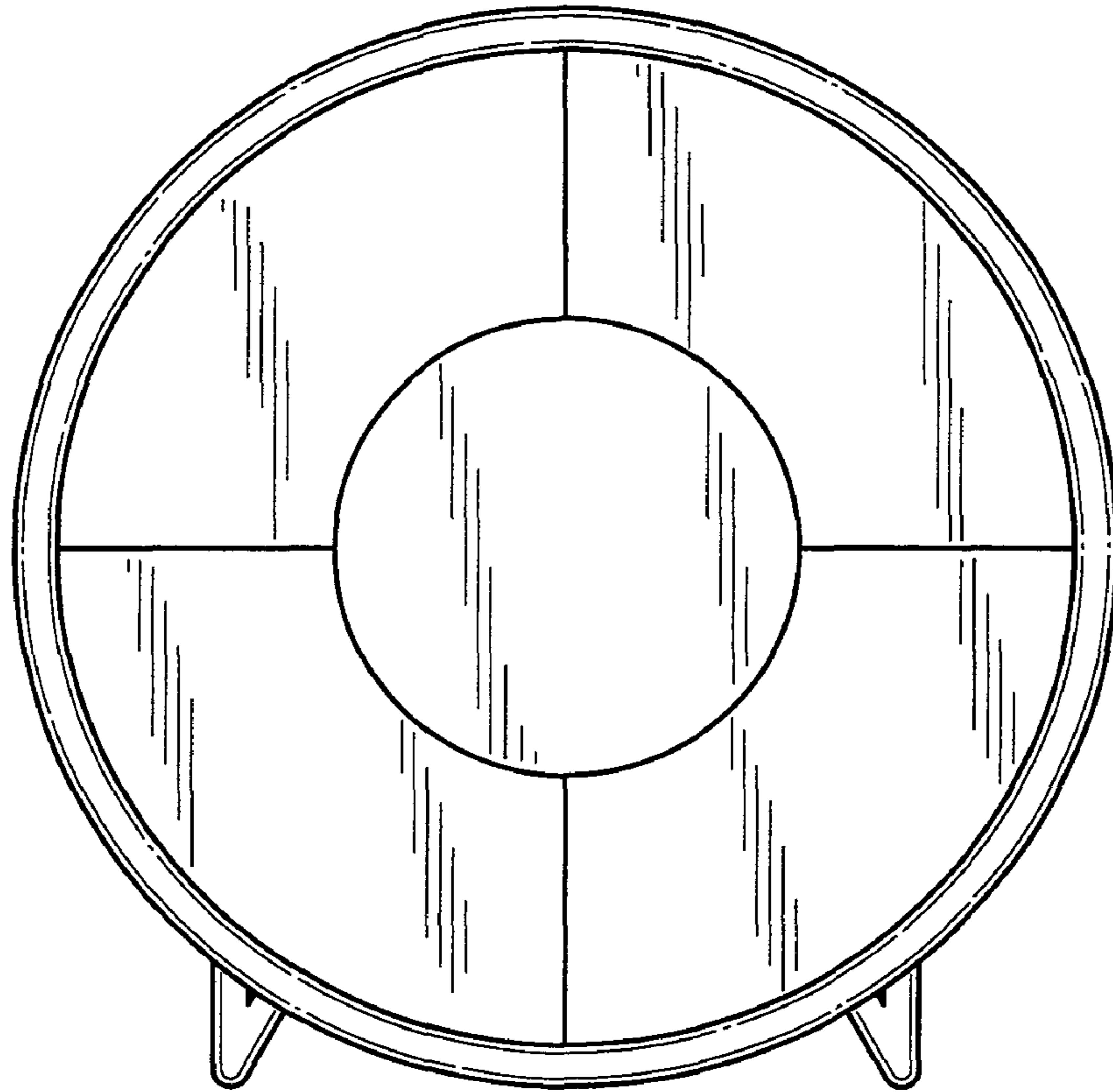
*FIG. 1*



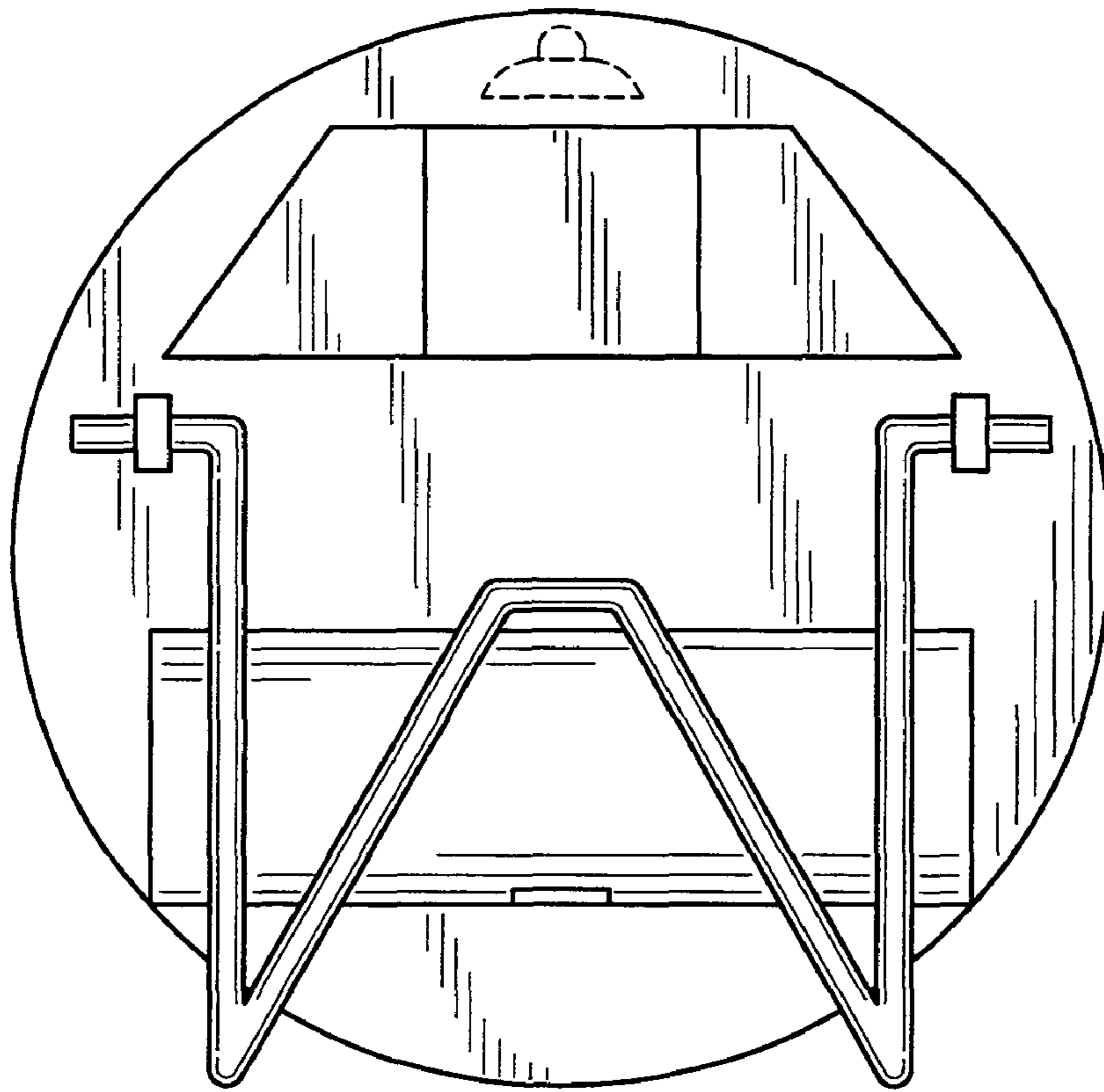
*FIG. 3*



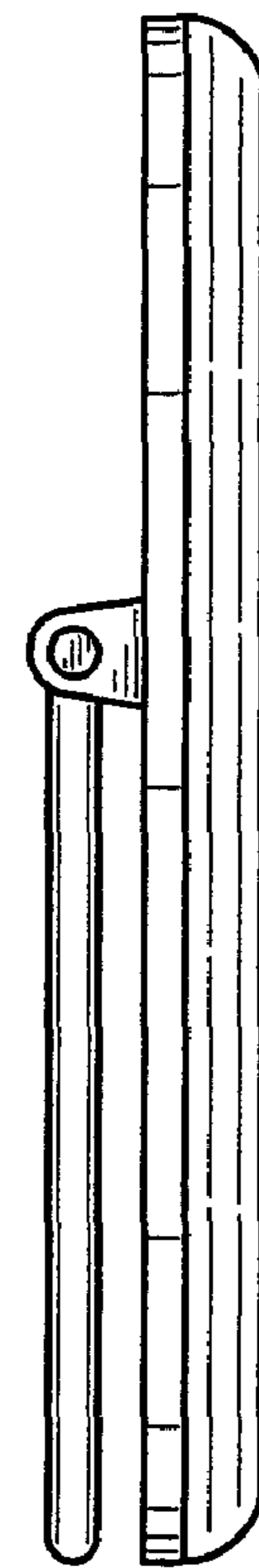
*FIG. 4*



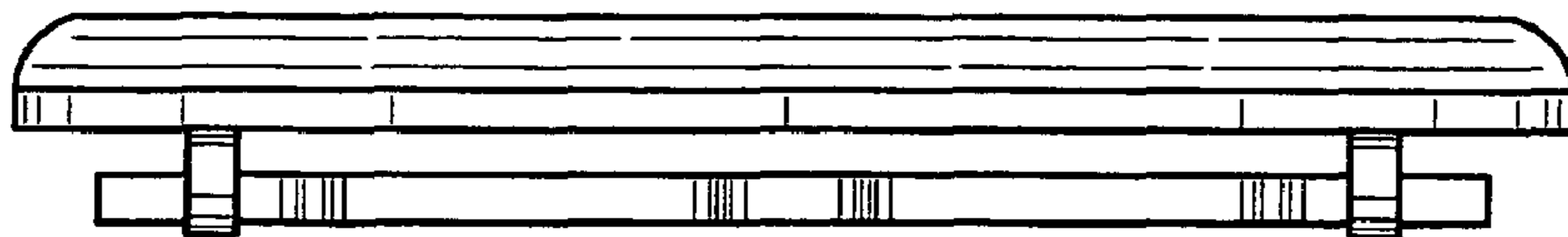
*FIG. 2*



*FIG. 5*



*FIG. 6*



*FIG. 7*