



US00D621538S

(12) **United States Design Patent**  
**Bushee**

(10) **Patent No.:** **US D621,538 S**

(45) **Date of Patent:** **\*\* Aug. 10, 2010**

(54) **MULTIFUNCTION FLASHLIGHT**

(76) **Inventor:** **Glenn Bushee**, 1145 Franklin St.,  
Duxbury, MA (US) 02332

(\*\*) **Term:** **14 Years**

(21) **Appl. No.:** **29/316,954**

(22) **Filed:** **Nov. 12, 2009**

(51) **LOC (9) Cl.** ..... **26-02**

(52) **U.S. Cl.** ..... **D26/49**

(58) **Field of Classification Search** ..... D26/37,  
D26/38, 39, 42, 46, 49, 50; 362/157, 158,  
362/183, 184, 187-196, 200-208

See application file for complete search history.

(56) **References Cited**

**U.S. PATENT DOCUMENTS**

D523,163 S *	6/2006	Man	.....	D26/49
D554,281 S *	10/2007	Bushee et al.	.....	D26/37
D566,314 S *	4/2008	Jen	.....	D26/49
D577,843 S *	9/2008	Couture et al.	.....	D26/49
D595,439 S *	6/2009	Haight et al.	.....	D26/49
D596,328 S *	7/2009	Shiu	.....	D26/49
D599,928 S *	9/2009	Shiu	.....	D26/49

D606,222 S *	12/2009	Gebhard	.....	D26/49
D606,689 S *	12/2009	Bent	.....	D26/48

\* cited by examiner

*Primary Examiner*—Ian Simmons

*Assistant Examiner*—Carissa C Fitts

(57) **CLAIM**

The ornamental design for a multifunction flashlight, as shown and described.

**DESCRIPTION**

FIG. 1 is a top front right perspective view of the multifunction flashlight showing the new design;

FIG. 2 is a top plan view thereof;

FIG. 3 is the left side elevation view thereof;

FIG. 4 is a bottom plan view thereof;

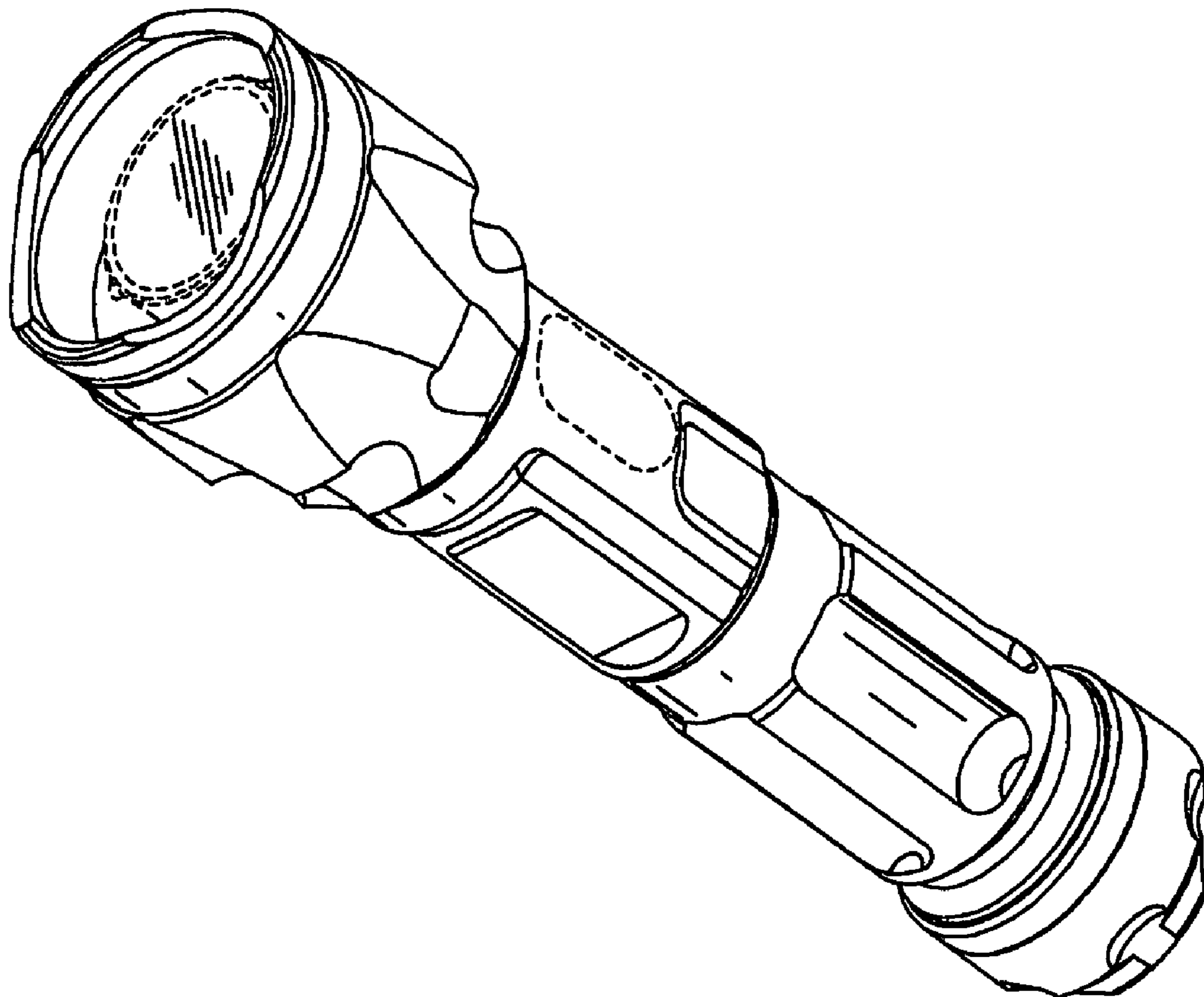
FIG. 5 is a right side elevation view thereof;

FIG. 6 is a front elevation view thereof; and,

FIG. 7 is a back side elevation view thereof.

The broken lines in the drawings are for illustrative purposes only and form no part of the claimed design;

**1 Claim, 6 Drawing Sheets**



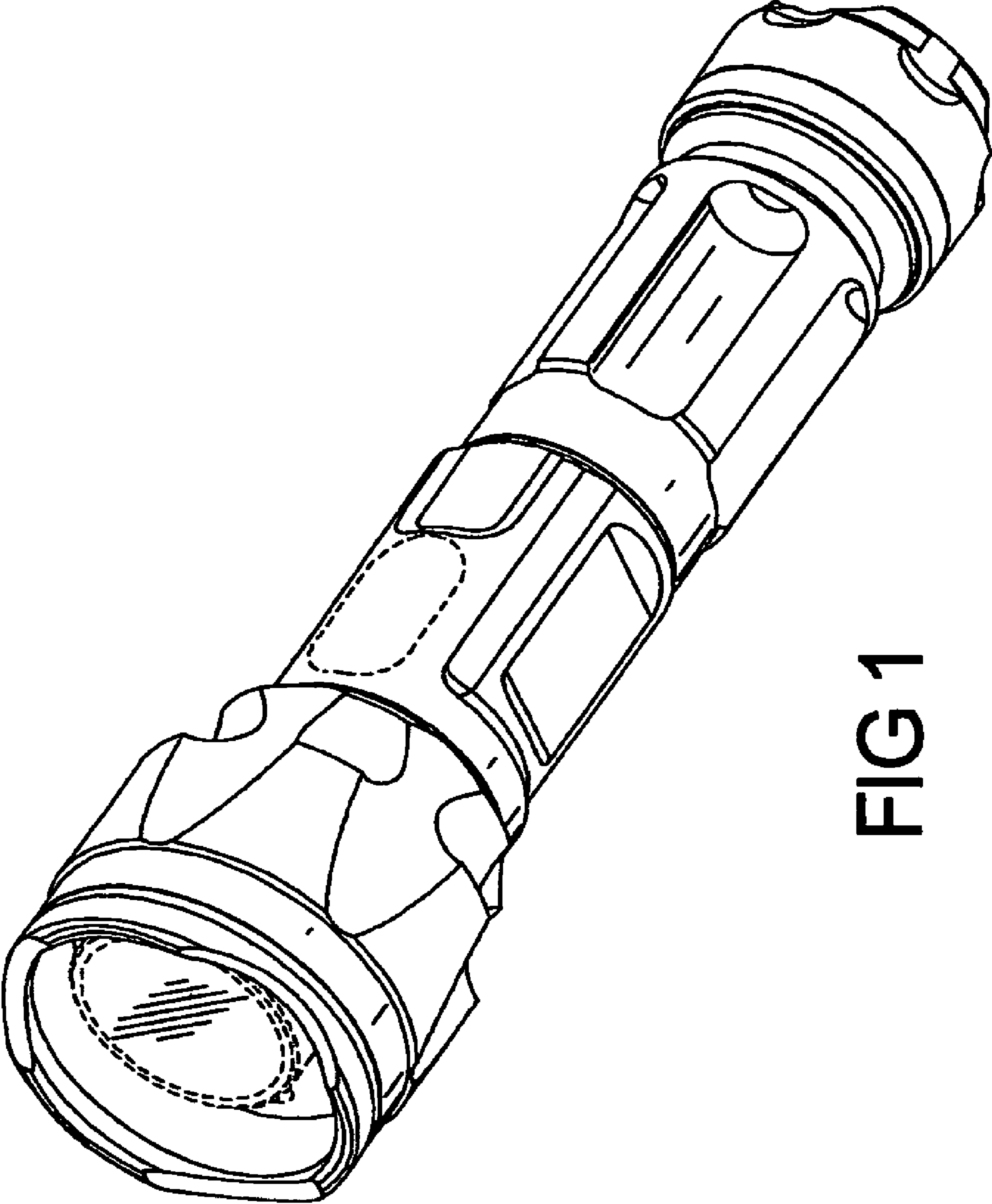


FIG 1

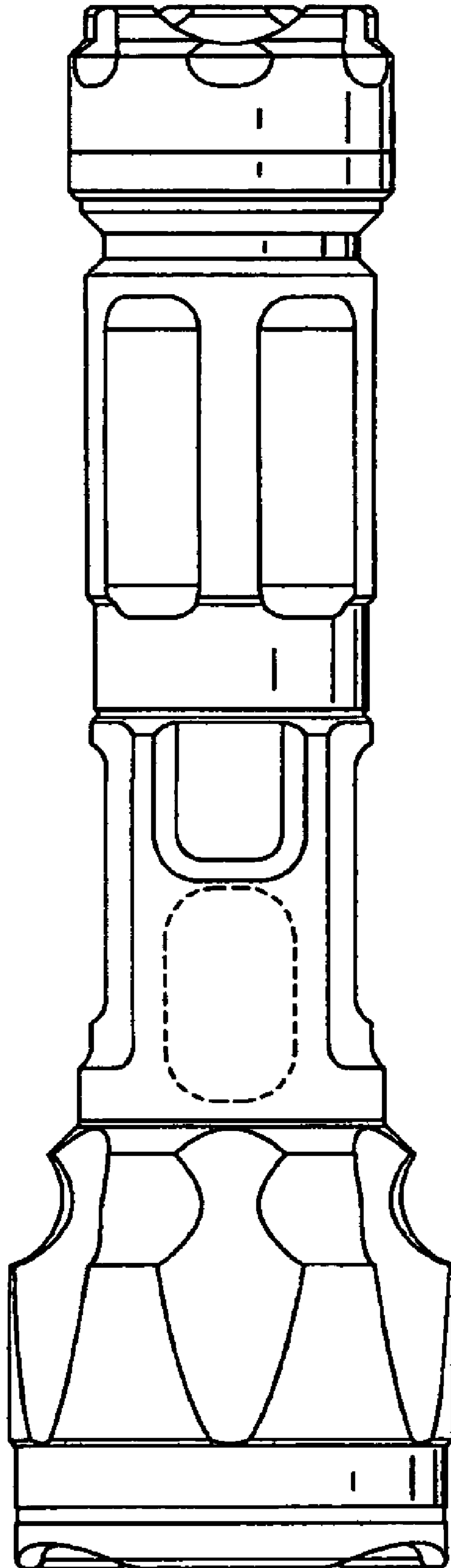


FIG 2

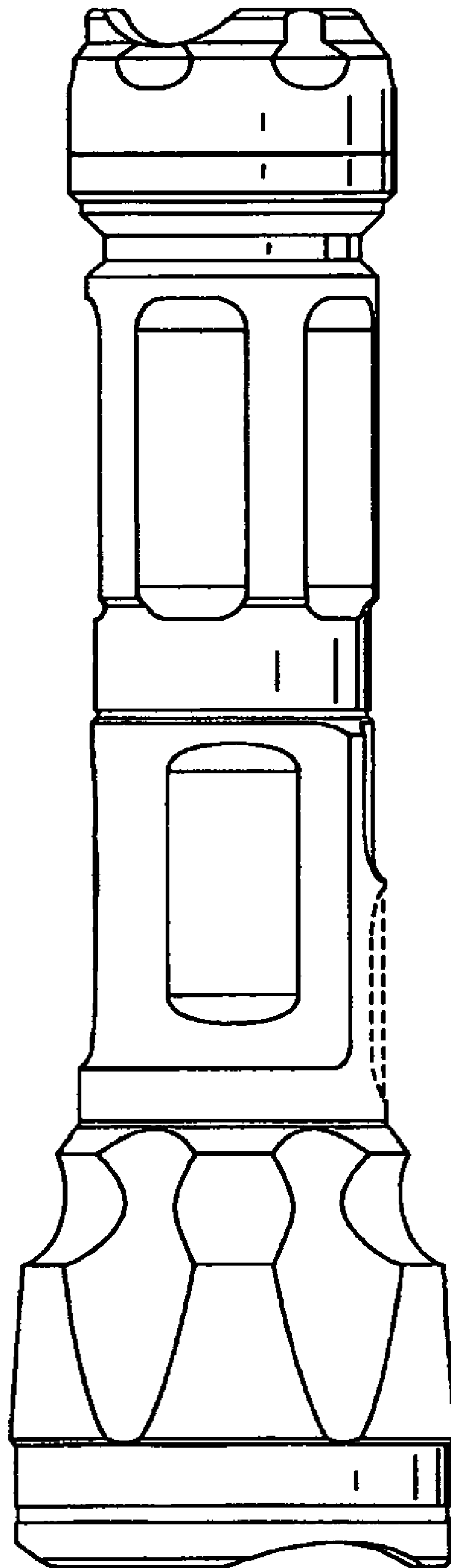


FIG 3

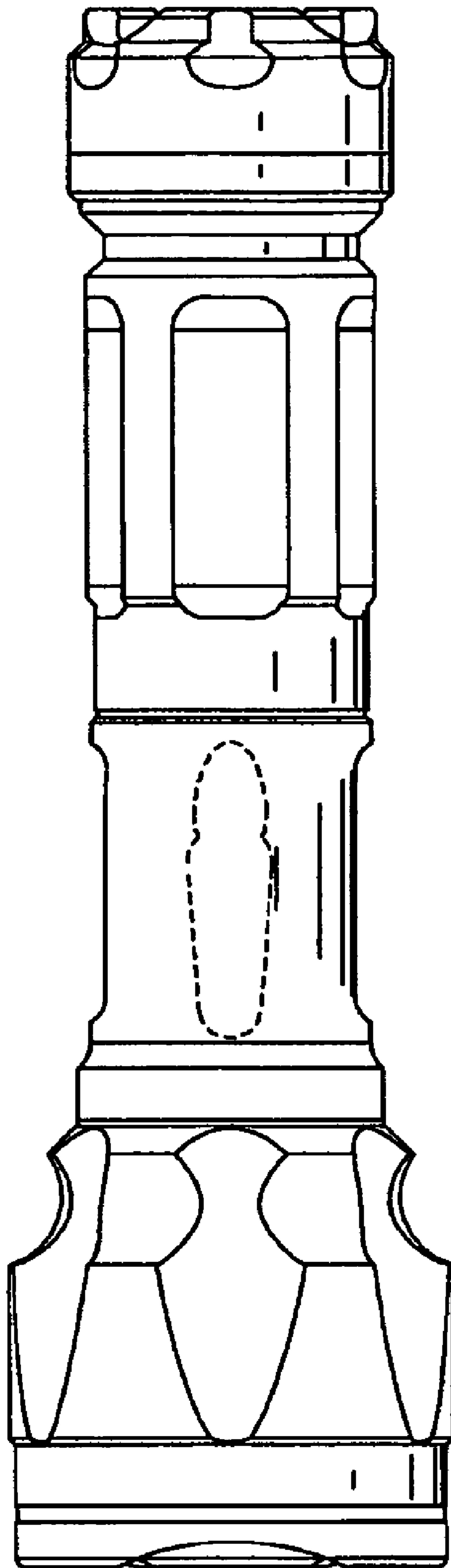


FIG 4

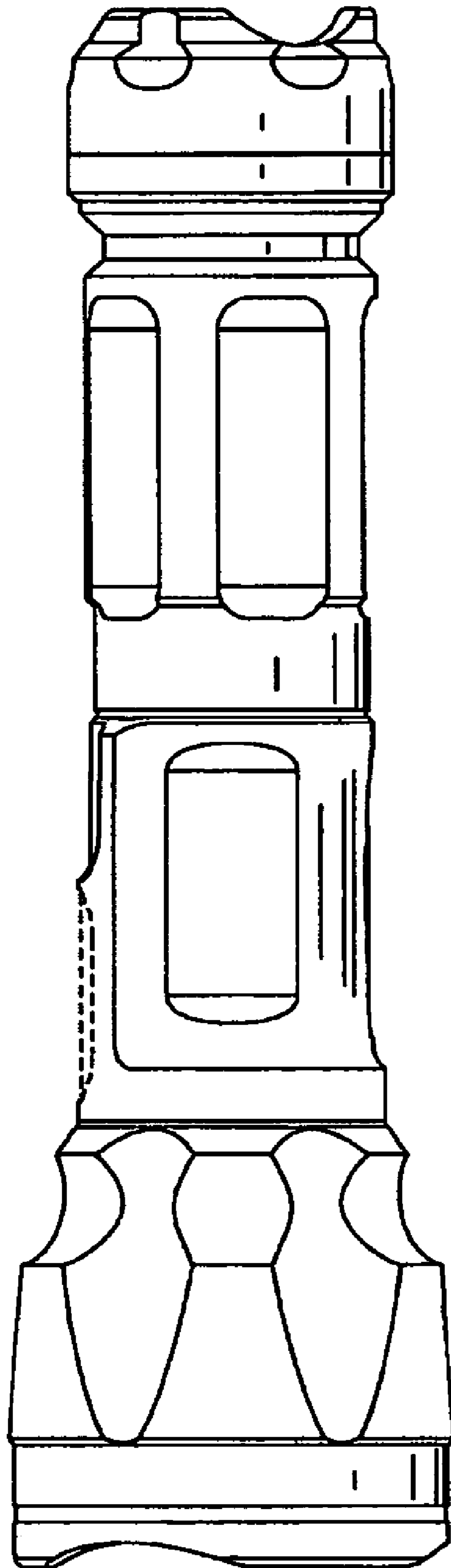
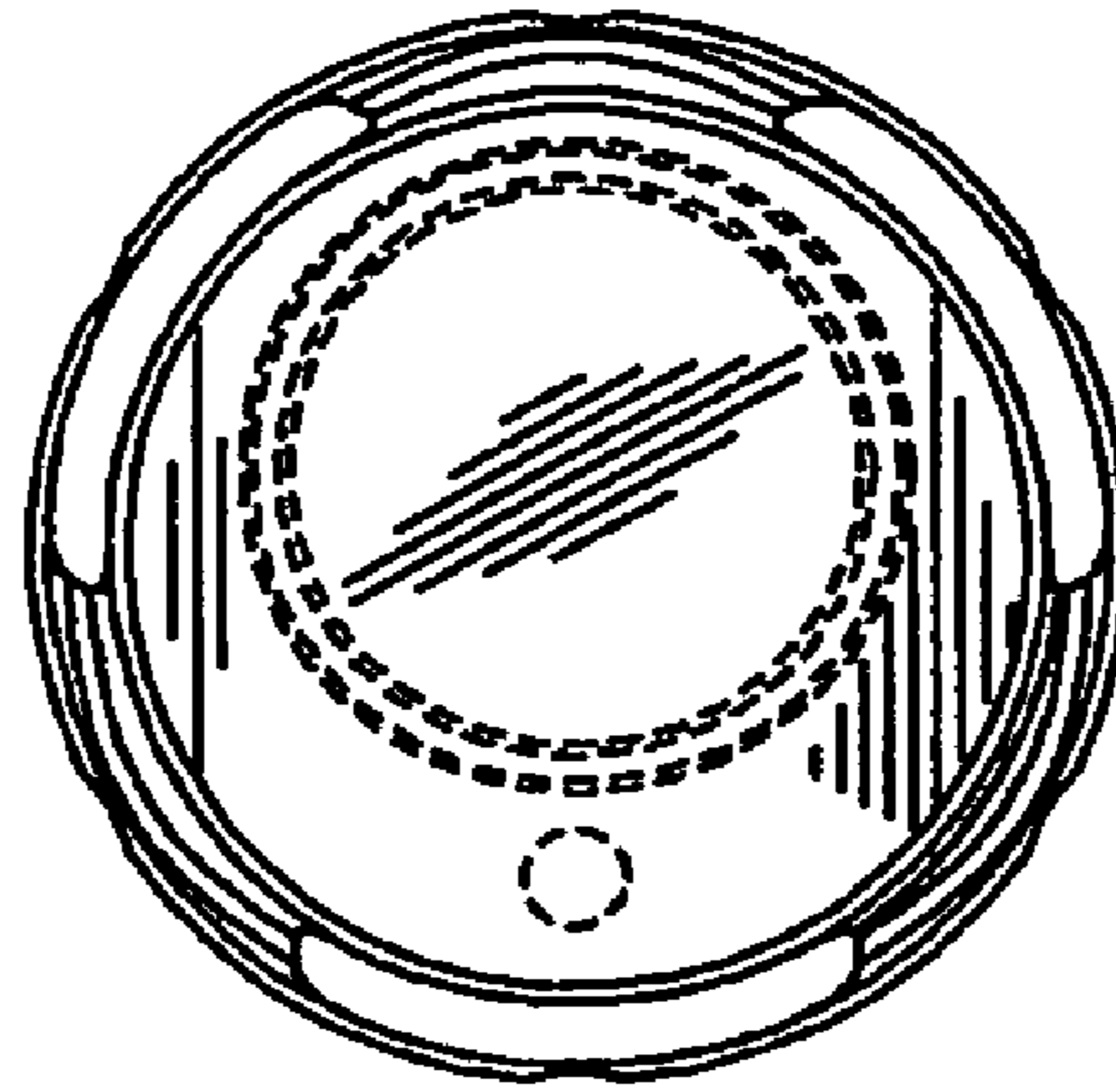
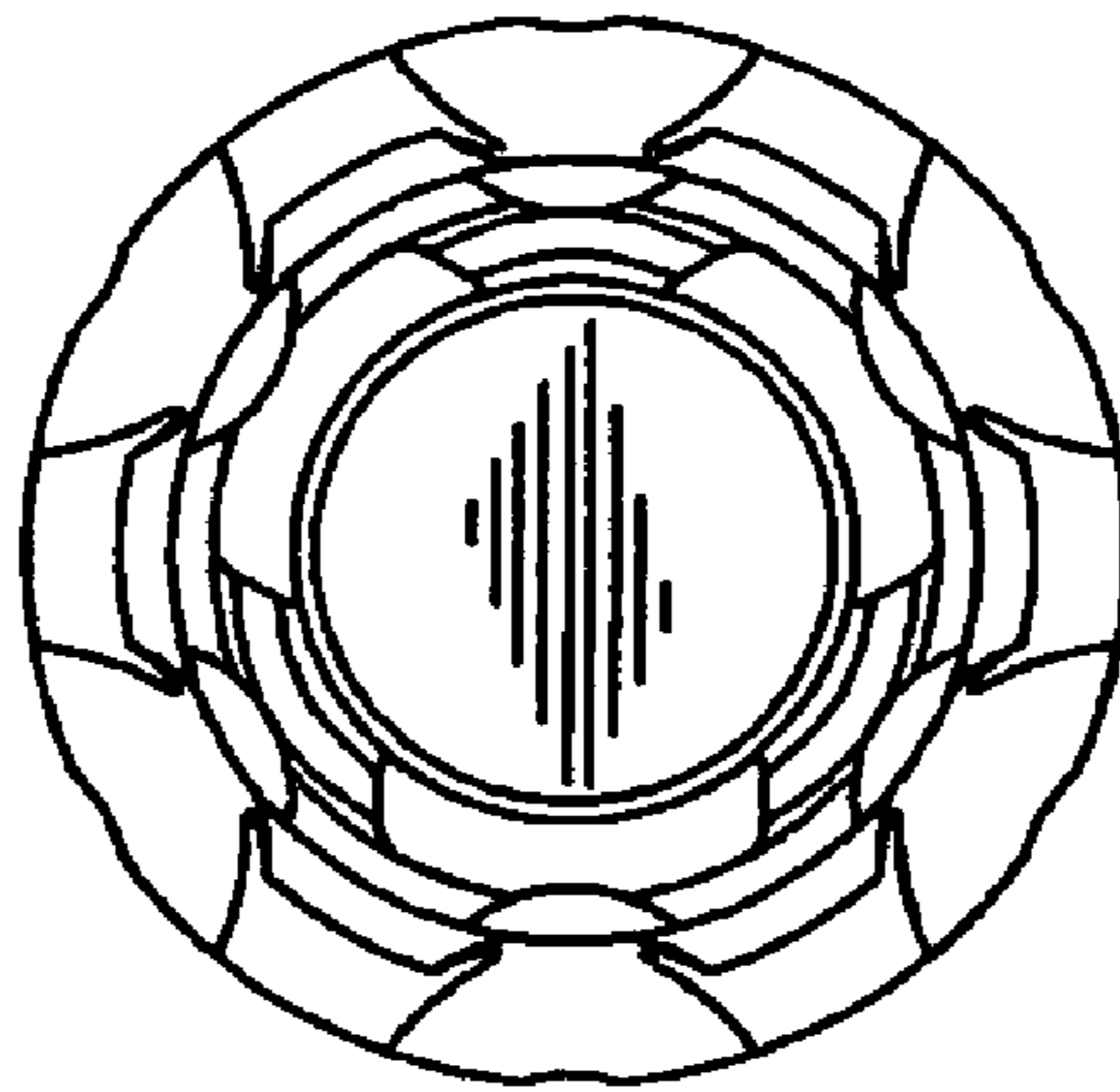


FIG 5



**FIG 6**



**FIG 7**