



US00D621537S

(12) **United States Design Patent**
Borovicka et al.

(10) **Patent No.:** **US D621,537 S**

(45) **Date of Patent:** **** Aug. 10, 2010**

(54) **FLEXIBLE GRILL LIGHT**

(75) Inventors: **Cory Thomas Borovicka**, San Francisco, CA (US); **Charles Adams**, Berkeley, CA (US)

(73) Assignee: **Charcoal Companion Incorporated**, Emeryville, CA (US)

(**) Term: **14 Years**

(21) Appl. No.: **29/335,515**

(22) Filed: **Apr. 16, 2009**

(51) **LOC (9) Cl.** **26-02**

(52) **U.S. Cl.** **D26/43**

(58) **Field of Classification Search** D26/43,
D26/51, 60-66, 128; 362/320, 576-577,
362/581, 640, 287, 288

See application file for complete search history.

(56) **References Cited**

U.S. PATENT DOCUMENTS

2,168,939	A	8/1939	Kraeft	
3,524,980	A	8/1970	Meloan	
4,238,816	A	12/1980	Merlo	
D290,519	S	6/1987	Kuo	
5,101,333	A	3/1992	Glassford	
D329,505	S	9/1992	Miller	
5,257,169	A	10/1993	Walendziak	
D350,211	S	8/1994	Clasby	
D364,935	S *	12/1995	deBlois	D26/43
D365,646	S *	12/1995	deBlois	D26/43
D366,711	S	1/1996	Clasby	
D371,855	S *	7/1996	Heun	D26/43
D374,496	S	10/1996	Small et al.	
D374,734	S *	10/1996	Esposito	D26/43
D379,542	S *	5/1997	Egashira	D26/43
D383,235	S	9/1997	Murch, Sr.	
5,664,875	A	9/1997	Hegedus	
D404,157	S *	1/1999	Carbone	D26/43
D405,549	S	2/1999	Taylor et al.	
5,921,669	A	7/1999	Taylor et al.	
6,073,623	A	6/2000	Maschhoff	

6,264,351	B1	7/2001	Taylor et al.	
6,568,838	B2	5/2003	Taylor et al.	
D476,106	S *	6/2003	Kim	D26/62
D489,839	S *	5/2004	Opolka	D26/43
D498,321	S *	11/2004	Terry	D26/60
6,851,820	B2	2/2005	Choi et al.	
6,851,824	B2	2/2005	Hsien	
6,935,327	B1	8/2005	Williams et al.	
7,008,072	B2	3/2006	Witzel et al.	
D522,679	S *	6/2006	Hodgson	D26/60
D527,137	S	8/2006	Urich	

(Continued)

OTHER PUBLICATIONS

Barbecue Lights, web page, www.pegasusassociates.com, Nov. 2, 2005.

(Continued)

Primary Examiner—Mitchell I Siegel

(74) *Attorney, Agent, or Firm*—Beeson Skinner Beverly

(57) **CLAIM**

The ornamental design for a flexible grill light, as shown and described.

DESCRIPTION

FIG. 1 is a top perspective view of a flexible grill light showing our new design;

FIG. 2 is a side elevation view thereof;

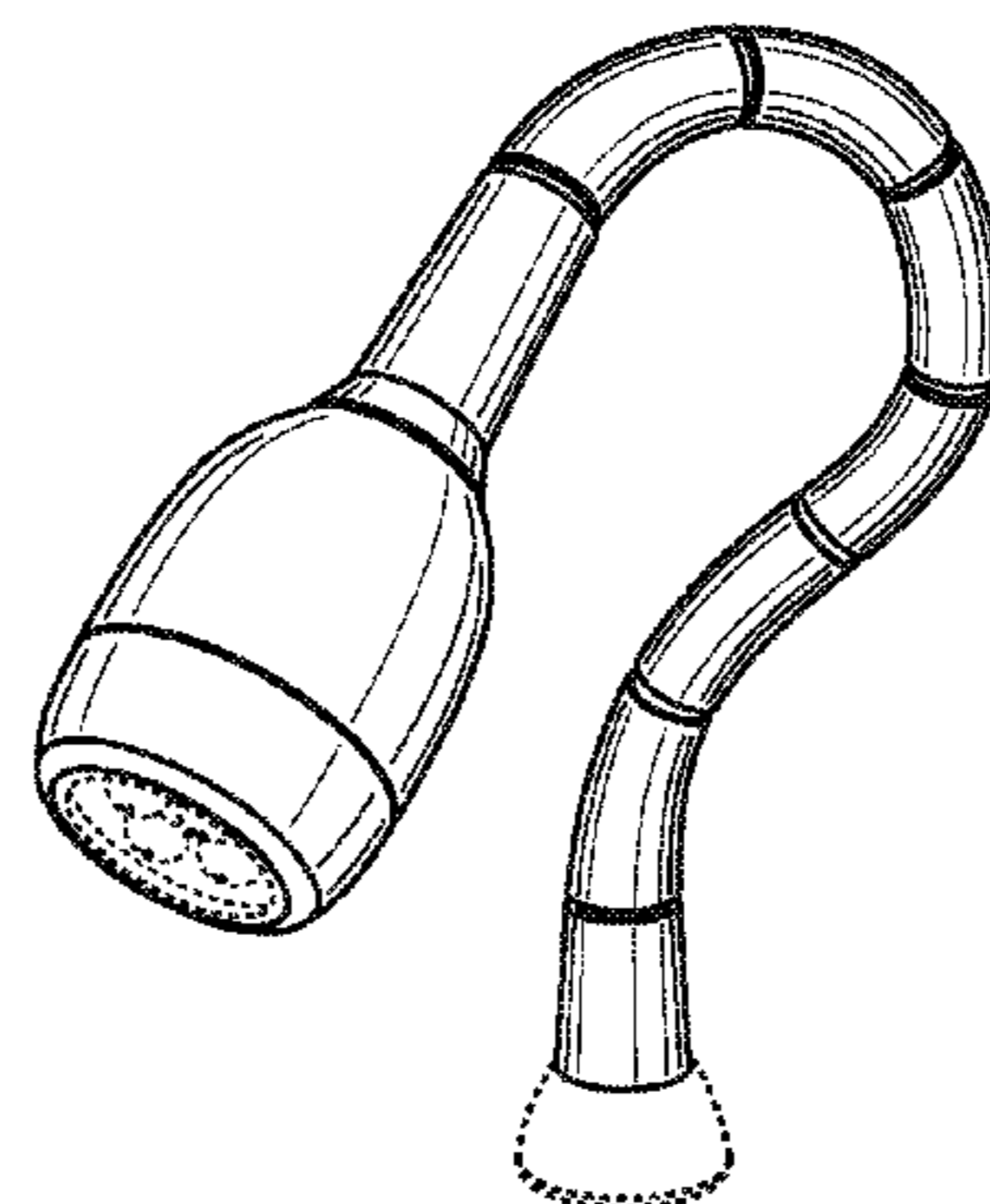
FIG. 3 is a top plan view thereof;

FIG. 4 is a bottom plan view thereof; and,

FIG. 5 is a top perspective view thereof showing the flexible grill light in a bent configuration.

The broken line showing of the base of the flexible grill light in FIGS. 1-2 and 4-5, and the LED lamps and lamp head face in FIGS. 1, 3, and 5, are for illustrative purposes only and form no part of our claimed design.

1 Claim, 2 Drawing Sheets



US D621,537 S

Page 2

U.S. PATENT DOCUMENTS

D531,339 S * 10/2006 Lee et al. D26/60
D535,046 S 1/2007 Smith et al.
D536,116 S * 1/2007 Sharrah D26/43
7,168,363 B1 1/2007 Brown
D536,467 S 2/2007 Geringer
D565,218 S * 3/2008 Chien D26/43
D574,100 S 7/2008 Leen
D574,988 S * 8/2008 Cheng et al. D26/63
D575,890 S * 8/2008 Montalbano et al. D26/62

D579,718 S 11/2008 Borovicka et al.
D595,086 S 6/2009 Borovicka et al.
2004/0228117 A1* 11/2004 Witzel et al. 362/92
2005/0155597 A1* 7/2005 Wolter et al. 362/92

OTHER PUBLICATIONS

Clip-On BBQ Light, web page, www.nu-temp.com/205.htm, Nov. 2, 2005.

* cited by examiner

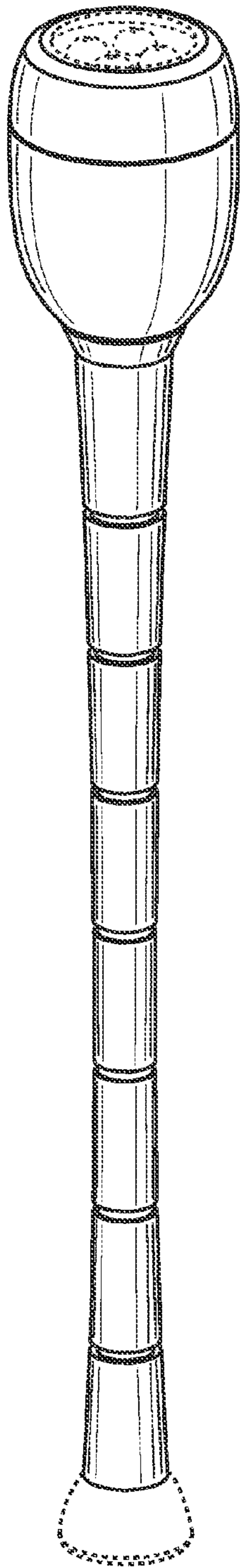


FIG. 1

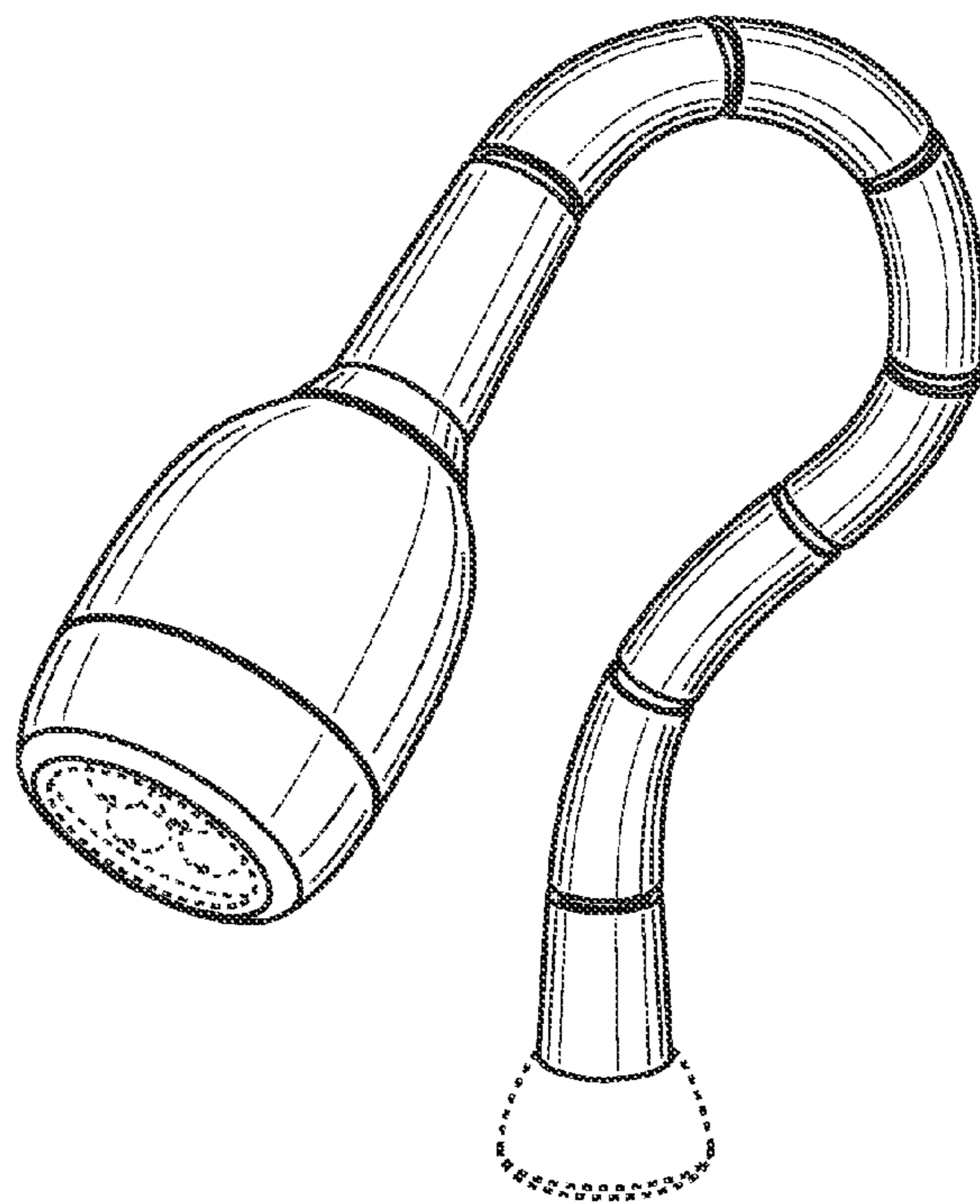


FIG. 5

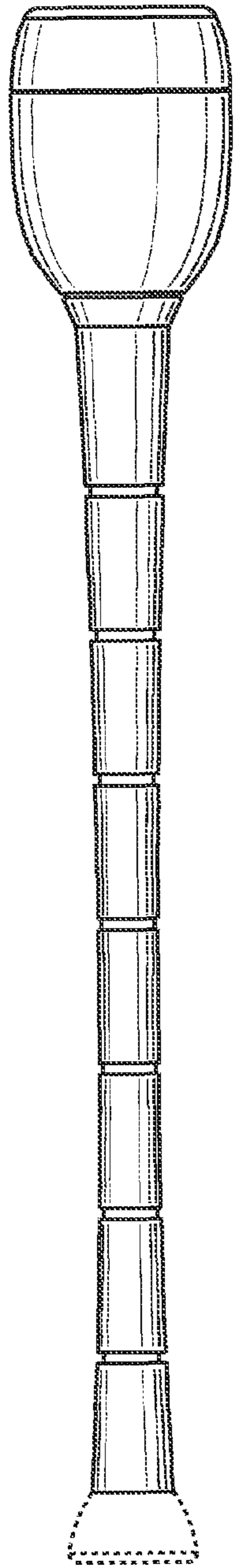


FIG. 2

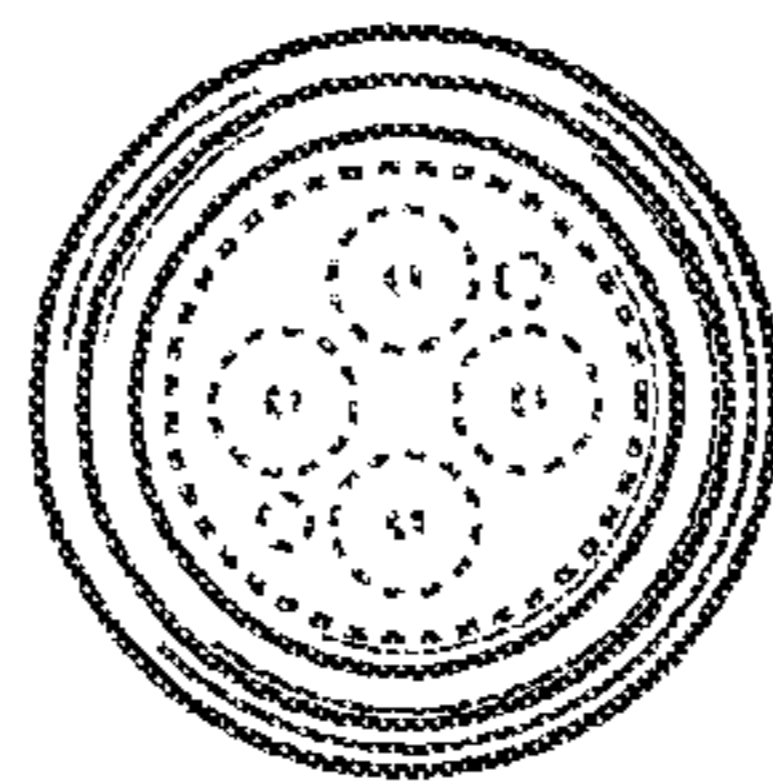


FIG. 3

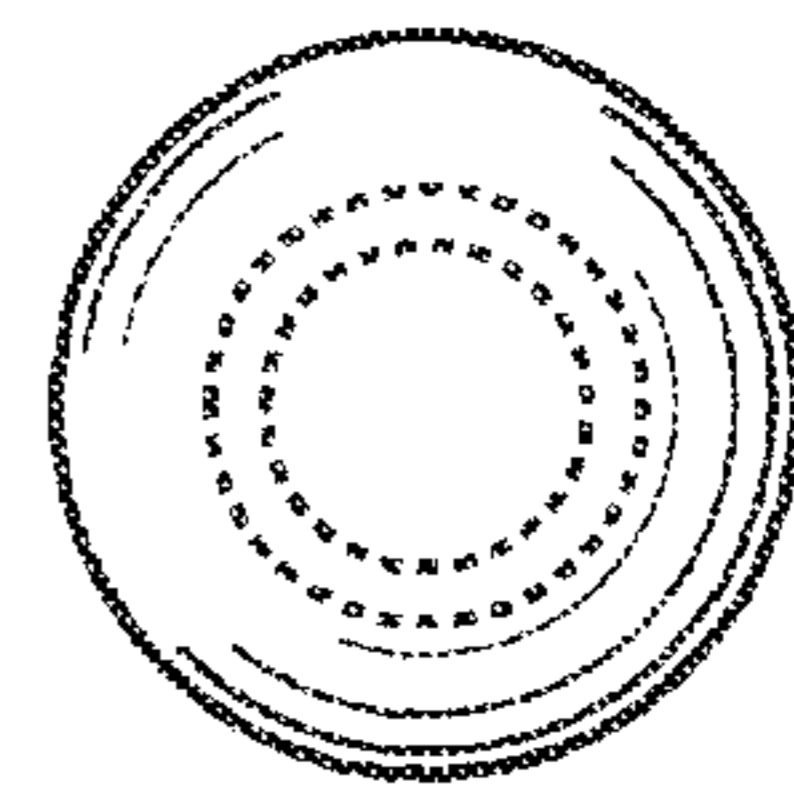


FIG. 4