



US00D621535S

(12) **United States Design Patent**
Heine et al.

(10) **Patent No.:** **US D621,535 S**
(45) **Date of Patent:** **** Aug. 10, 2010**

(54) **RECHARGEABLE BATTERY WITH HEADBAND**

(75) Inventors: **Oliver Heine**, Herrsching (DE); **Dirk Schade**, Penzberg (DE); **Stefan Knesewitsch**, Herrsching (DE); **Anton Schneider**, Munich (DE); **Georg Pfaffenbauer**, Herrsching (DE); **Gerhard Guegel**, Diessen (DE)

(73) Assignee: **Heine Optotechnik GmbH & Co. KG**, Herrsching (DE)

(**) Term: **14 Years**

(21) Appl. No.: **29/317,638**

(22) Filed: **May 2, 2008**

(30) **Foreign Application Priority Data**

Nov. 5, 2007 (EM) 000828124

(51) **LOC (9) Cl.** **26-02**

(52) **U.S. Cl.** **D26/39**

(58) **Field of Classification Search** D26/37, D26/38, 39; 362/157, 105, 106, 183, 184, 362/187-196, 804, 572; D24/137, 138, 231, D24/232; 600/249

See application file for complete search history.

(56) **References Cited**

U.S. PATENT DOCUMENTS

D238,958 S * 2/1976 Feinbloom D26/39
D266,192 S * 9/1982 Feinbloom et al. D26/39
4,593,683 A * 6/1986 Blaha 600/249
D300,868 S * 4/1989 Conforti D26/39

D398,403 S * 9/1998 Bishop et al. D24/231
D441,886 S * 5/2001 Beck D26/39
D489,838 S * 5/2004 Opolka D26/39
D539,952 S * 4/2007 Iranyi et al. D26/39
D608,479 S * 1/2010 Heine et al. D26/39
2005/0128735 A1 * 6/2005 Atkins et al. 362/105
2006/0245175 A1 * 11/2006 Heine et al. 362/105
2009/0154143 A1 * 6/2009 Heine et al. 362/105
2009/0323317 A1 * 12/2009 Spartano et al. 362/105

* cited by examiner

Primary Examiner—Ian Simmons
Assistant Examiner—Carissa C Fitts

(74) *Attorney, Agent, or Firm*—Rothwell, Figg, Ernst & Manbeck, P.C.

(57) **CLAIM**

The ornamental design for a rechargeable battery with headband, as shown and described.

DESCRIPTION

FIG. 1 is a front elevational view of a rechargeable battery with headband in accordance with the present invention.

FIG. 2 is a first side elevational view of the apparatus of FIG. 1.

FIG. 3 is a rear elevational view of the apparatus of FIG. 1.

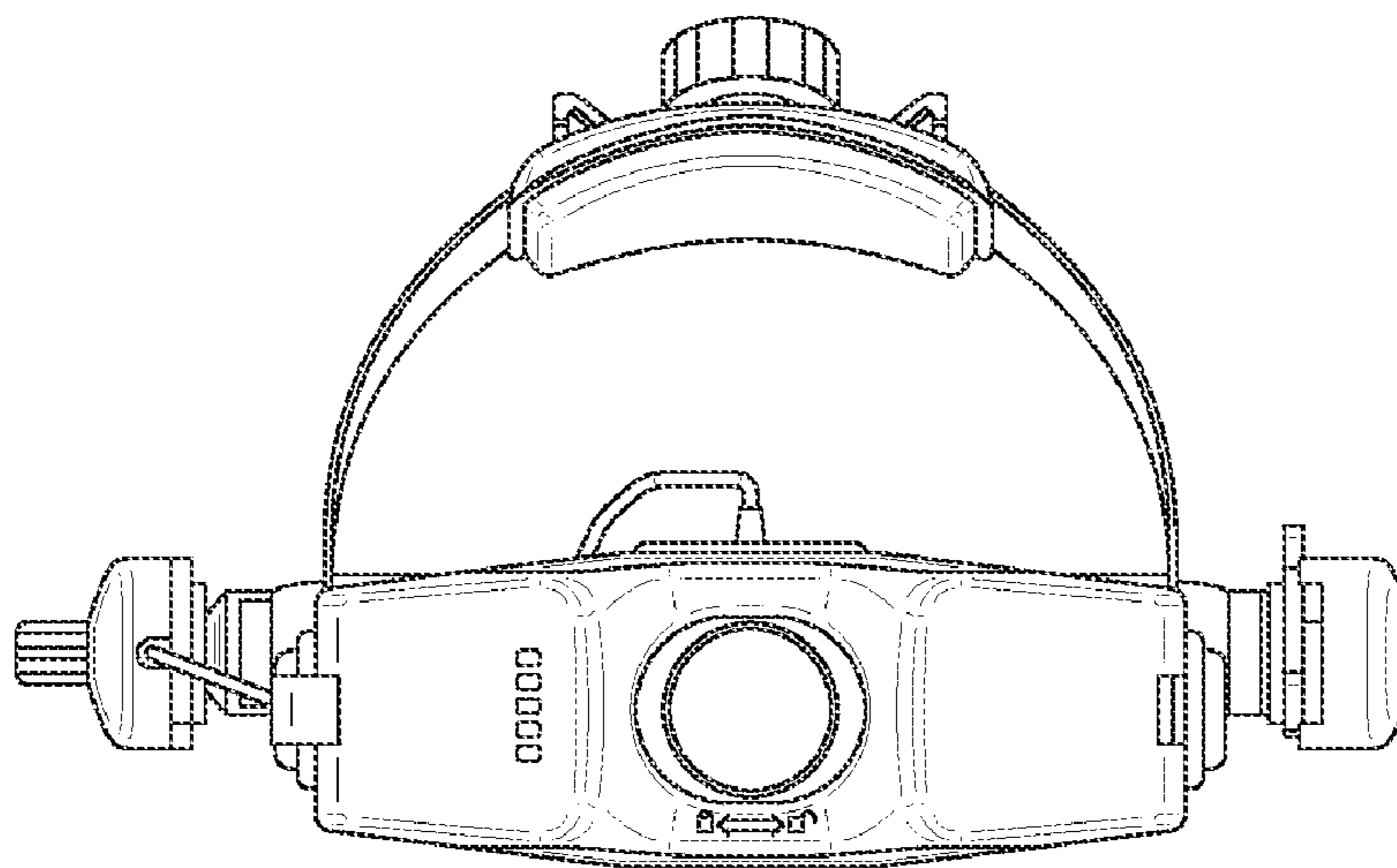
FIG. 4 is a second side elevational view of the apparatus of FIG. 1.

FIG. 5 is a top elevational view of the apparatus of FIG. 1.

FIG. 6 is a bottom elevational view of the apparatus of FIG. 1; and,

FIG. 7 is a perspective view of the apparatus of FIG. 1.

1 Claim, 3 Drawing Sheets



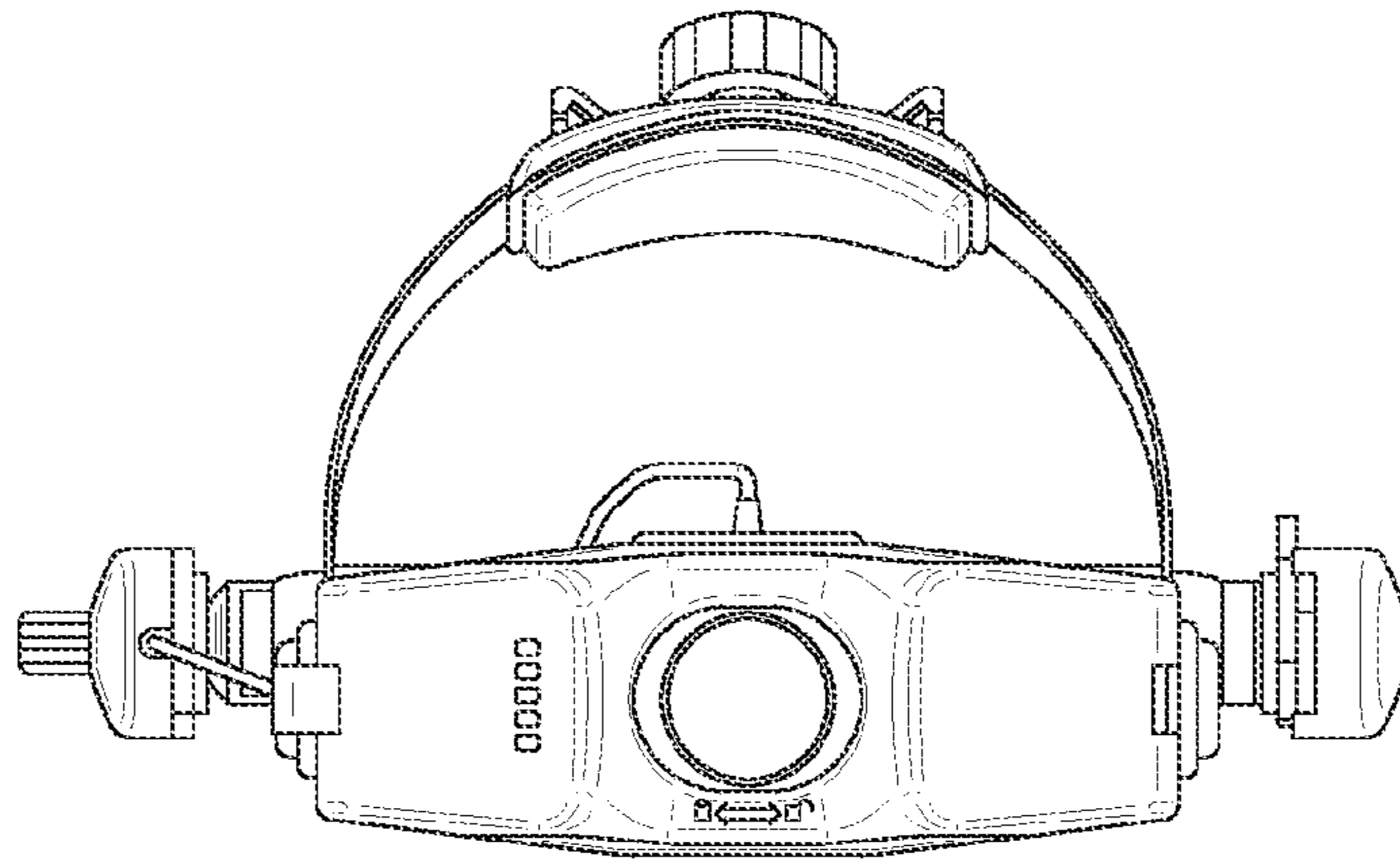


FIG. 1

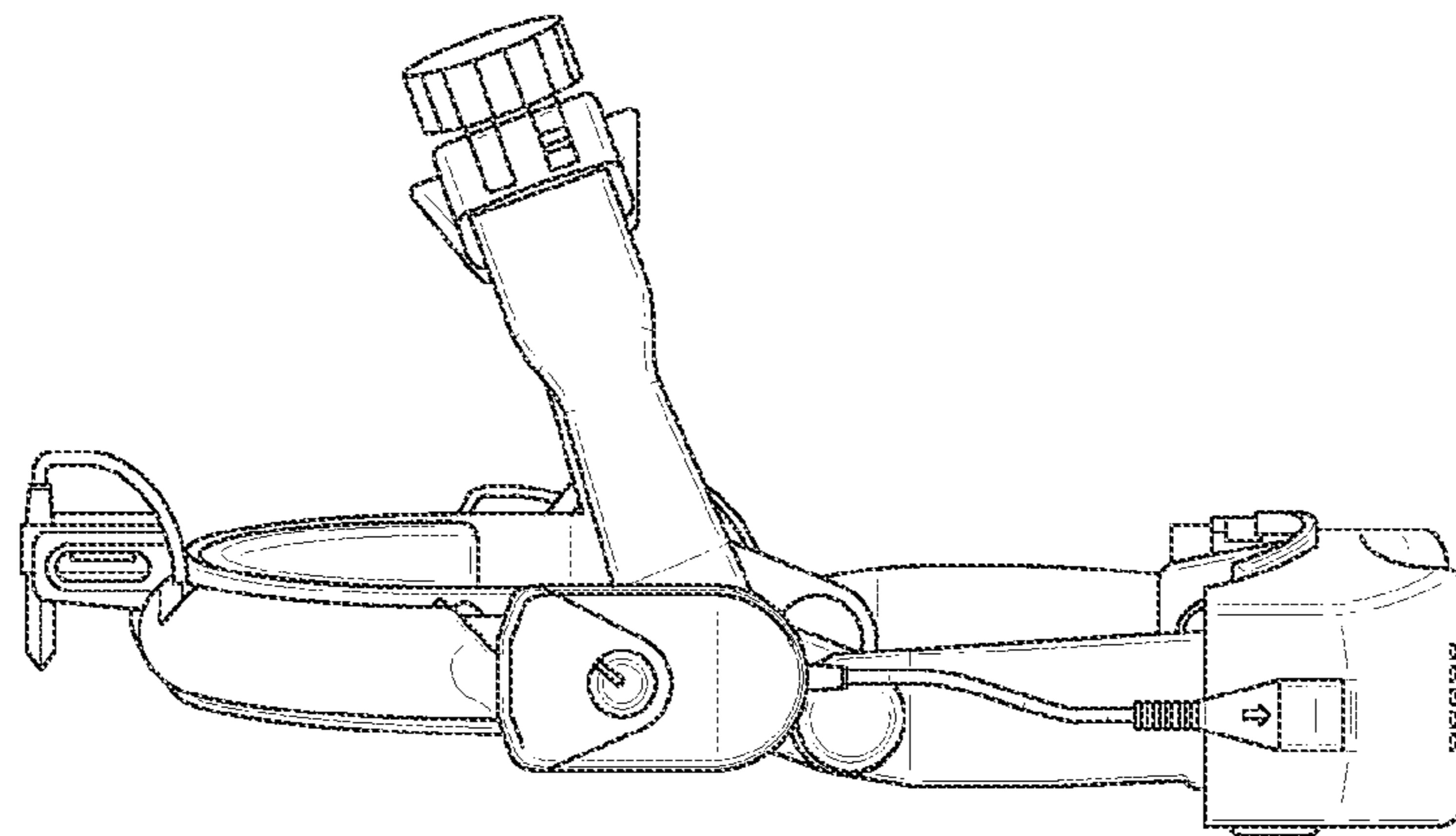


FIG. 2

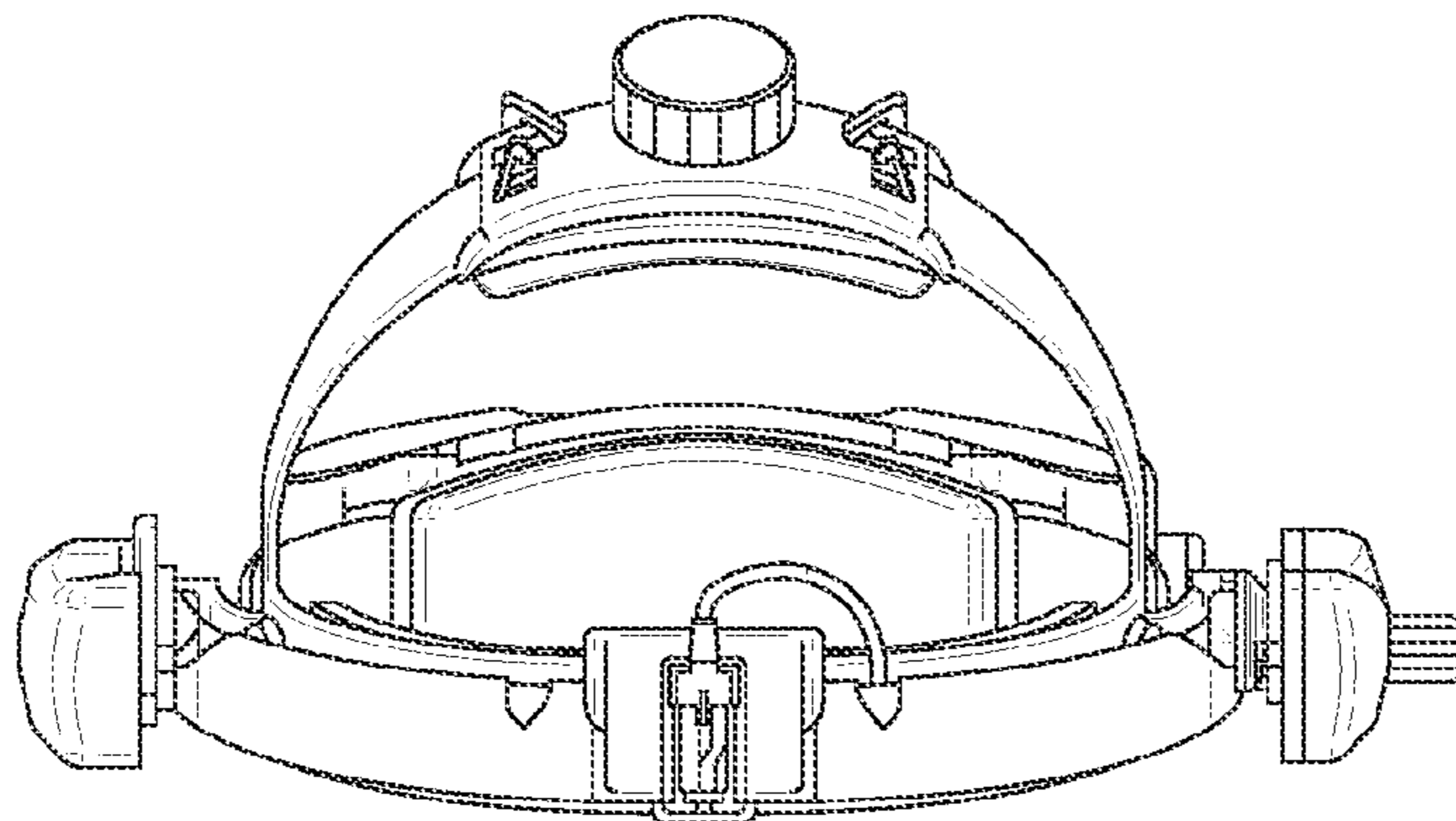


FIG. 3

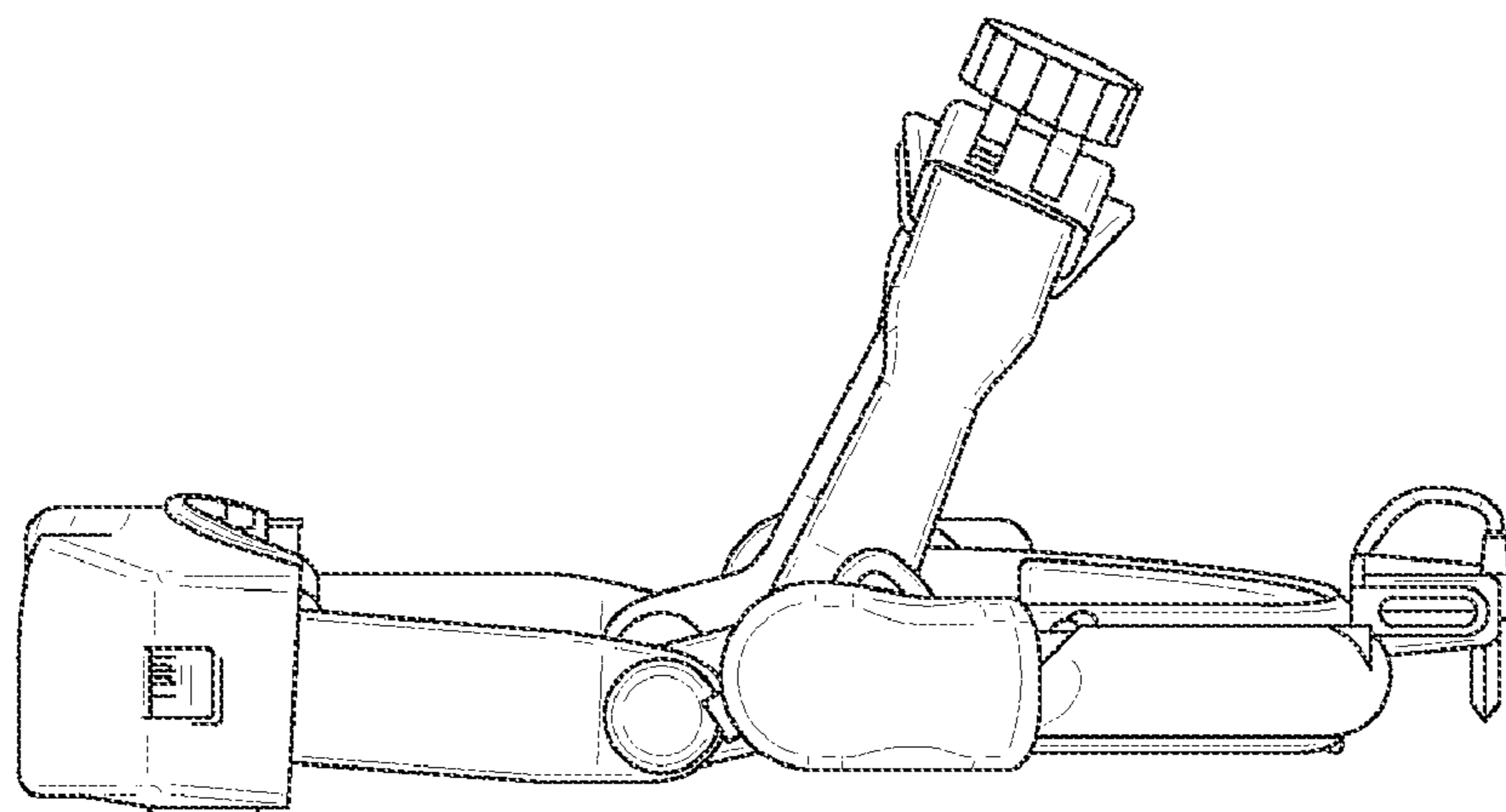


FIG. 4

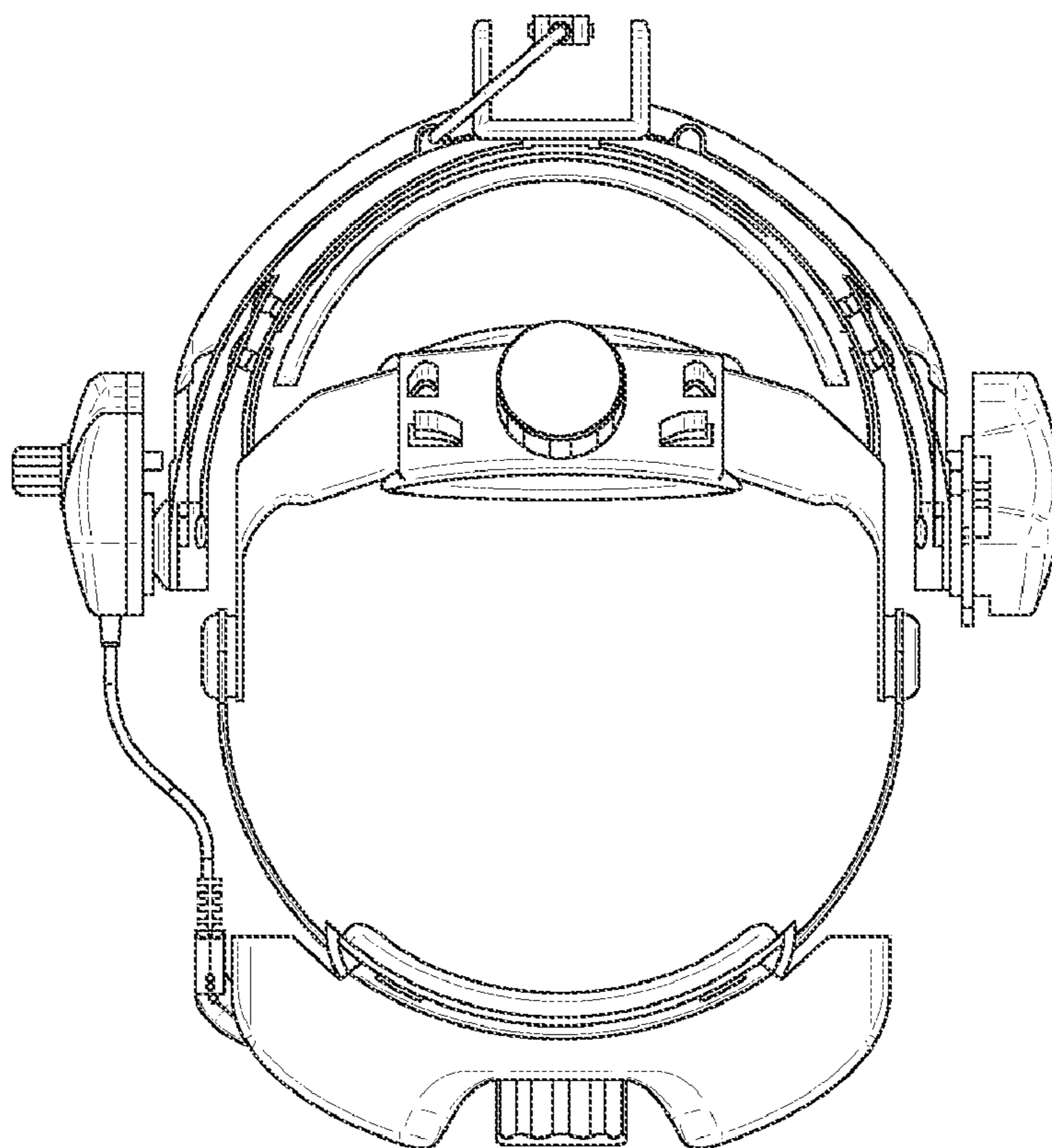


FIG. 5

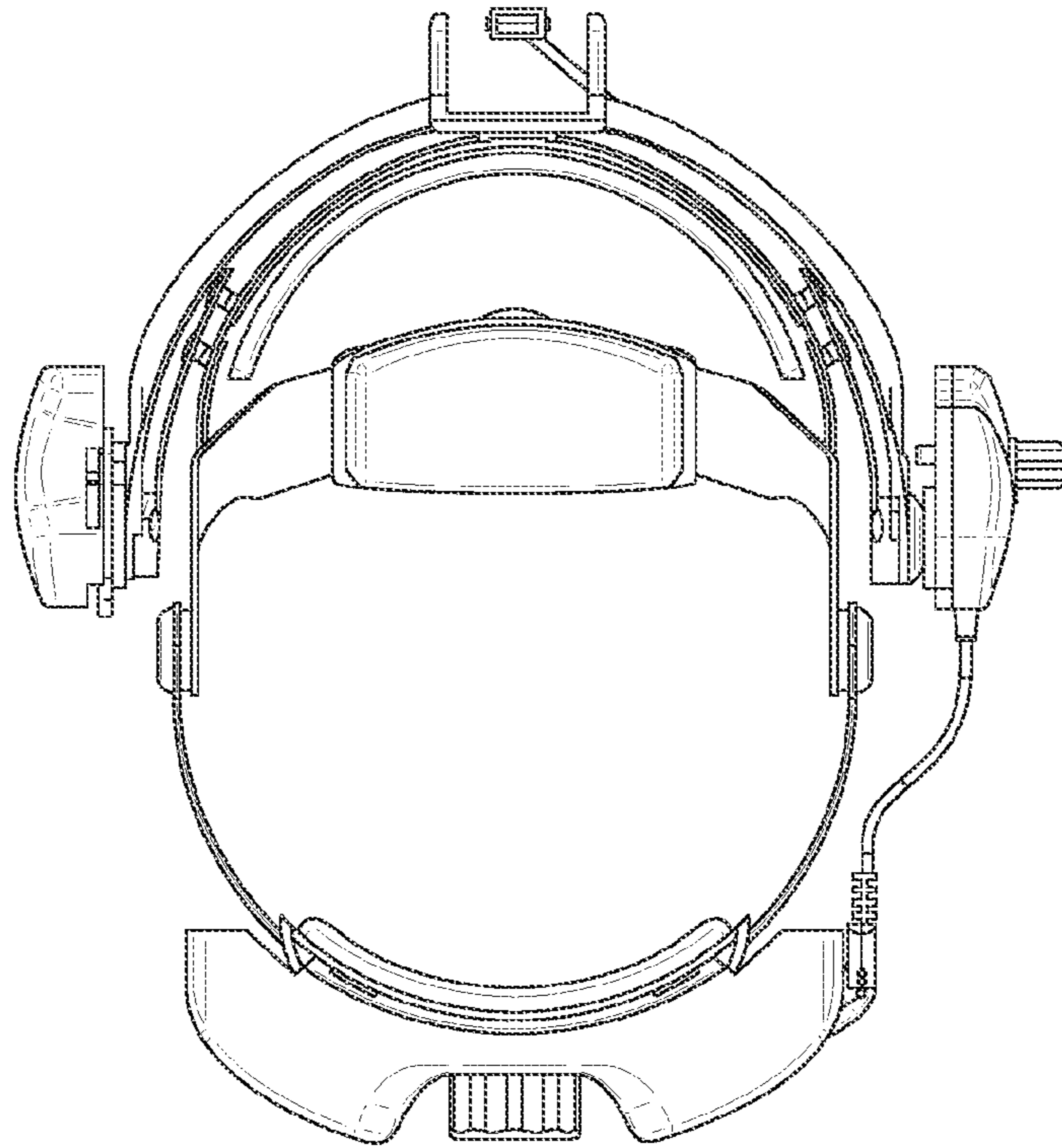


FIG. 6

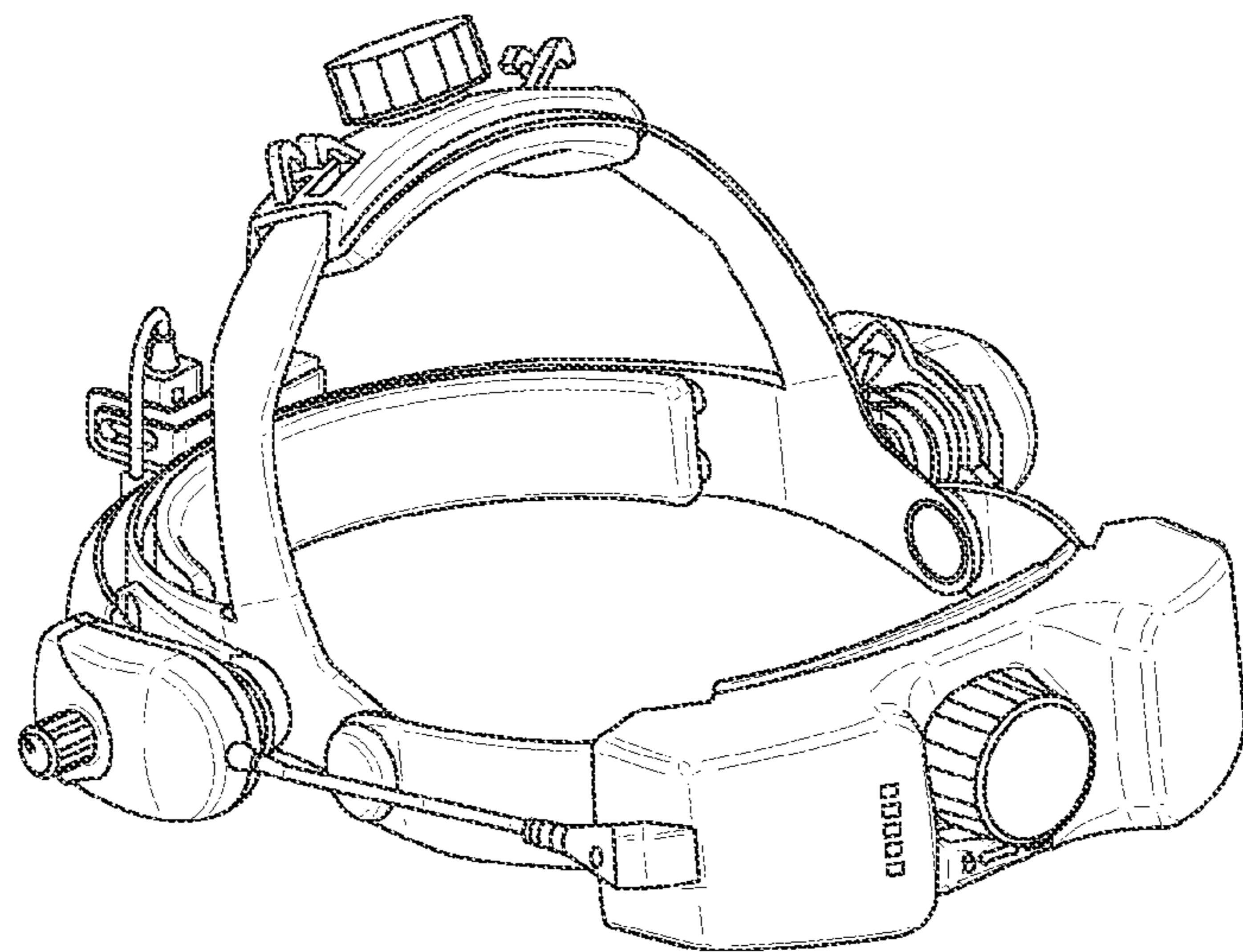


FIG. 7