



US00D621531S

(12) **United States Design Patent**
van Aalst

(10) **Patent No.:** **US D621,531 S**
(45) **Date of Patent:** **** Aug. 10, 2010**

(54) **SKATEBOARD ANCHOR AND DETERRENT SET**

DESCRIPTION

(76) Inventor: **Ries van Aalst**, Boordeseweg 2/o,
Nuenen (NL) 5671 AS

(**) Term: **14 Years**

(21) Appl. No.: **29/299,177**

(22) Filed: **Dec. 20, 2007**

(51) **LOC (9) Cl.** **25-99**

(52) **U.S. Cl.** **D25/199**

(58) **Field of Classification Search** D25/199,
D25/133, 131, 68; D8/400, 499, 399, 380,
D8/349, 354, 373, 356, 352; 52/24, 26, 127.2,
52/749.126, 698; 182/3, 45, 231; D29/112;
14/2, 3

See application file for complete search history.

(56) **References Cited**

U.S. PATENT DOCUMENTS

D498,136 S * 11/2004 Parker D8/380

2005/0050832 A1* 3/2005 Comerford 52/698

* cited by examiner

Primary Examiner—T. Chase Nelson

Assistant Examiner—Ania K Dworzecka

(74) *Attorney, Agent, or Firm*—Miller & Martin PLLC

(57) **CLAIM**

The ornamental design for a skateboard anchor and deterrent set, as shown and described.

FIG. 1 is a front plan view of the anchor section of a skateboard anchor and deterrent set device showing my new design;

FIG. 2 is a bottom plan view of the anchor section shown in FIG. 1;

FIG. 3 is a right side plan view of the anchor section shown in FIG. 1, the left side being a mirror image thereof;

FIG. 4 is a top plan view of the anchor section shown in FIG. 1;

FIG. 5 is a back plan view of the anchor section shown in FIG. 1, being the end opposite that shown in FIG. 1;

FIG. 6 is a front plan view of the deterrent section of the skateboard anchor and deterrent set device;

FIG. 7 is a bottom plan view of the deterrent section shown in FIG. 6;

FIG. 8 is a right side plan view of the deterrent section shown in FIG. 6, the left side being a mirror image thereof;

FIG. 9 is a top plan view of the deterrent section shown in FIG. 6;

FIG. 10 is a back plan view of the deterrent section shown in FIG. 6;

FIG. 11 is a bottom perspective view of the anchor section shown in FIG. 1;

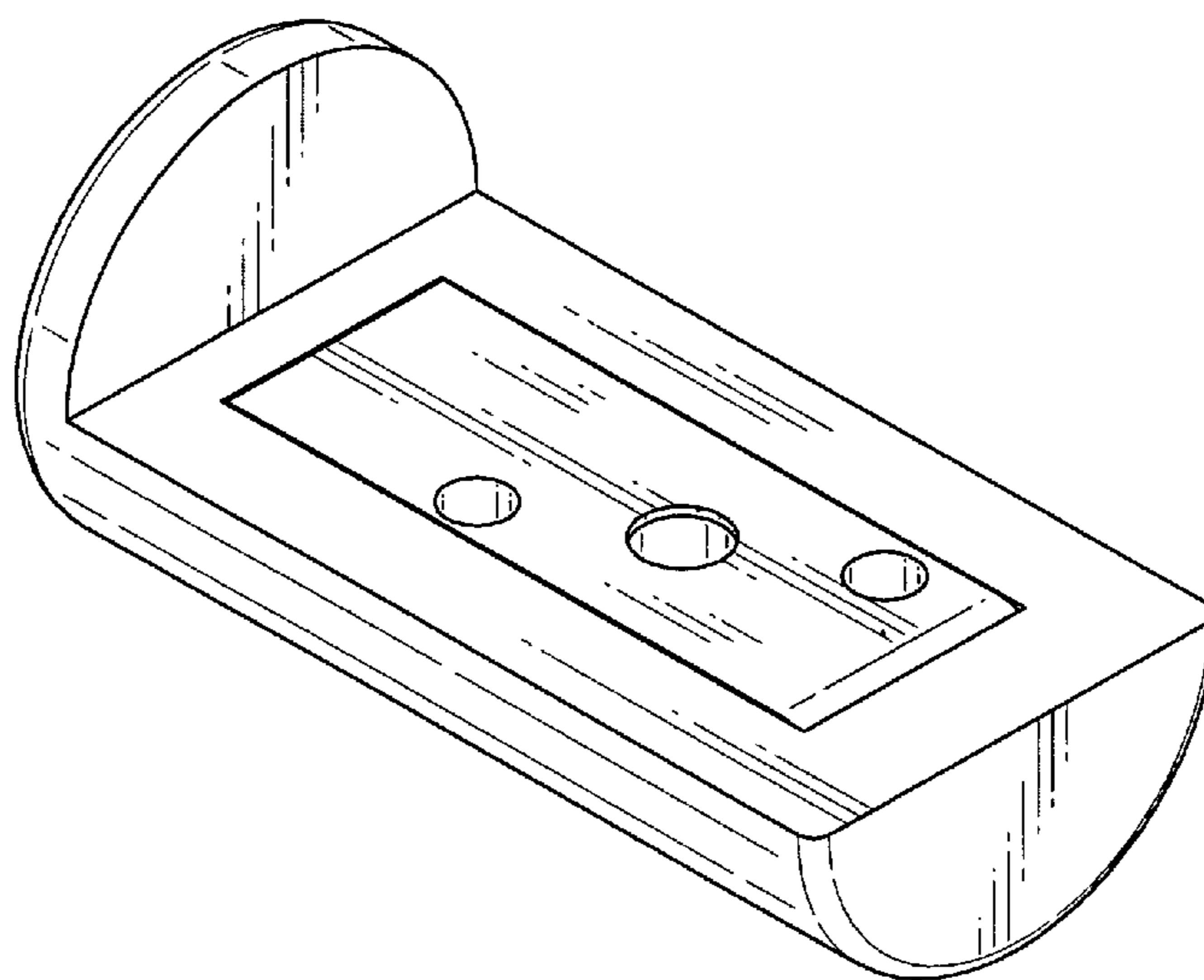
FIG. 12 is a top perspective view of the anchor section shown in FIG. 1;

FIG. 13 is a bottom perspective view of the deterrent section shown in FIG. 6; and,

FIG. 14 is a perspective view of the deterrent section shown in FIG. 13 with the anchor section shown in FIG. 11 fitted into place in the deterrent section.

The broken lines in FIG. 1 define the bounds of the claimed design and form no part thereof.

1 Claim, 4 Drawing Sheets



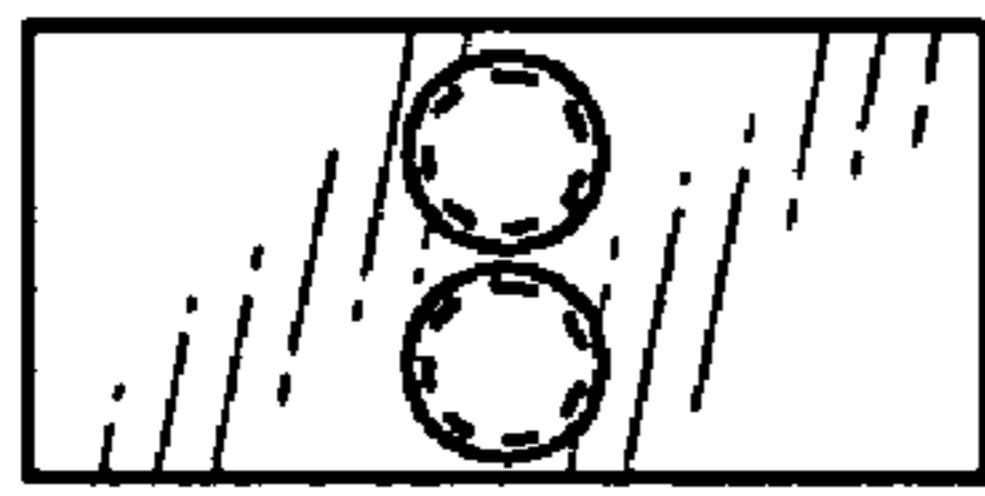


FIG. 1

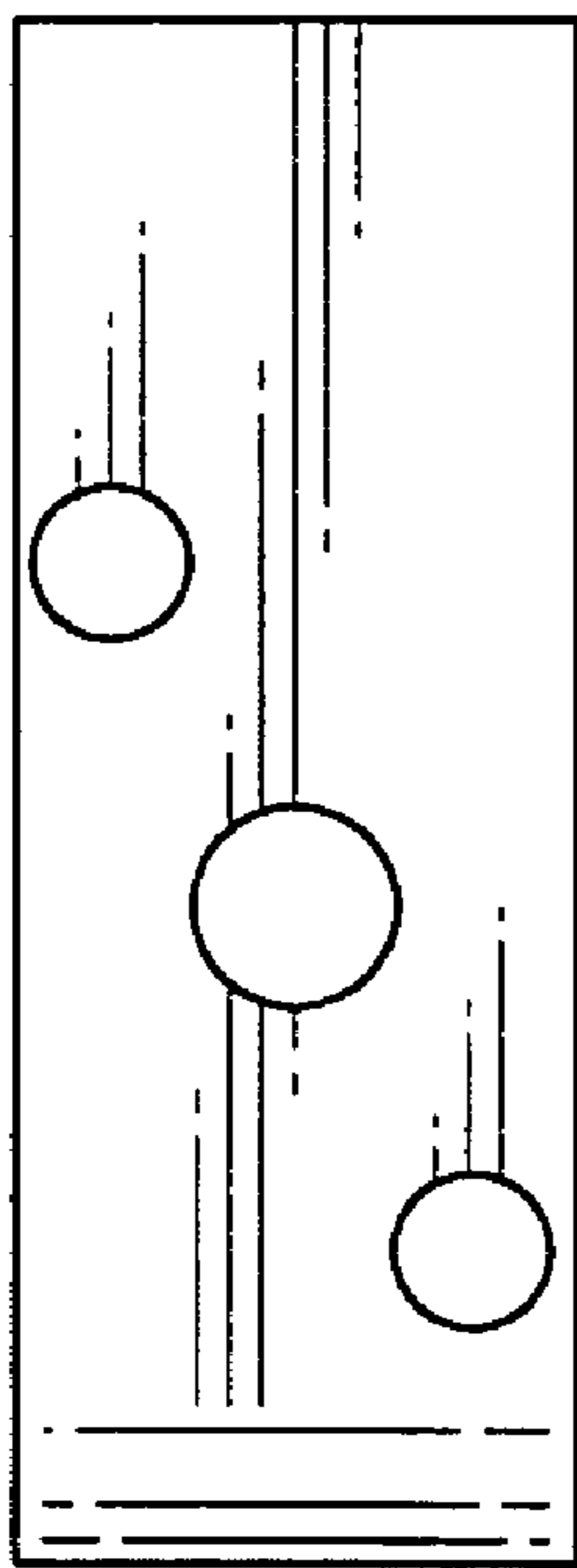


FIG. 2

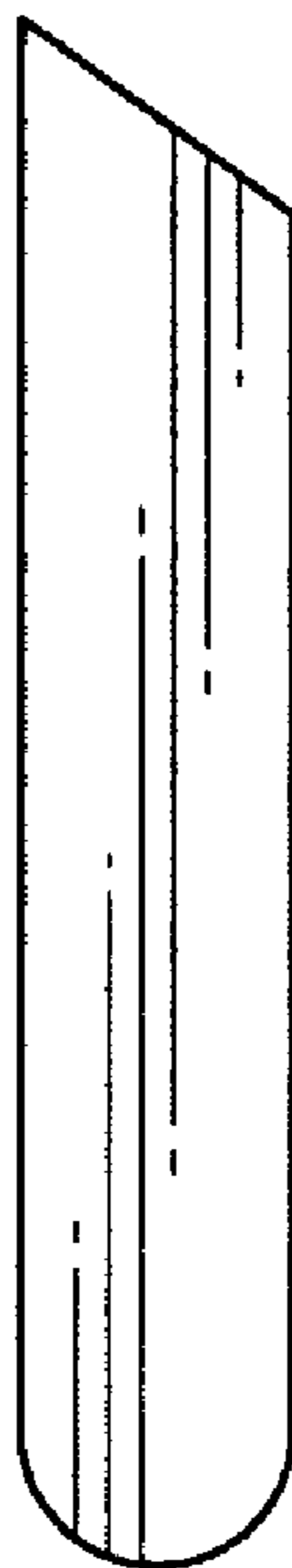


FIG. 3

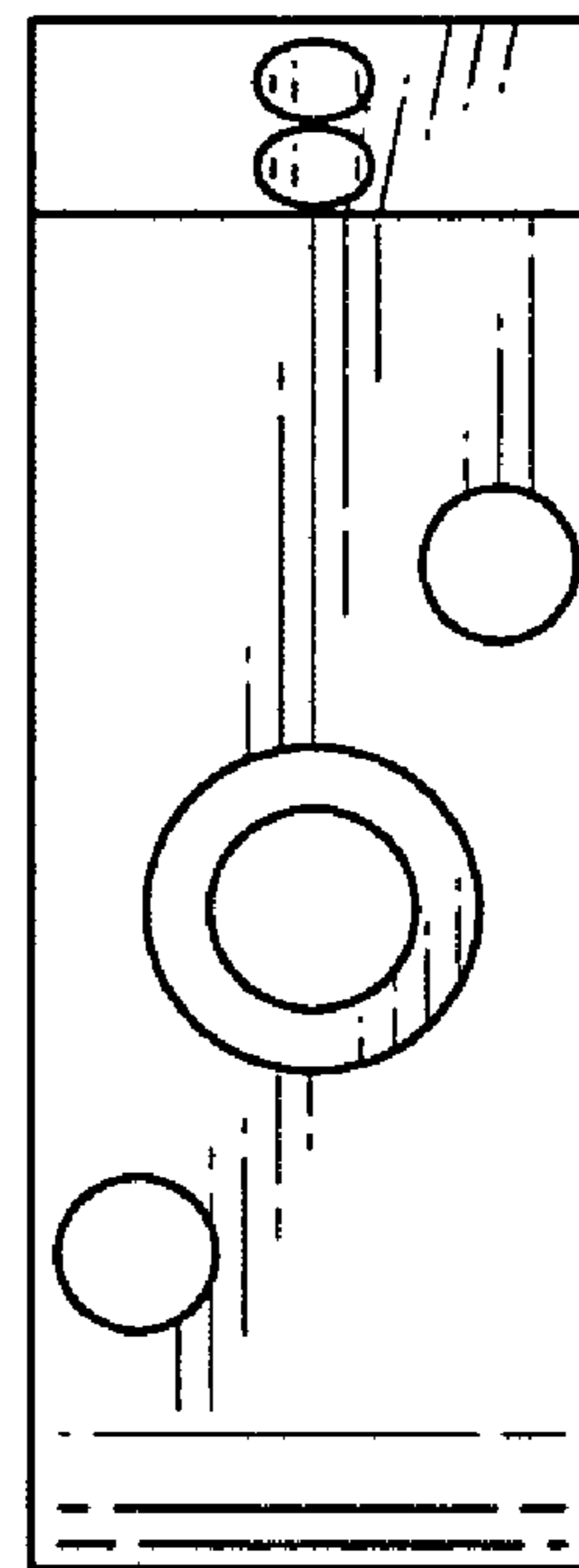


FIG. 4

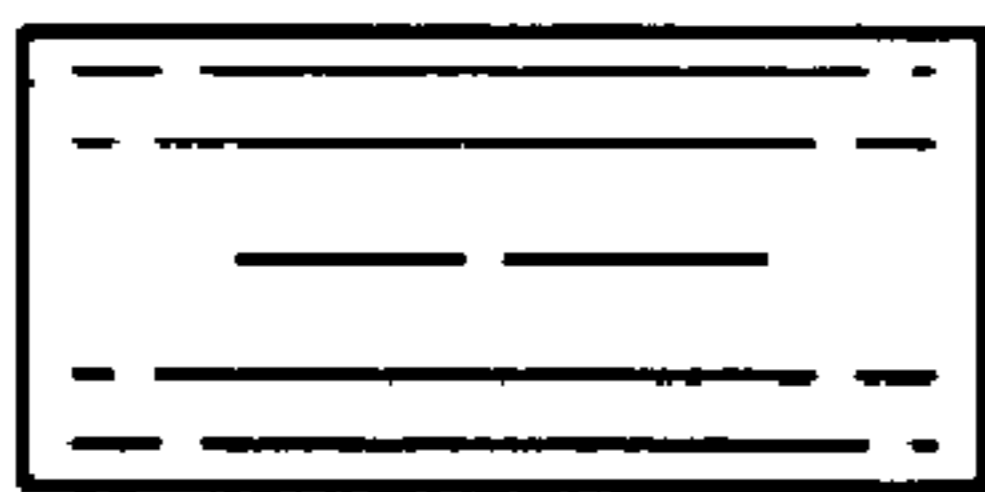


FIG. 5

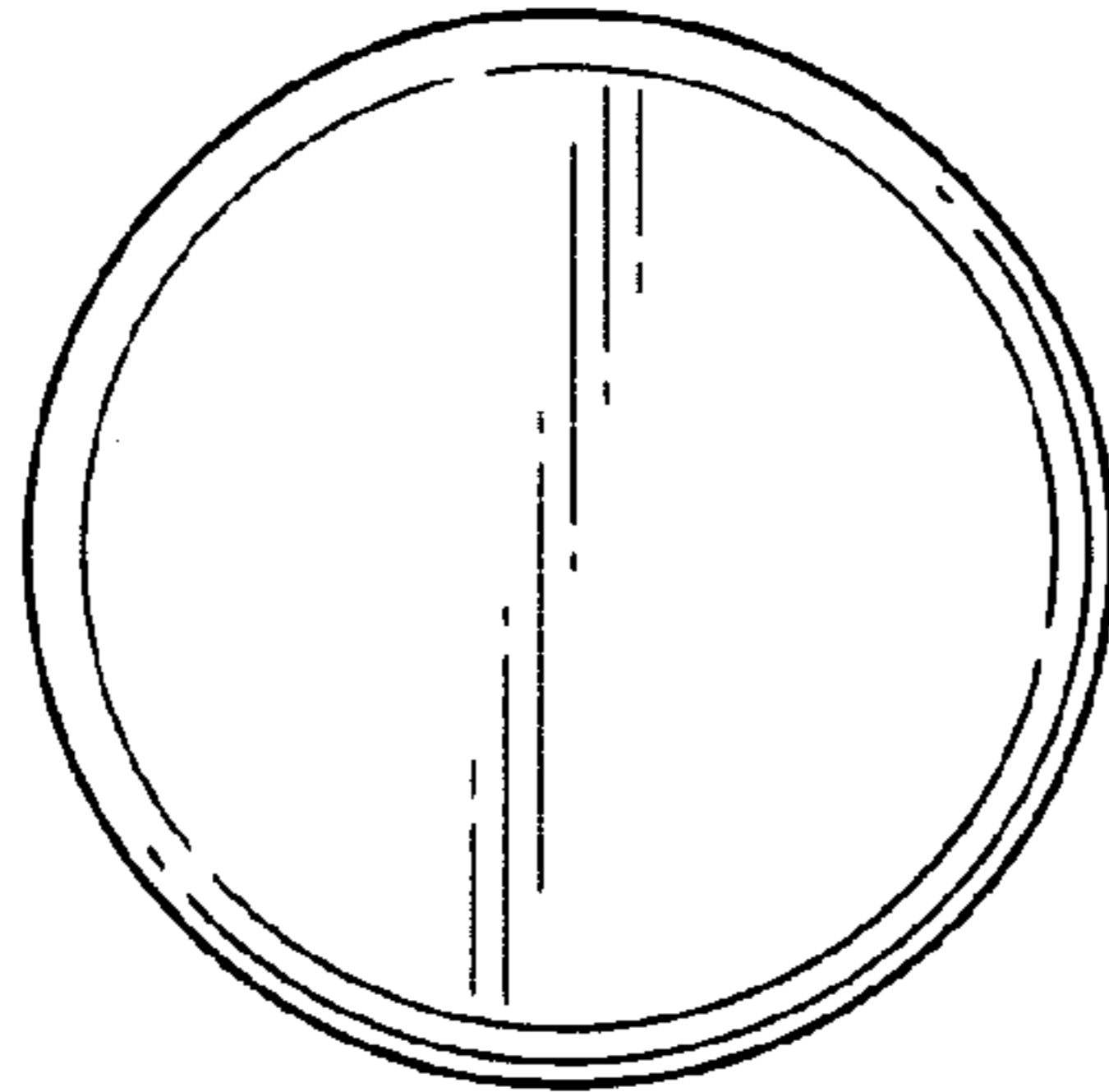


FIG. 6

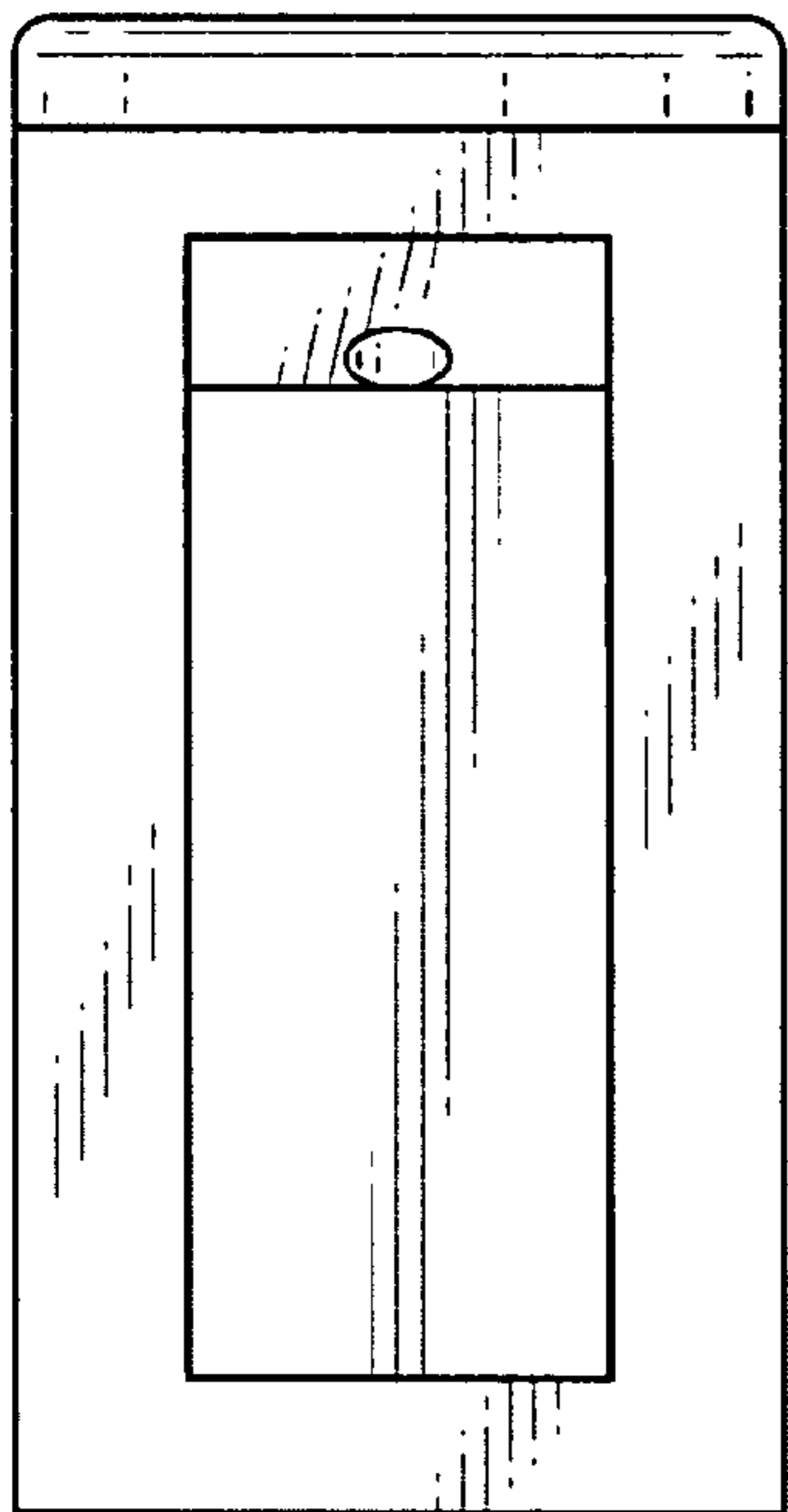


FIG. 7

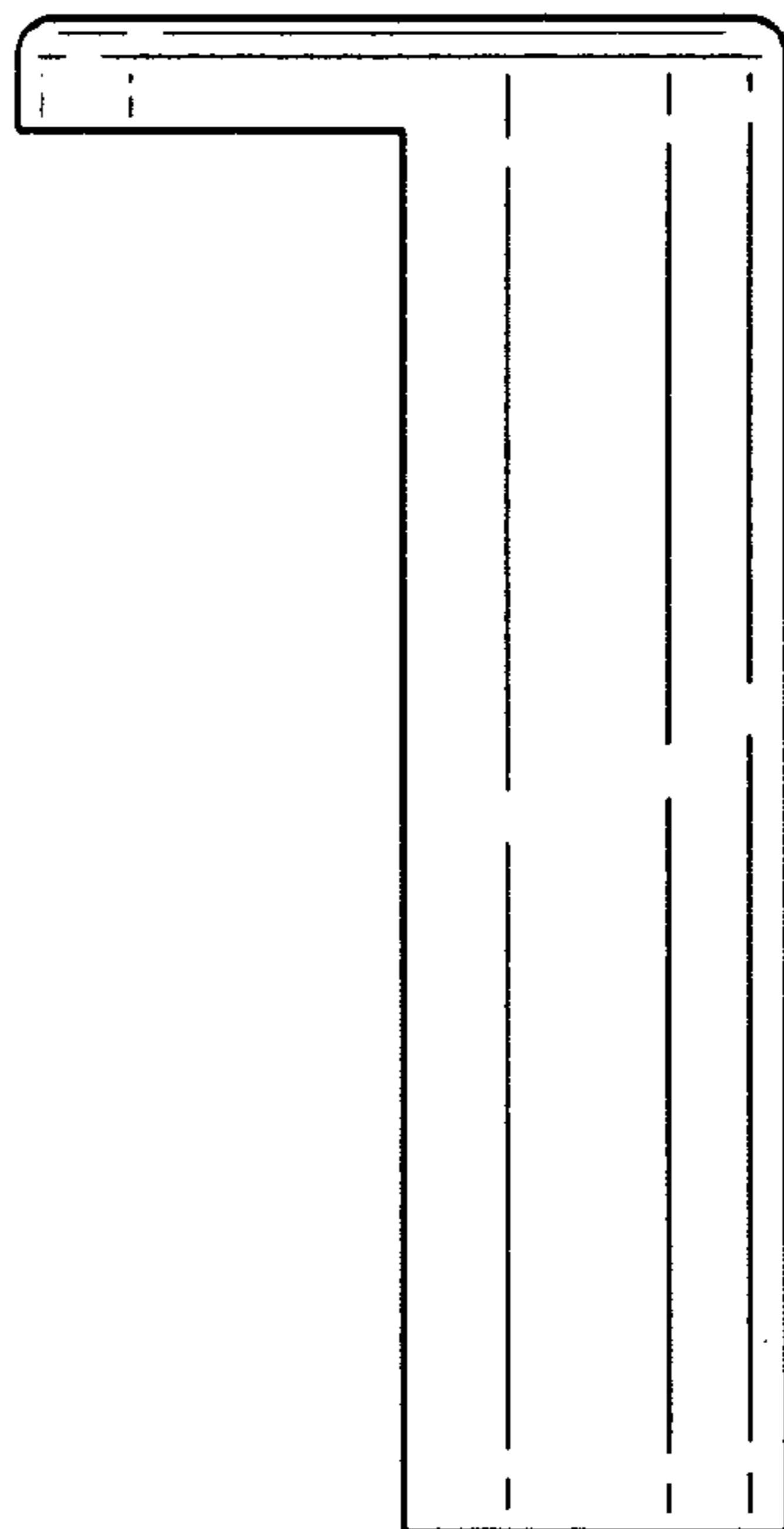


FIG. 8

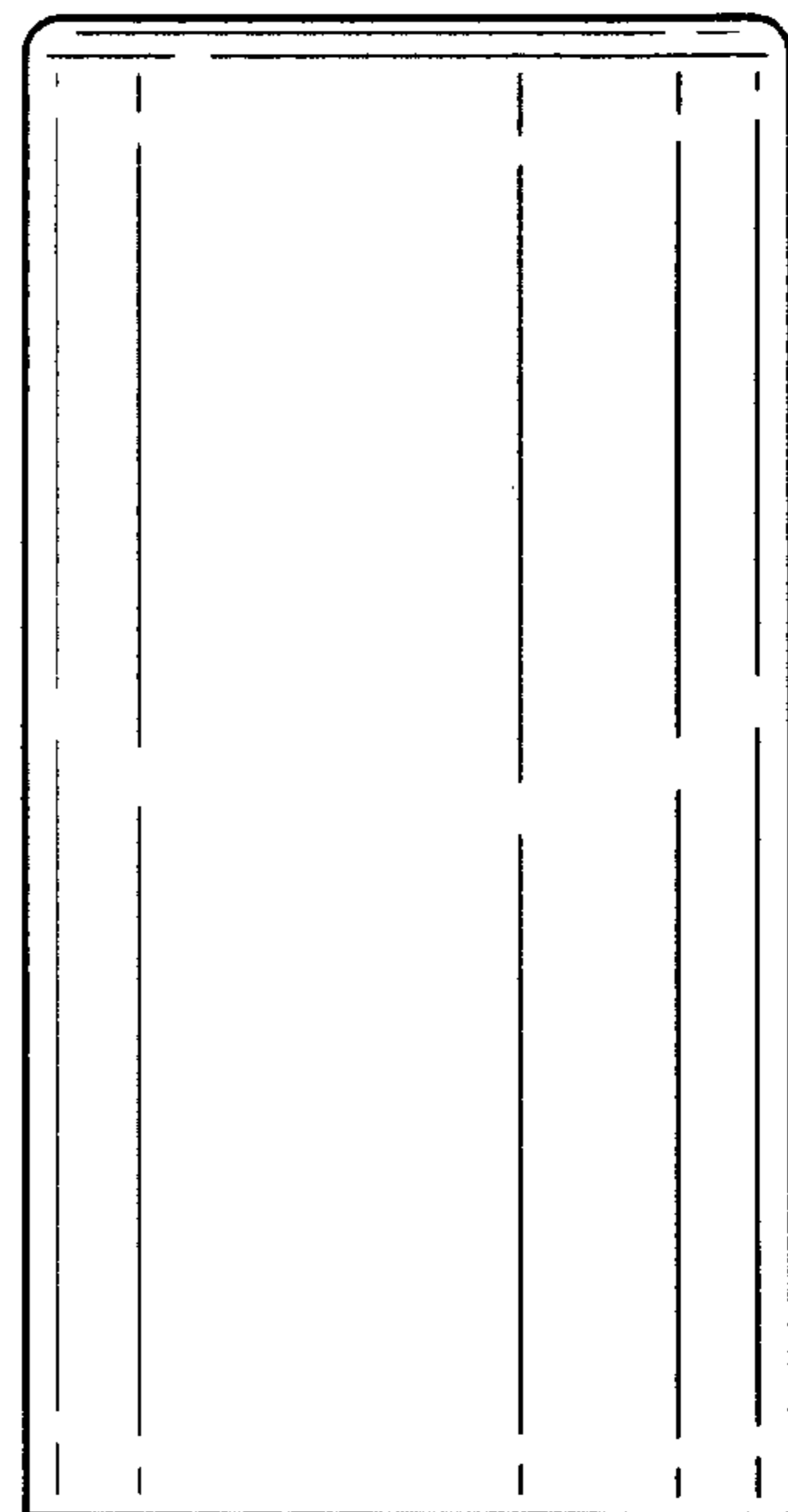


FIG. 9

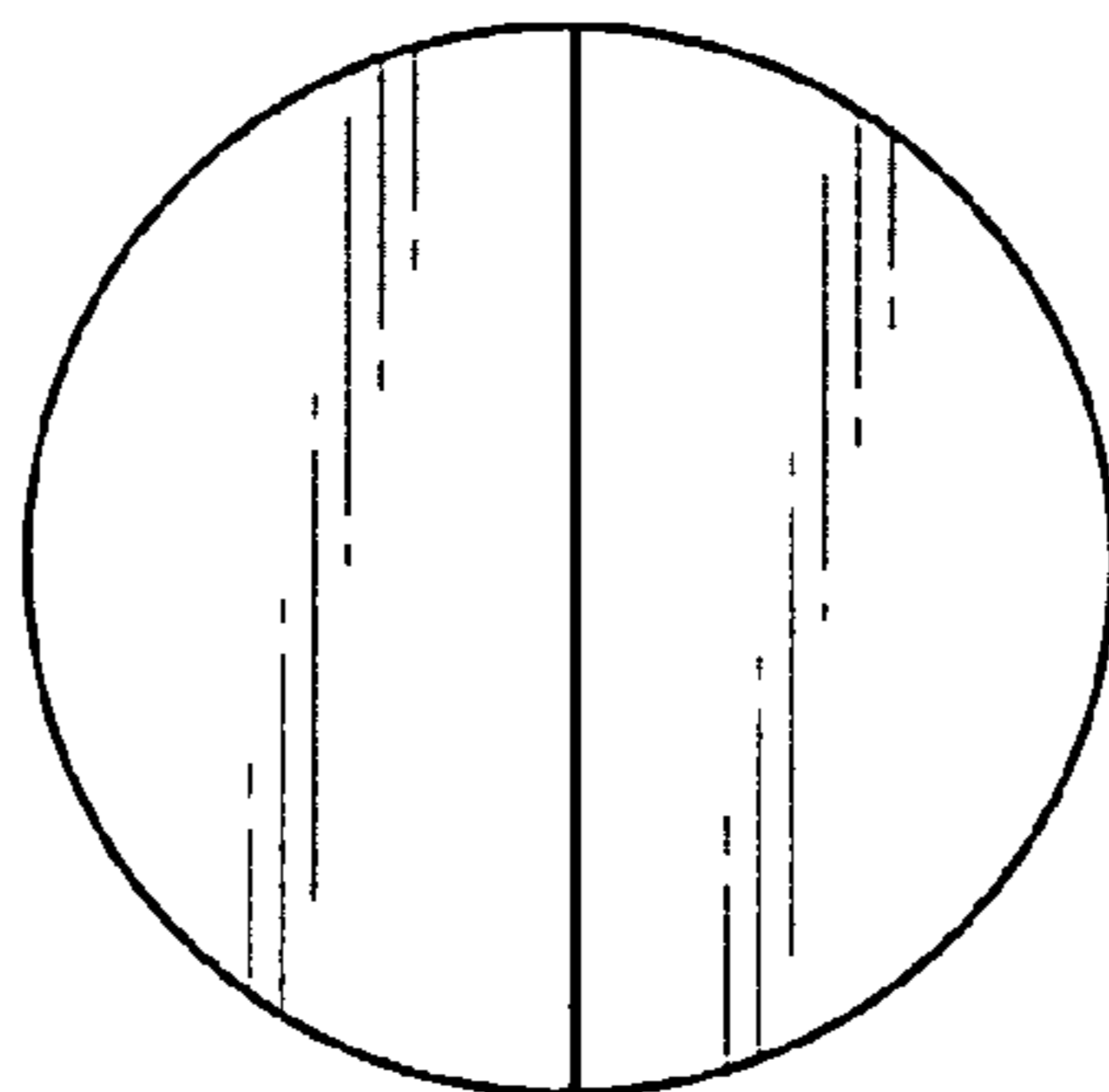


FIG. 10

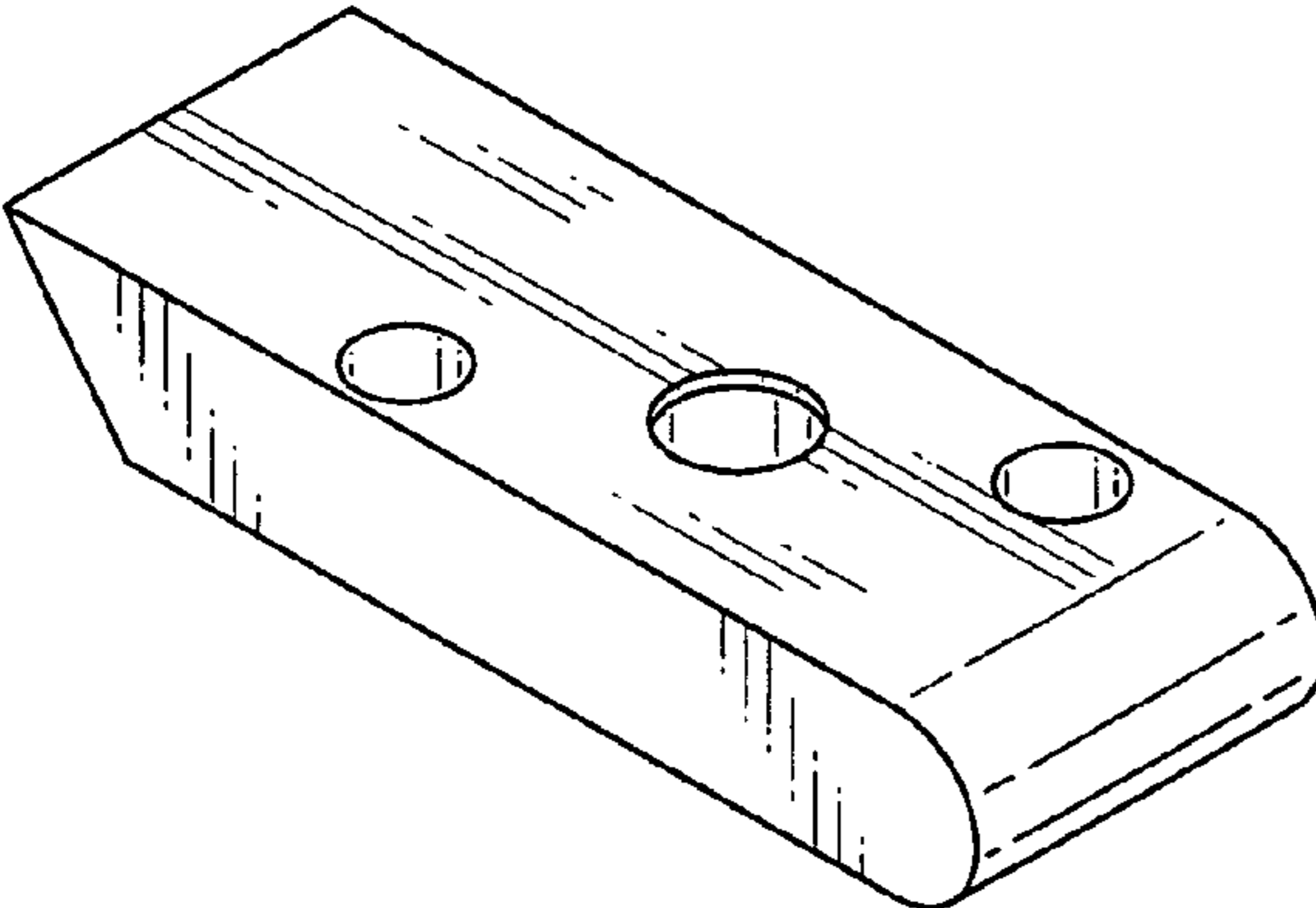


FIG. 11

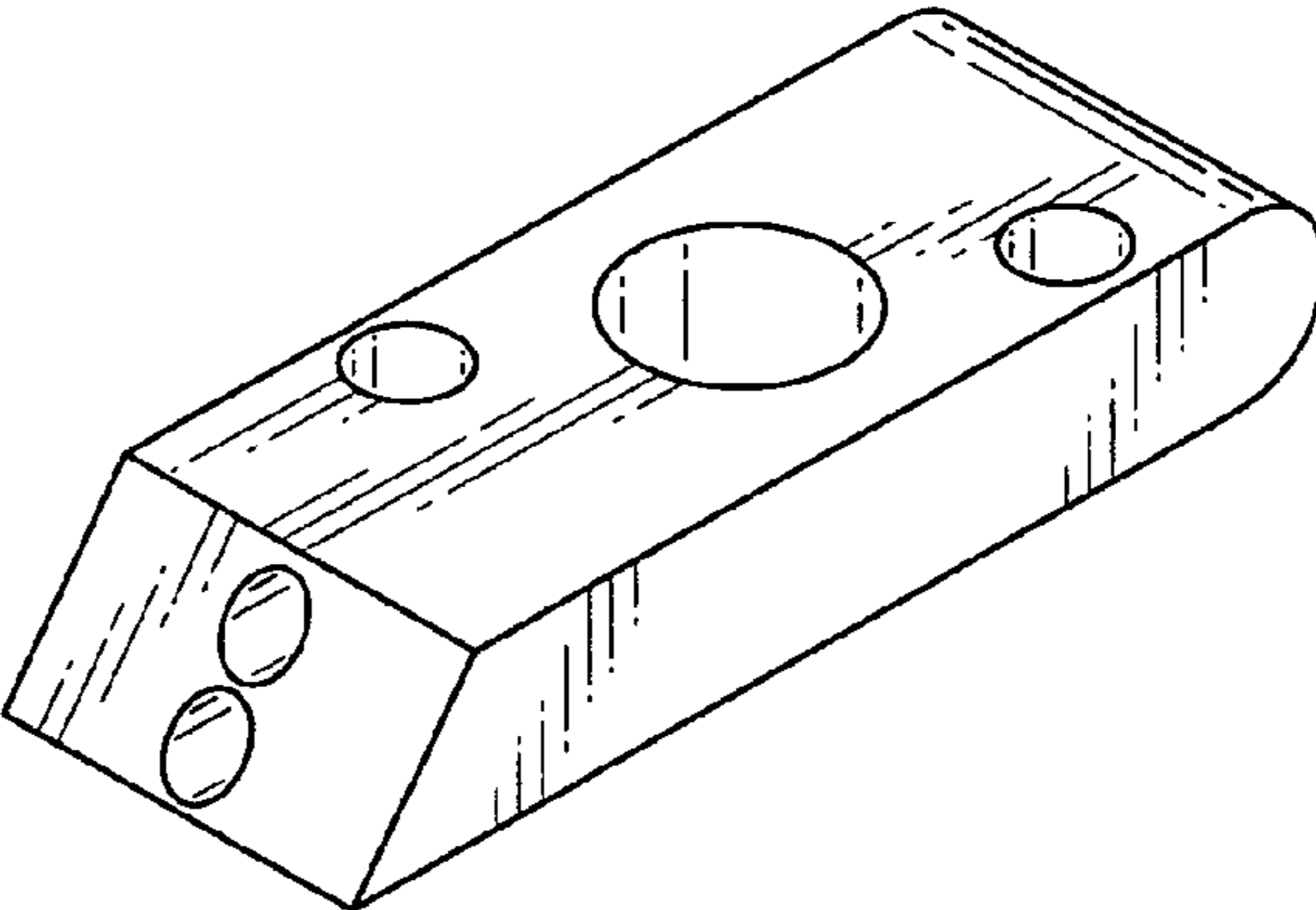


FIG. 12

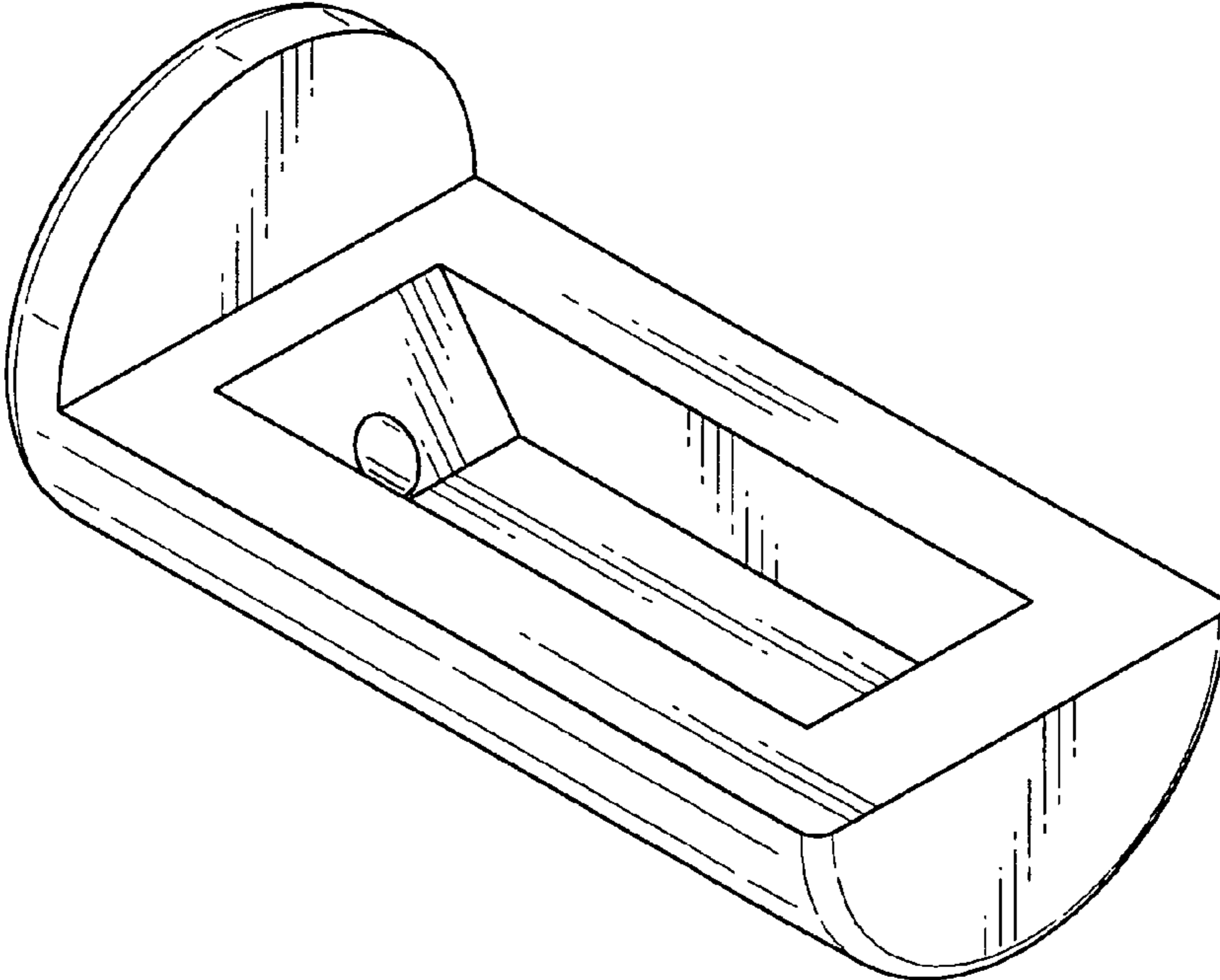


FIG. 13

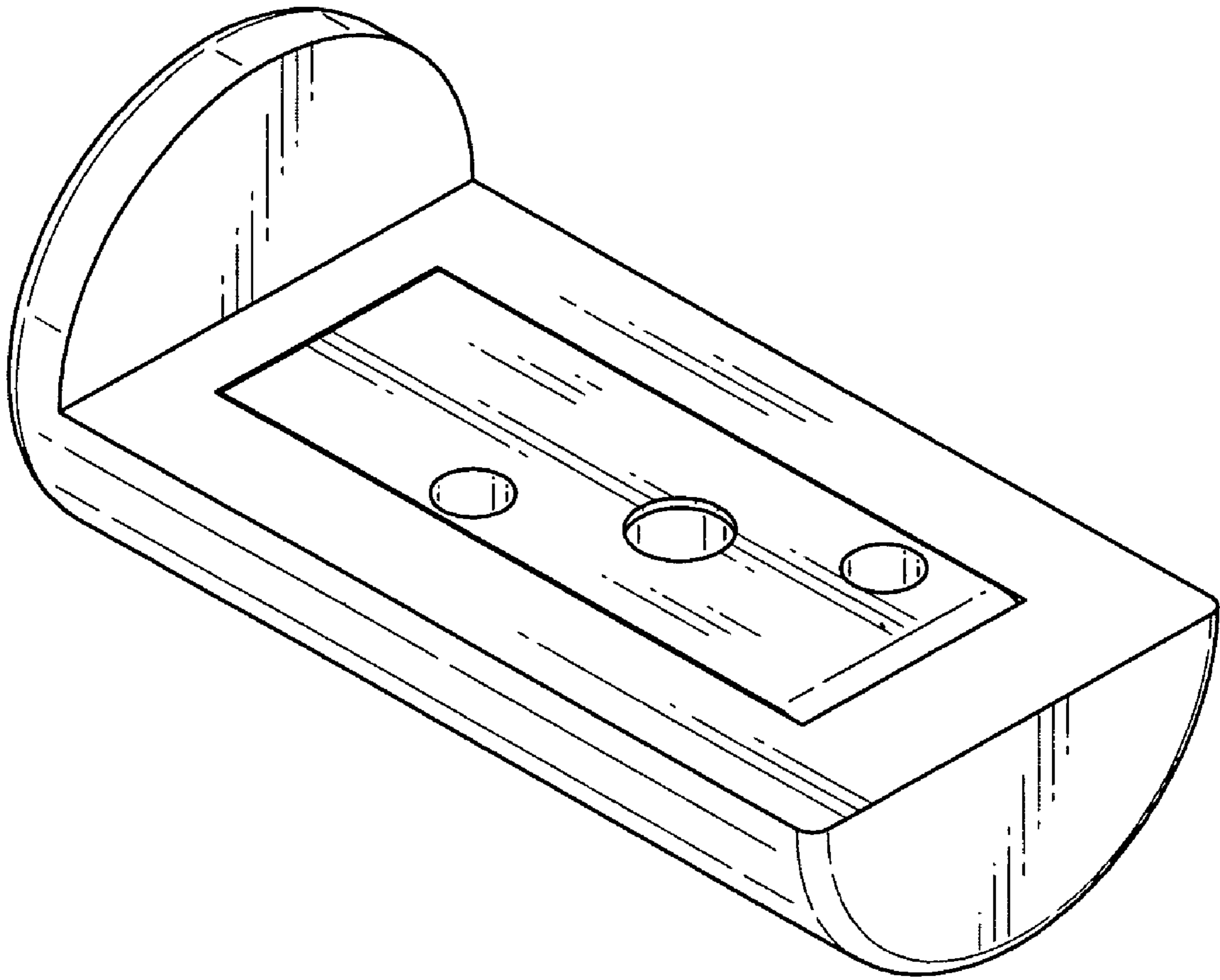


FIG. 14

UNITED STATES PATENT AND TRADEMARK OFFICE
CERTIFICATE OF CORRECTION

PATENT NO. : D621,531 S
APPLICATION NO. : 29/299177
DATED : August 10, 2010
INVENTOR(S) : Ries van Aalst

Page 1 of 1

It is certified that error appears in the above-identified patent and that said Letters Patent is hereby corrected as shown below:

On the title page, item (30) should read:

(30) Foreign Application Priority Data:

European (EU) Office for Harmonization Application No. 000743257-0001, filed 6/20/2007.

Signed and Sealed this
Tenth Day of January, 2012

A handwritten signature in black ink that reads "David J. Kappos". The signature is written in a cursive, slightly slanted style.

David J. Kappos
Director of the United States Patent and Trademark Office