

US00D621526S

(12) **United States Design Patent**
Falligant

(10) **Patent No.:** **US D621,526 S**

(45) **Date of Patent:** **** Aug. 10, 2010**

(54) **COLLAPSIBLE GARDEN TRELLIS**

Primary Examiner—Doris Clark

(74) *Attorney, Agent, or Firm*—Bullivant Houser Bailey PC

(76) **Inventor:** **Robert Falligant**, 6677 E. Hardaway Rd., Stockton, CA (US) 95215

(57) **CLAIM**

(**) **Term:** **14 Years**

The ornamental design for a collapsible garden trellis, as shown and described.

(21) **Appl. No.:** **29/332,978**

(22) **Filed:** **Feb. 27, 2009**

DESCRIPTION

(51) **LOC (9) Cl.** **08-99**

FIG. 1 is a perspective view showing my new design in an open state;

(52) **U.S. Cl.** **D25/100**

FIG. 2 is a front view thereof in an open state;

(58) **Field of Classification Search** 47/47;

FIG. 3 is a right side view thereof in an open state;

D25/100

FIG. 4 is a rear view thereof in an open state;

See application file for complete search history.

FIG. 5 is a left side view thereof in an open state;

(56) **References Cited**

FIG. 6 is a perspective view showing our new design in a collapsed state;

U.S. PATENT DOCUMENTS

1,311,136 A * 7/1919 Parr 47/47

FIG. 7 is a front view thereof in a collapsed state;

1,953,638 A * 4/1934 Smith 47/47

FIG. 8 is a right side view thereof in a collapsed state;

3,119,202 A * 1/1964 Harders 47/47

FIG. 9 is a rear view thereof in a collapsed state; and,

3,157,001 A * 11/1964 Vail 47/47

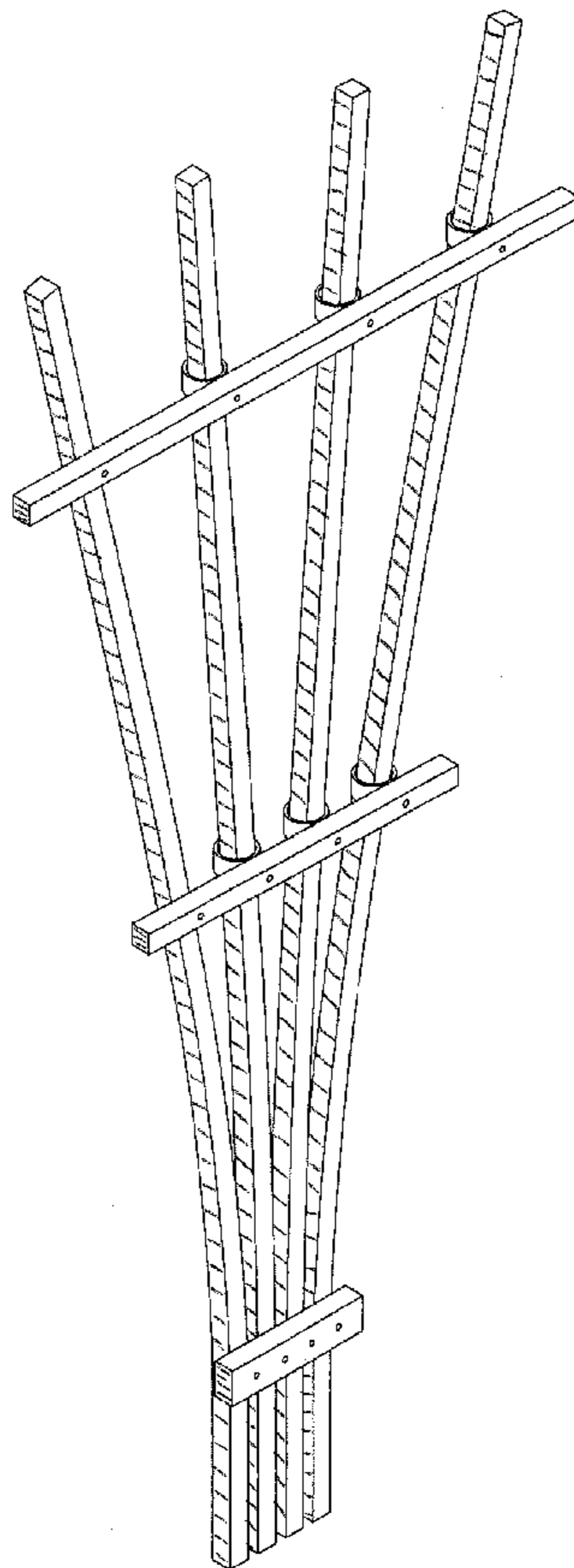
FIG. 10 is a left side view thereof in a collapsed state.

4,999,944 A * 3/1991 Troy et al. 47/47

D448,491 S * 9/2001 Daniels et al. D25/100

* cited by examiner

1 Claim, 6 Drawing Sheets



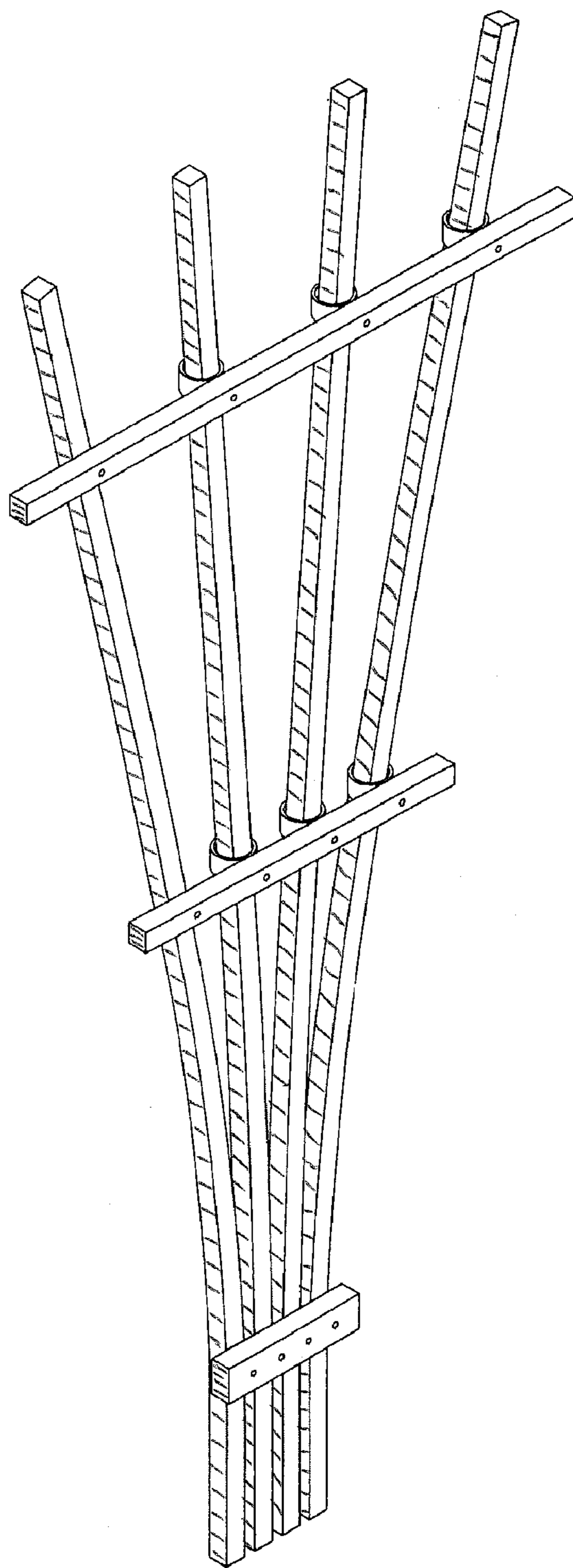


FIG. 1

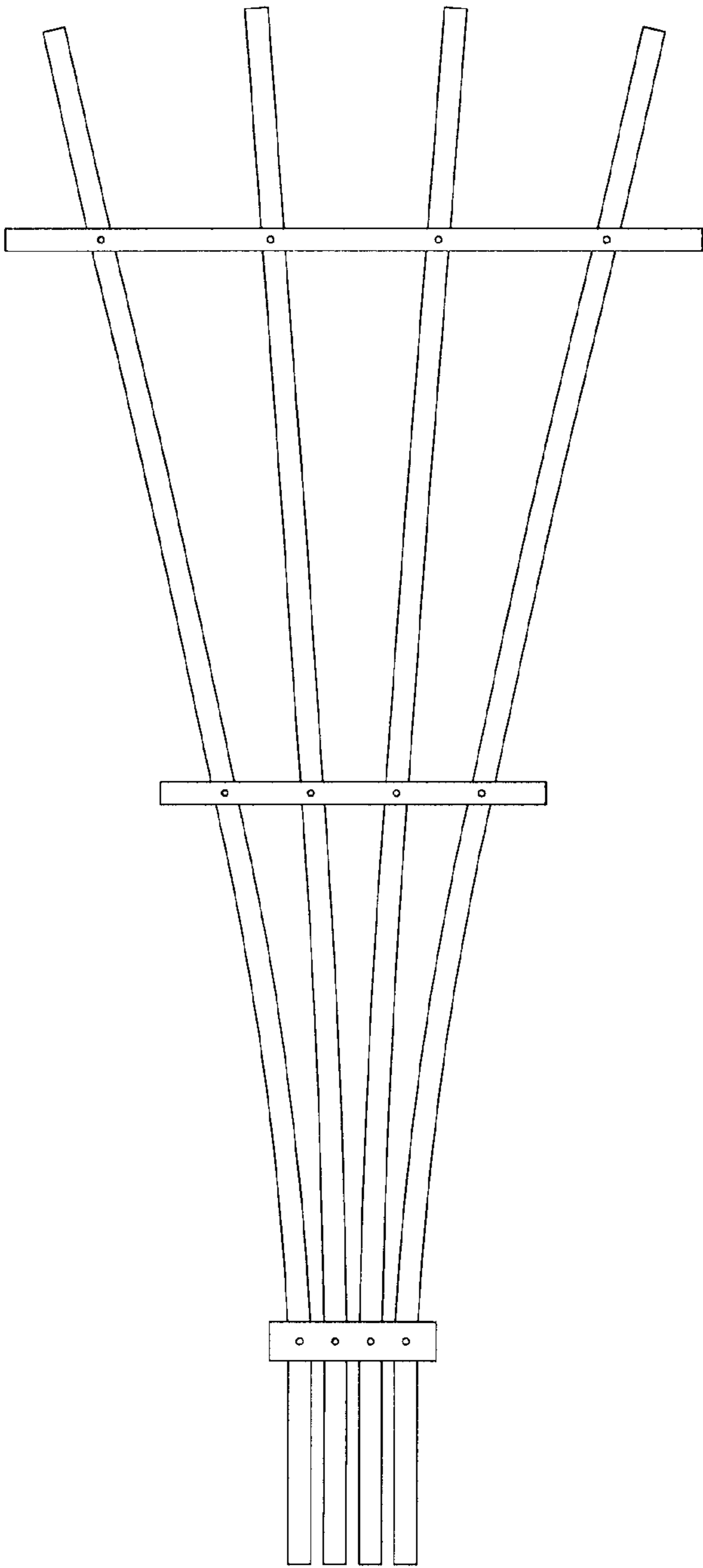


FIG. 2

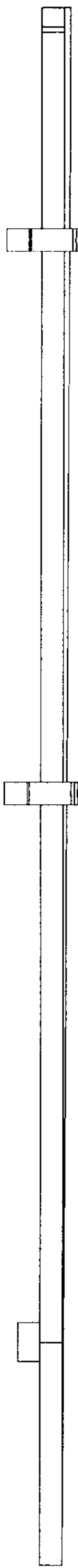


FIG. 3

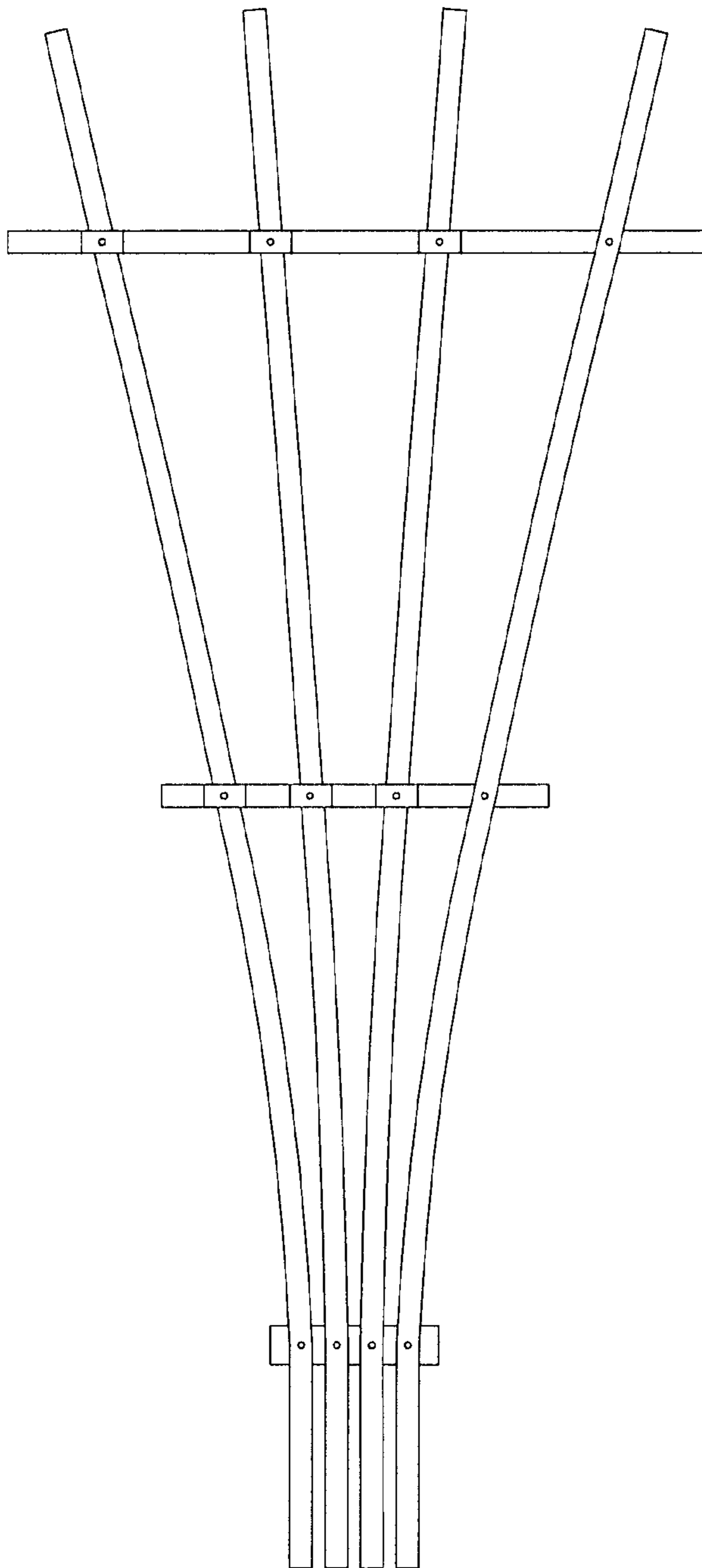


FIG. 4

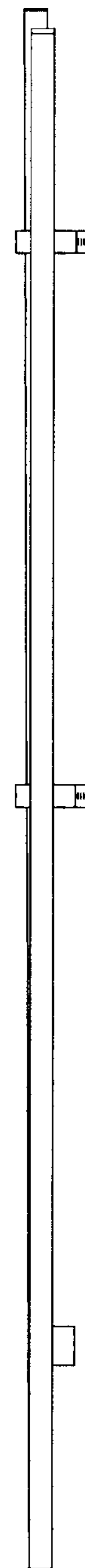


FIG. 5

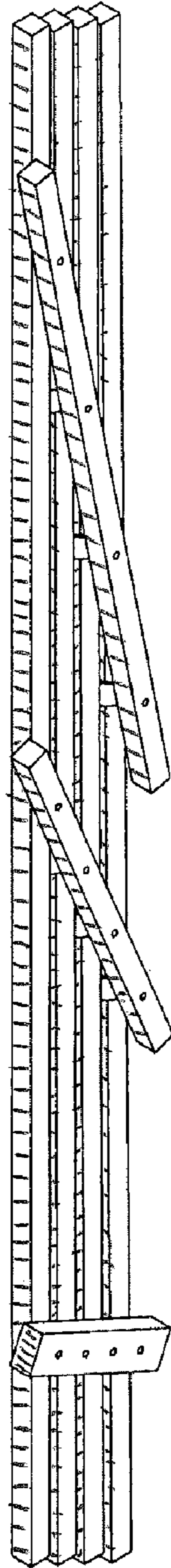


FIG. 6

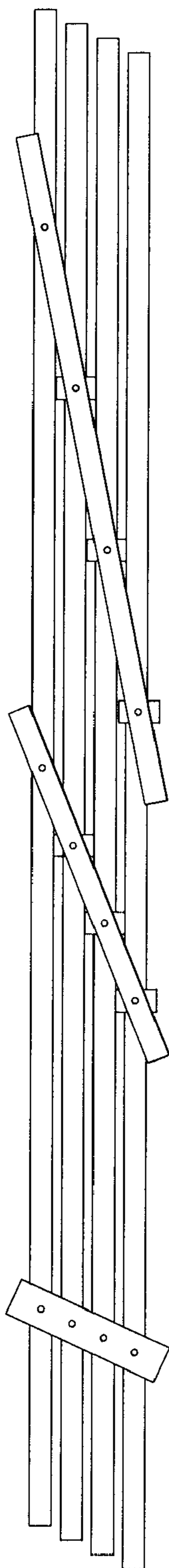


FIG. 7

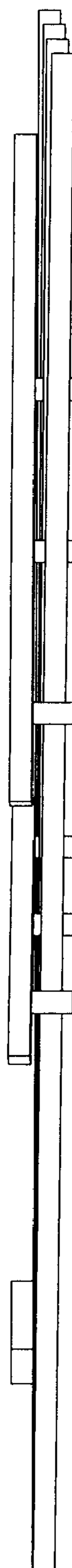


FIG. 8

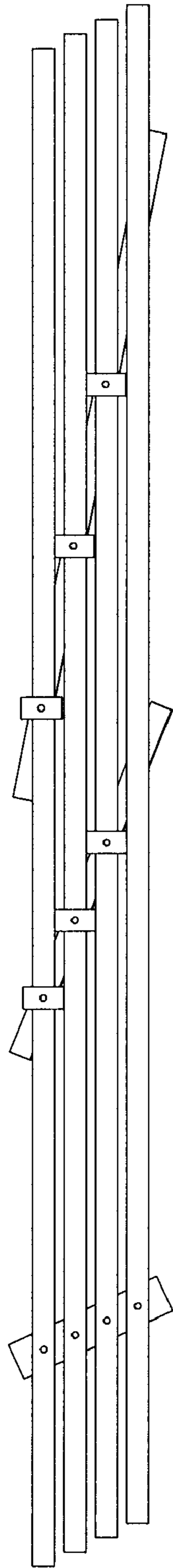


FIG. 9



FIG. 10