



US00D621521S

(12) **United States Design Patent**
Nuotio

(10) **Patent No.:** **US D621,521 S**

(45) **Date of Patent:** **** Aug. 10, 2010**

(54) **CUVETTE**

(75) Inventor: **Vesa Nuotio**, Espoo (FI)

(73) Assignee: **Thermo Fisher Scientific Oy**, Vantaa (FI)

(**) Term: **14 Years**

(21) Appl. No.: **29/336,846**

(22) Filed: **May 11, 2009**

(30) **Foreign Application Priority Data**

Nov. 18, 2008 (EM) 001040687

(51) **LOC (9) Cl.** **24-02**

(52) **U.S. Cl.** **D24/224**

(58) **Field of Classification Search** D24/216,
D24/224, 226; 356/246, 240; 422/64-65,
422/67, 102, 104

See application file for complete search history.

(56) **References Cited**

U.S. PATENT DOCUMENTS

D257,175 S *	9/1980	Terk	D24/226
D260,428 S *	8/1981	Fekete	D24/226
D265,124 S *	6/1982	Terk	D24/226
D266,589 S *	10/1982	Gilford et al.	D24/226
D278,182 S *	3/1985	Aihara et al.	D24/224

D288,845 S *	3/1987	Borer et al.	D24/226
D322,856 S *	12/1991	Heath et al.	D24/226
D325,090 S *	3/1992	Karp et al.	D24/226
D400,263 S *	10/1998	Shugart	D24/224
D594,131 S *	6/2009	Nguyen	D24/216

* cited by examiner

Primary Examiner—Elizabeth A Albert

Assistant Examiner—Kelley A Donnelly

(74) *Attorney, Agent, or Firm*—Birch, Stewart, Kolasch & Birch, LLP

(57) **CLAIM**

The ornamental design for a cuvette, as shown and described.

DESCRIPTION

FIG. 1 is a front, left, top perspective view of a cuvette showing my new design;

FIG. 2 is a front side view thereof;

FIG. 3 is a rear side view thereof;

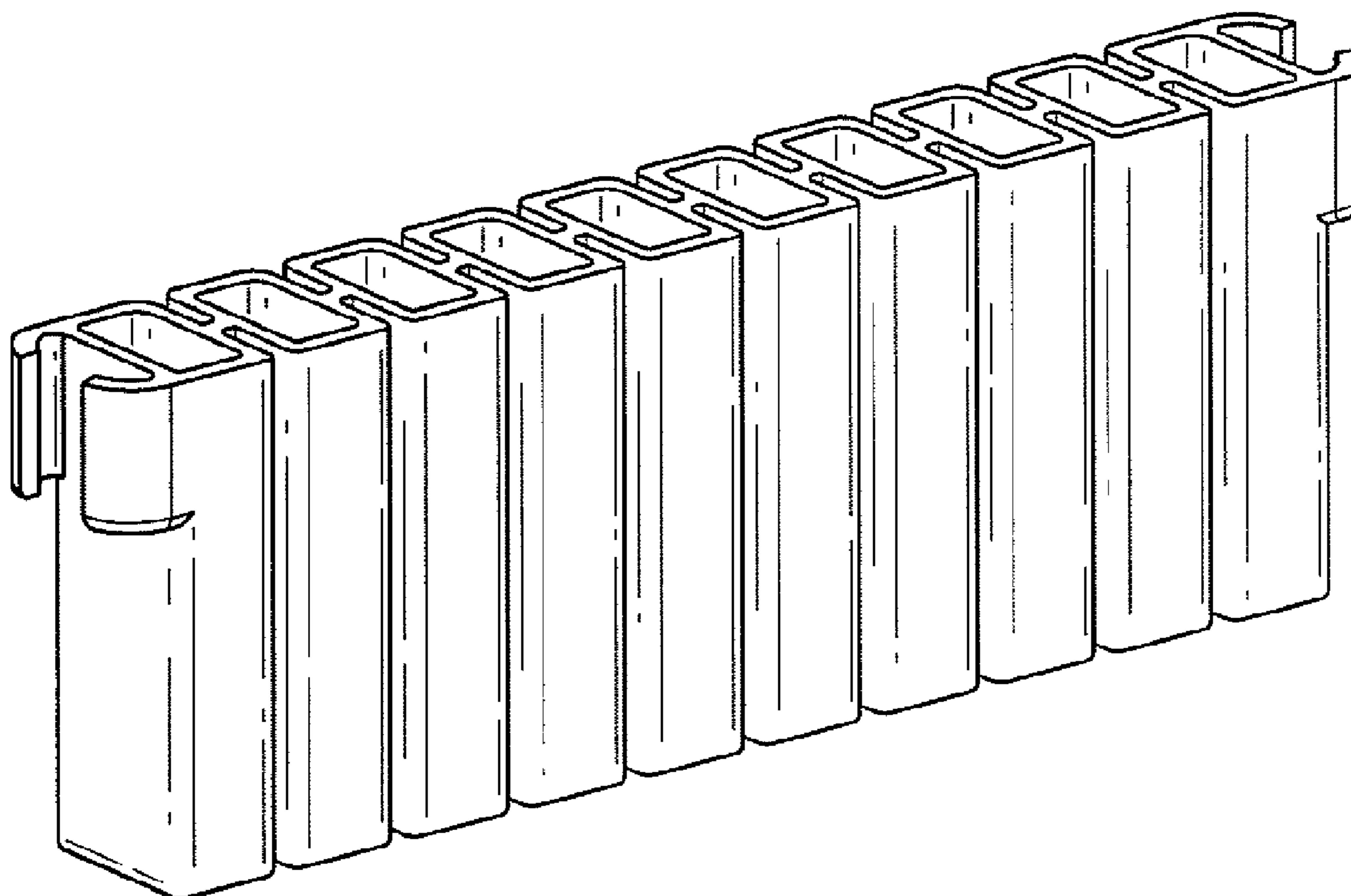
FIG. 4 is a top side view thereof;

FIG. 5 is a left side view thereof; and,

FIG. 6 is a right side view thereof.

The broken lines are for environmental purposes only and form no part of the claimed design.

1 Claim, 2 Drawing Sheets



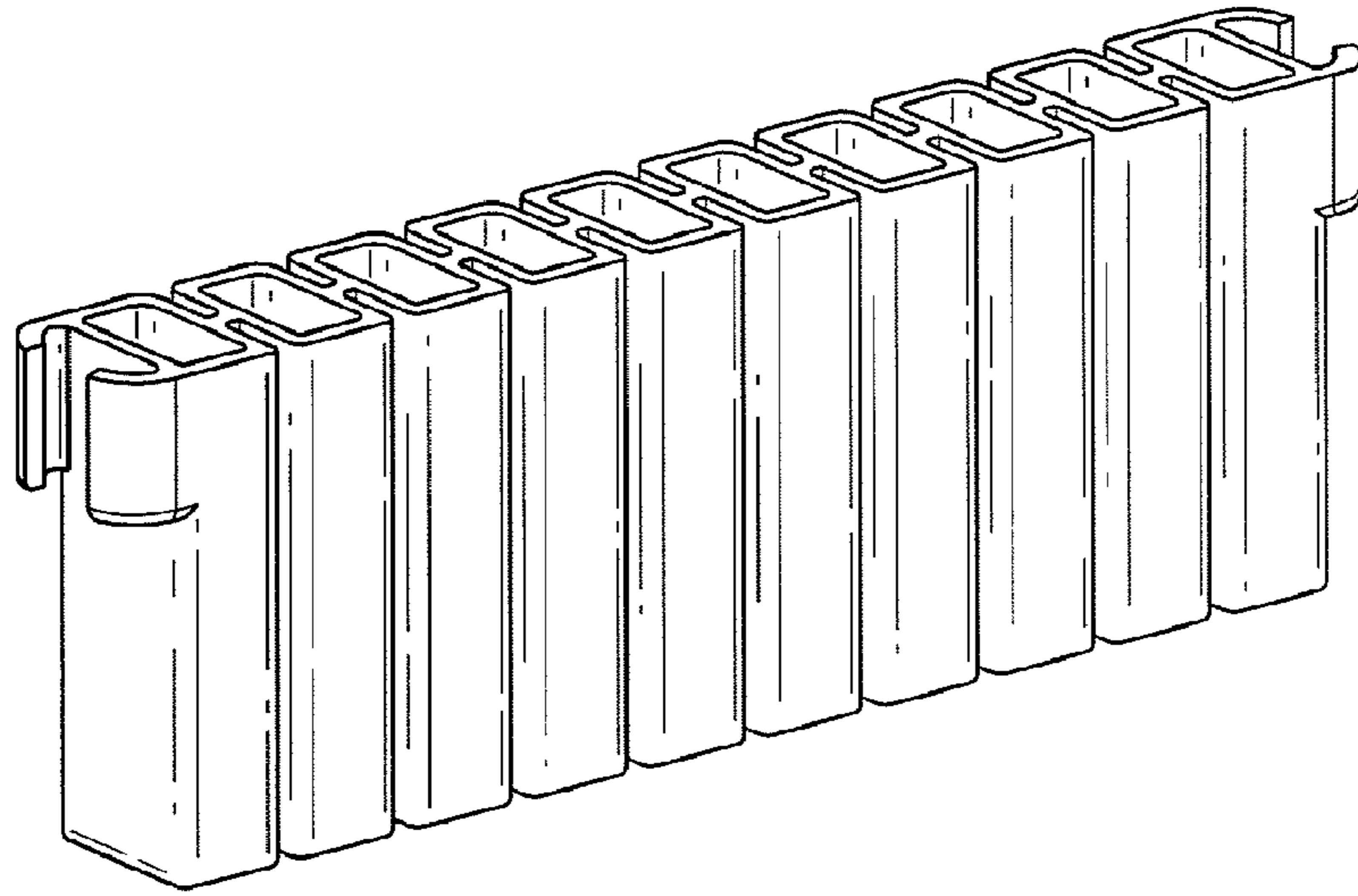


FIG. 1

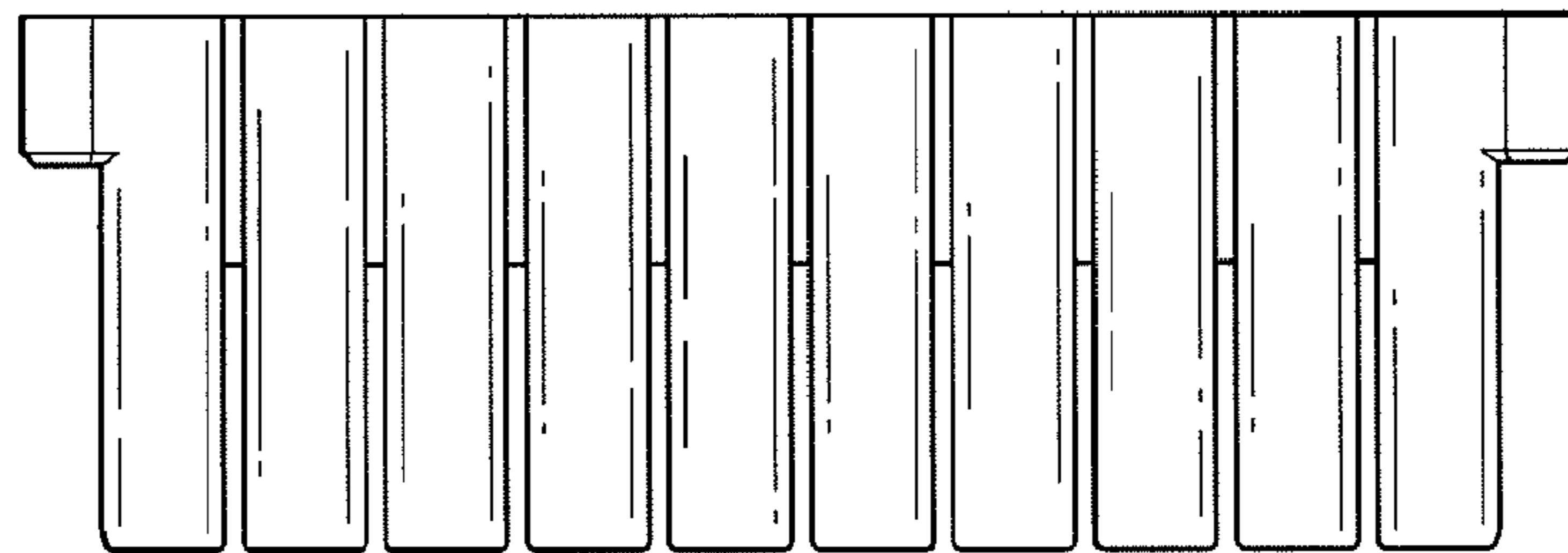


FIG. 2

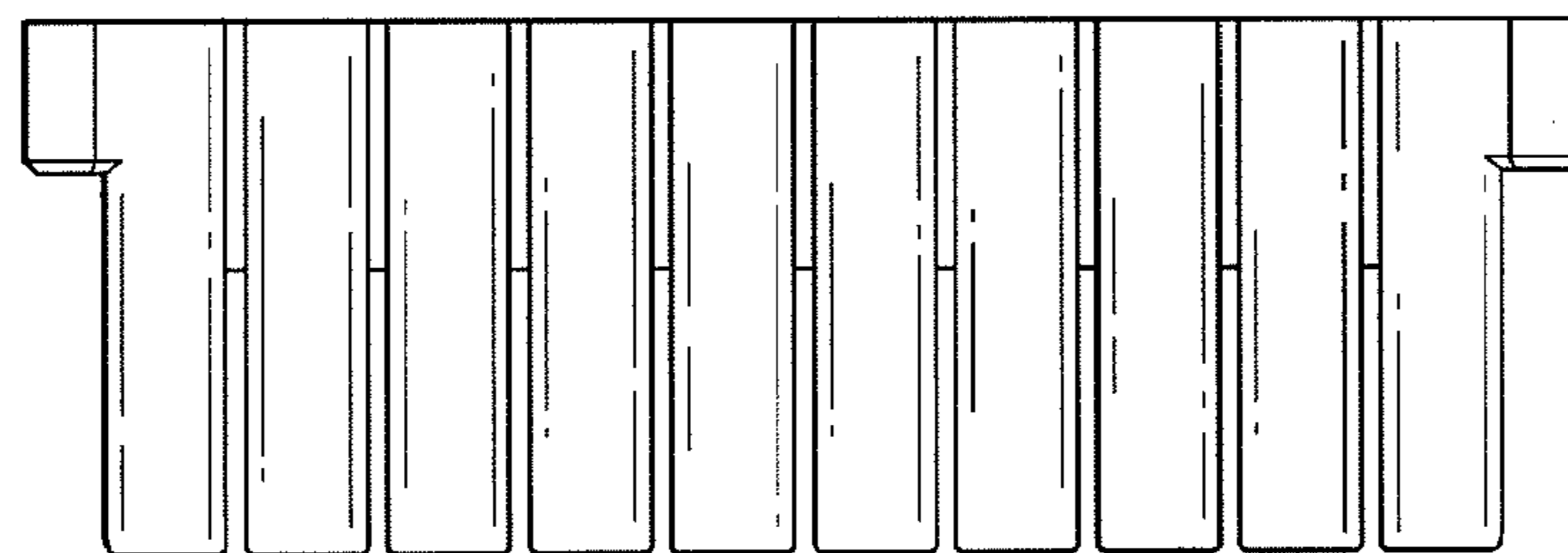


FIG. 3

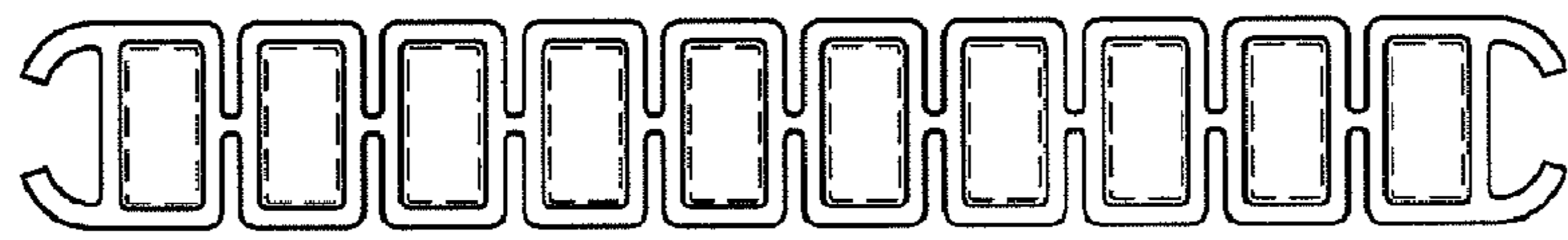


FIG. 4

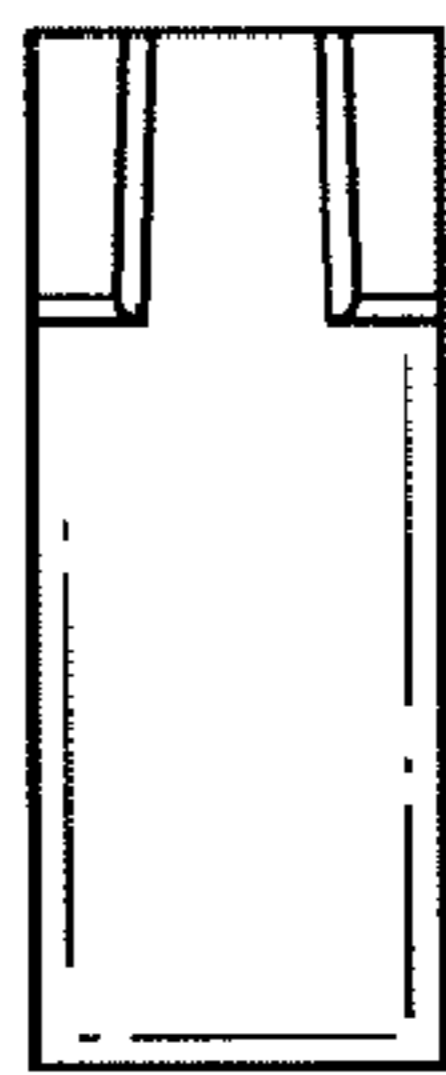


FIG. 5

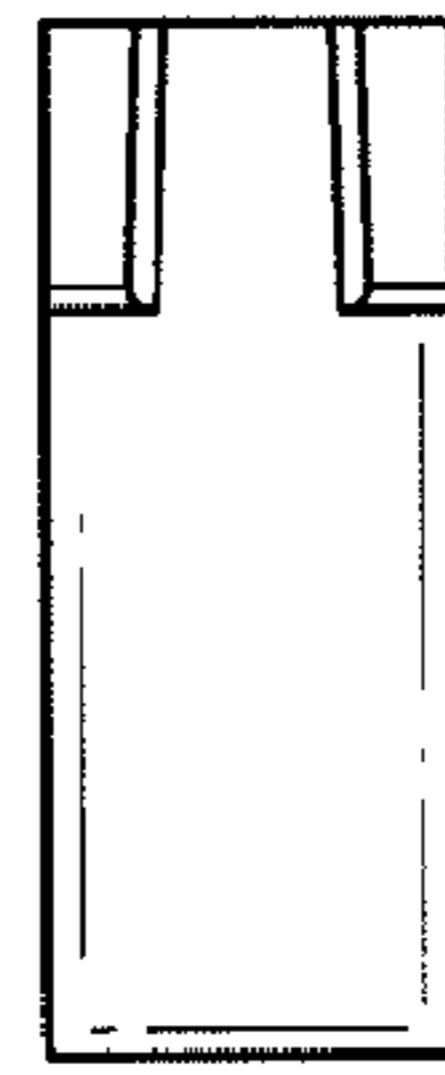


FIG. 6