



US00D621520S

(12) **United States Design Patent**  
**Talmer et al.**

(10) **Patent No.:** **US D621,520 S**

(45) **Date of Patent:** **\*\* \*Aug. 10, 2010**

(54) **CUVETTE**

5,571,479 A \* 11/1996 Koch ..... 422/102  
5,599,501 A 2/1997 Carey et al.

(75) Inventors: **Mark Talmer**, Pepperell, MA (US);  
**Paul C. Dahlstrom**, Hollis, NH (US)

(Continued)

(73) Assignee: **Biokit, S.A.**, Barcelona (ES)

FOREIGN PATENT DOCUMENTS

(\*) Notice: This patent is subject to a terminal disclaimer.

EP 0712000 5/1996

(Continued)

(\*\*) Term: **14 Years**

OTHER PUBLICATIONS

(21) Appl. No.: **29/327,915**

Siemens Global website @ <http://diagnostics.siemens.com/webapp/wcs/stores/servlet/Product>, for ACS:180® SE Automated Chemiluminescence System accessed Jun. 13, 2007, © Siemens AG, 2007.

(22) Filed: **Nov. 14, 2008**

**Related U.S. Application Data**

(63) Continuation-in-part of application No. 11/704,080, filed on Feb. 8, 2007.

*Primary Examiner*—Elizabeth A Albert  
*Assistant Examiner*—Kelley A Donnelly

(74) *Attorney, Agent, or Firm*—Burns & Levinson LLP;  
Ronda P. Moore

(51) **LOC (9) Cl.** ..... **24-02**

(57) **CLAIM**

(52) **U.S. Cl.** ..... **D24/224**

(58) **Field of Classification Search** ..... D24/216,  
D24/224, 226; 356/246, 240; 422/64–65,  
422/67, 102, 104

The ornamental design for a cuvette, as shown and described.

See application file for complete search history.

**DESCRIPTION**

(56) **References Cited**

FIG. 1 is a side perspective view of the cuvette according to the invention;

FIG. 2 is a top plan view of the cuvette thereof;

FIG. 3 is a bottom plan view of the cuvette thereof;

FIG. 4 is a first side wall plan view of the cuvette thereof;

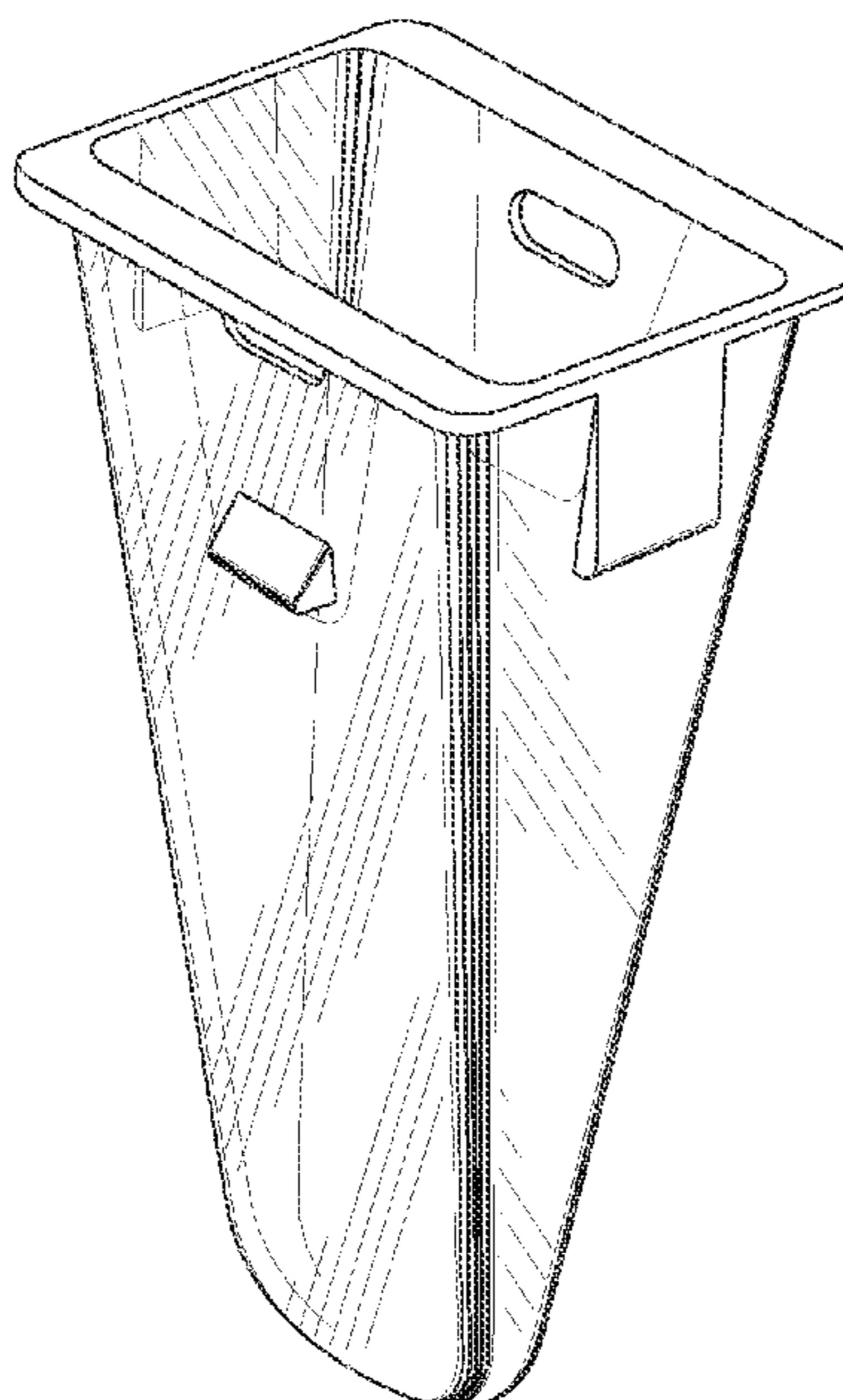
FIG. 5 is a second side wall plan view of the cuvette thereof; and,

FIG. 6 is a first end wall plan view of the cuvette thereof. The second end wall plan view of the cuvette is a mirror image of FIG. 6.

U.S. PATENT DOCUMENTS

D257,394 S	10/1980	Reichler	
D278,182 S	3/1985	Aihara et al.	
4,560,269 A *	12/1985	Baldszun et al.	356/246
5,098,661 A *	3/1992	Froehlich et al.	422/102
5,120,503 A	6/1992	Hinckley et al.	
D330,428 S	10/1992	Lewis et al.	
D342,793 S	12/1993	Balmer	
D343,905 S	2/1994	Nagata et al.	
D344,138 S	2/1994	Nagata	
5,540,890 A	7/1996	Clark et al.	

**1 Claim, 3 Drawing Sheets**



# US D621,520 S

Page 2

## U.S. PATENT DOCUMENTS

D380,555 S 7/1997 Kurosaki et al.  
D401,700 S \* 11/1998 Gray et al. .... D24/224  
5,888,835 A 3/1999 Bushnell et al.  
5,985,671 A 11/1999 Leistner et al.  
D431,299 S 9/2000 Lammie  
6,149,872 A 11/2000 Mack et al.  
6,413,420 B1 7/2002 Foy et al.  
6,562,239 B2 5/2003 Foy et al.  
D560,816 S 1/2008 Talmer et al.  
D581,737 S \* 12/2008 Starck ..... D7/509  
D583,933 S \* 12/2008 Finney et al. .... D24/121  
2003/0194799 A1 10/2003 Achter et al.  
2005/0271550 A1 12/2005 Talmer et al.

2006/0013729 A1 1/2006 Carey et al.  
2006/0110293 A1 5/2006 Fichera

## FOREIGN PATENT DOCUMENTS

EP 0806665 11/1997  
EP 0889328 1/1999  
JP 1028561 1/1989  
JP 8146001 6/1996  
JP 10123136 5/1998  
JP 2000111557 4/2000  
JP 2001116752 4/2001  
WO WO 98/18008 4/1998  
WO WO 03/086637 10/2003  
WO WO 2005/124365 12/2005

\* cited by examiner

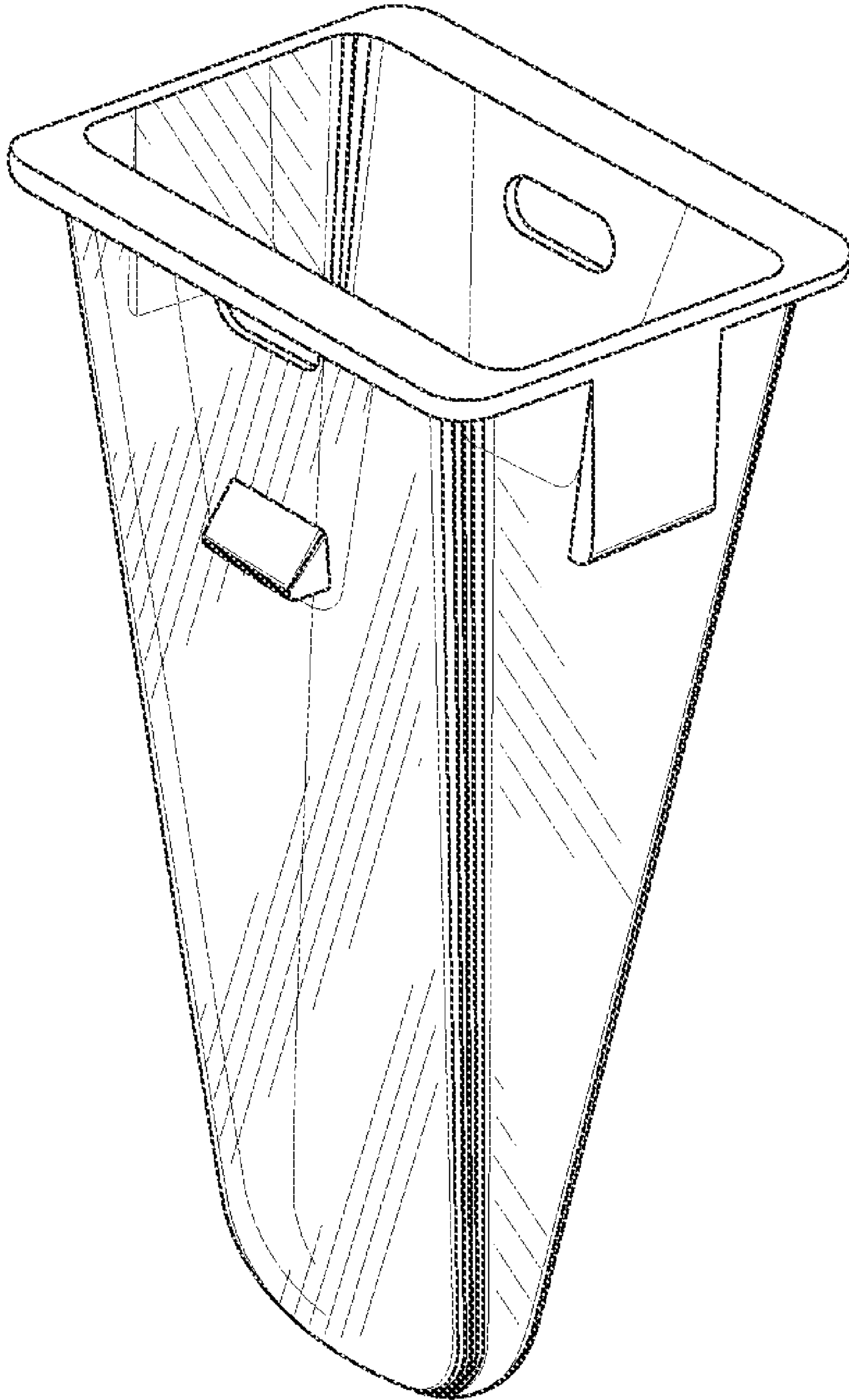


Fig. 1

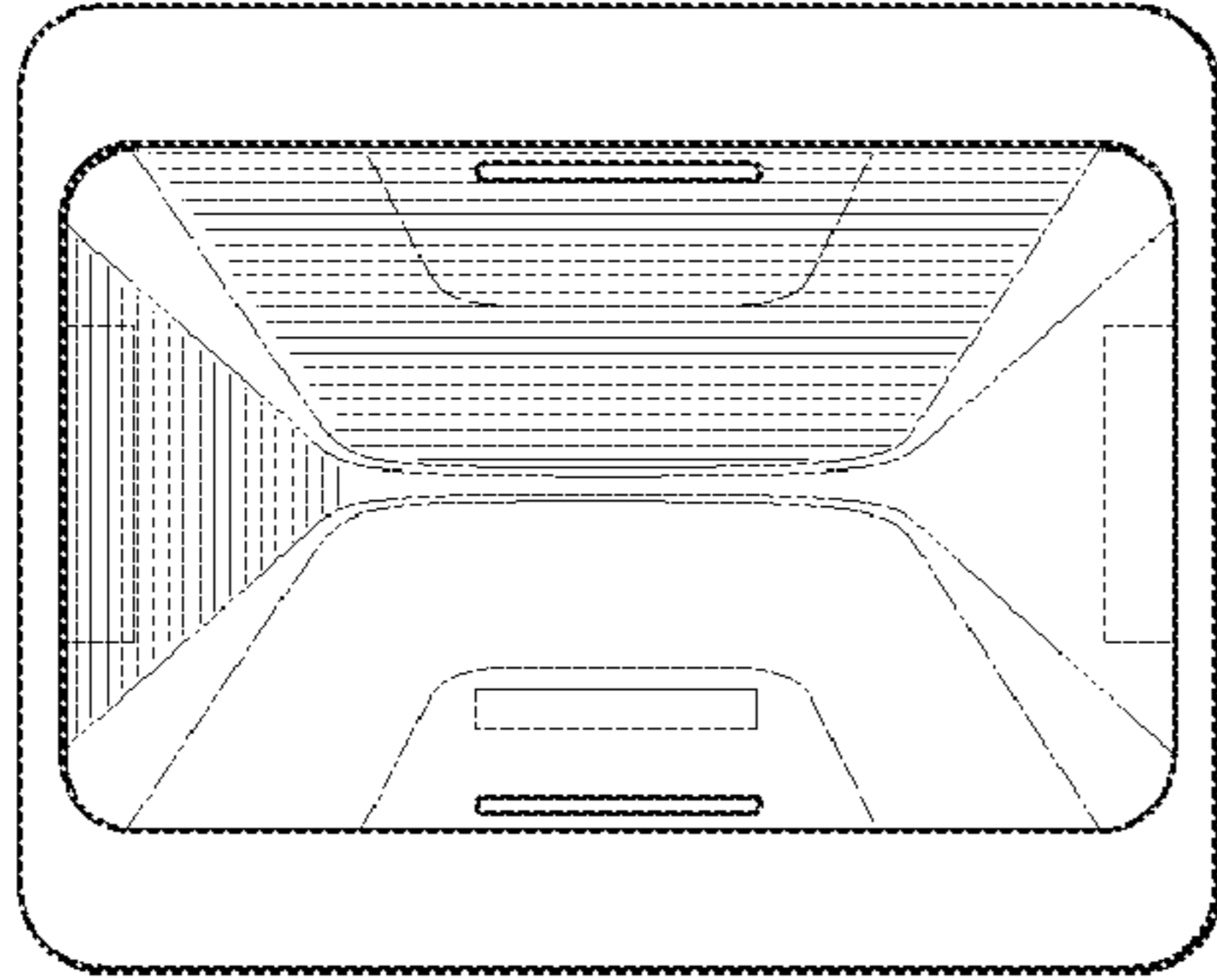


Fig. 2

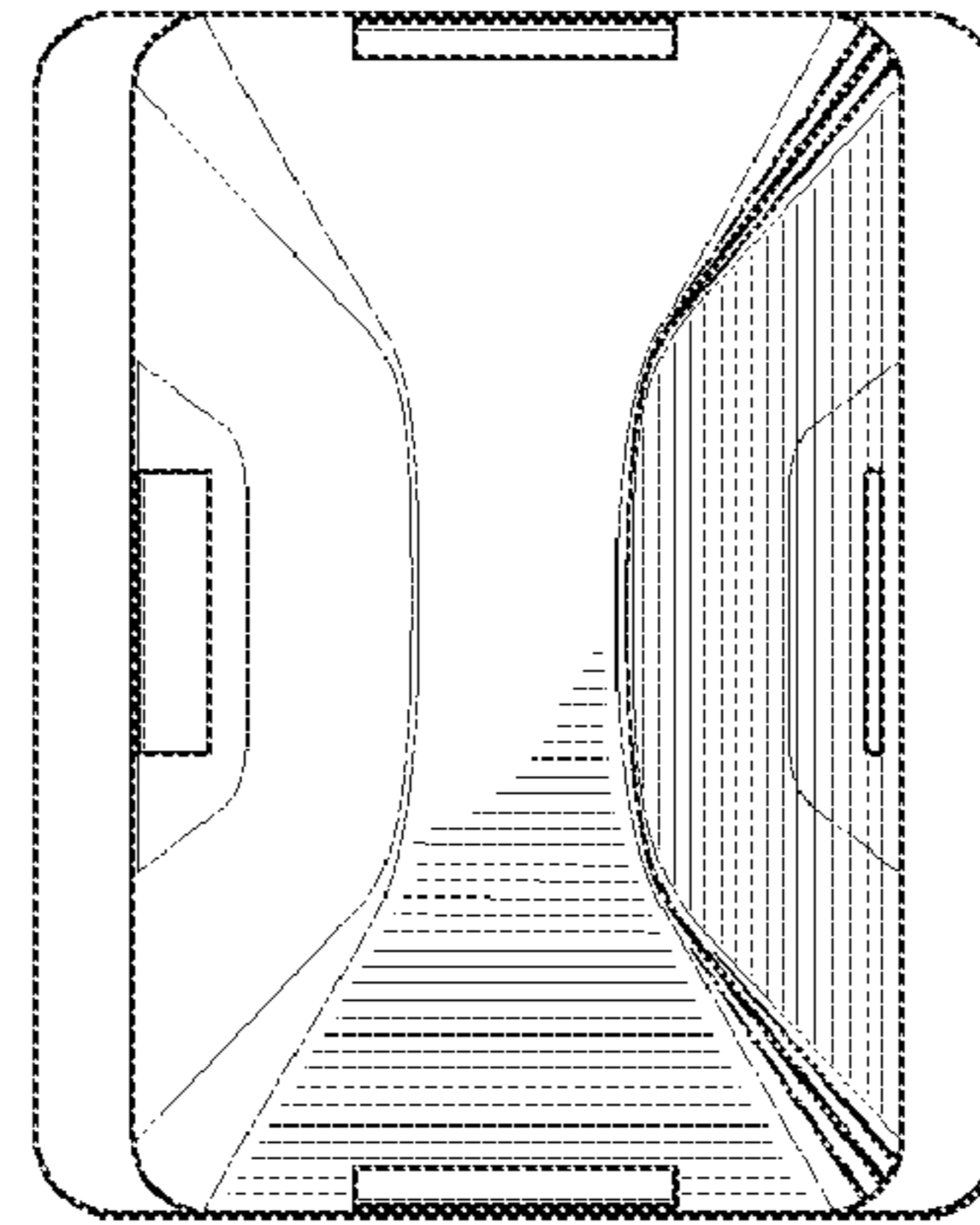


Fig. 3

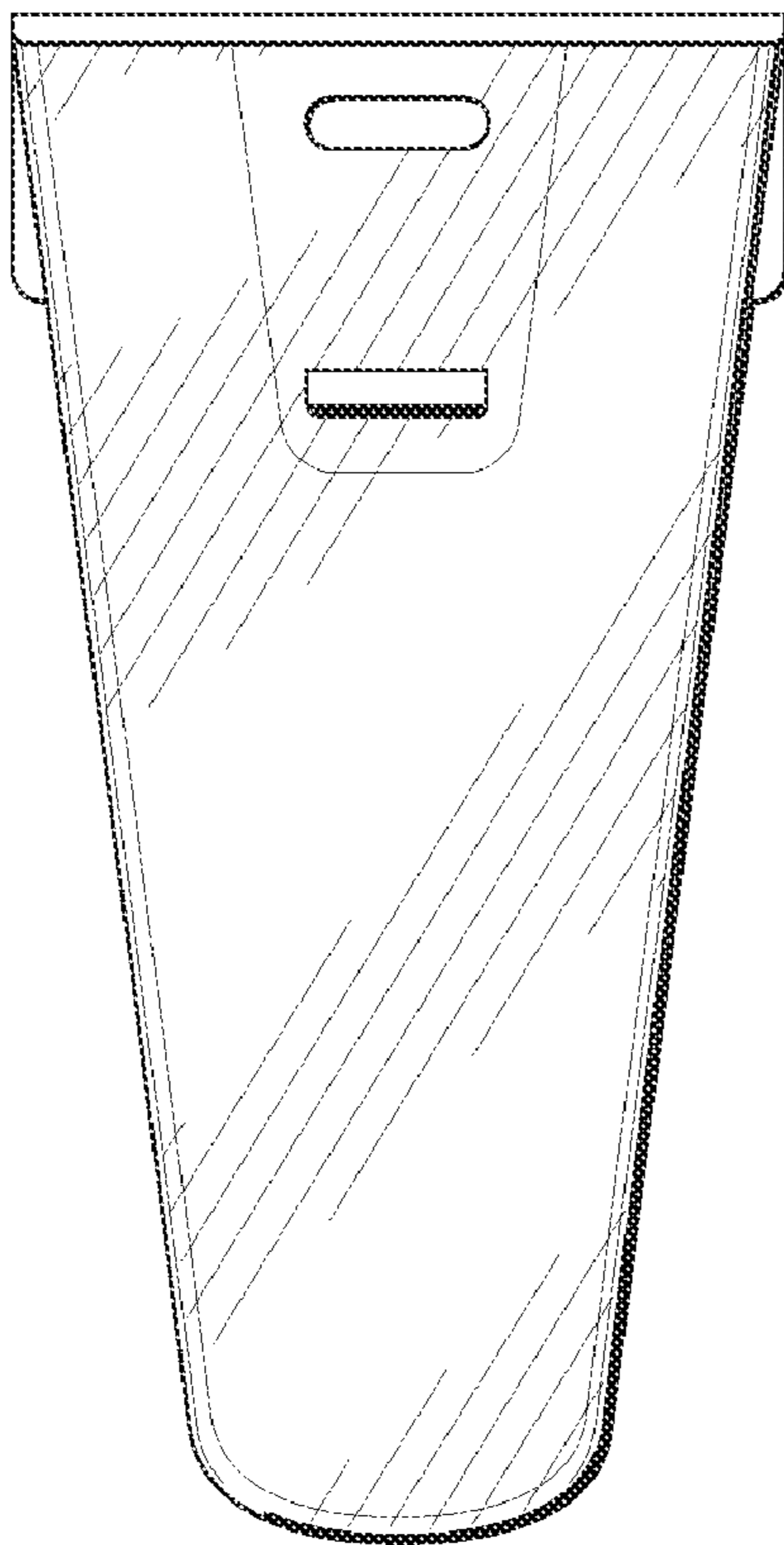


Fig. 4

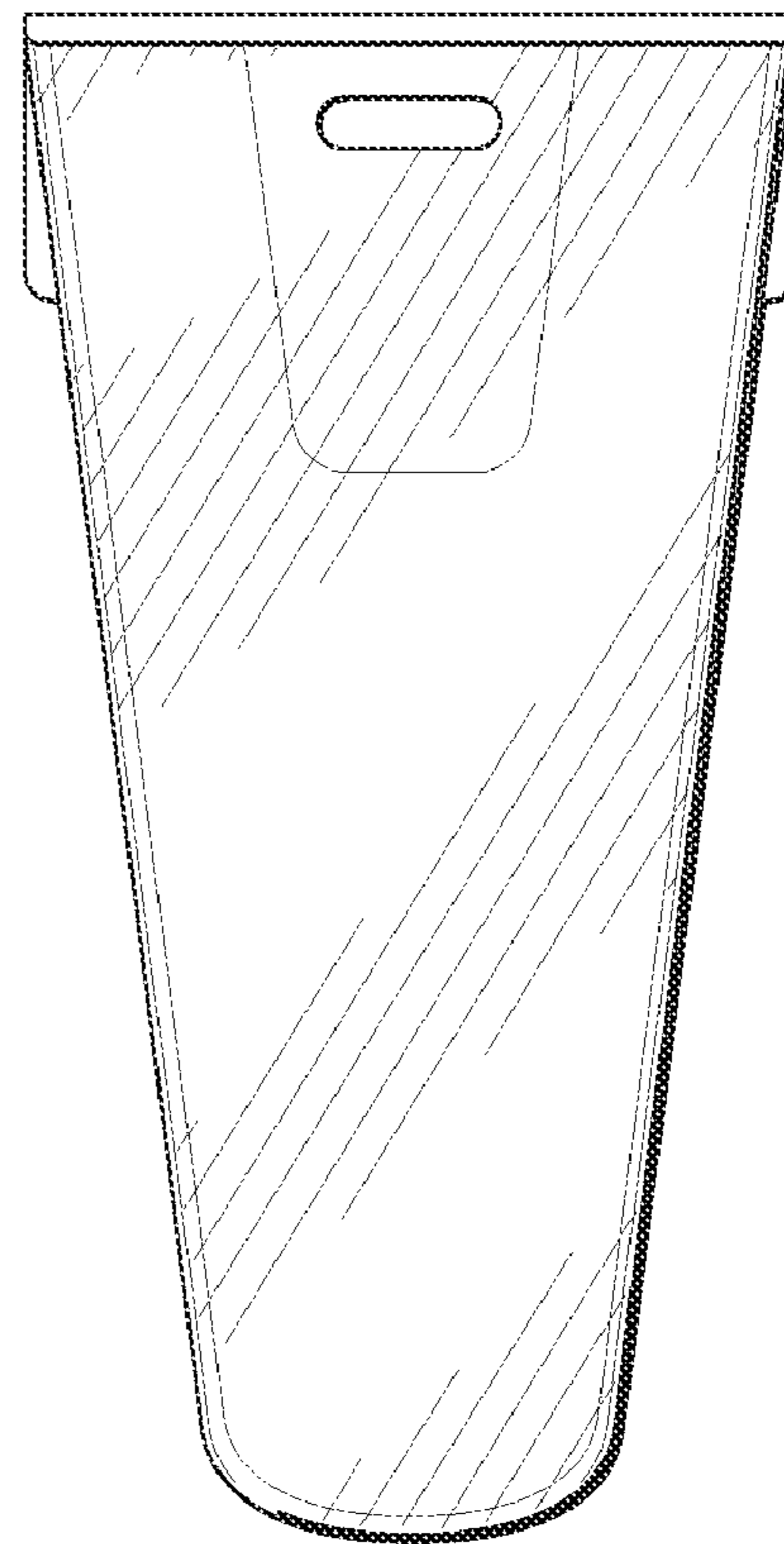


Fig. 5

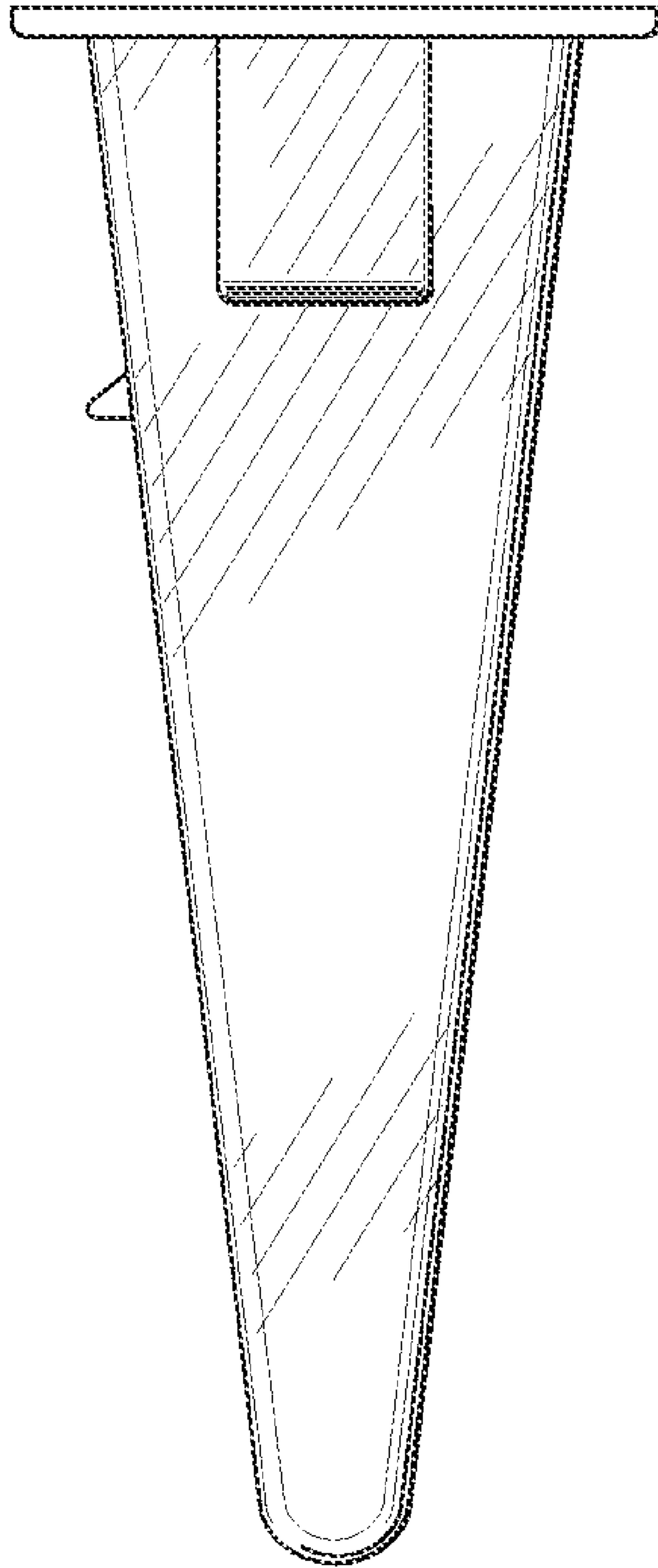


Fig. 6