



US00D621519S

(12) **United States Design Patent**  
**Ton**

(10) **Patent No.:** **US D621,519 S**

(45) **Date of Patent:** **\*\* Aug. 10, 2010**

(54) **PEDICURE SPA**

(76) **Inventor:** **Quy That Ton**, 3131 Dalrymple Dr.,  
Baton Rouge, LA (US) 70802

(\*\*) **Term:** **14 Years**

(21) **Appl. No.:** **29/340,444**

(22) **Filed:** **Jul. 18, 2009**

(51) **LOC (9) Cl.** ..... **24-04**

(52) **U.S. Cl.** ..... **D24/204**

(58) **Field of Classification Search** ..... D24/204,  
D24/200, 201, 202, 203, 205, 207, 212, 213,  
D24/231; D6/335, 336, 338, 491, 495; D28/56,  
D28/61; 4/574.1, 621, 622; 601/30-32,  
601/64, 98, 99, 101, 102, 104, 105, 157,  
601/158; 607/111

See application file for complete search history.

(56) **References Cited**

**U.S. PATENT DOCUMENTS**

D247,511 S *	3/1978	Lee et al.	.....	D24/205
D303,162 S *	8/1989	Meyerovich et al.	.....	D28/61
D346,043 S *	4/1994	Galati et al.	.....	D28/61
D457,018 S *	5/2002	Park	.....	D6/495
6,503,212 B2 *	1/2003	Park	.....	601/158
D506,830 S *	6/2005	Zimmermann	.....	D24/204
D546,957 S *	7/2007	Ton	.....	D24/201
D561,903 S	2/2008	Ton		
D563,558 S	3/2008	Ton		
D563,559 S	3/2008	Ton		

D564,099 S *	3/2008	Ton	.....	D24/204
D568,485 S	5/2008	Ton		
D571,018 S *	6/2008	Ton et al.	.....	D24/204
D571,961 S *	6/2008	Nguyen	.....	D28/56
D573,368 S	7/2008	Ton		
D595,059 S	6/2009	Ton		
D600,355 S	9/2009	Ton		
D600,356 S	9/2009	Ton		
D600,815 S	9/2009	Ton		

\* cited by examiner

*Primary Examiner*—Prabhakar Deshmukh

*Assistant Examiner*—Derrick Holland

(74) *Attorney, Agent, or Firm*—Duane Morris LLP

(57) **CLAIM**

The ornamental design of the pedicure spa, as shown and described.

**DESCRIPTION**

FIG. 1 is a front, left and top perspective view of a pedicure spa showing my new design;

FIG. 2 is a top plan view thereof;

FIG. 3 is a right side elevation view thereof;

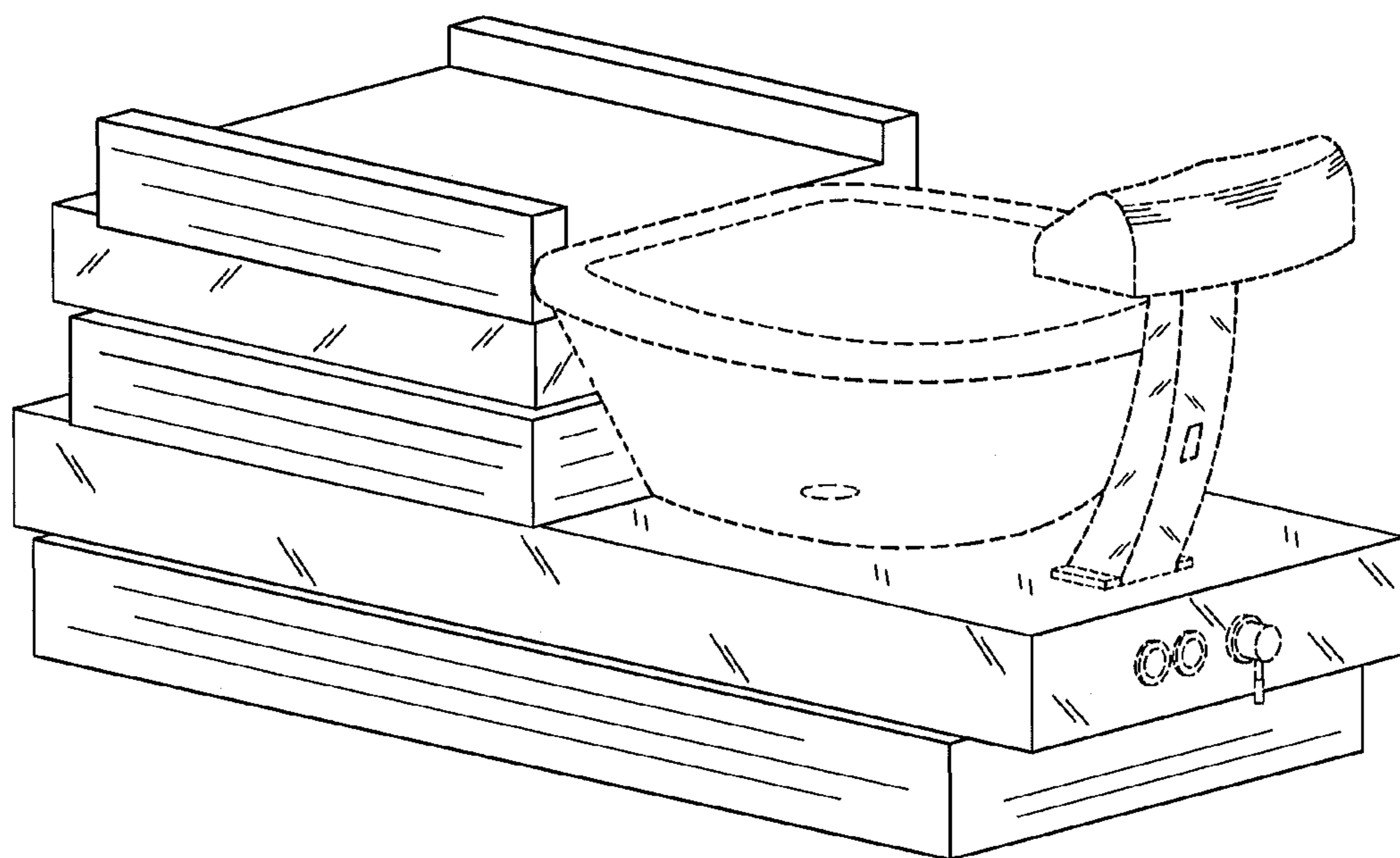
FIG. 4 is a left side elevation view thereof;

FIG. 5 is a front elevation view thereof; and,

FIG. 6 is a rear elevation view thereof.

The broken lines shown represent unclaimed subject matter and form no part of the claimed design.

**1 Claim, 3 Drawing Sheets**



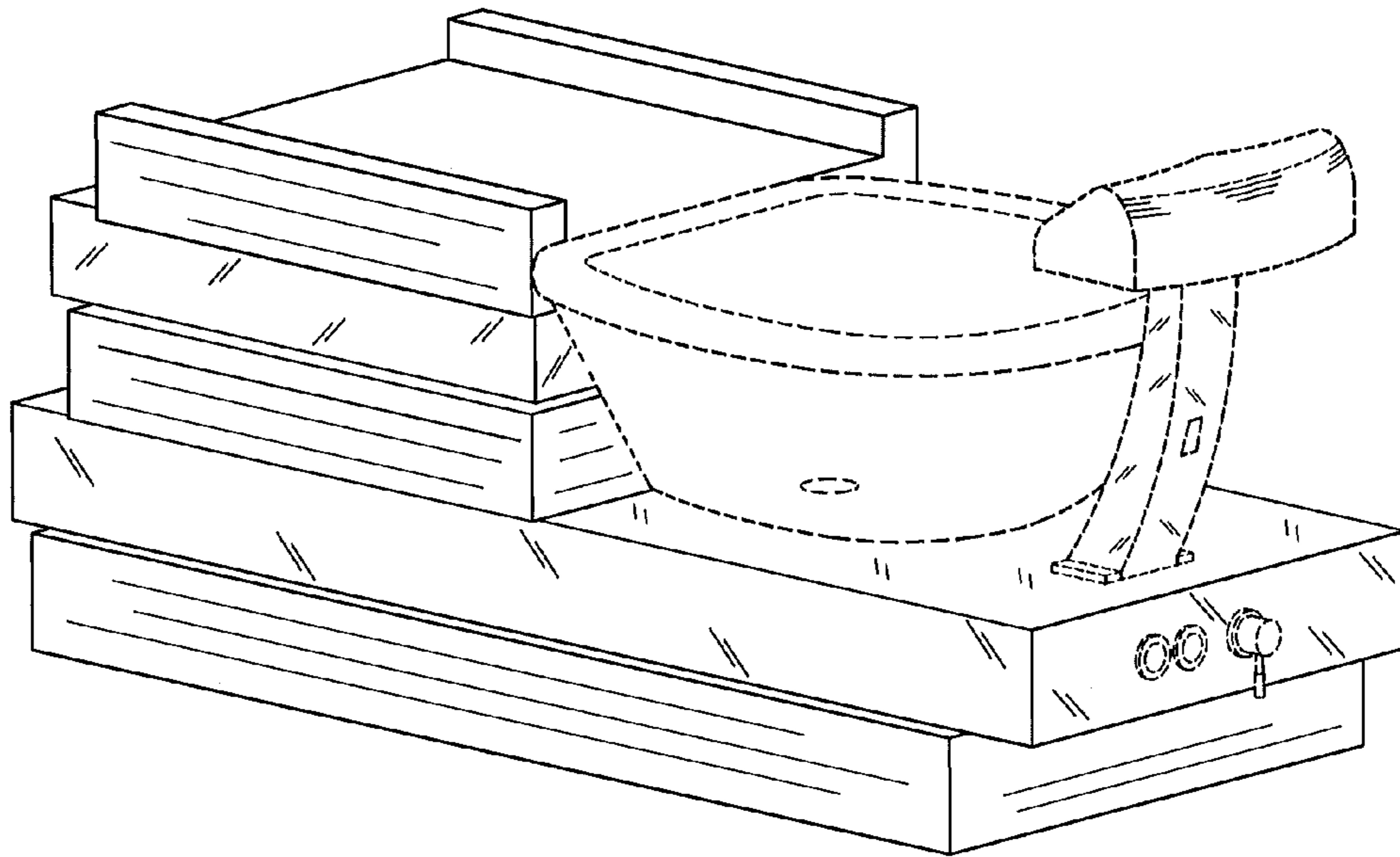


FIG. 1

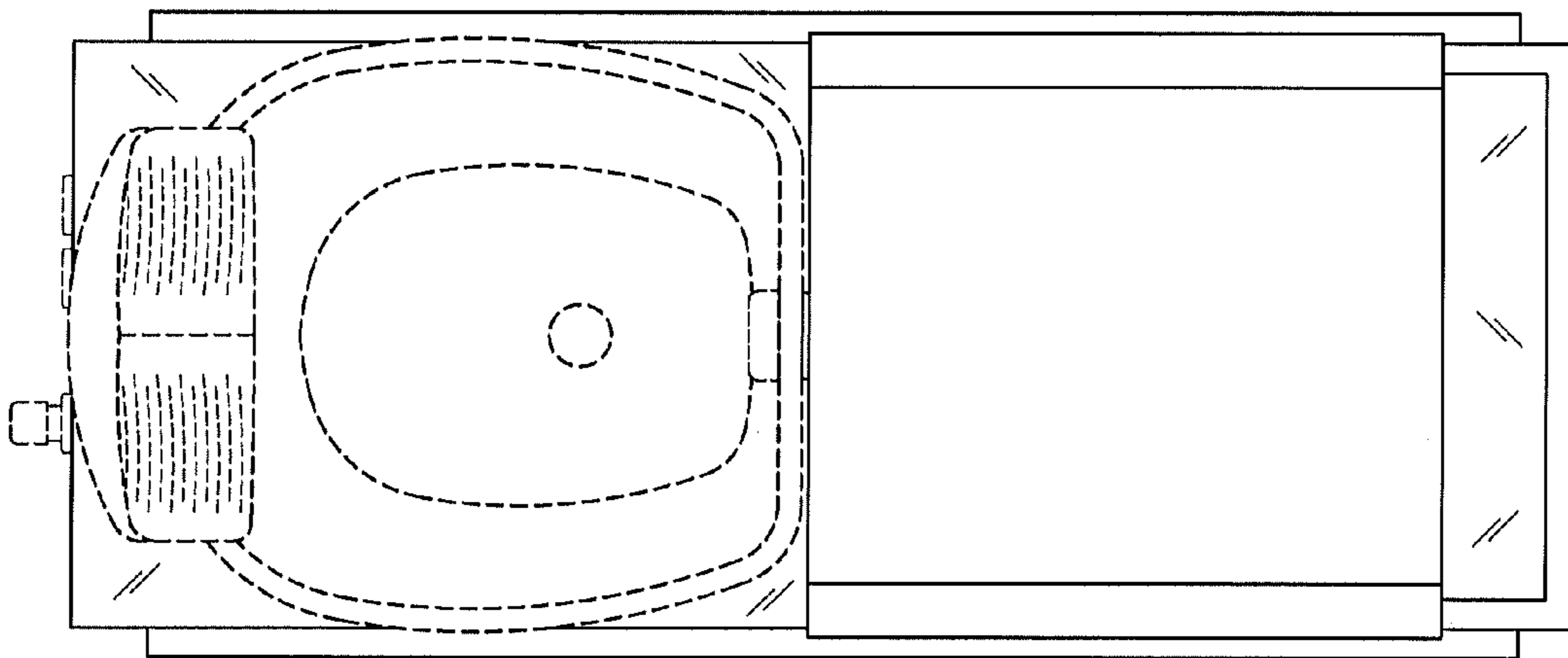


FIG. 2

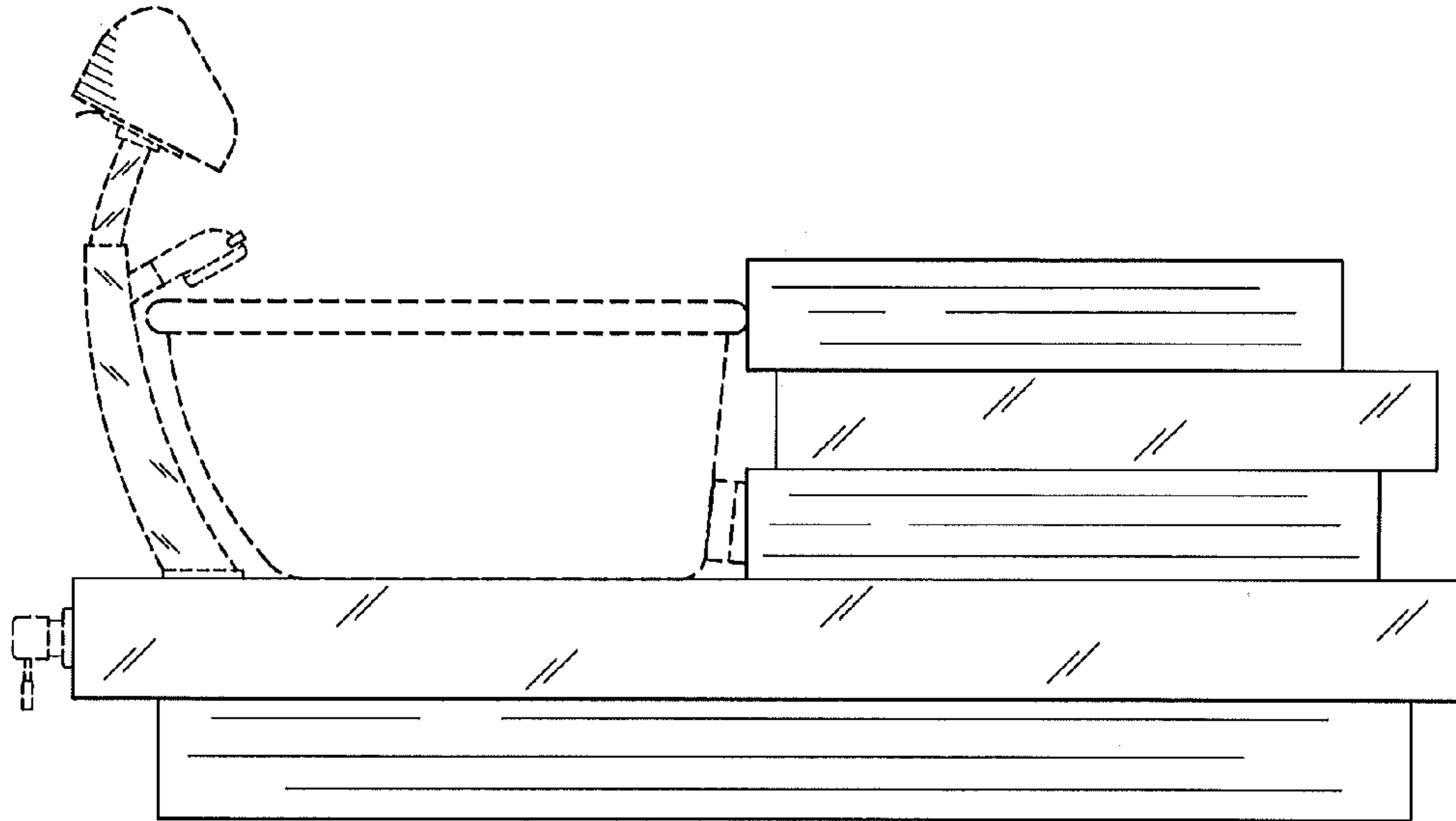


FIG. 3

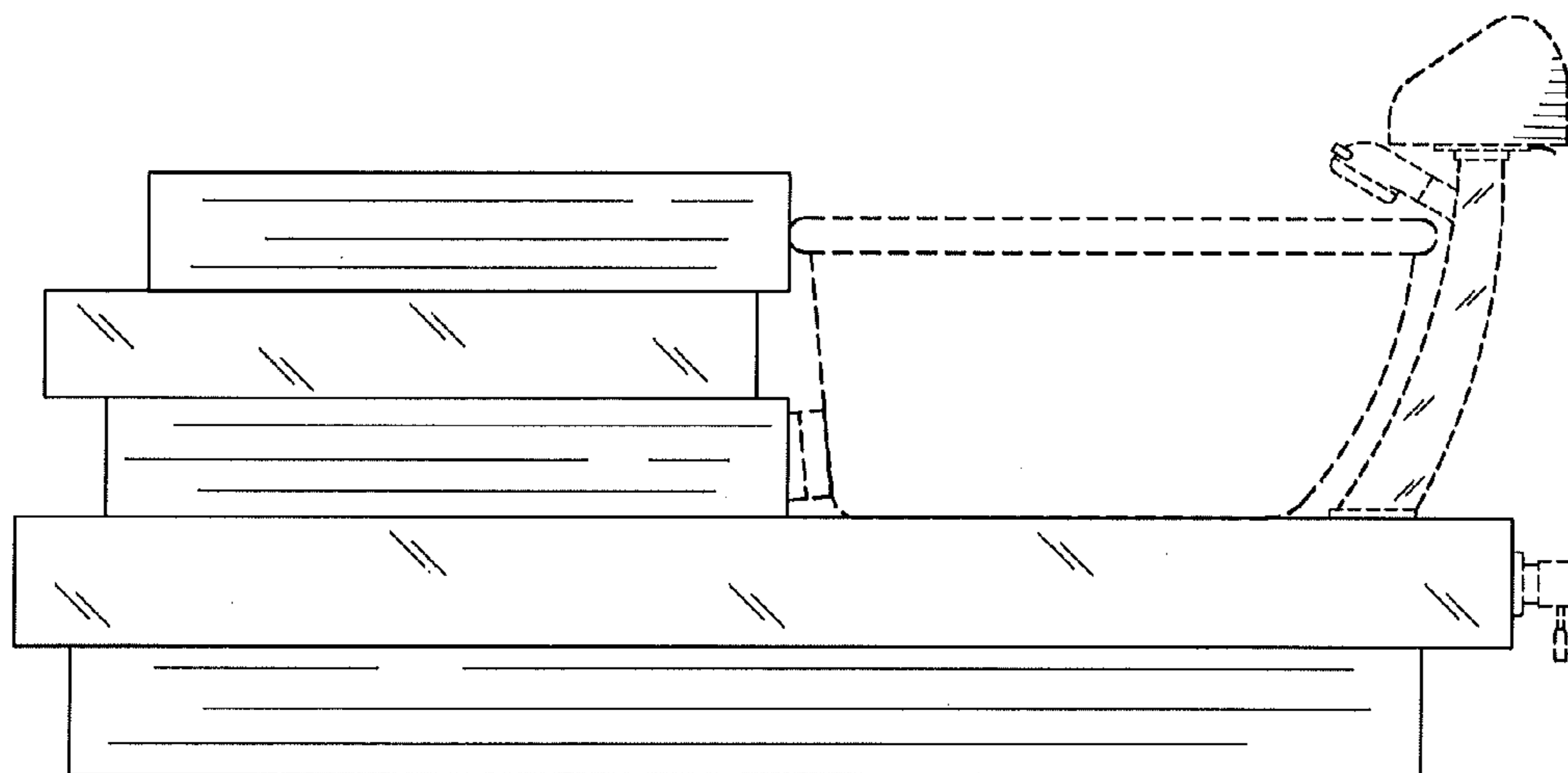


FIG. 4

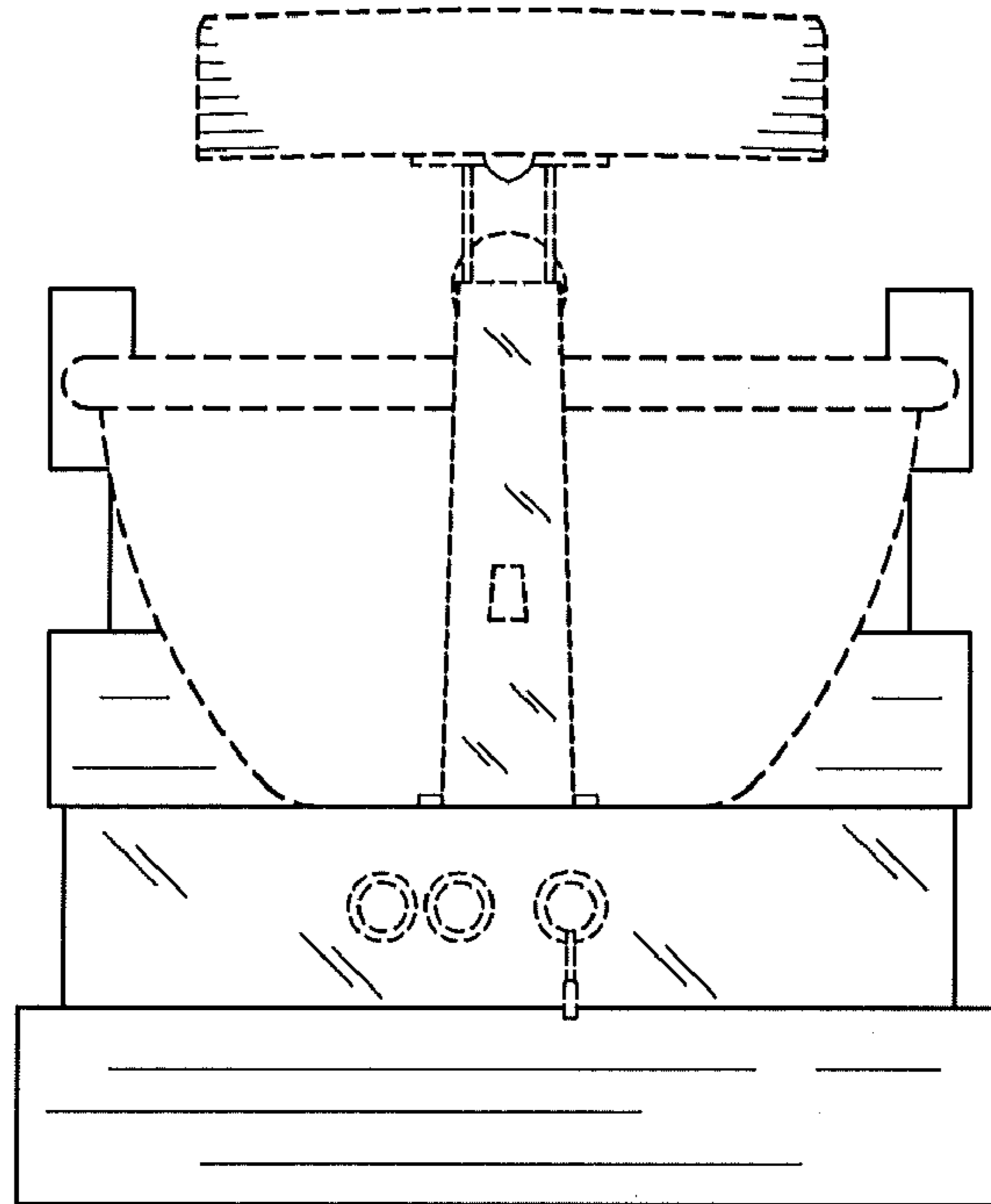


FIG. 5

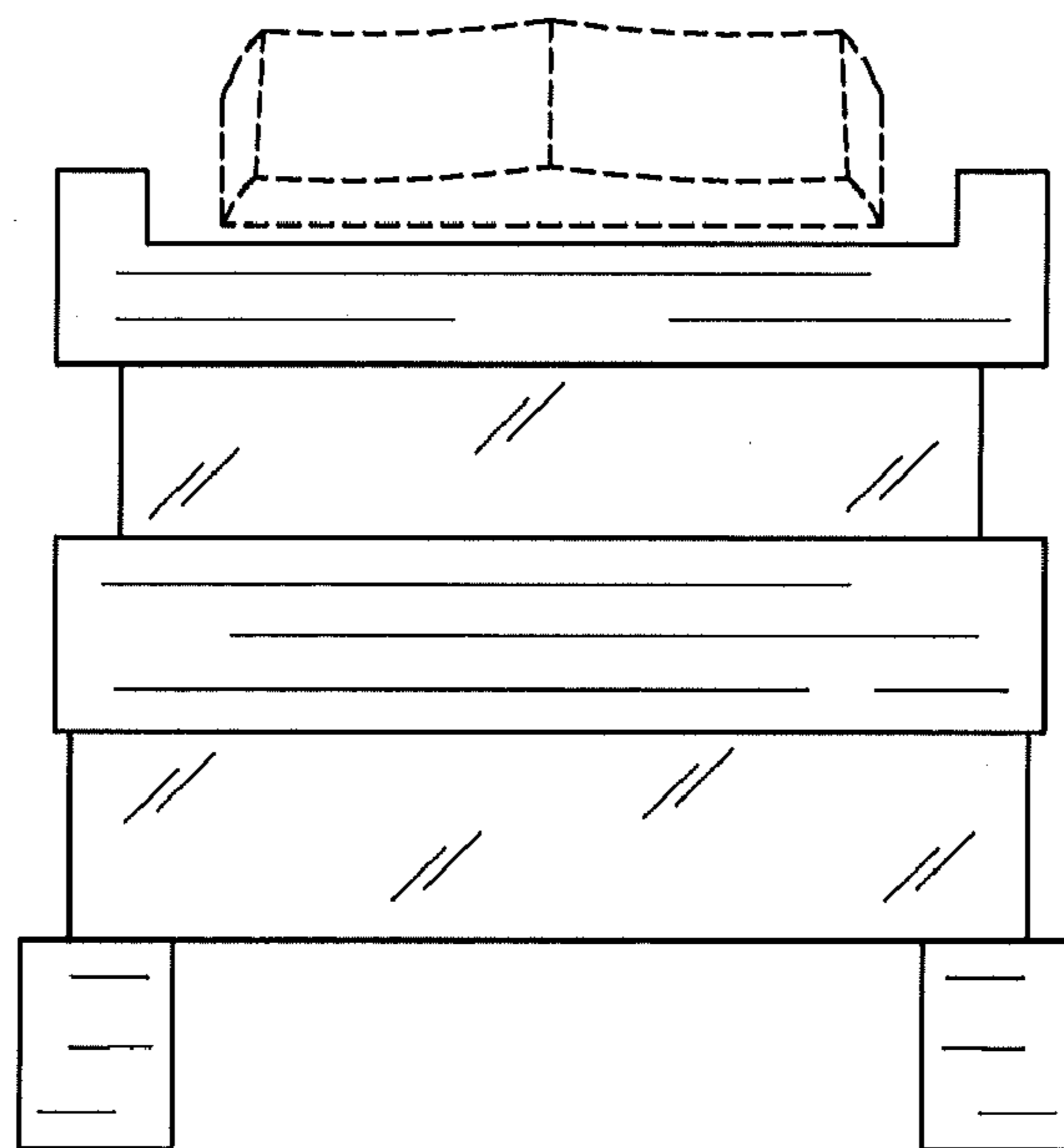


FIG. 6