



US00D621517S

(12) **United States Design Patent**  
**Adamson-Macedo**

(10) **Patent No.:** **US D621,517 S**

(45) **Date of Patent:** **\*\* Aug. 10, 2010**

(54) **DEVELOPMENTAL AID FOR AN INFANT OR INFIRM PERSON**

6,558,165 B1 5/2003 Curry et al.  
3,206,834 A1 6/2003 Chiao et al.

(Continued)

(75) Inventor: **Elvidina Nabuco Adamson-Macedo**,  
Glendevon (GB)

**FOREIGN PATENT DOCUMENTS**

DE 19626384 1/1998

(Continued)

(73) Assignee: **University of Wolverhampton** (GB)

(\*\*) Term: **14 Years**

**OTHER PUBLICATIONS**

(21) Appl. No.: **29/281,447**

PCT Preliminary on Patentability / International Search Report and Written Opinion, PCT/GB2005/005015, Dec. 22, 2005—(9 pages).

(Continued)

(22) Filed: **Jun. 22, 2007**

(51) **LOC (9) Cl.** ..... **24-04**

(52) **U.S. Cl.** ..... **D24/188**

(58) **Field of Classification Search** ..... D24/124,  
D24/188-190; 128/869, 876-879, 882, DIG. 15;  
602/21

*Primary Examiner*—Holly H Baynham

*Assistant Examiner*—Michelle E Wilson

(74) *Attorney, Agent, or Firm*—Boyle Fredrickson, S.C.

See application file for complete search history.

(57) **CLAIM**

The ornamental design for a developmental aid for an infant or infirm person, as shown and described.

(56) **References Cited**

**U.S. PATENT DOCUMENTS**

432,798	A *	7/1890	Hirst	604/308
1,984,613	A *	12/1934	Moller	128/879
RE20,858	E *	9/1938	Moller	128/879
2,586,608	A *	2/1952	Bryson	128/879
2,693,794	A *	11/1954	Neville	600/499
2,698,618	A *	1/1955	Evenstad	128/885
2,744,526	A *	5/1956	Saylors	128/877
3,415,244	A *	12/1968	Block	128/879
3,476,108	A *	11/1969	Matukas	128/879
3,724,456	A *	4/1973	Waxman	128/877
3,736,926	A *	6/1973	Irby	128/879
4,481,942	A *	11/1984	Duncan	128/878
4,517,424	A	5/1985	Kroczyński et al.	
4,590,625	A	5/1986	Keim	
4,773,639	A *	9/1988	Graves	482/66
4,905,001	A	2/1990	Penner et al.	
5,076,569	A	12/1991	Gootter et al.	
5,327,918	A *	7/1994	Stewart et al.	132/73
5,989,099	A	11/1999	Arnold, III et al.	
6,244,271	B1	6/2001	Turner et al.	
6,497,673	B2 *	12/2002	Rogalski	602/20

**DESCRIPTION**

FIG. 1 is a front view of a developmental aid for an infant or infirm person, showing our new design;

FIG. 2 is a top view of the developmental aid of FIG. 1;

FIG. 3 is a bottom view of the developmental aid of FIG. 1;

FIG. 4 is a rear view of the developmental aid of FIG. 1;

FIG. 5 is a side view of the developmental aid of FIG. 1;

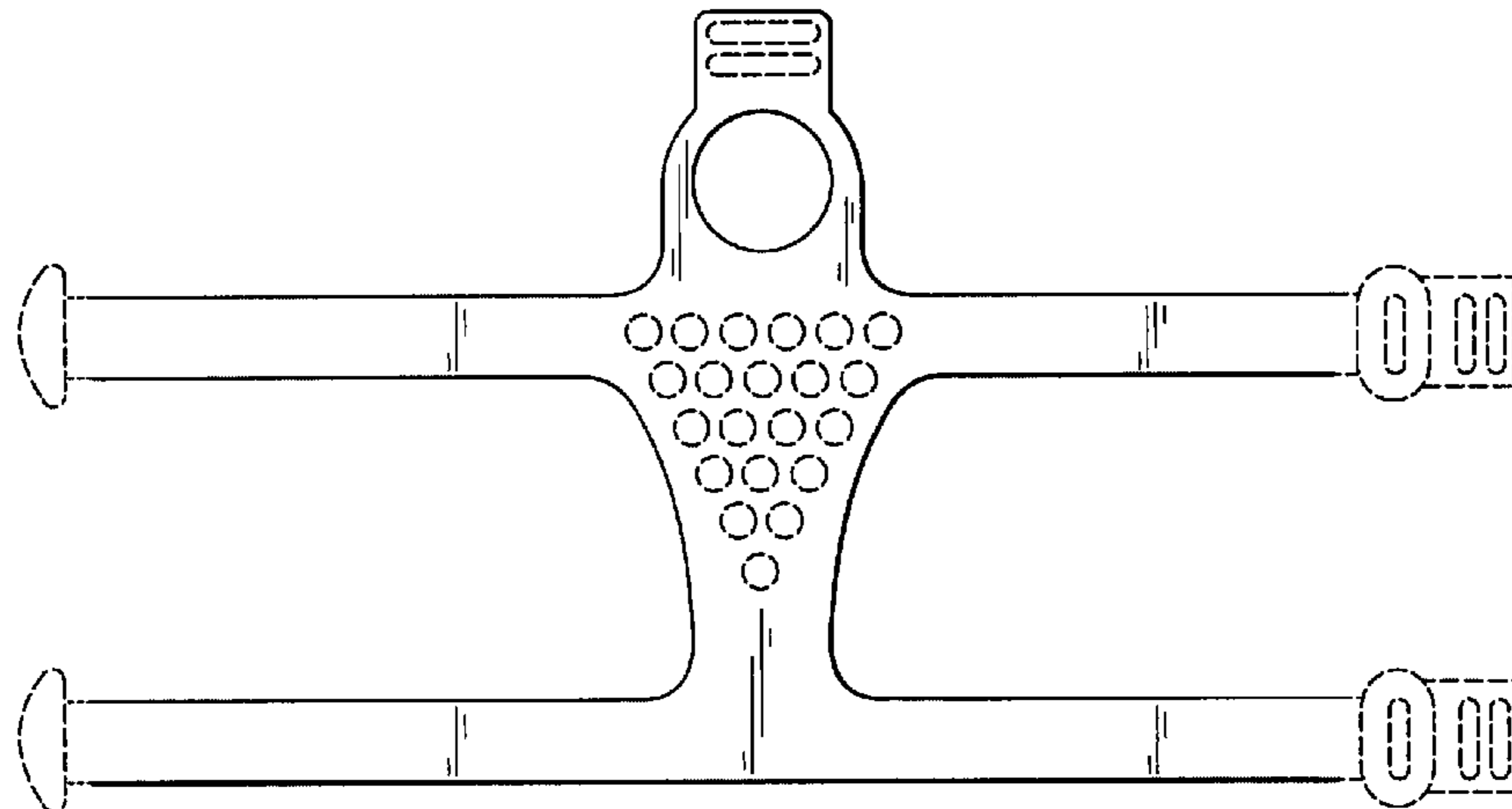
FIG. 6 is an opposite side view of the developmental aid of FIG. 1;

FIG. 7 is a perspective view of the developmental aid of FIG. 1, viewed from above, in front of, and to the right of the developmental aid, wherein the developmental aid is being shown on a hand, illustrated by the broken lines; and,

FIG. 8 is a front view of a developmental aid for an infant or infirm person, showing our new design in a different environment.

Wherein the broken lines shown in the drawings are for illustrative purposes only and form no part of the claimed design.

**1 Claim, 4 Drawing Sheets**



U.S. PATENT DOCUMENTS

6,669,657 B1 12/2003 Ongwela  
6,817,864 B1 \* 11/2004 Martinez ..... 434/258  
6,832,391 B1 12/2004 Bower  
D588,704 S \* 3/2009 Duplessie ..... D24/190  
2003/0000005 A1 1/2003 Faulconer  
2003/0188373 A1 10/2003 Garneau

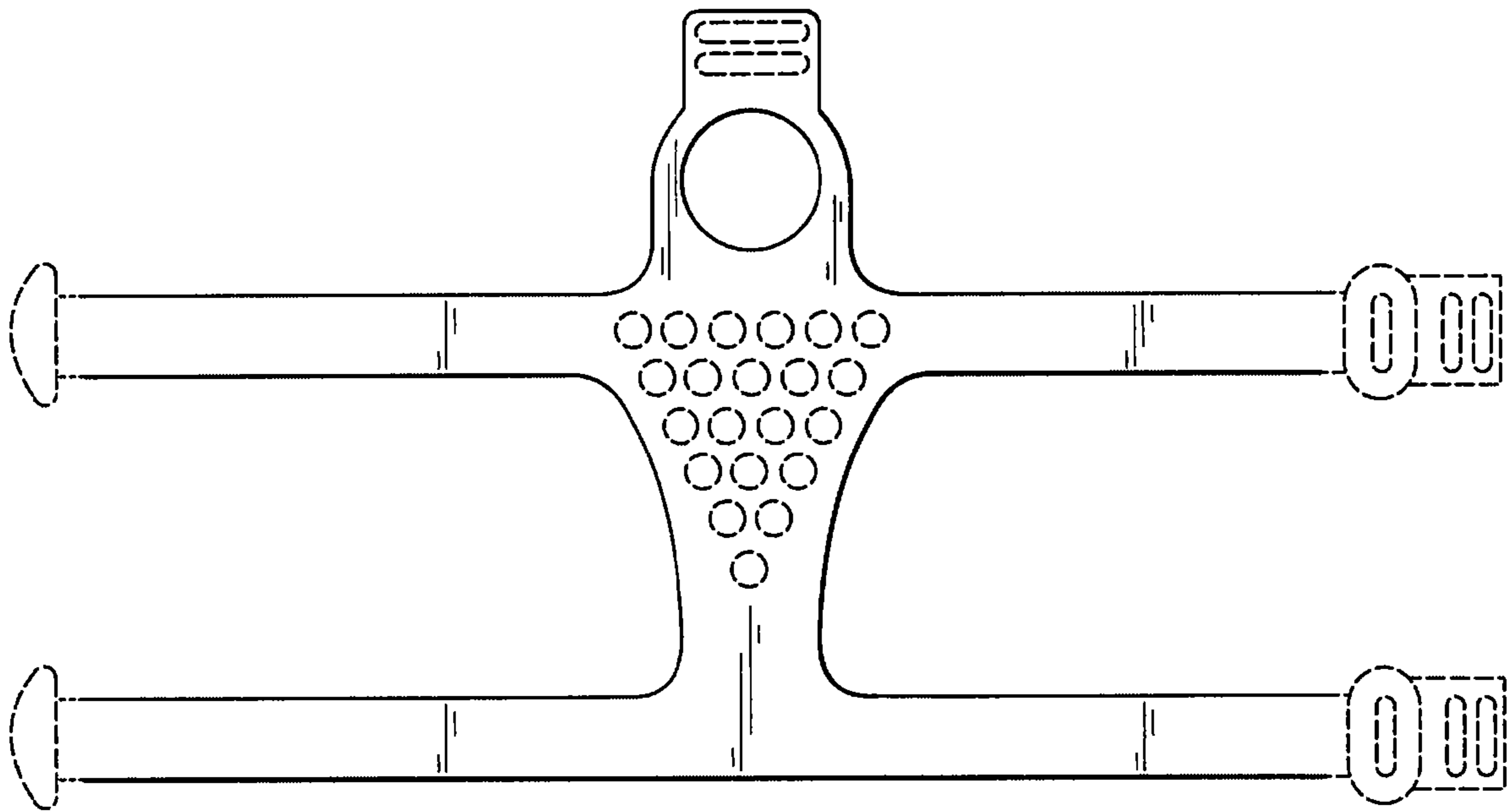
FOREIGN PATENT DOCUMENTS

DE 20104506 U1 3/2001  
DE 10261731 A1 7/2004  
FR 2574967 6/1986  
FR 2824708 A1 11/2002  
GB 2380393 A 4/2003  
GB 2396818 A 7/2004  
JP 2001003208 A 1/2001  
WO WO0222066 3/2002  
WO WO 2003/052033 A3 6/2003  
WO WO06067470 6/2006

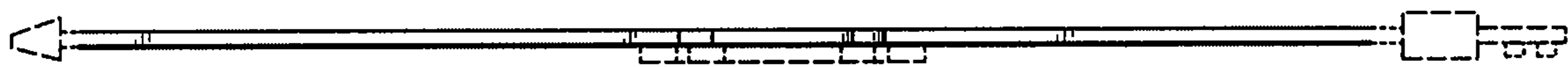
OTHER PUBLICATIONS

PCT Search Report and Written Opinion, PCT/GB2005/005015,  
Dec. 22, 2005—(14 pages).  
United Kingdom Exam Report dated May 18, 2005, GB0428026.  
9—(3 pages).  
United Kingdom Exam Report dated Apr. 14, 2009, GB0712331.  
8—(6 pages).  
United Kingdom Exam Report dated Jun. 9, 2009, GB0712331.  
8—(3 pages).  
United Kingdom Exam Report dated Oct. 21, 2009, GB0712331.  
8—(3 pages).  
United Kingdom Exam Report dated Dec. 9, 2009, GB0712331.  
8—(3 pages).  
United Kingdom Exam Report dated Dec. 16, 2009, GB0712331.  
8—(4 pages).  
Kiddimoto Gloves ([http://www.kiddimoto.co.uk/itemdetl.php/  
itemprcd/Yellow%20Glove](http://www.kiddimoto.co.uk/itemdetl.php/itemprcd/Yellow%20Glove))—(2 pages).  
Louis Garneau Cycling Gloves (“First Treks.com”)—(4 pages).

\* cited by examiner



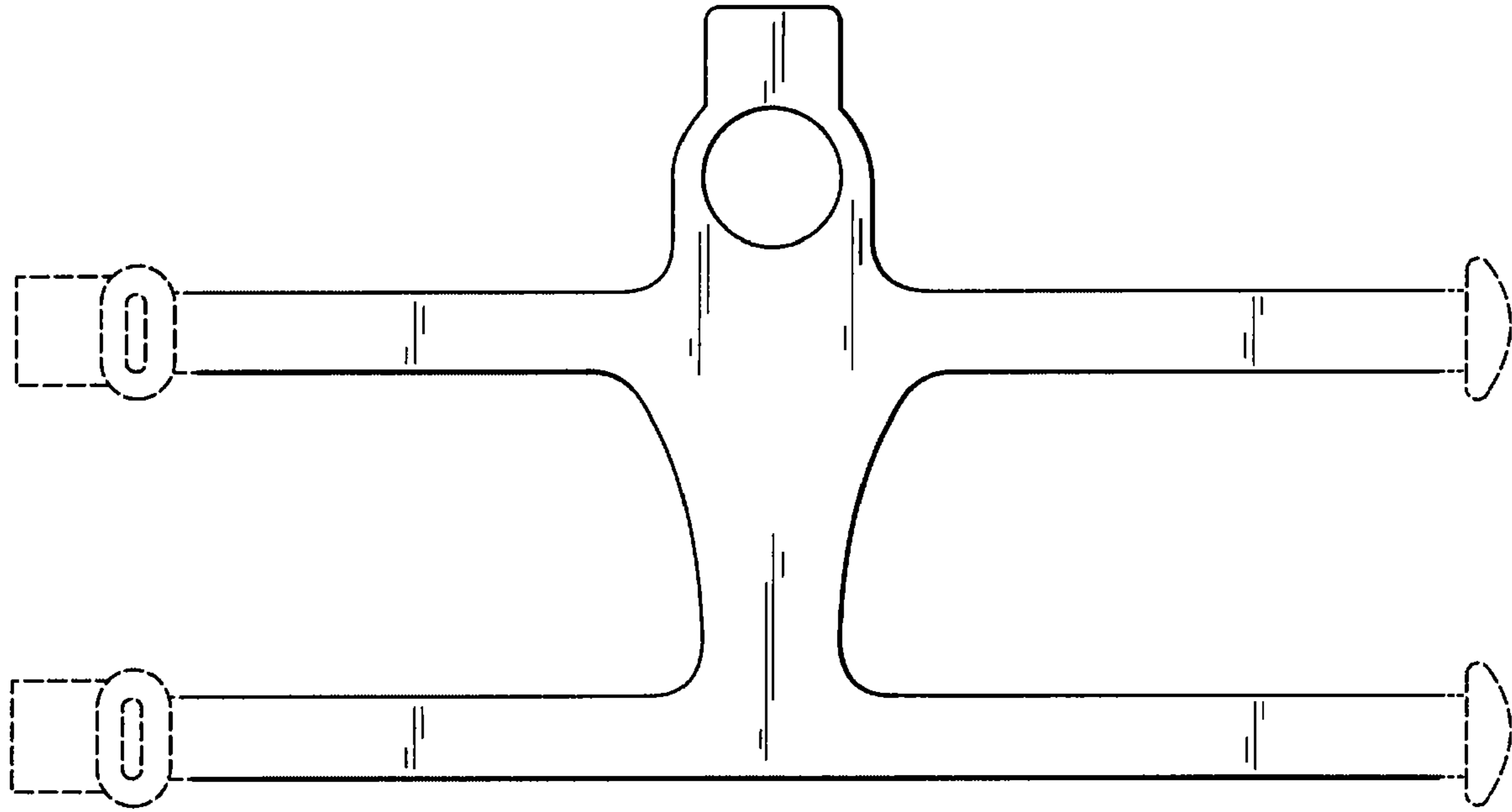
*Fig. 1*



*Fig. 2*



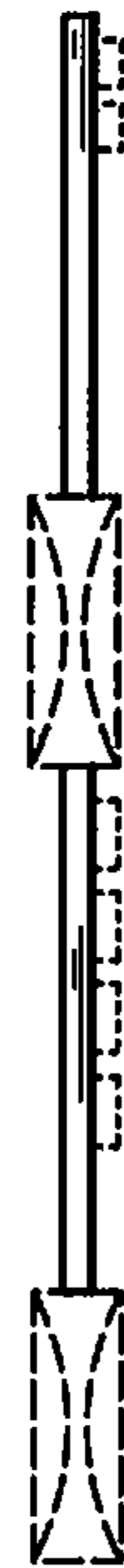
*Fig. 3*



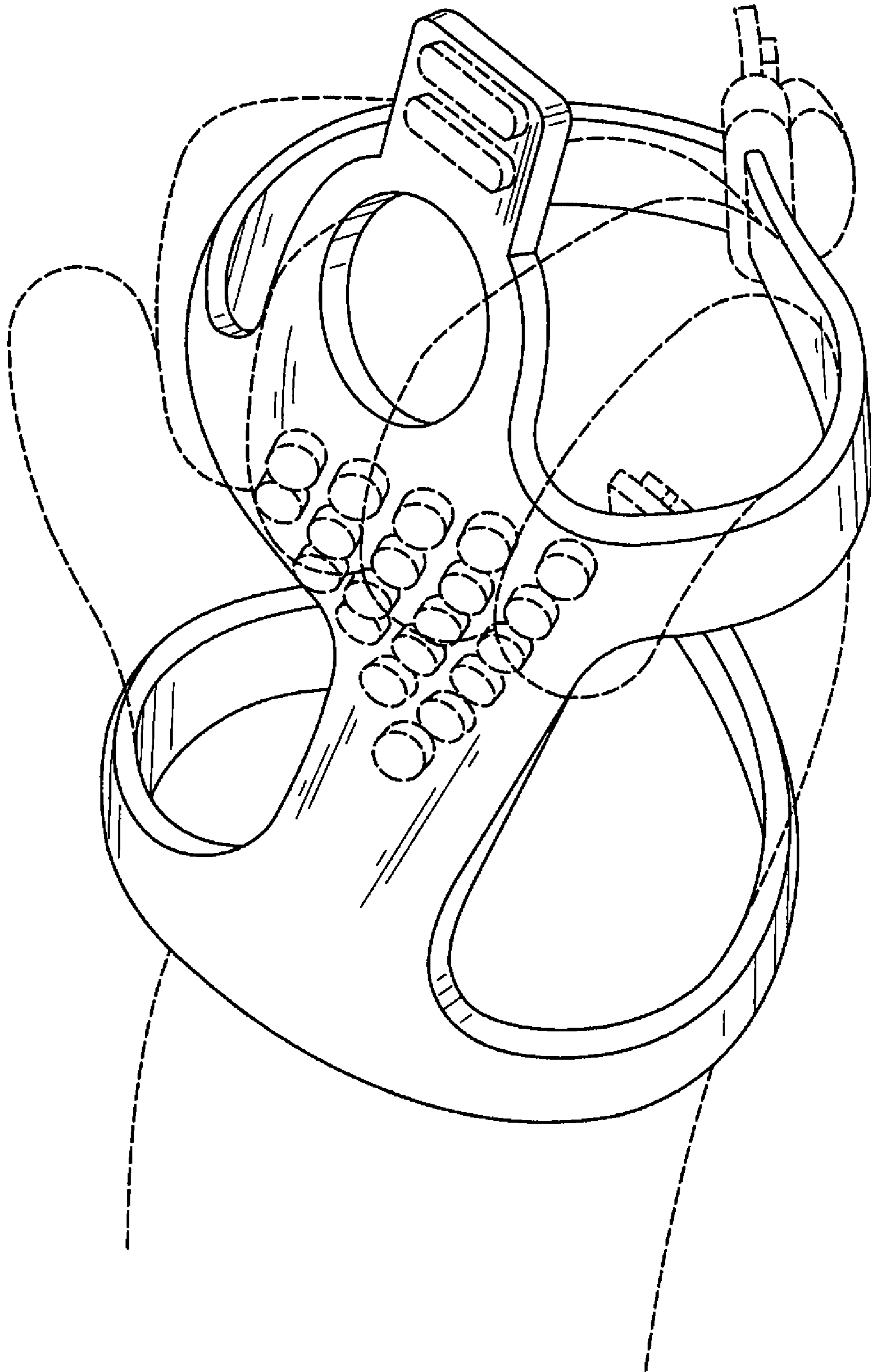
*Fig. 4*



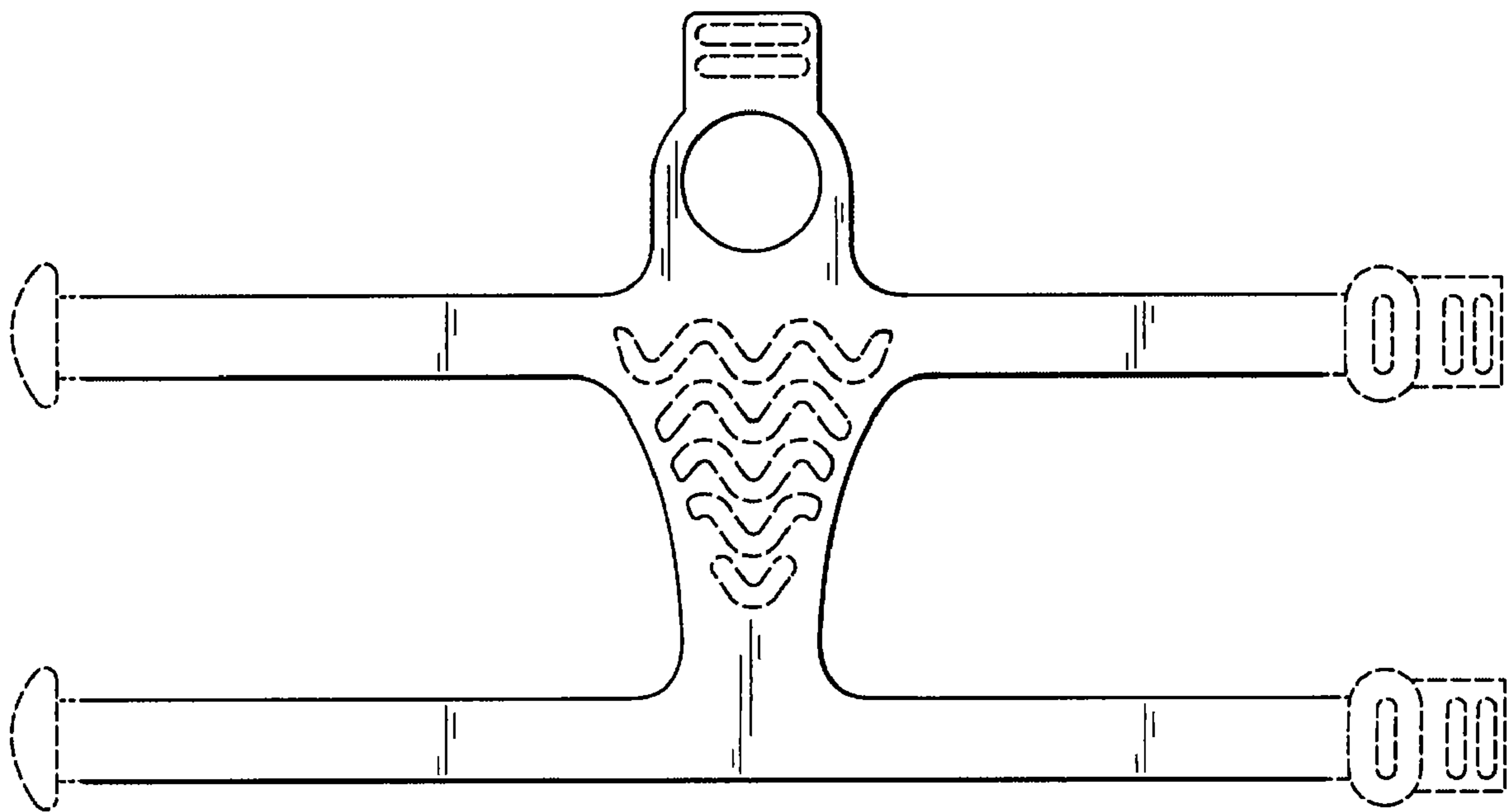
*Fig. 5*



*Fig. 6*



***Fig. 7***



*Fig. 8*