



US00D621513S

(12) **United States Design Patent**  
**Cinqualbre**

(10) **Patent No.:** **US D621,513 S**

(45) **Date of Patent:** **\*\* Aug. 10, 2010**

(54) **HOSPITAL CART**

(75) Inventor: **Jacques Cinqualbre**, Rosheim (FR)

(73) Assignee: **Hopi**, Rosheim (FR)

(\*\*) Term: **14 Years**

(21) Appl. No.: **29/319,121**

(22) Filed: **Jun. 4, 2008**

(30) **Foreign Application Priority Data**

Dec. 4, 2007 (FR) ..... 07 5518

(51) **LOC (9) Cl.** ..... **24-01**

(52) **U.S. Cl.** ..... **D24/185**

(58) **Field of Classification Search** ..... D24/158,  
D24/160, 167, 170, 183-186, 231; 280/47.35,  
280/79.3, 79.11, 187.01; D13/163; D14/304;  
D34/14, 17, 18, 19, 23; 108/50.01; 312/209  
See application file for complete search history.

(56) **References Cited**

**U.S. PATENT DOCUMENTS**

D338,272 S \* 8/1993 Cunagin et al. .... D24/167  
D364,382 S \* 11/1995 Yamamoto ..... D13/163  
D399,493 S \* 10/1998 Nakajima et al. .... D13/163

D486,915 S \* 2/2004 Warschewske et al. .... D24/185  
D515,080 S \* 2/2006 Esplo ..... D14/307  
D518,480 S \* 4/2006 Zheng et al. .... D14/307  
D550,362 S \* 9/2007 Olivera et al. .... D24/185  
D561,342 S \* 2/2008 Zimmer ..... D24/185

\* cited by examiner

*Primary Examiner*—Janice E Seeger

*Assistant Examiner*—Mary Ann Calabrese

(74) *Attorney, Agent, or Firm*—Davis & Bujold, P.L.L.C.

(57) **CLAIM**

I claim the ornamental design for a hospital cart, as shown and described.

**DESCRIPTION**

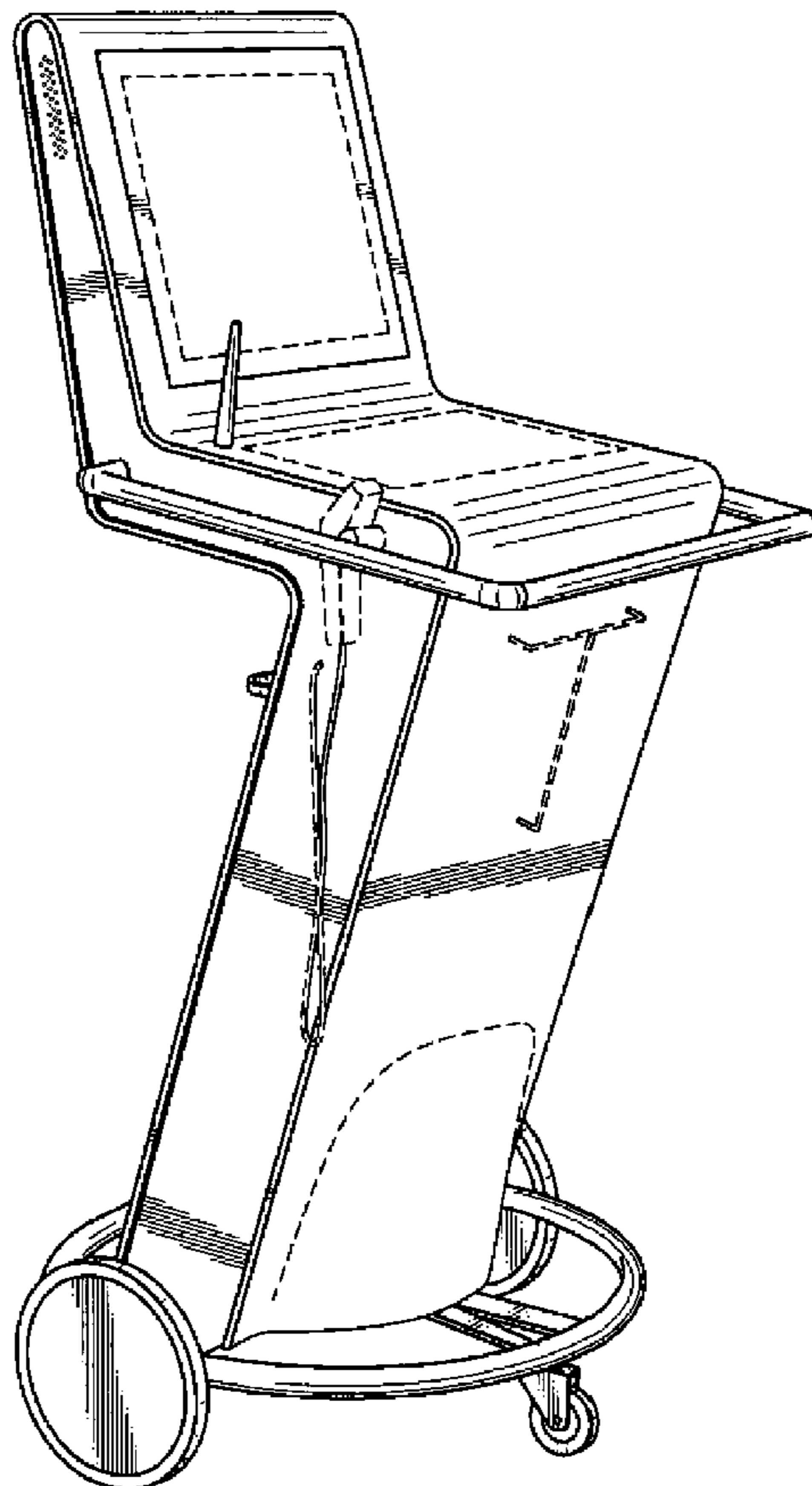
FIG. 1 is a left, front, top perspective view of a hospital cart embodying my new design; and,

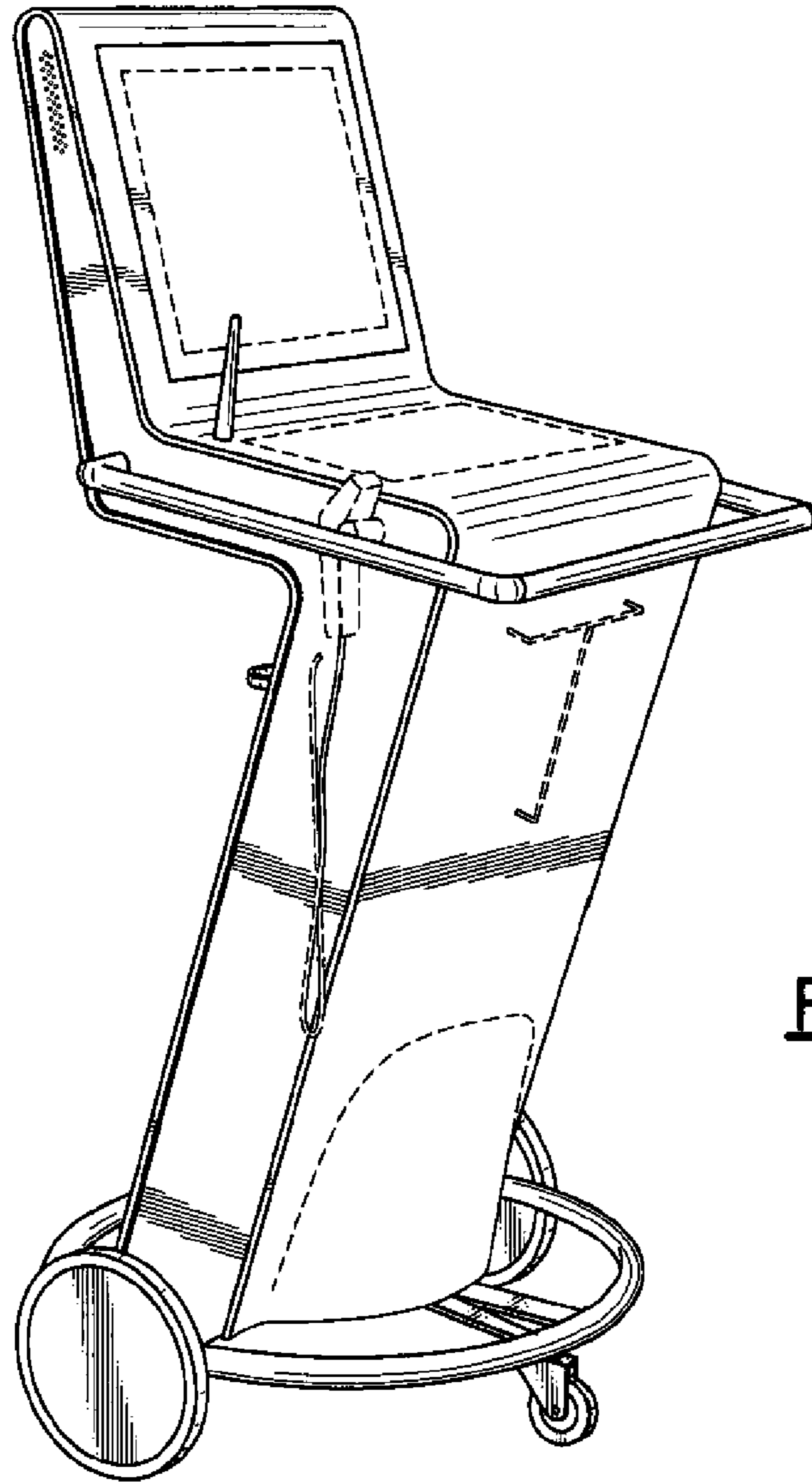
FIG. 2 is a left, rear top perspective view thereof.

The opposite right side view is substantially similar to the left side view of FIGS. 1 and 2, but does not include the cord or the component hanging from the hand rail.

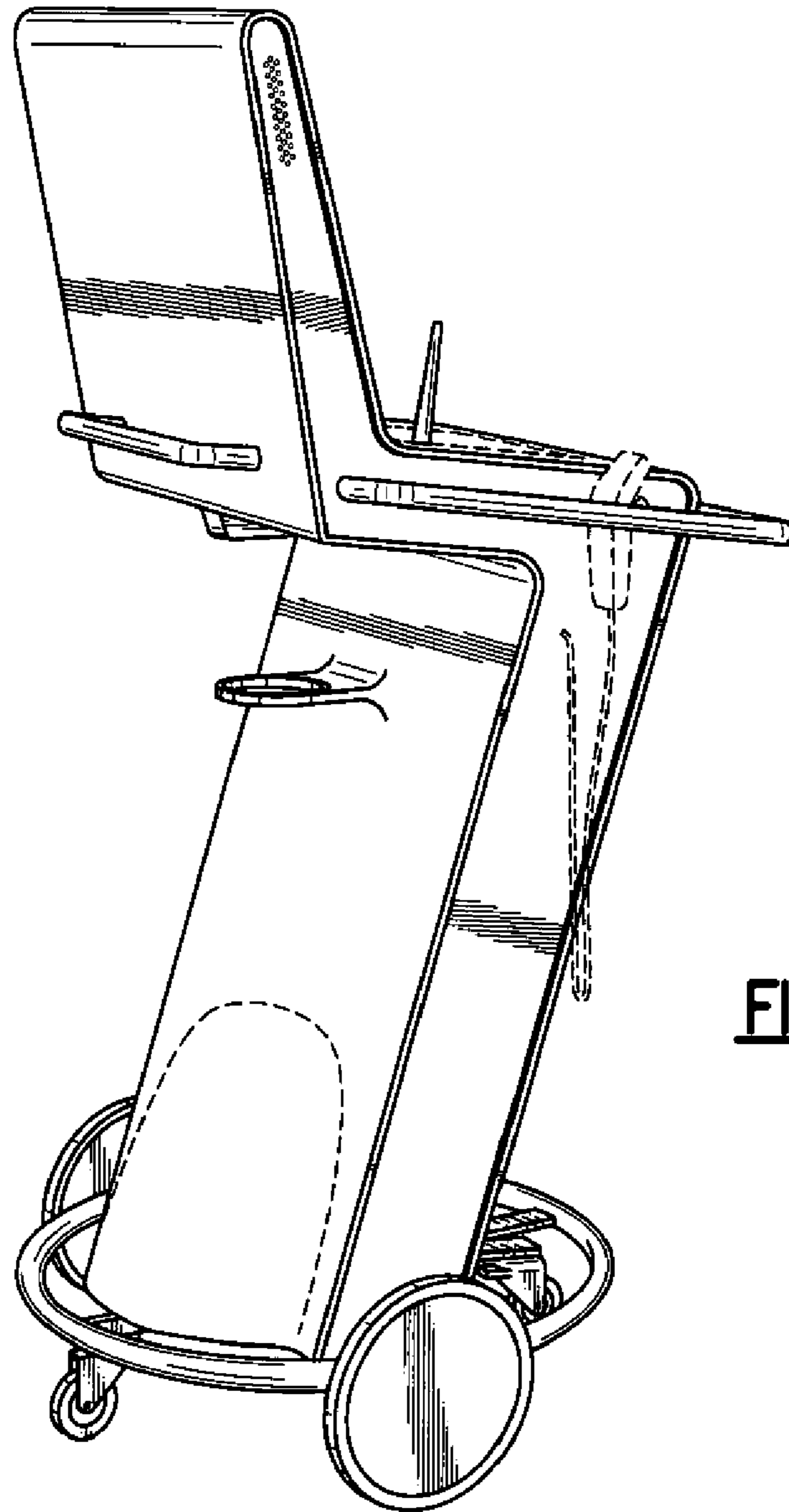
In the drawings, the broken lines represent portions of the hospital cart that form no part of the claimed design.

**1 Claim, 2 Drawing Sheets**





**FIG. 1**



**FIG. 2**