



US00D621512S

(12) **United States Design Patent**  
**Bukoski**

(10) **Patent No.:** **US D621,512 S**  
(45) **Date of Patent:** **\*\* Aug. 10, 2010**

(54) **DENTAL DELIVERY UNIT SHROUD**

(75) Inventor: **Timothy Daniel Bukoski**, Sherwood,  
OR (US)

(73) Assignee: **Dental Components LLC**, Newberg,  
OR (US)

(\*\*) Term: **14 Years**

(21) Appl. No.: **29/342,795**

(22) Filed: **Sep. 1, 2009**

**Related U.S. Application Data**

(62) Division of application No. 29/317,642, filed on May  
2, 2008, now Pat. No. Des. 607,567.

(51) **LOC (9) Cl.** ..... **24-04**

(52) **U.S. Cl.** ..... **D24/177; D24/184**

(58) **Field of Classification Search** ..... D24/17-18,  
D24/66; 433/77, 82, 89, 92, 97, 25, 79;  
4/263; 251/289; D14/242, 125

See application file for complete search history.

(56) **References Cited**

**U.S. PATENT DOCUMENTS**

- D204,983 S 6/1966 Stram et al.
- D217,249 S 4/1970 Krantz
- D218,165 S 7/1970 Schleicher et al.
- D243,188 S 1/1977 Meyer
- D246,320 S 11/1977 Truette
- 4,445,859 A \* 5/1984 Hoffmeister et al. .... 433/79
- D288,122 S 2/1987 McGaha et al.
- 5,127,830 A 7/1992 Sheridan et al.
- D328,791 S 8/1992 Nordstrom et al.
- 5,244,385 A 9/1993 Yozwiak
- 5,322,439 A 6/1994 Young
- D349,162 S 7/1994 Nordstrom et al.
- 5,334,018 A 8/1994 Young
- 5,348,472 A 9/1994 Joeckel et al.
- D351,231 S 10/1994 Austin, Jr. et al.
- D354,136 S 1/1995 Phelps et al.
- D361,620 S 8/1995 Phelps et al.
- D378,416 S 3/1997 LaPlante et al.

- D380,549 S 7/1997 Pate
- D381,338 S 7/1997 Johansson
- D394,706 S 5/1998 Pate
- D410,469 S \* 6/1999 Sathikh ..... D14/242
- D413,893 S 9/1999 Luzbetak et al.
- D434,500 S 11/2000 Pollock et al.
- D437,314 S \* 2/2001 DeLeon ..... D14/242
- D458,379 S 6/2002 Brockway et al.
- D464,958 S 10/2002 Coker et al.
- D473,311 S 4/2003 Sugino
- D487,080 S \* 2/2004 Chen ..... D14/242
- D498,847 S 11/2004 Castellini
- 7,154,746 B1 12/2006 Hanson et al.
- D555,245 S 11/2007 Castellini
- D555,246 S 11/2007 Castellini
- D555,247 S 11/2007 Castellini
- D563,905 S 3/2008 Pollard

(Continued)

*Primary Examiner*—Charles A Rademaker  
(74) *Attorney, Agent, or Firm*—Alston & Bird LLP

(57) **CLAIM**

The ornamental design for a dental delivery unit shroud, as shown and described.

**DESCRIPTION**

FIG. 1 is a perspective view of a dental delivery unit shroud according to my new design;

FIG. 2 is a front elevation view thereof;

FIG. 3 is a rear elevation view thereof;

FIG. 4 is a top plan view thereof;

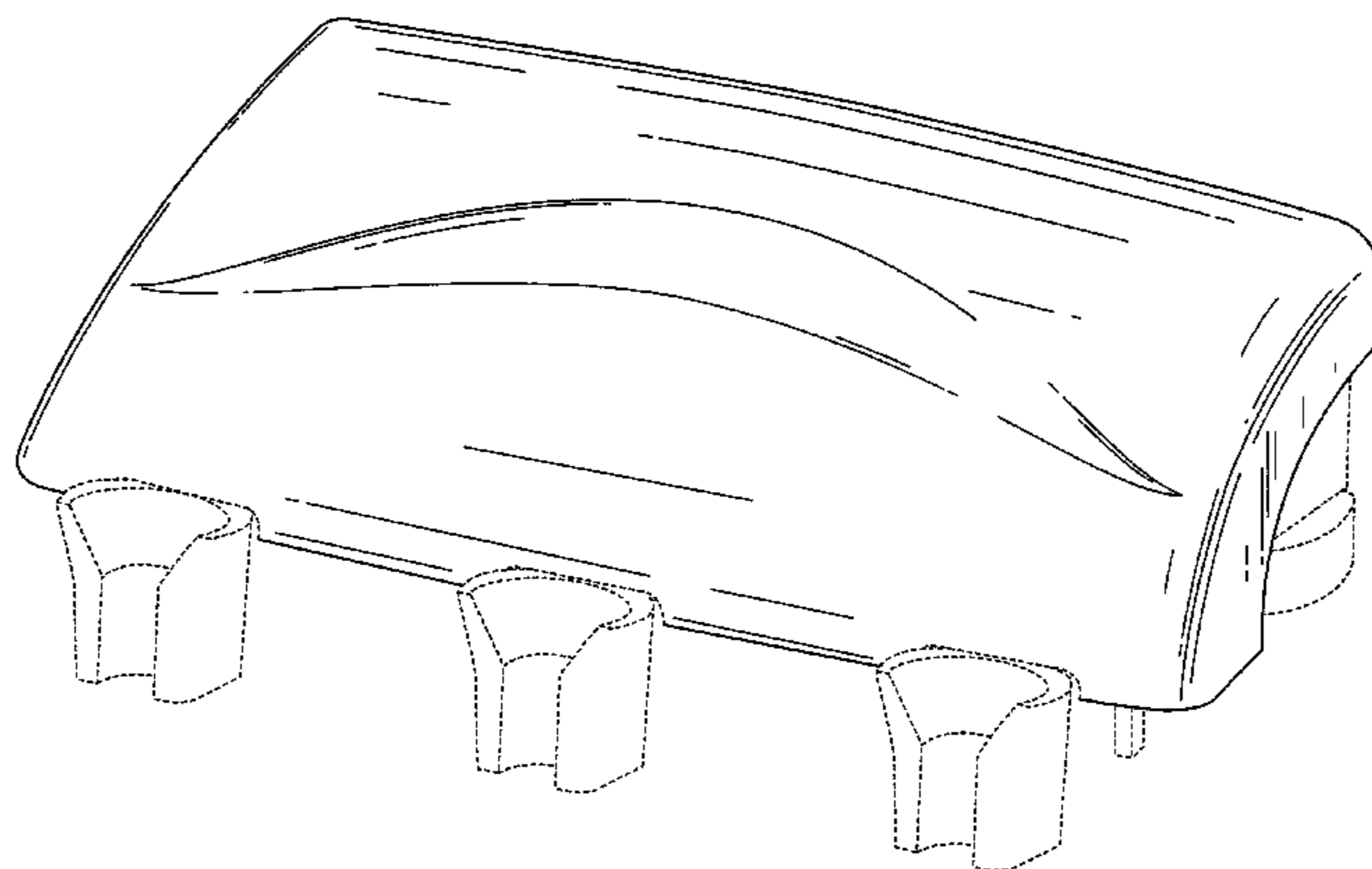
FIG. 5 is a bottom plan view thereof;

FIG. 6 is a left side elevation view thereof; and,

FIG. 7 is a right side elevation view thereof.

The broken lines shown in the figure drawings are for purposes of illustration and form no part of the claimed design.

**1 Claim, 7 Drawing Sheets**



# US D621,512 S

Page 2

---

## U.S. PATENT DOCUMENTS

D566,668 S \* 4/2008 Whittaker et al. .... D14/125  
D589,045 S 3/2009 Lee et al.

D605,296 S \* 12/2009 Hosey et al. .... D24/177

\* cited by examiner

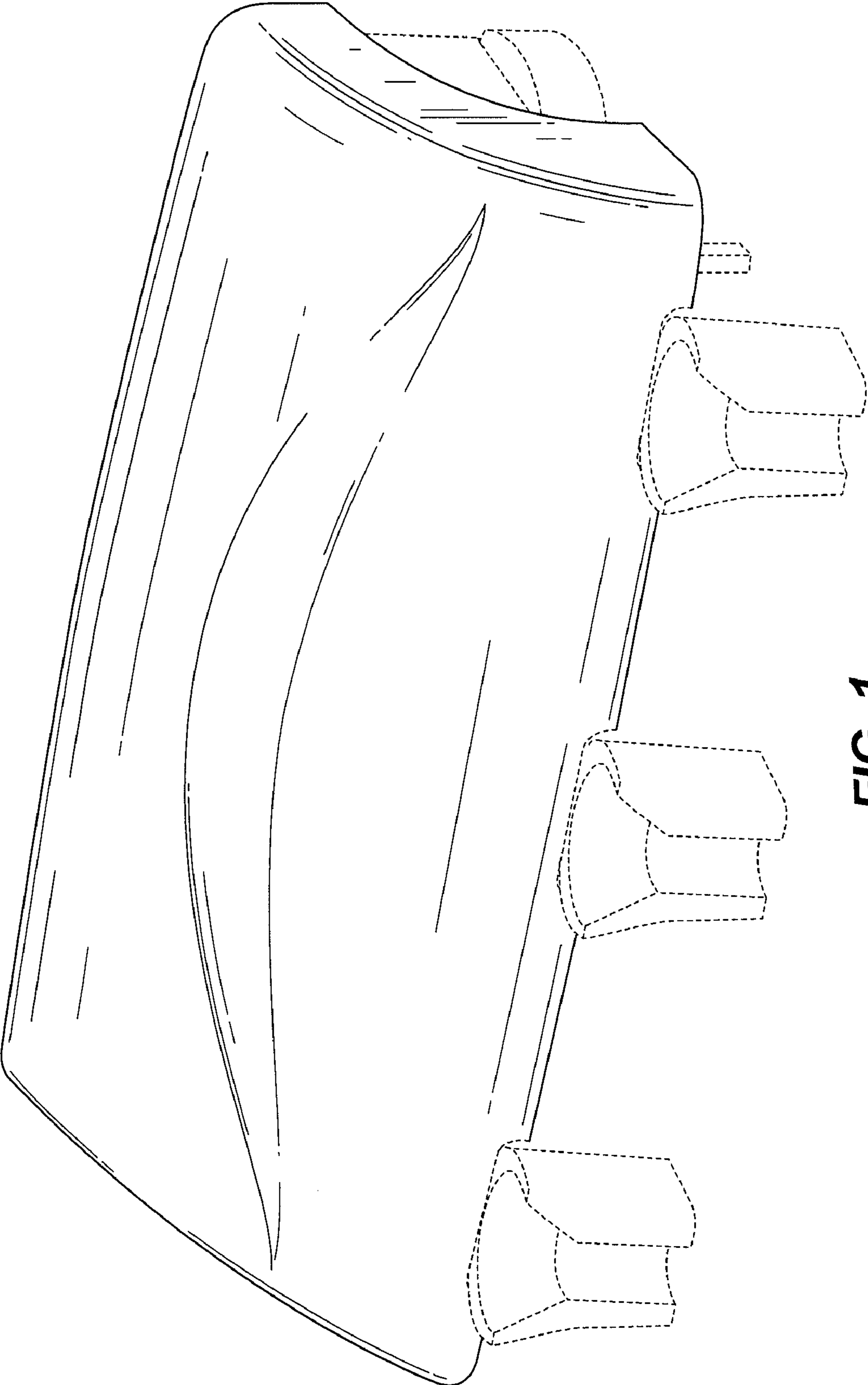
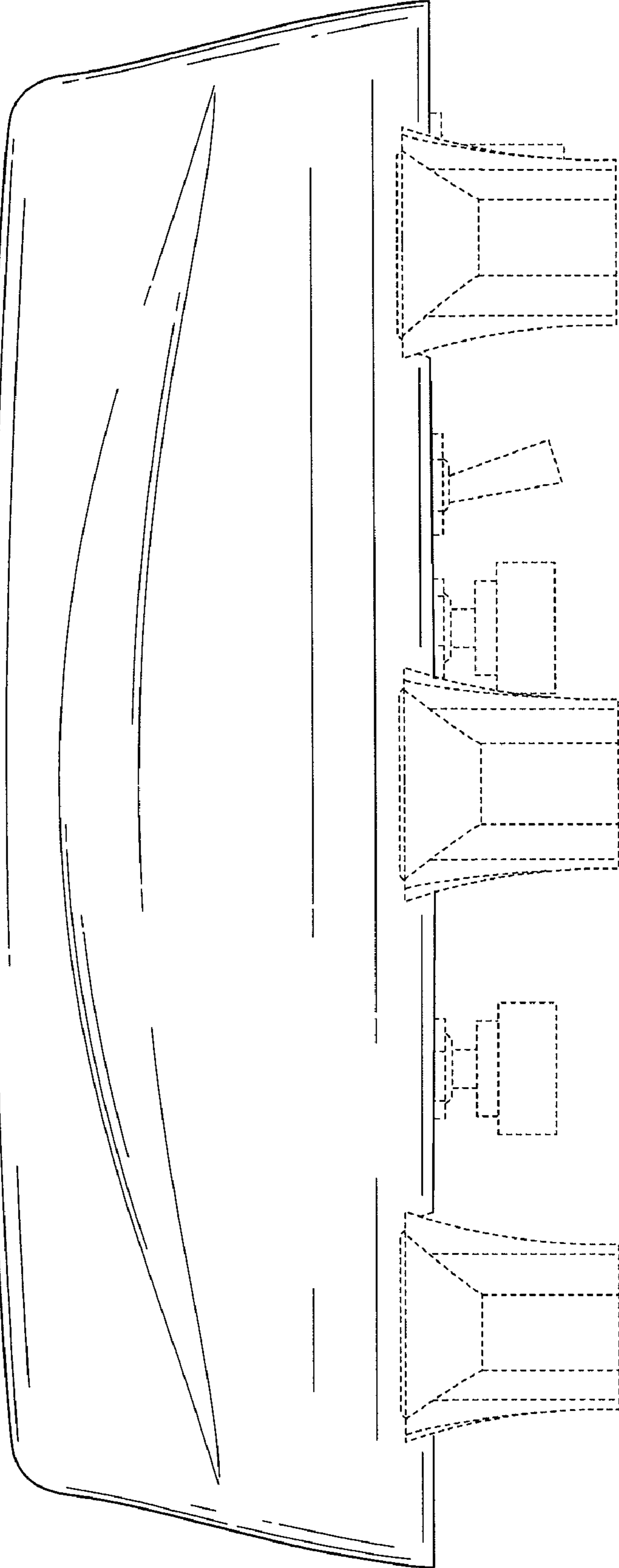


FIG. 1



**FIG. 2**

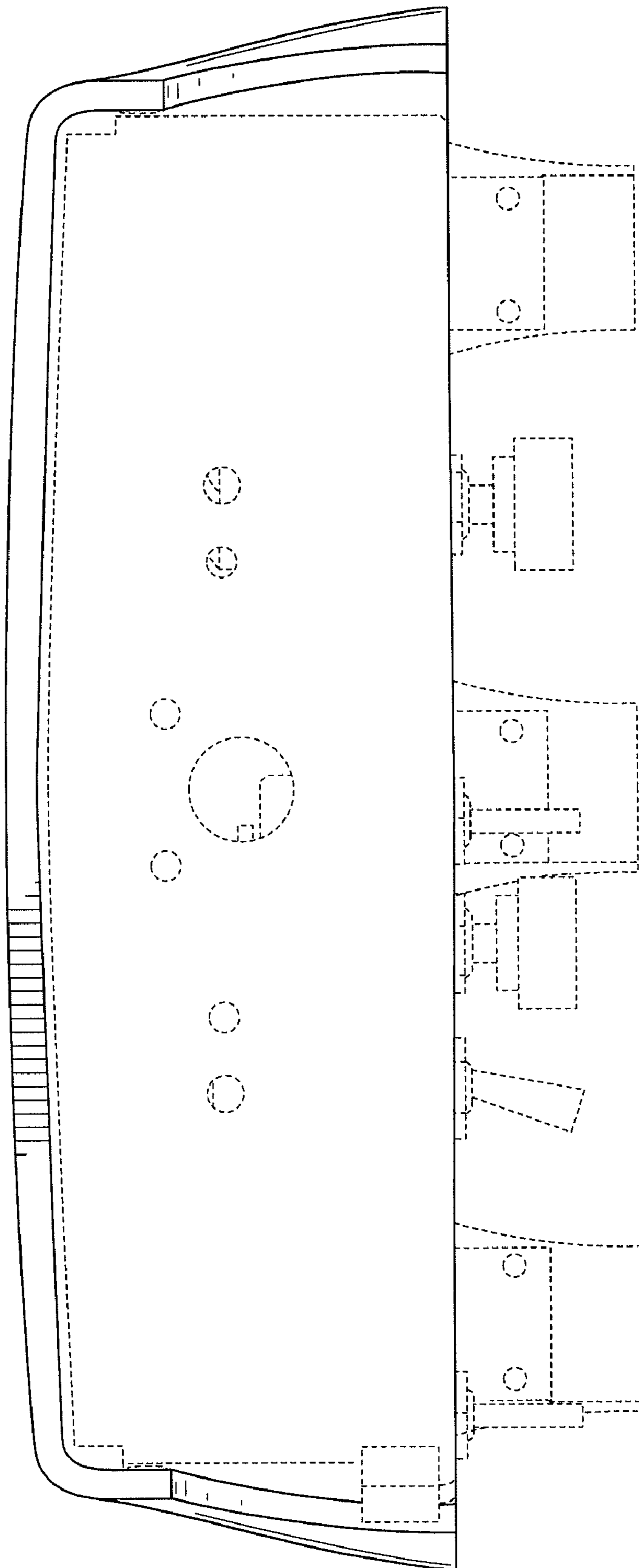


FIG. 3

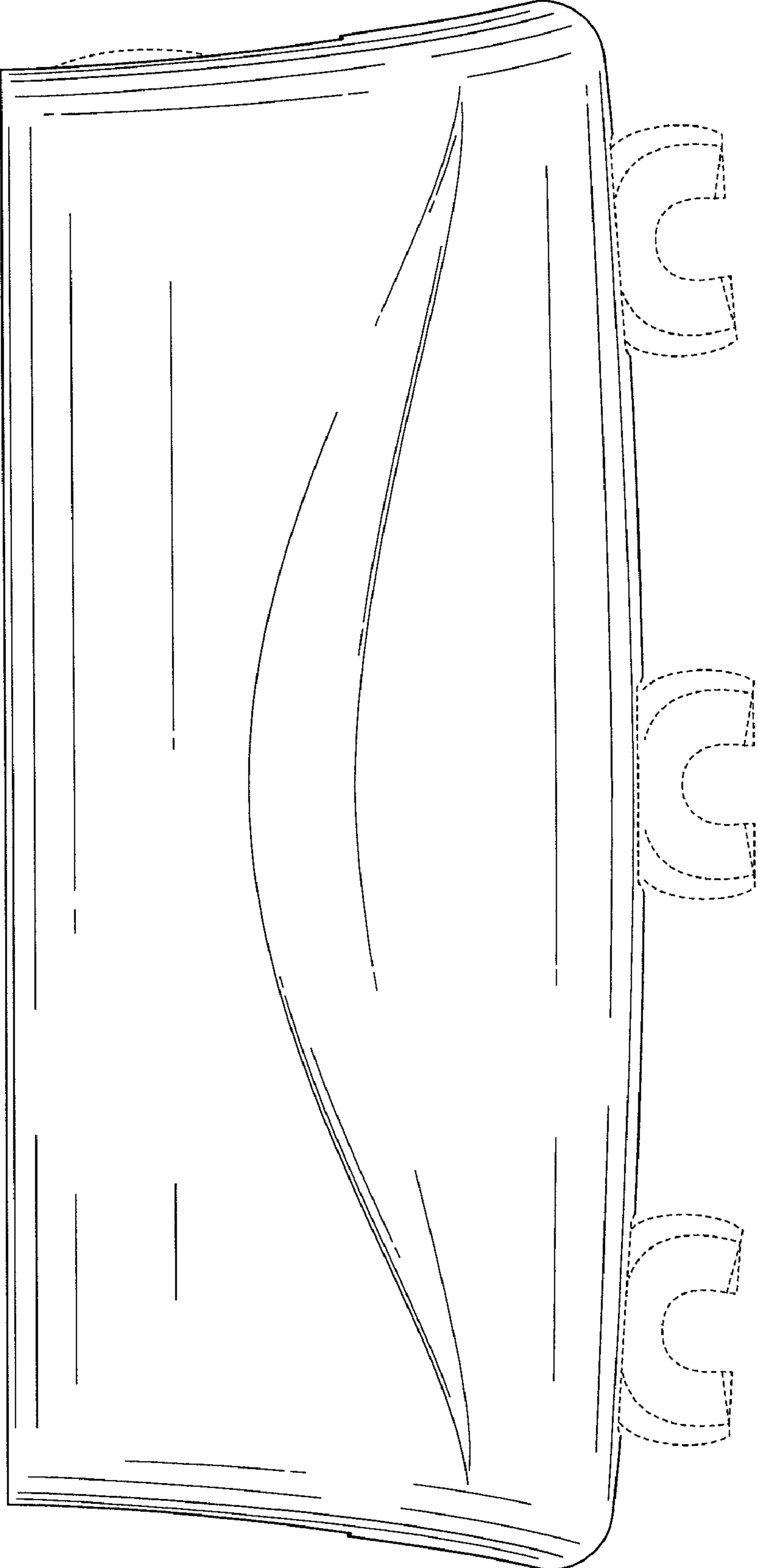


FIG. 4

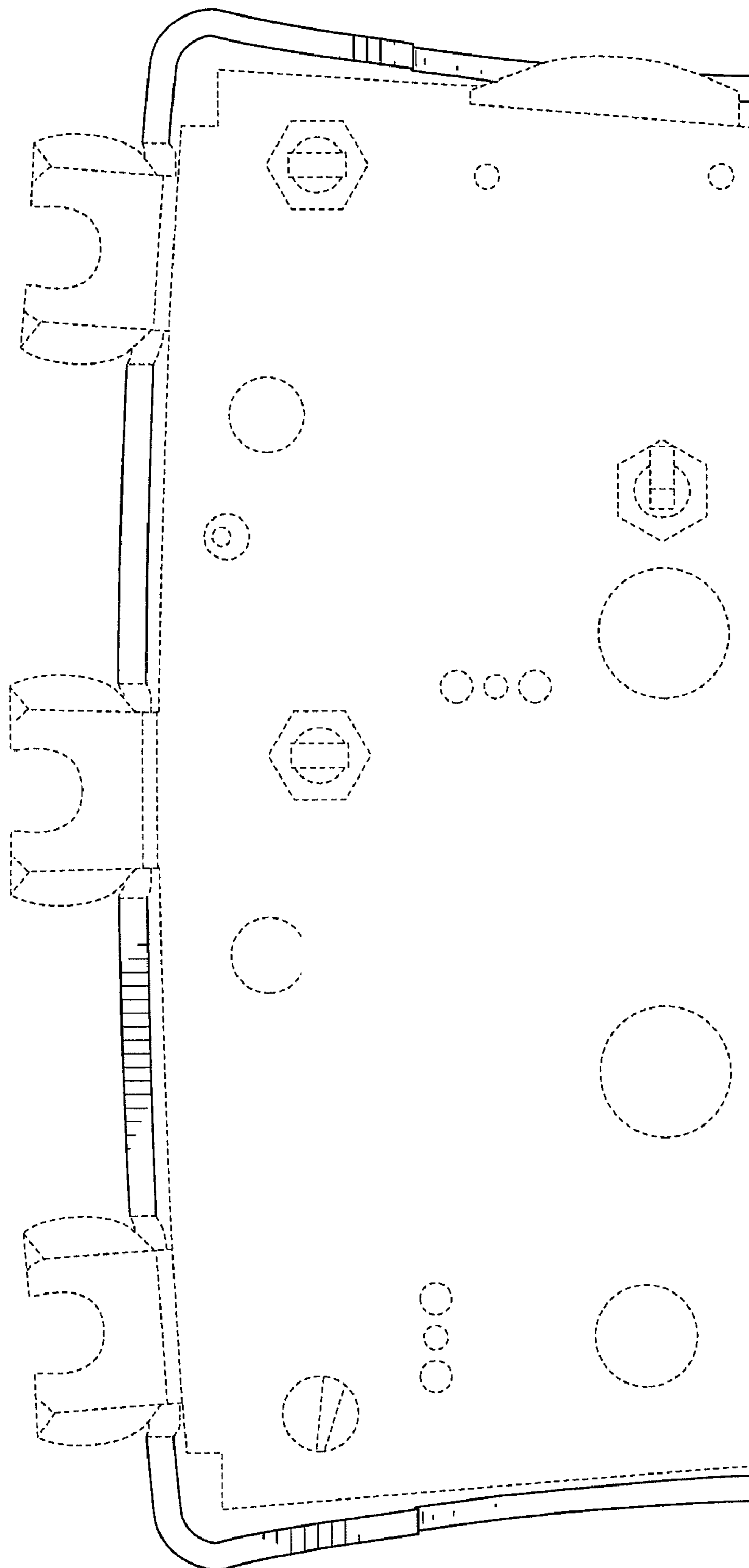
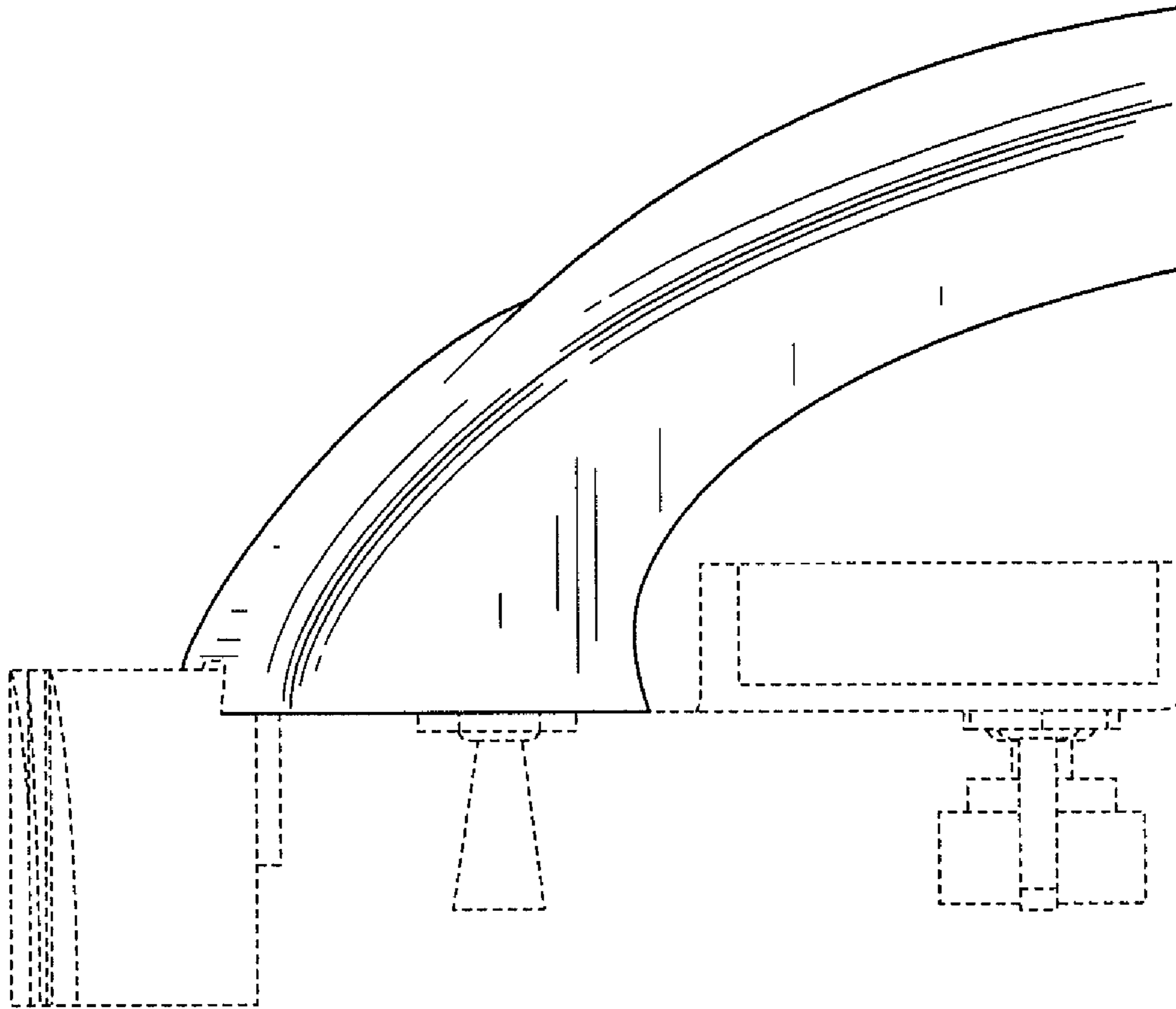
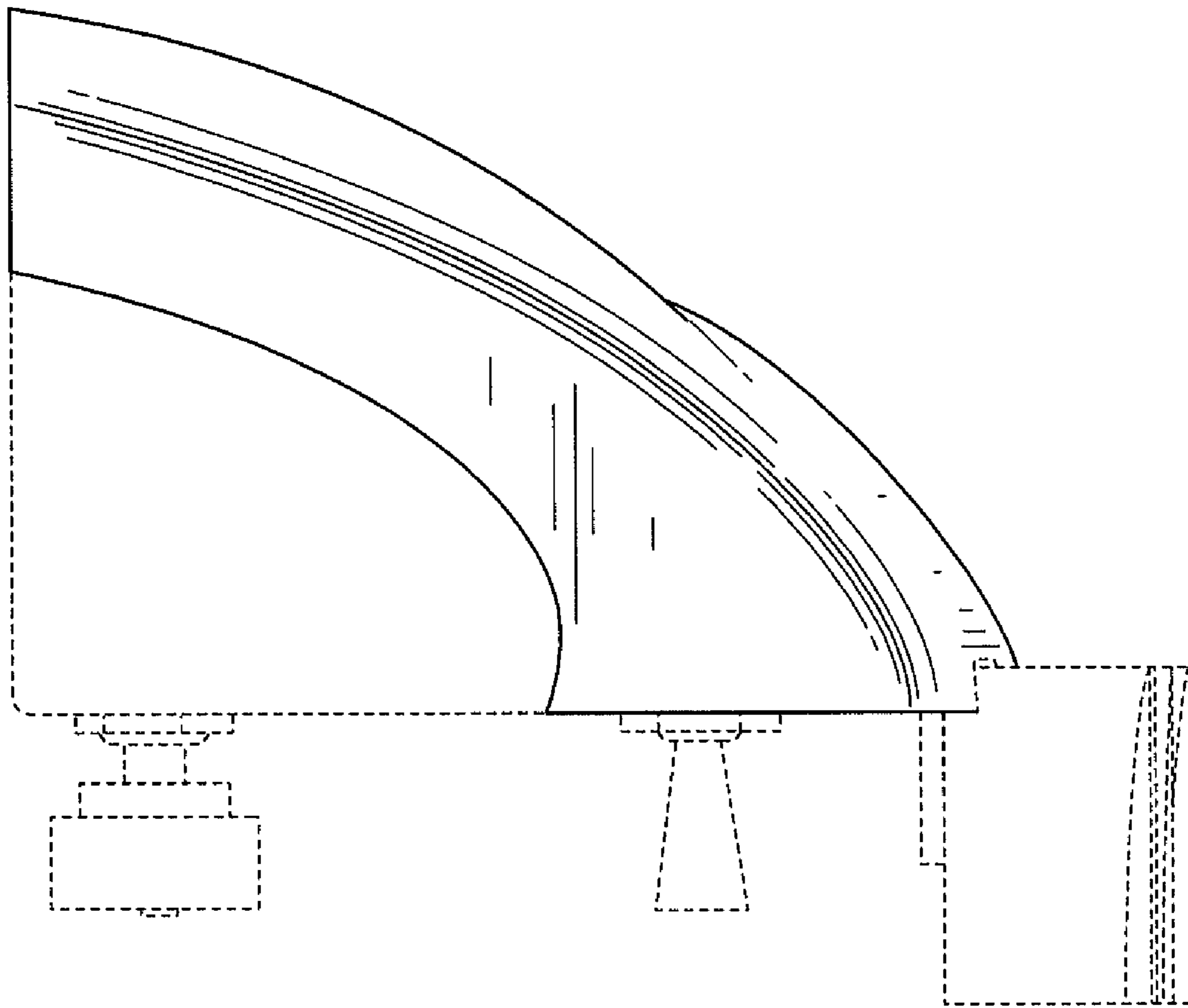


FIG. 5



**FIG. 6**





**FIG. 7**