



US00D621511S

(12) **United States Design Patent**  
**Lathrop et al.**

(10) **Patent No.:** **US D621,511 S**  
(45) **Date of Patent:** **\*\* Aug. 10, 2010**

(54) **MEDICAL MONITOR WITH A DEFIBRILLATOR**

(75) Inventors: **Braxton L. Lathrop**, Lake Oswego, OR (US); **Michael D. McAtamney**, Navan (IE); **Brian J. Skelton**, Lake Zurich, IL (US); **William J. Smirles**, Deerfield, IL (US); **James J. Shortt**, Trim (IE); **Stephen A. Montgomery**, Dublin (IE); **Ah Leen Neo**, Singapore (SG); **Darrin S. Manke**, North Andover, MA (US); **Erin-Anne A. Lemieux**, Milford, NH (US)

(73) Assignee: **Zoll Medical Corporation**, Chelmsford, MA (US)

(\*\*) Term: **14 Years**

(21) Appl. No.: **29/323,125**

(22) Filed: **Aug. 19, 2008**

(51) **LOC (9) Cl.** ..... **24-01**

(52) **U.S. Cl.** ..... **D24/167**

(58) **Field of Classification Search** ..... D24/164–169, D24/186; D10/98; 600/301, 481, 483–485, 600/490, 493–495, 499, 500, 501; 128/900; 607/4–7, 10

See application file for complete search history.

(56) **References Cited**

U.S. PATENT DOCUMENTS

D373,193	S	*	8/1996	Luther	.....	D24/167
5,562,710	A	*	10/1996	Olsen et al.	.....	607/5
D392,043	S		3/1998	Cooper et al.		
D393,072	S	*	3/1998	Rogler	.....	D24/186
D402,758	S	*	12/1998	Barkley et al.	.....	D24/167
5,935,152	A	*	8/1999	Merry et al.	.....	607/5

D414,266	S	*	9/1999	Pastrick et al.	.....	D24/168
D415,279	S	*	10/1999	Daynes et al.	.....	D24/167
D447,241	S	*	8/2001	Deck	.....	D24/167
D455,492	S	*	4/2002	Daynes et al.	.....	D24/167
D460,559	S		7/2002	Knieriem et al.		
D471,279	S	*	3/2003	Locke et al.	.....	D24/167
D475,137	S	*	5/2003	Manke et al.	.....	D24/165
D512,151	S		11/2005	Ward et al.		
D535,031	S		1/2007	Barrett et al.		
D536,794	S		2/2007	Knieriem et al.		
D536,795	S		2/2007	Knieriem et al.		
D549,831	S		8/2007	Ward et al.		

\* cited by examiner

*Primary Examiner*—T. Chase Nelson

*Assistant Examiner*—Anhdao Doan

(74) *Attorney, Agent, or Firm*—Hiscock & Barclay, LLP

(57) **CLAIM**

The ornamental design for a medical monitor with a defibrillator, as shown and described.

**DESCRIPTION**

FIG. 1 is a front perspective view of a medical monitor with a defibrillator illustrating our new design;

FIG. 2 is a front view thereof;

FIG. 3 is a left side view thereof;

FIG. 4 is a right side view thereof;

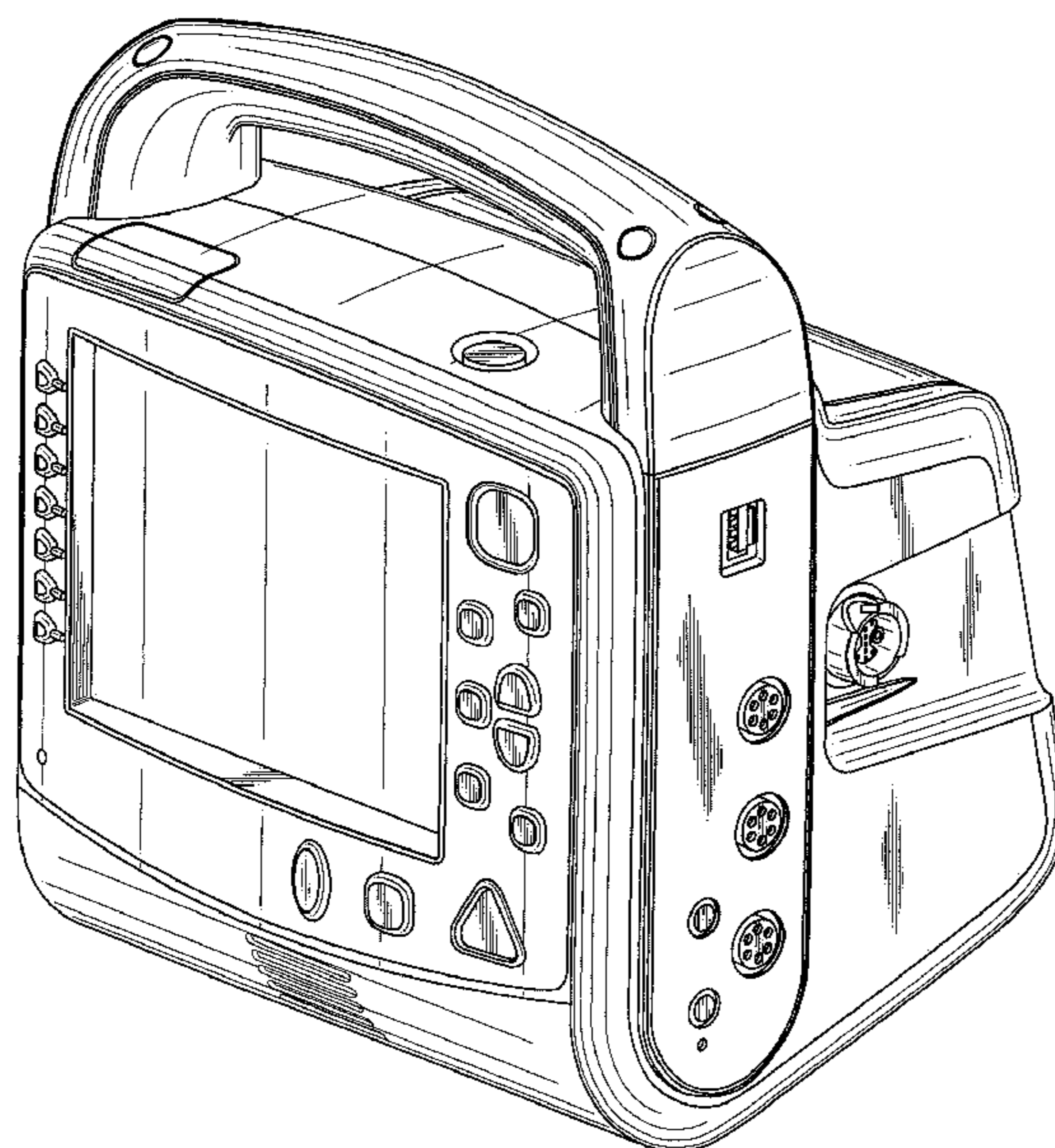
FIG. 5 is a rear view thereof;

FIG. 6 is a top plan view thereof; and,

FIG. 7 is a bottom plan view thereof.

The broken lines in the drawing views are included for the purpose of illustrating portions of the medical monitor with a defibrillator that form no part of the claimed design.

**1 Claim, 6 Drawing Sheets**



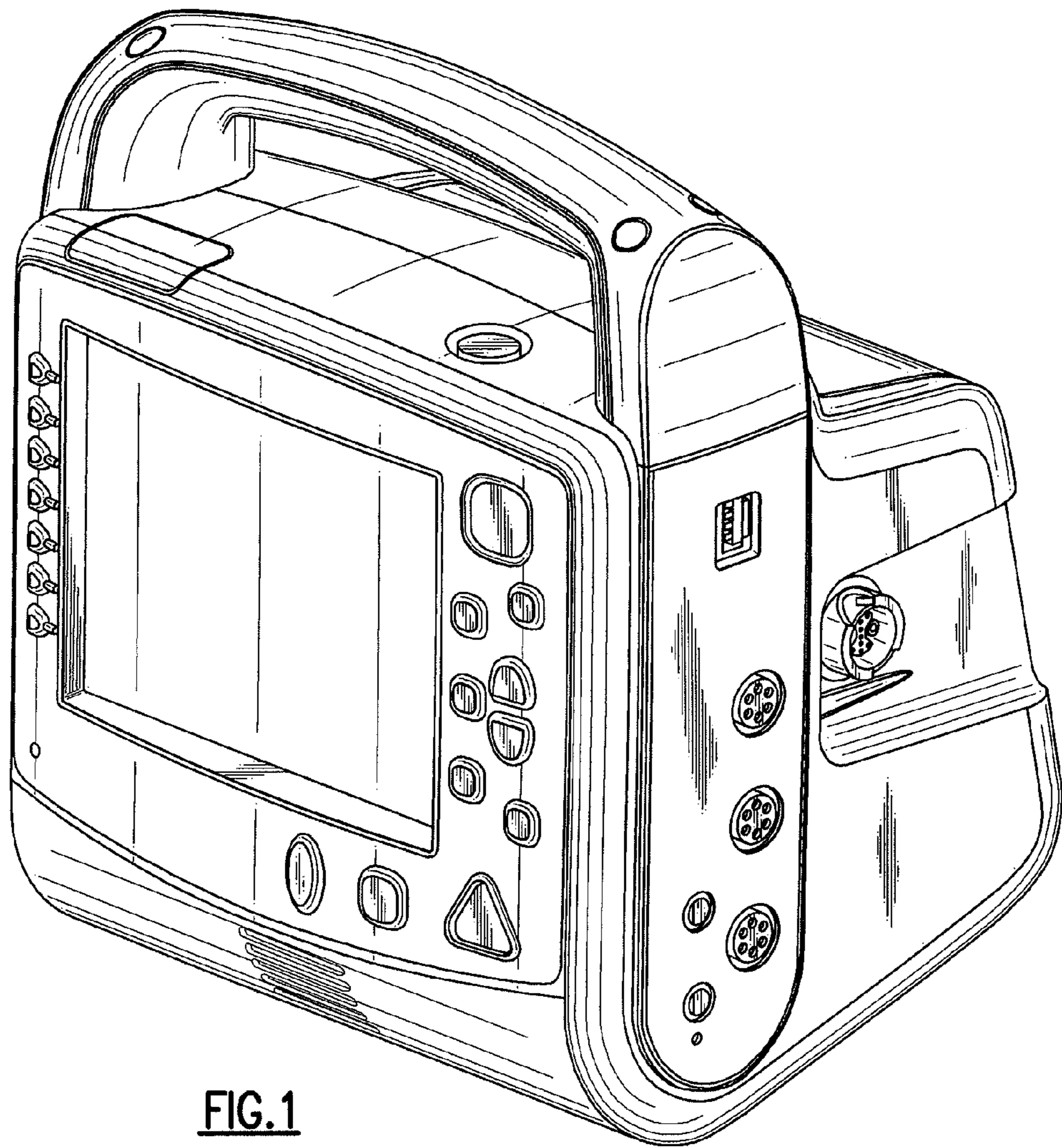


FIG. 1

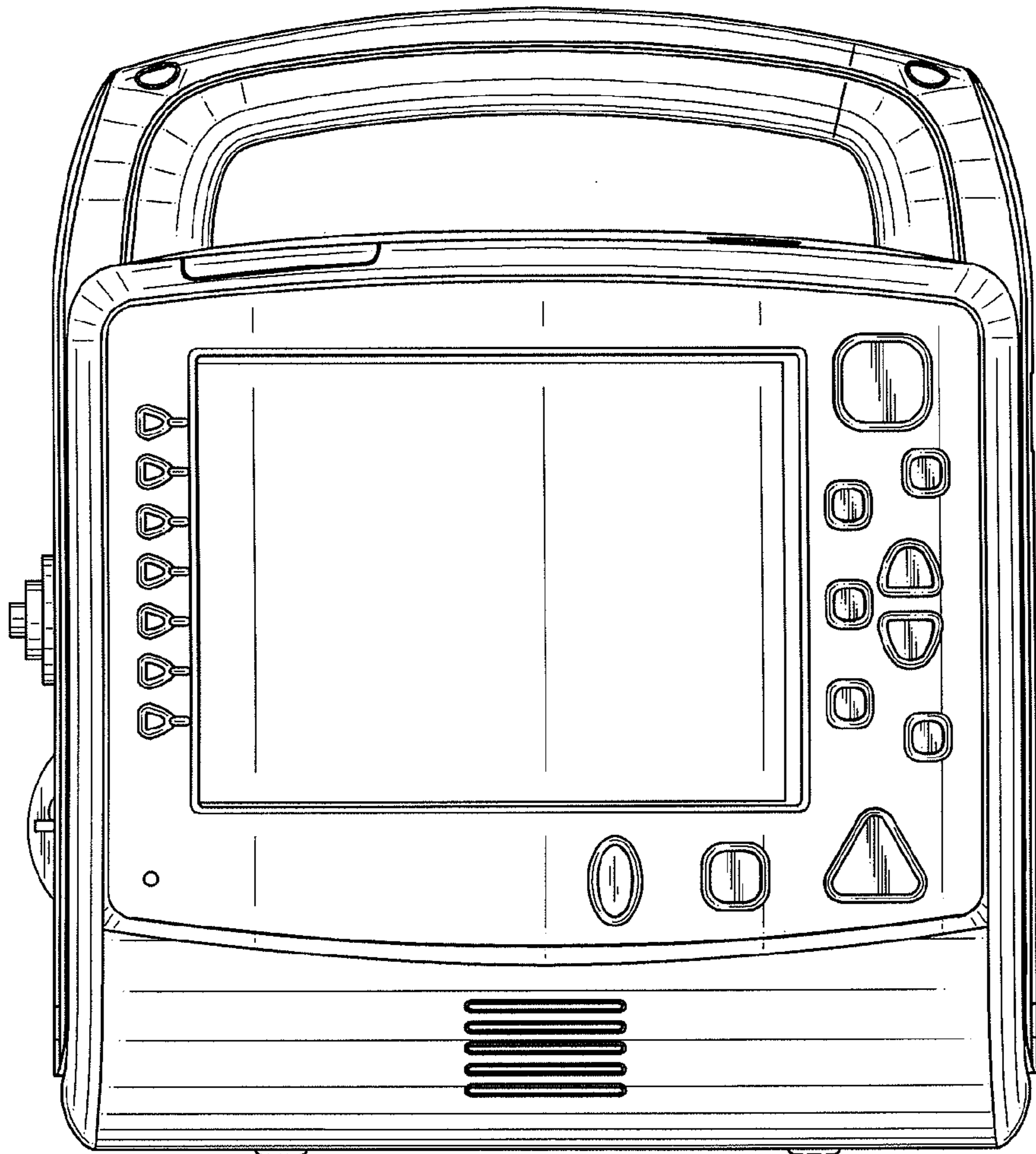


FIG.2

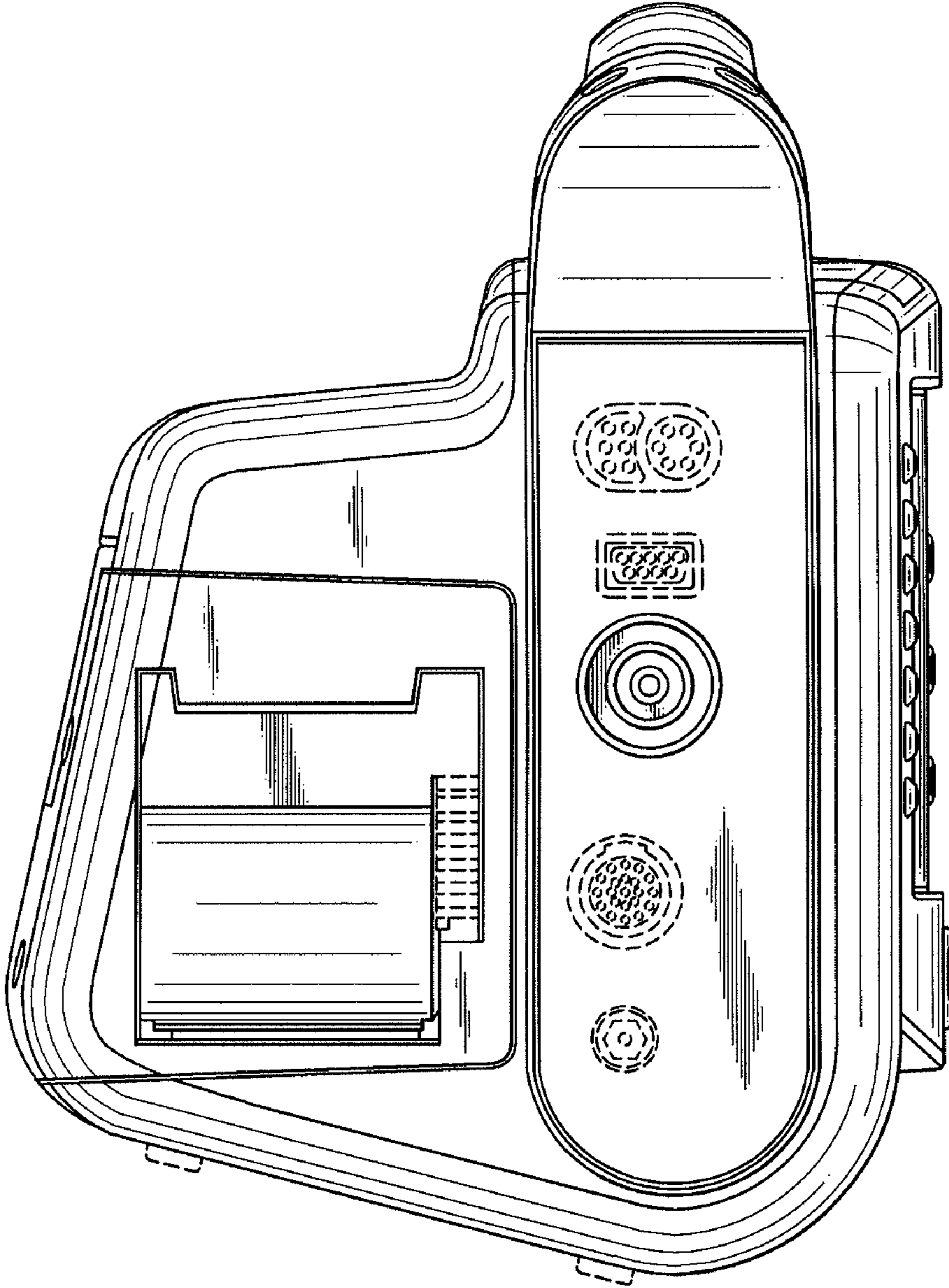


FIG.3

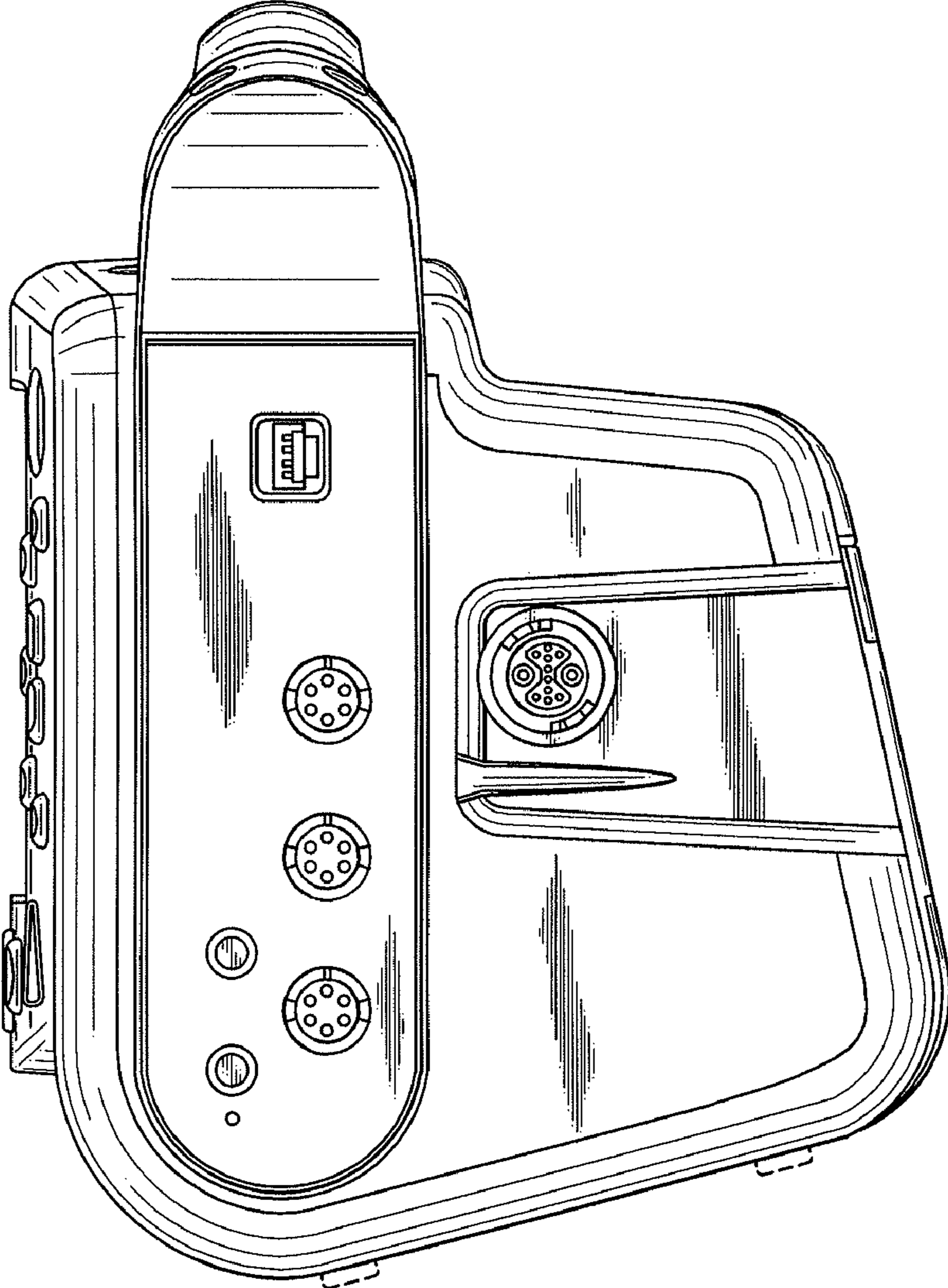


FIG.4

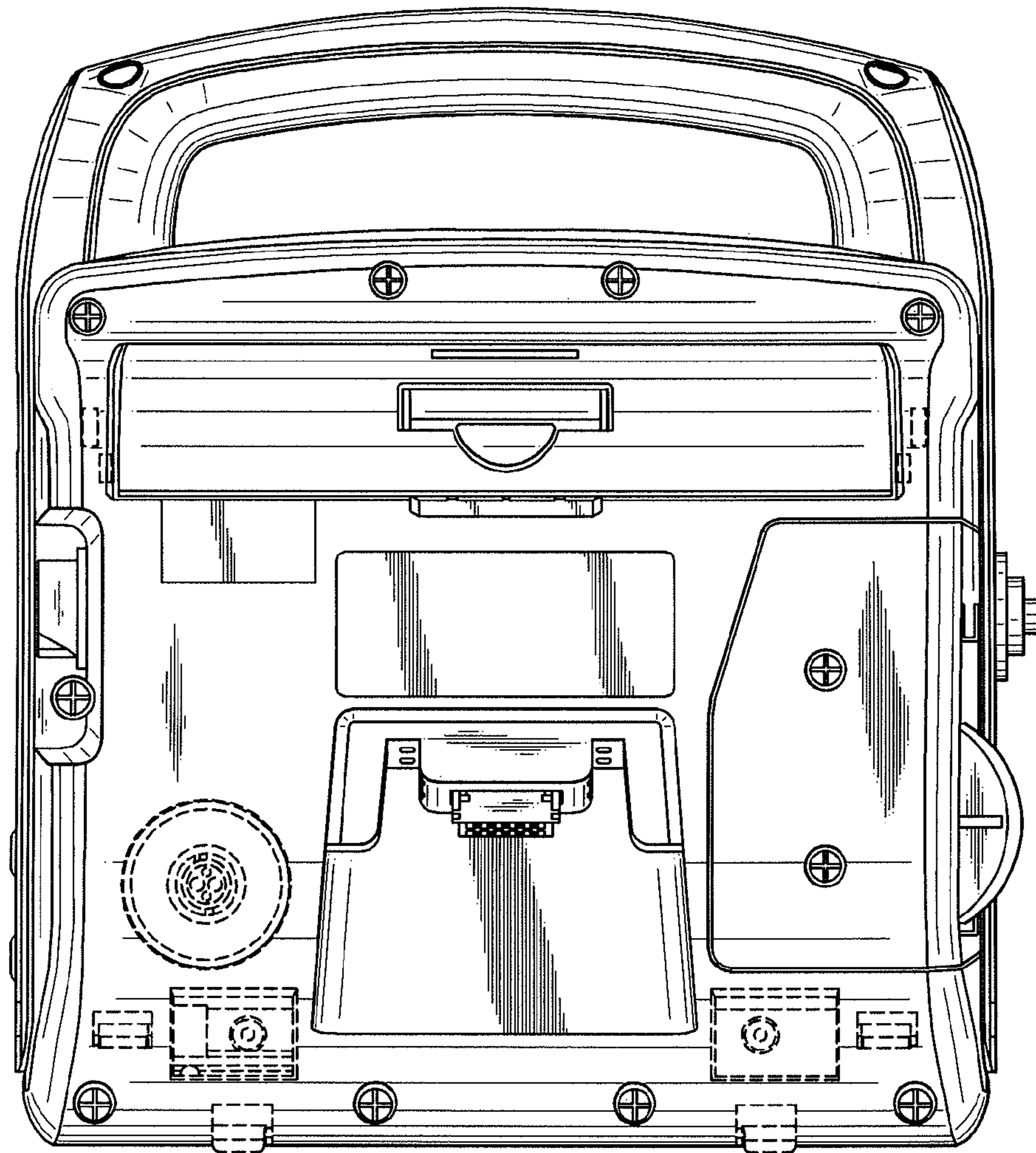


FIG.5

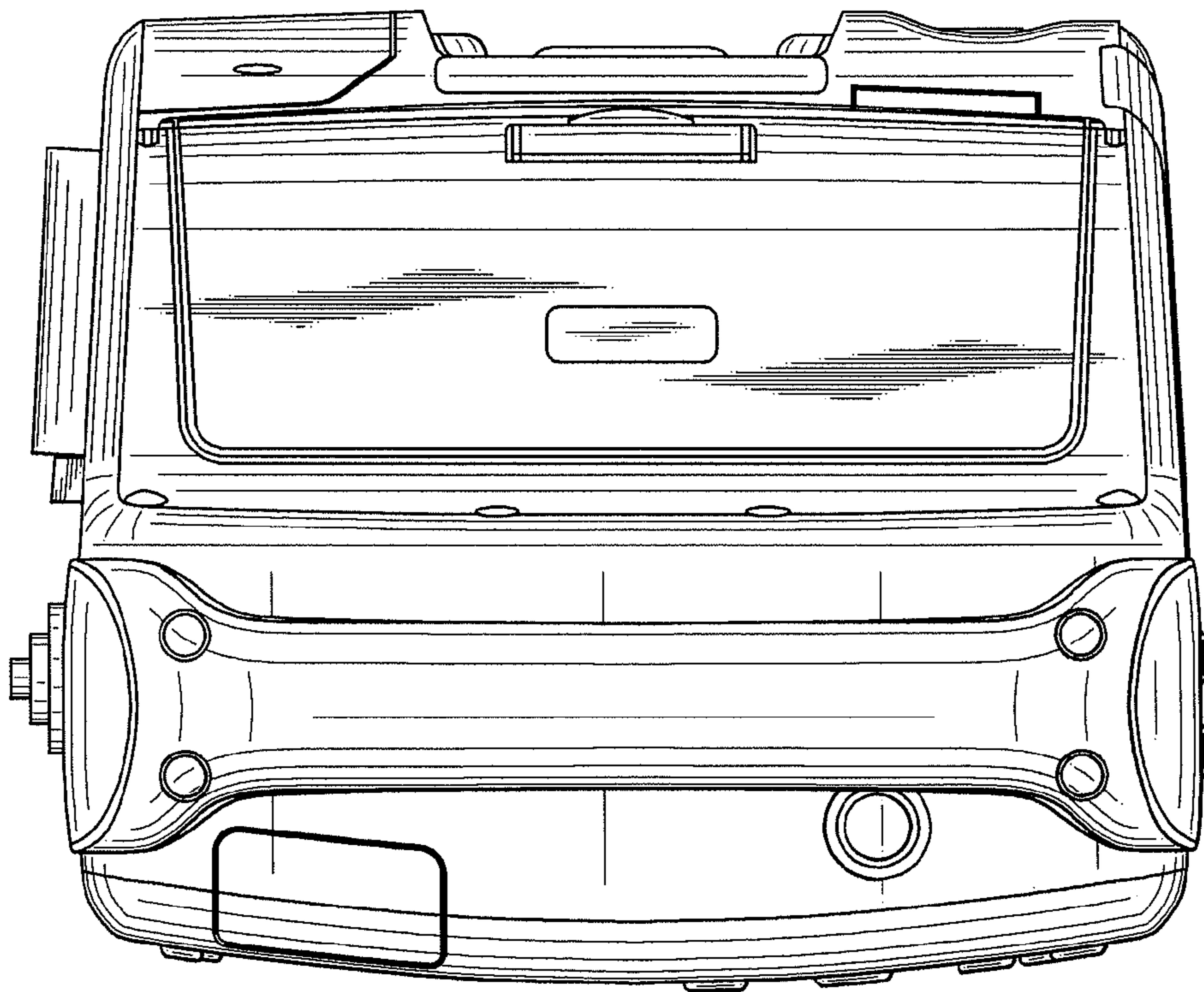


FIG. 6

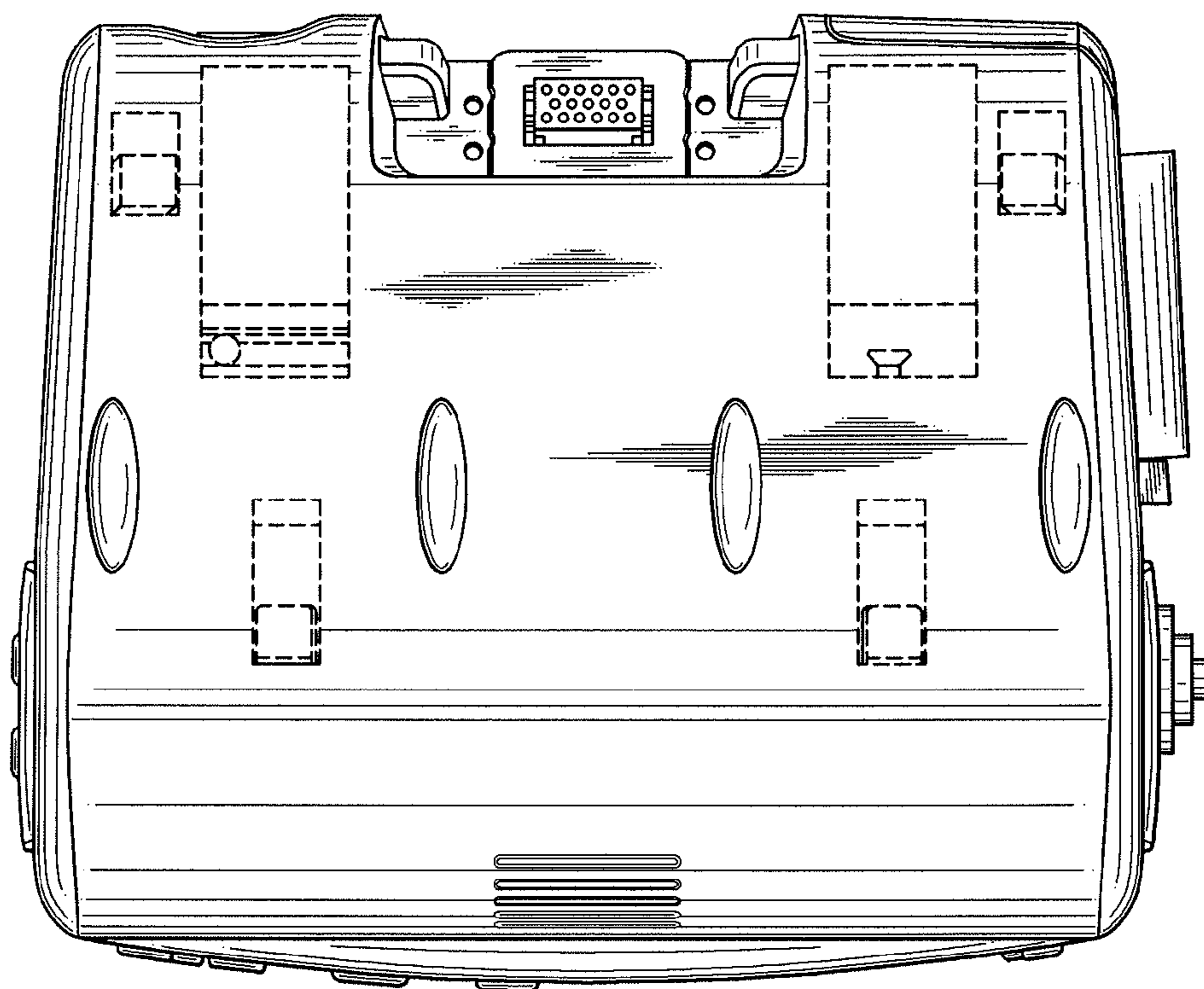


FIG. 7

UNITED STATES PATENT AND TRADEMARK OFFICE  
**CERTIFICATE OF CORRECTION**

PATENT NO. : D621,511 S  
APPLICATION NO. : 29/323125  
DATED : August 10, 2010  
INVENTOR(S) : Braxton L. Lathrop et al.

Page 1 of 1

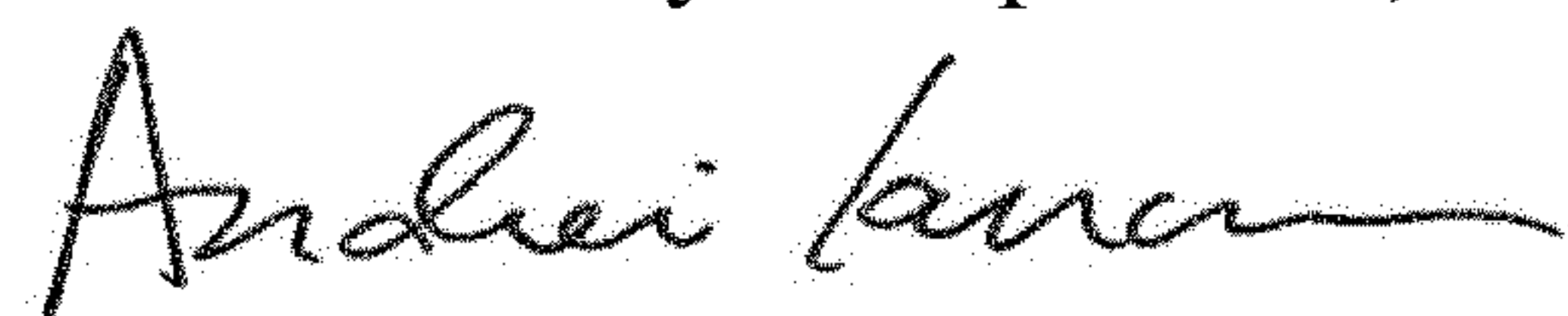
It is certified that error appears in the above-identified patent and that said Letters Patent is hereby corrected as shown below:

On the Title Page

Column 2 Insert the following Government Support Clause paragraph after the "DESCRIPTION" heading:

-- This invention was made with Government Support under Grant Award Number W81XWH-05-1-0599 awarded by the Department of Defense (ARMY/MRMC). The Government has certain rights in the invention. --

Signed and Sealed this  
Seventeenth Day of September, 2019



Andrei Iancu  
*Director of the United States Patent and Trademark Office*