



US00D621510S

(12) **United States Design Patent**
Meswania et al.

(10) **Patent No.:** **US D621,510 S**

(45) **Date of Patent:** **** Aug. 10, 2010**

(54) **PROSTHETIC JOINT COLLAR**

(56)

References Cited

(75) Inventors: **Jay Meswania**, St. Albans (GB); **Paul Unwin**, Hertfordshire (GB)

U.S. PATENT DOCUMENTS

(73) Assignee: **Stanmore Implants Worldwide Limited**, Elstree, Herts (GB)

4,032,994 A *	7/1977	Frey	623/22.45
D286,181 S *	10/1986	Kenna	D24/155
5,326,311 A *	7/1994	Persoon et al.	452/184
5,800,556 A *	9/1998	Sanders et al.	623/22.45
D493,224 S *	7/2004	Cosgrove	D24/155
D503,802 S *	4/2005	Bjarnason	D24/155

(**) Term: **14 Years**

(21) Appl. No.: **29/338,256**

(22) Filed: **Jun. 8, 2009**

* cited by examiner

Related U.S. Application Data

Primary Examiner—Charles A Rademaker

(63) Continuation-in-part of application No. 11/981,394, filed on Oct. 31, 2007, which is a continuation-in-part of application No. 11/433,953, filed on May 15, 2006, now Pat. No. 7,662,189, which is a continuation of application No. 10/450,559, filed as application No. PCT/GB01/05456 on Dec. 7, 2001, now Pat. No. 7,044,976.

(74) *Attorney, Agent, or Firm*—Galgano & Associates PLLC; Thomas M. Galgano; Jessica G. Bower

(57)

CLAIM

The ornamental design for a prosthetic joint collar, as shown and described.

(30) **Foreign Application Priority Data**

DESCRIPTION

Dec. 15, 2000 (GB) 0030643.1

FIG. 1 is a perspective view of a prosthetic joint collar showing my new design;

(51) **LOC (9) Cl.** **24-03**

FIG. 2 is a side elevation thereof;

(52) **U.S. Cl.** **D24/155**

FIG. 3 is a front elevation thereof;

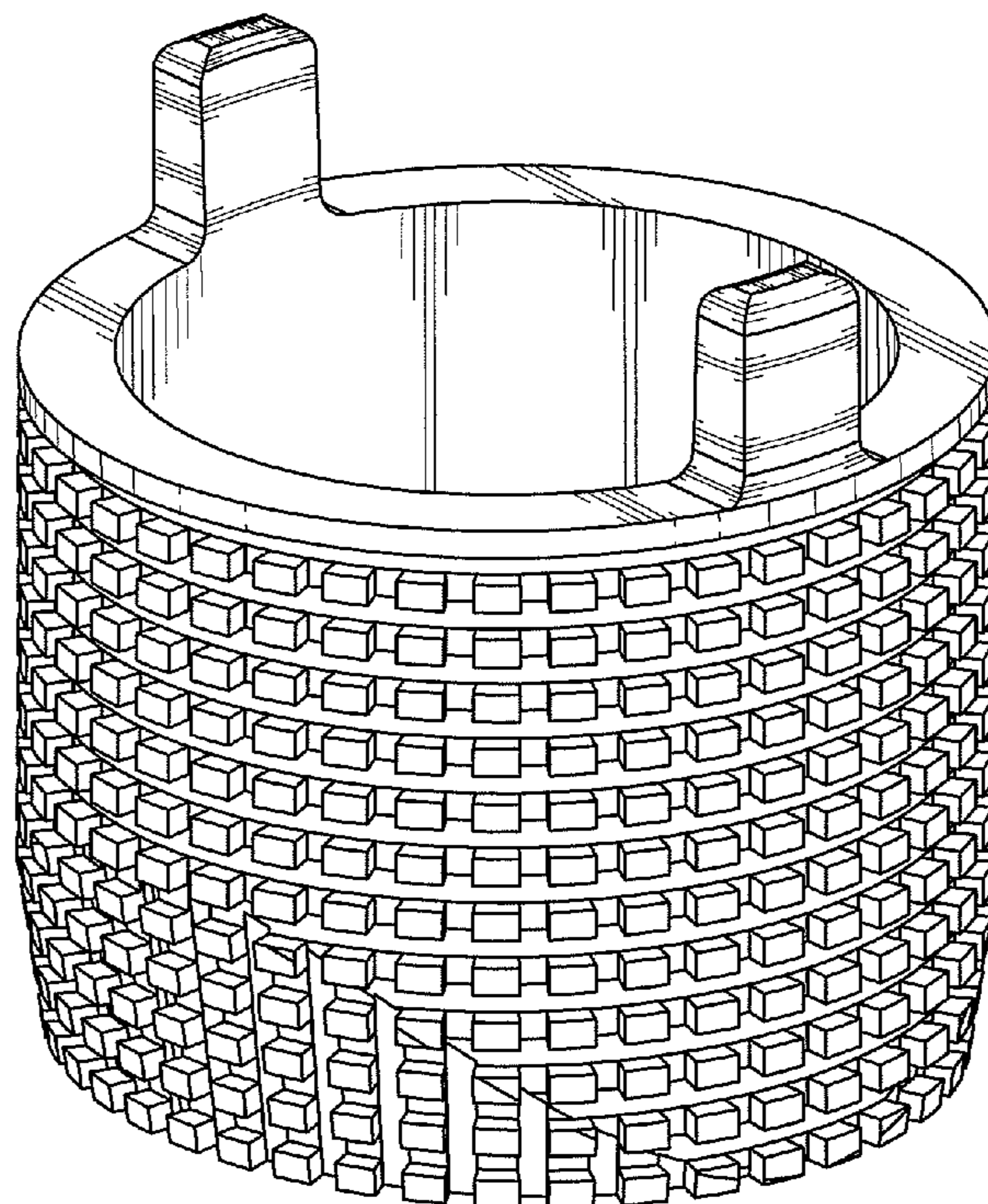
(58) **Field of Classification Search** D24/155–157; 606/60, 61, 73, 95, 213, 245, 248, 249; 623/23.61, 623/23.56, 247, 213, 623.45, 11.11, 16.14, 623/20.23, 20.33, 41, 17.11–17.16

FIG. 4 is a top plan view thereof; and,

FIG. 5 is a bottom plan view thereof.

See application file for complete search history.

1 Claim, 5 Drawing Sheets



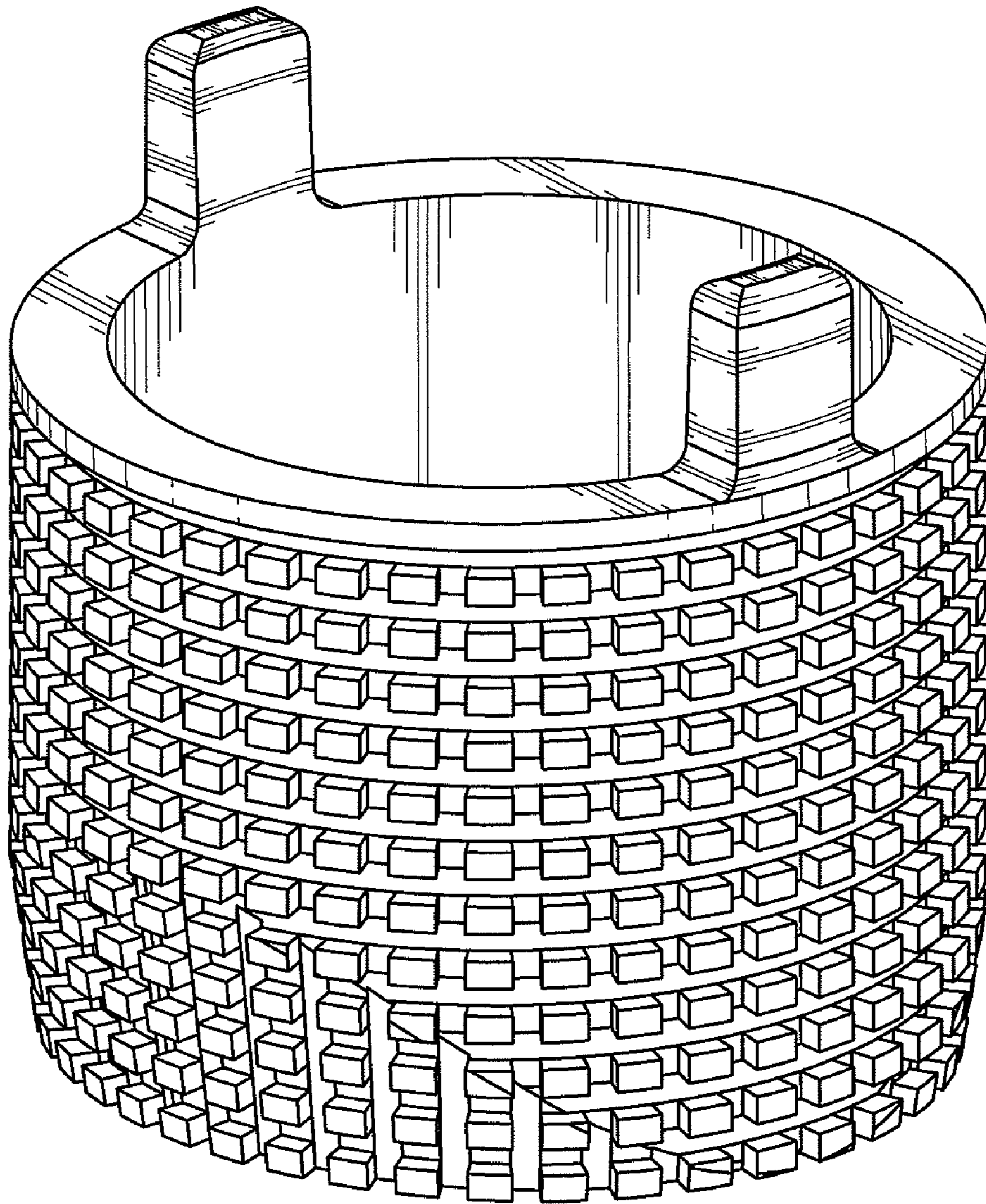


FIG. 1

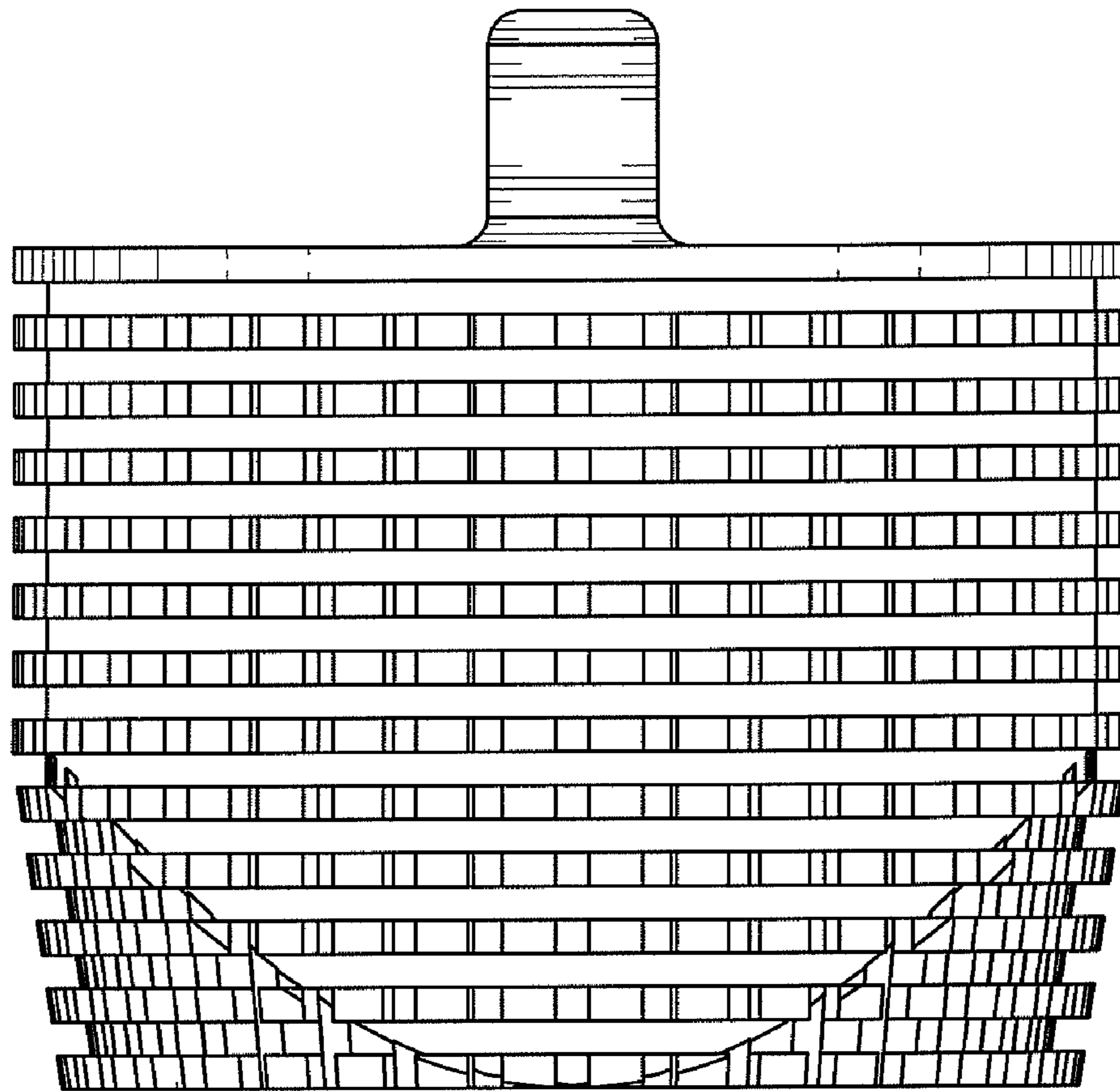


FIG. 2

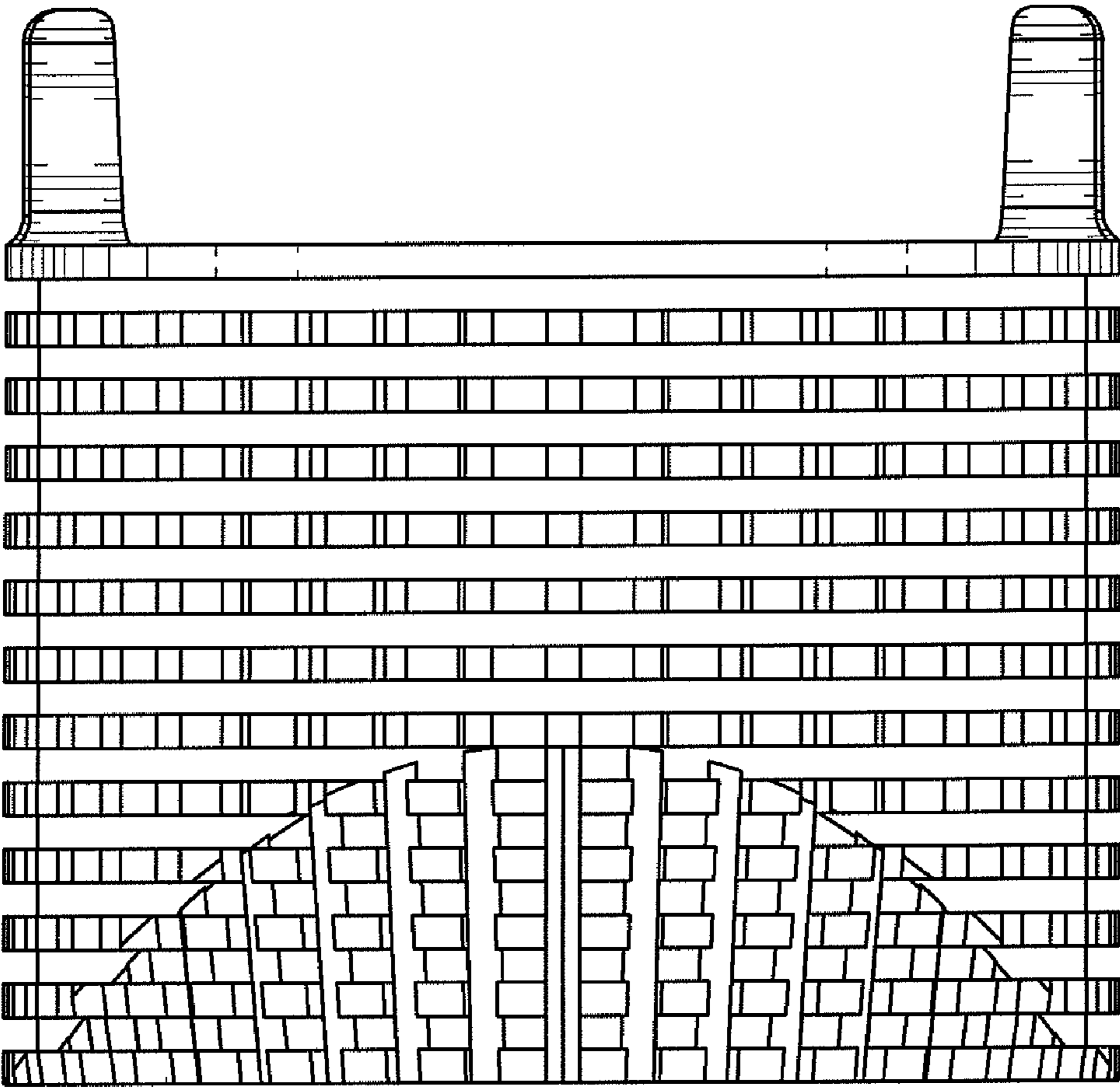


FIG. 3

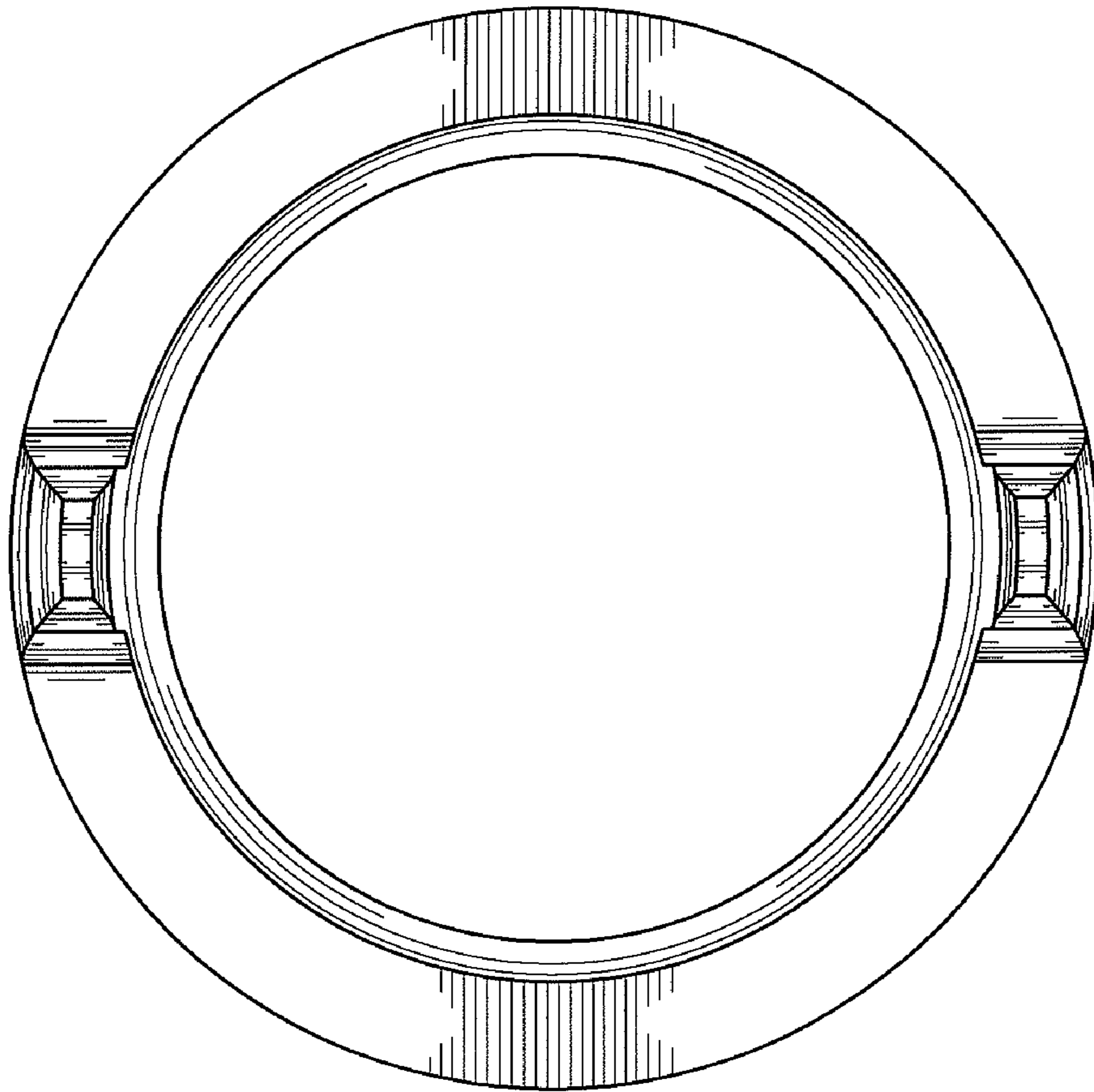


FIG. 4

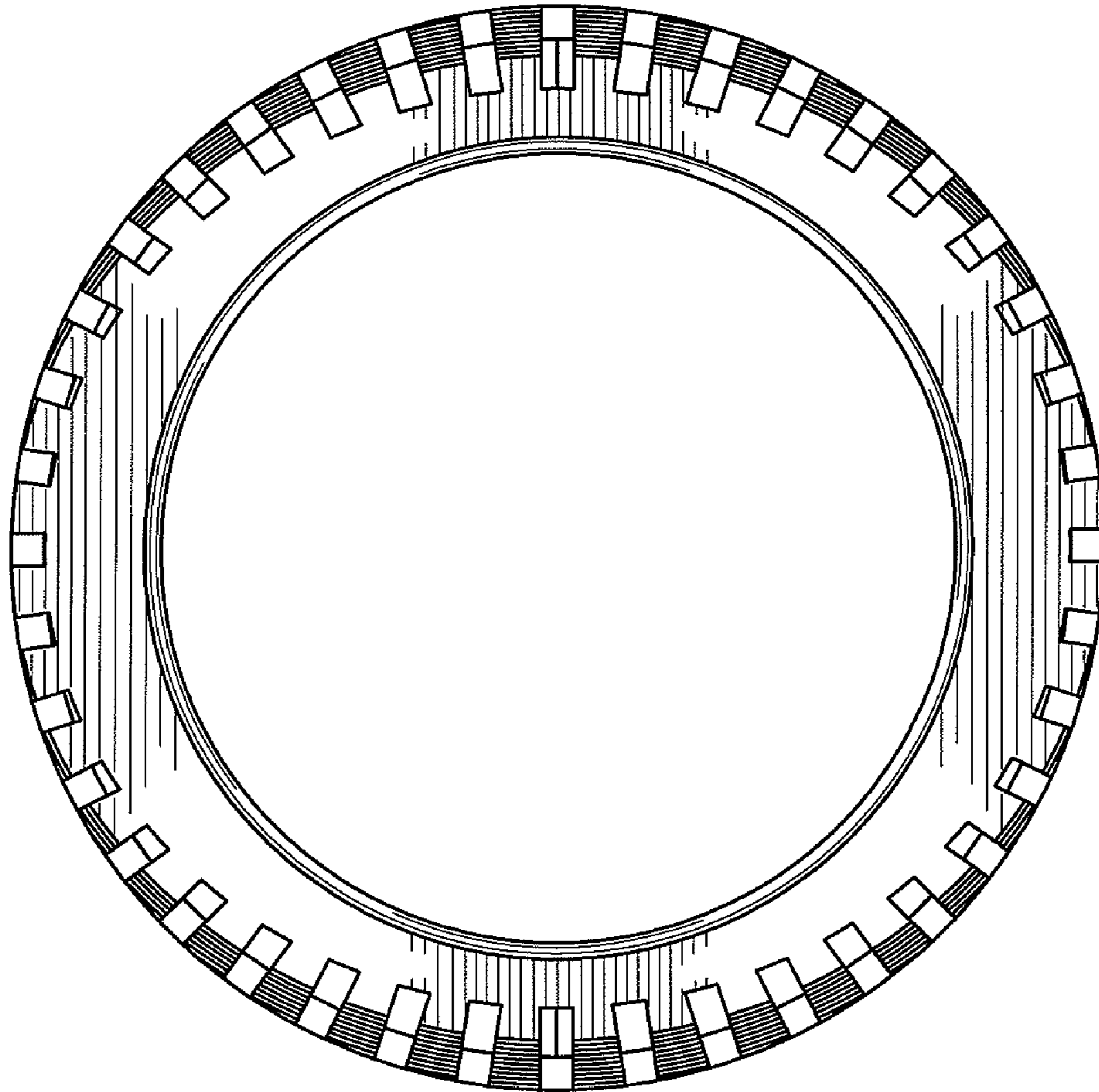


FIG. 5