



US00D621508S

(12) **United States Design Patent**  
**Bindra**

(10) **Patent No.:** **US D621,508 S**

(45) **Date of Patent:** **\*\* Aug. 10, 2010**

(54) **OPHTHALMIC INJECTION AID**

(75) Inventor: **Mandeep Singh Bindra**, Birmingham  
(GB)

(73) Assignee: **Sandwell and West Birmingham  
Hospitals NHS Trust**, Birmingham,  
West Midlands (GB)

(\*\*) Term: **14 Years**

(21) Appl. No.: **29/341,266**

(22) Filed: **Aug. 3, 2009**

(30) **Foreign Application Priority Data**

Feb. 3, 2009 (GB) ..... 4010129

(51) **LOC (9) Cl.** ..... **24-02**

(52) **U.S. Cl.** ..... **D24/150; D28/7**

(58) **Field of Classification Search** ..... D24/119,  
D24/150, 172, 147; D28/7; 604/1-3, 6.12,  
604/6.16, 116, 117, 166.01, 264, 289, 290,  
604/294-295, 298, 300, 521

See application file for complete search history.

(56) **References Cited**

**U.S. PATENT DOCUMENTS**

- D211,676 S \* 7/1968 Flower, Jr. .... D24/119
- 3,884,232 A \* 5/1975 Braun ..... 604/289
- D257,400 S \* 10/1980 Cunningham ..... D28/7
- D321,954 S \* 11/1991 Aylott ..... D28/7
- D351,229 S \* 10/1994 Wirt ..... D24/119
- D464,429 S \* 10/2002 Martin et al. .... D24/119
- 7,087,050 B2 \* 8/2006 LaHaye ..... 604/294
- 7,402,156 B2 \* 7/2008 Kiehlbauch et al. .... 604/294

D576,352 S \* 9/2008 Brestoni ..... D28/7  
2010/0030150 A1 \* 2/2010 Paques et al. .... 604/116

**FOREIGN PATENT DOCUMENTS**

DE 19500708 A1 7/1996  
WO 01/49226 A1 1/2001

\* cited by examiner

*Primary Examiner*—Ian Simmons

*Assistant Examiner*—Wan Laymon

(74) *Attorney, Agent, or Firm*—Michael Best & Friedrich  
LLP

(57) **CLAIM**

I claim the ornamental design for an ophthalmic injection aid,  
as shown and described.

**DESCRIPTION**

FIG. 1 is a front perspective view of an ophthalmic injection  
aid embodying the invention.

FIG. 2 is a front view of the ophthalmic injection aid shown in  
FIG. 1.

FIG. 3 is a rear view of the ophthalmic injection aid shown in  
FIG. 1.

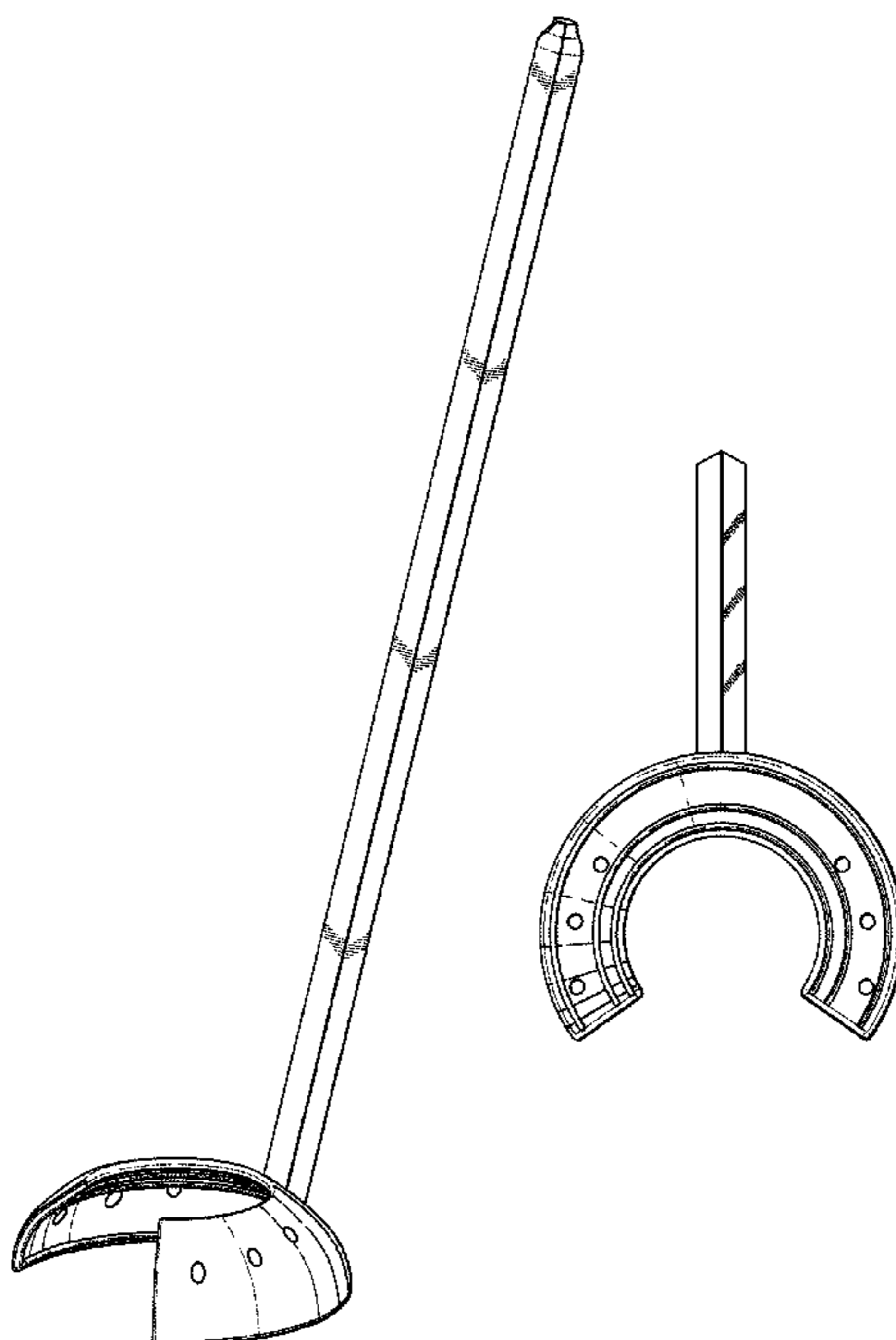
FIG. 4 is a side view of the ophthalmic injection aid shown in  
FIG. 1.

FIG. 5 is an opposite side view of the ophthalmic injection aid  
shown in FIG. 1.

FIG. 6 is an enlarged top view of the ophthalmic injection aid  
shown in FIG. 1; and,

FIG. 7 is an enlarged bottom view of the ophthalmic injection  
aid shown in FIG. 1.

**1 Claim, 5 Drawing Sheets**



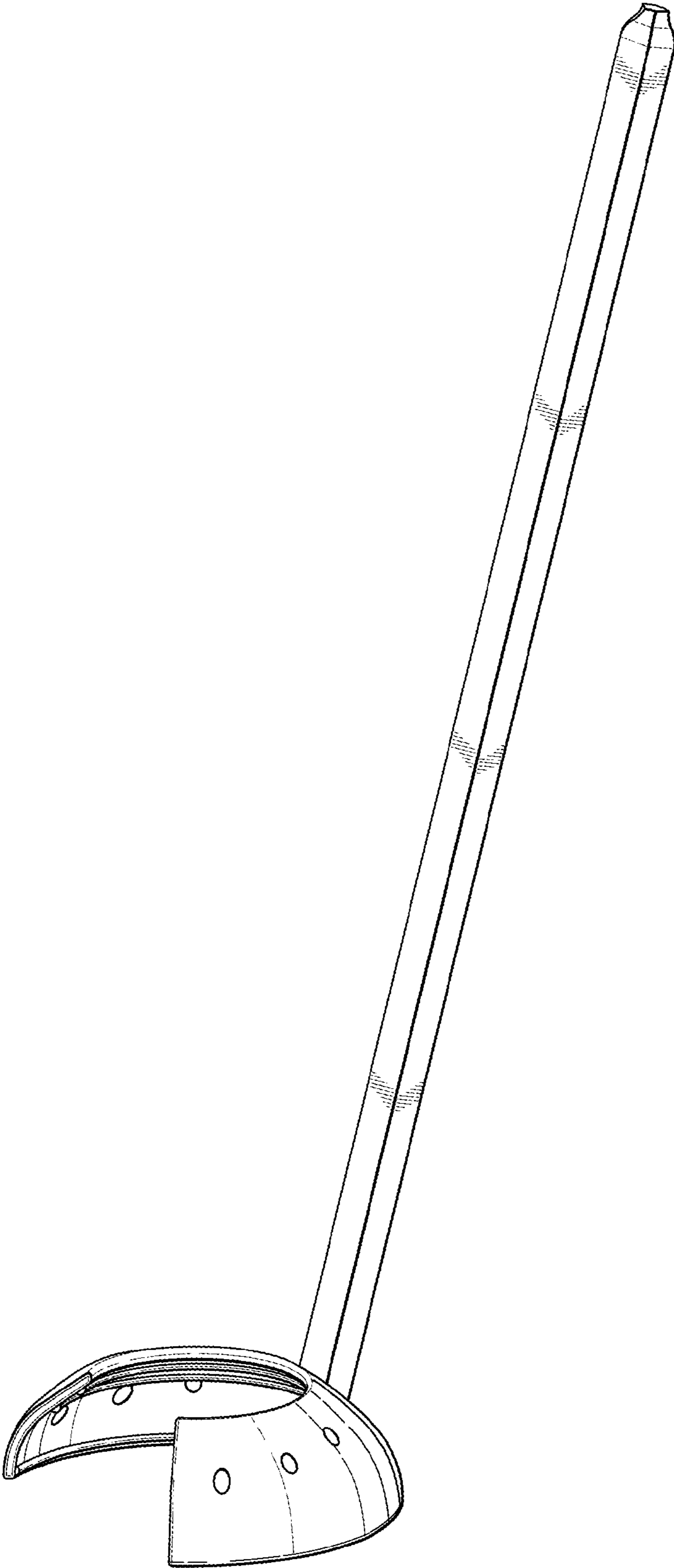
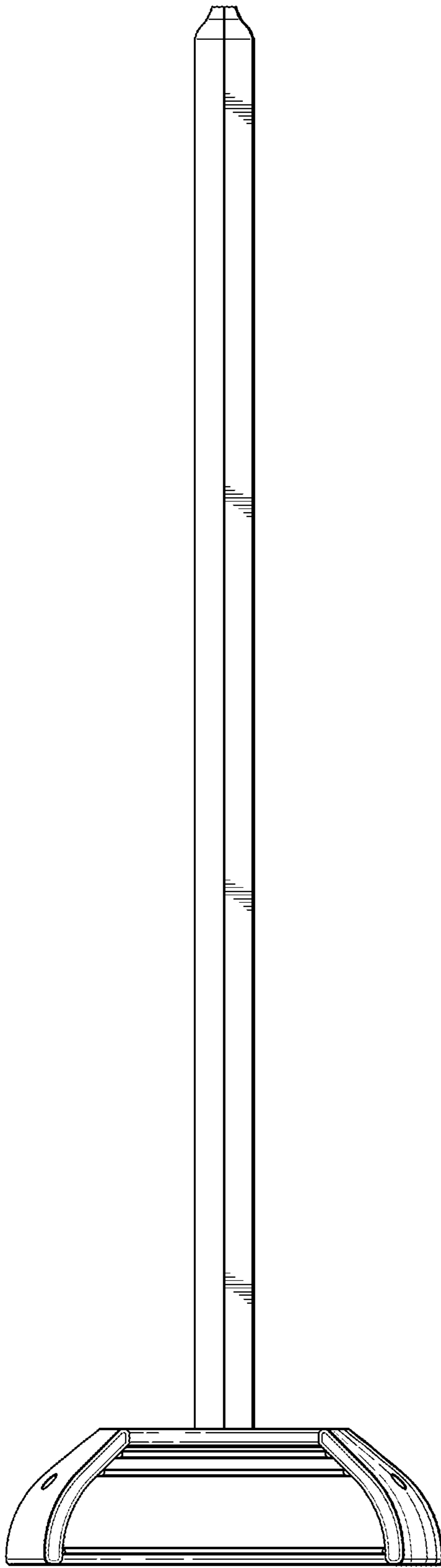
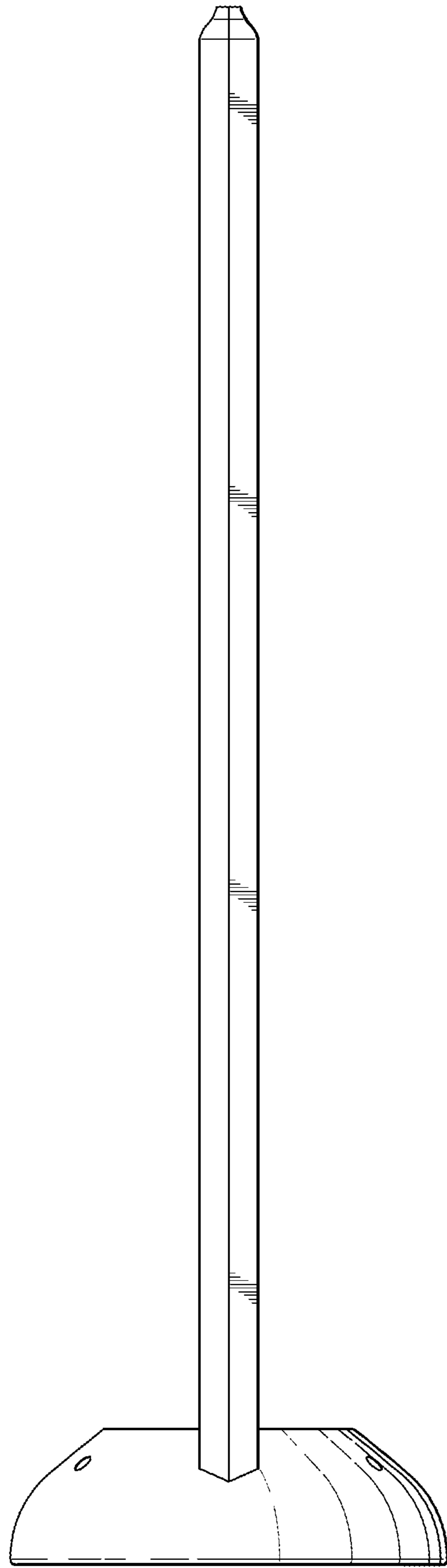


FIG. 1



*FIG. 2*



*FIG. 3*

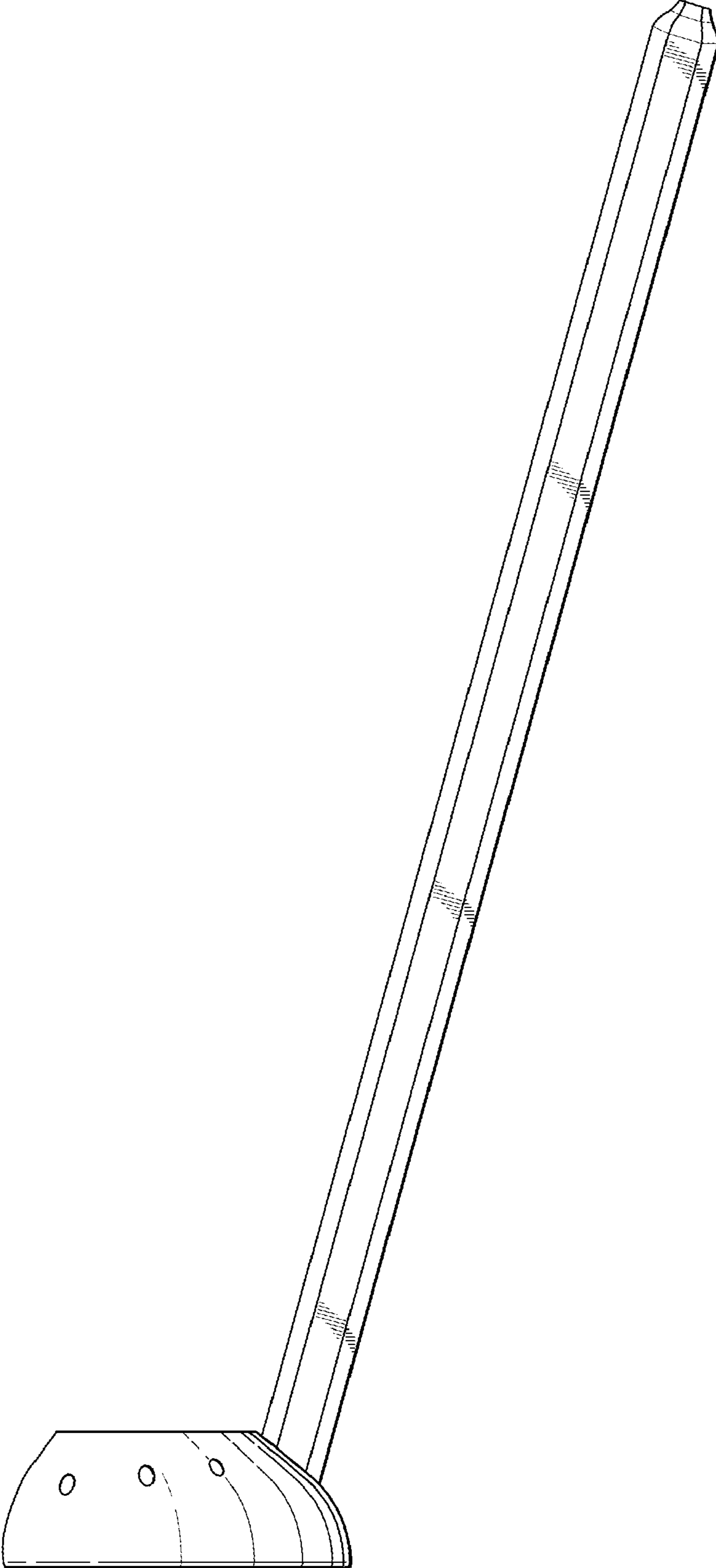
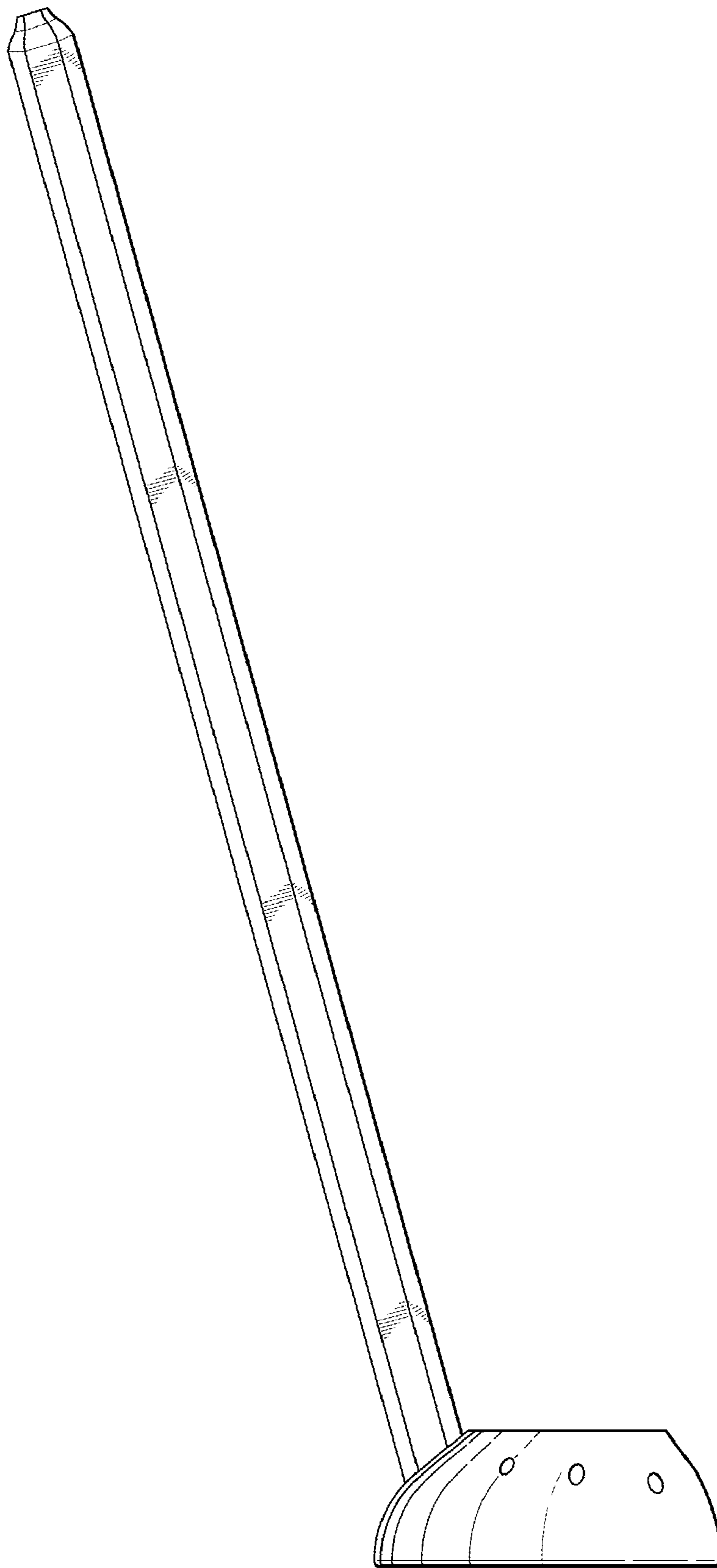
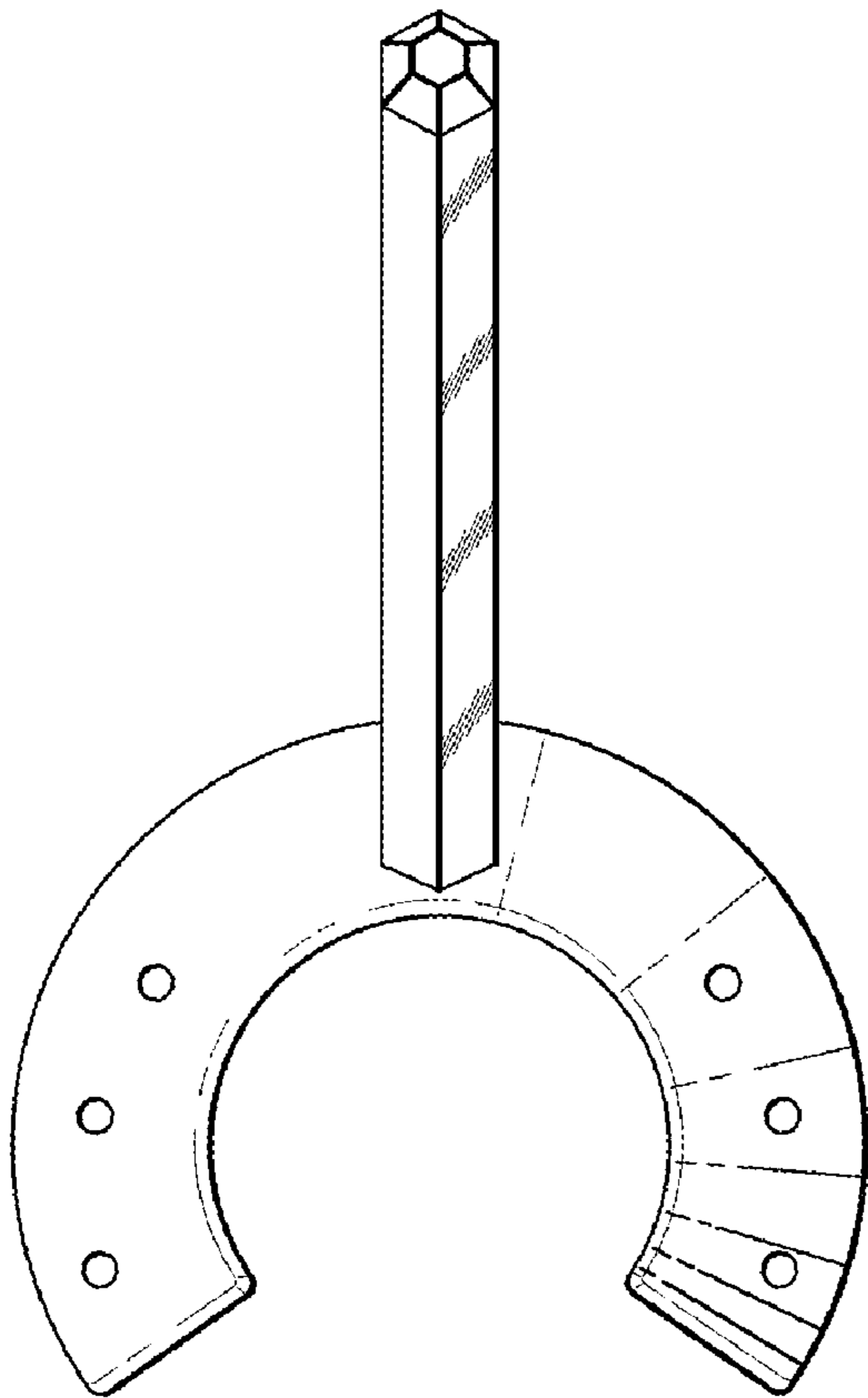


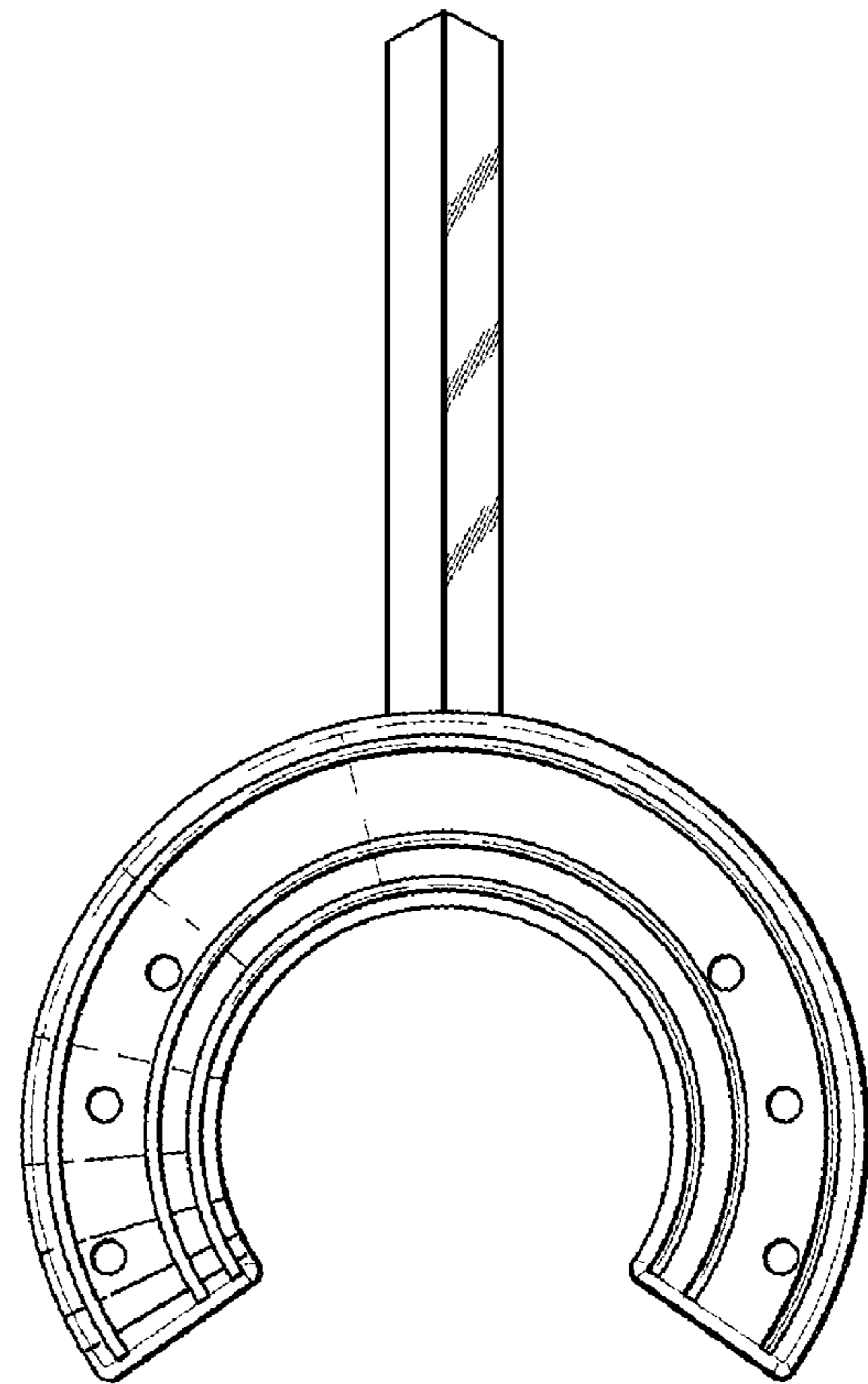
FIG. 4



*FIG. 5*



*FIG. 6*



*FIG. 7*