



US00D621507S

(12) **United States Design Patent**  
**Romero**

(10) **Patent No.:** **US D621,507 S**

(45) **Date of Patent:** **\*\* Aug. 10, 2010**

(54) **CONNECTOR HUB ASSEMBLY**

(75) Inventor: **Paul R. Romero**, Loveland, CO (US)

(73) Assignee: **TYCO Healthcare Group LP**, Boulder, CO (US)

(\*\*) Term: **14 Years**

(21) Appl. No.: **29/326,120**

(22) Filed: **Oct. 13, 2008**

(51) **LOC (9) Cl.** ..... **24-02**

(52) **U.S. Cl.** ..... **D24/144; D13/154**

(58) **Field of Classification Search** ..... **D24/144;**  
**D14/433, 480.3; D13/133, 154, 146; 439/452,**  
**439/151, 218-219, 909, 489, 683, 686, 651,**  
**439/650, 756, 912, 131, 535; 606/42, 41,**  
**606/48, 50**

See application file for complete search history.

(56) **References Cited**

**U.S. PATENT DOCUMENTS**

5,268,982	A *	12/1993	Schaffer et al.	.....	385/76
D448,345	S *	9/2001	Fristedt	.....	D13/133
D478,321	S *	8/2003	Peng	.....	D13/154
6,786,743	B2 *	9/2004	Huang	.....	439/131
6,824,422	B2 *	11/2004	Huang	.....	439/535
D516,028	S *	2/2006	Deng	.....	D13/133
7,131,860	B2 *	11/2006	Sartor et al.	.....	439/489
D556,134	S *	11/2007	Lee et al.	.....	D13/133
D578,065	S *	10/2008	Baker et al.	.....	D13/133
D580,370	S *	11/2008	Ramsey	.....	D13/154
D583,770	S *	12/2008	Ramsey	.....	D13/154

D593,491 S \* 6/2009 Liu et al. .... D13/133  
2009/0248015 A1 \* 10/2009 Heard et al. .... 606/42

\* cited by examiner

*Primary Examiner*—Ian Simmons  
*Assistant Examiner*—Wan Laymon

(57) **CLAIM**

The ornamental design for a connector hub assembly, as shown and described.

**DESCRIPTION**

FIG. 1 is a top and front perspective view of a connector hub assembly in accordance of the present design;

FIG. 2 is a top plan view of the connector hub assembly of FIG. 1;

FIG. 3 is a bottom plan view of the connector hub assembly of FIG. 1;

FIG. 4 is a rear elevation view of the connector hub assembly of FIG. 1;

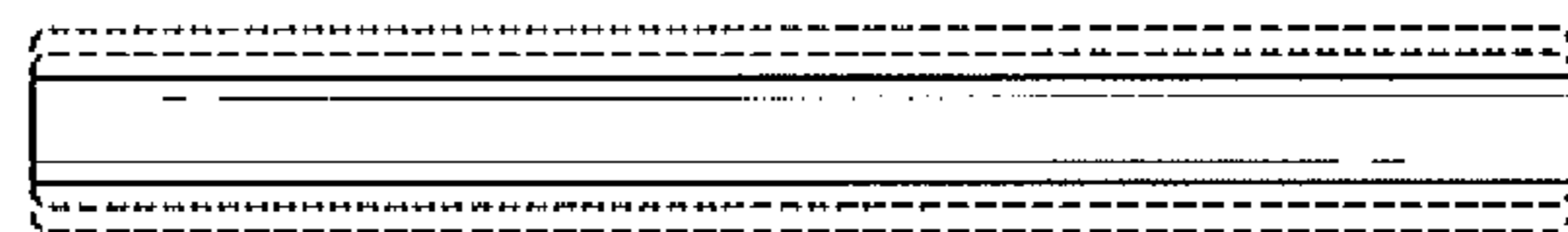
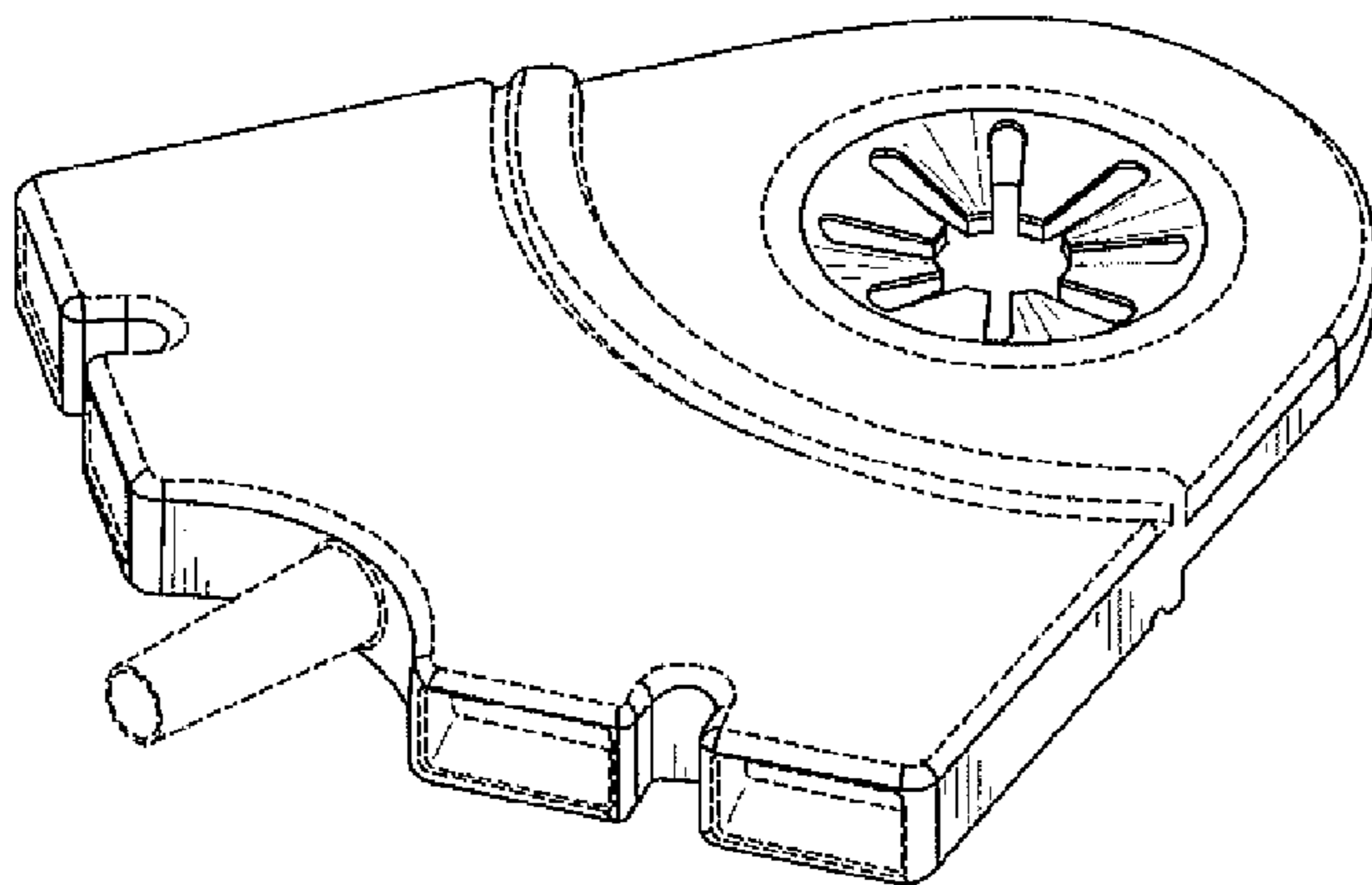
FIG. 5 is a front elevation view of the connector hub assembly of FIG. 1;

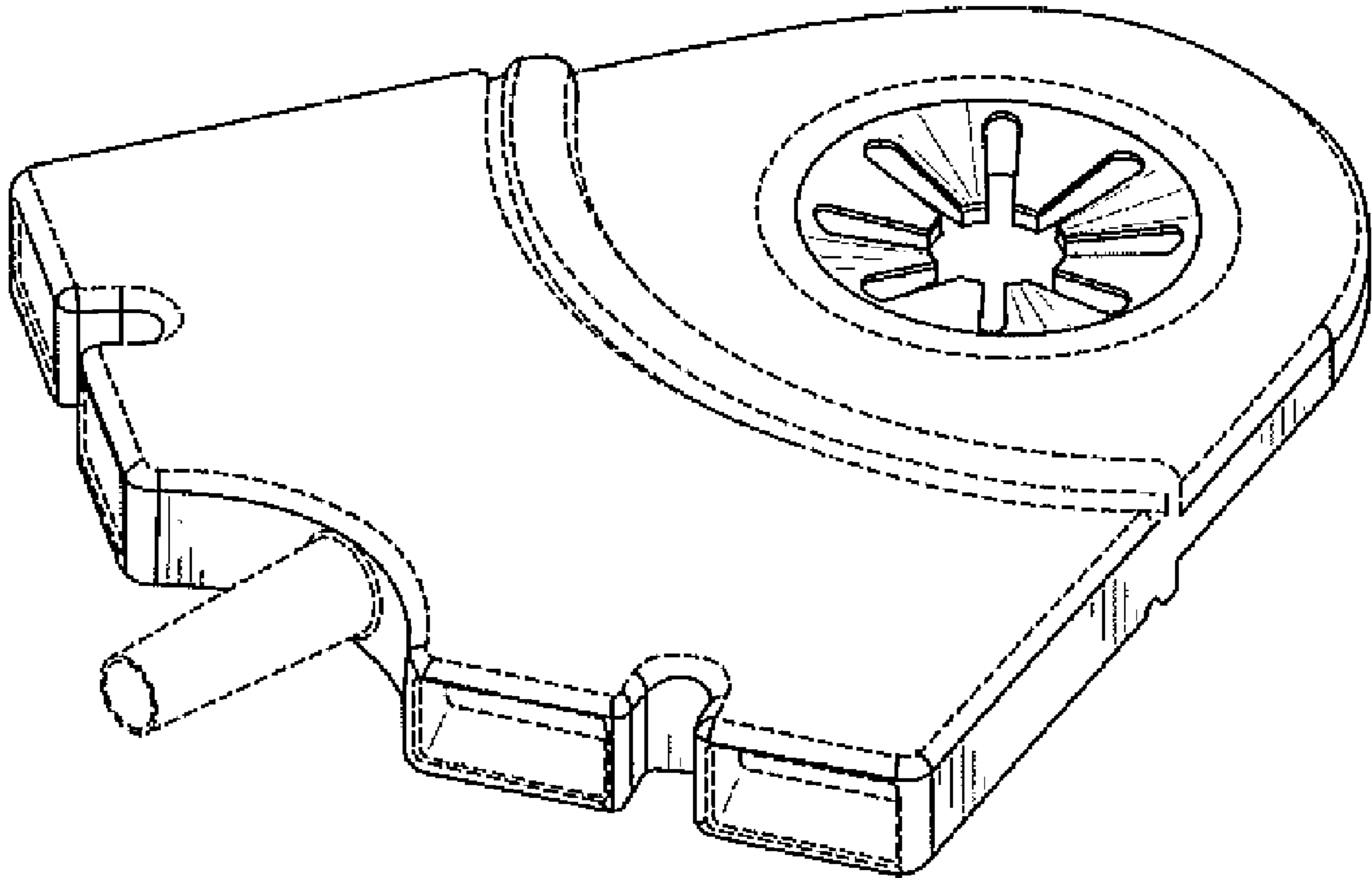
FIG. 6 is a right side elevation view of the connector hub assembly of FIG. 1; and,

FIG. 7 is a left side elevation view of the connector hub assembly of FIG. 1.

In FIGS. 1-7, the features of the connector hub assembly shown in phantom lines are for illustrative purposes only and do not constitute a part of the claimed design.

**1 Claim, 4 Drawing Sheets**





**FIG. 1**

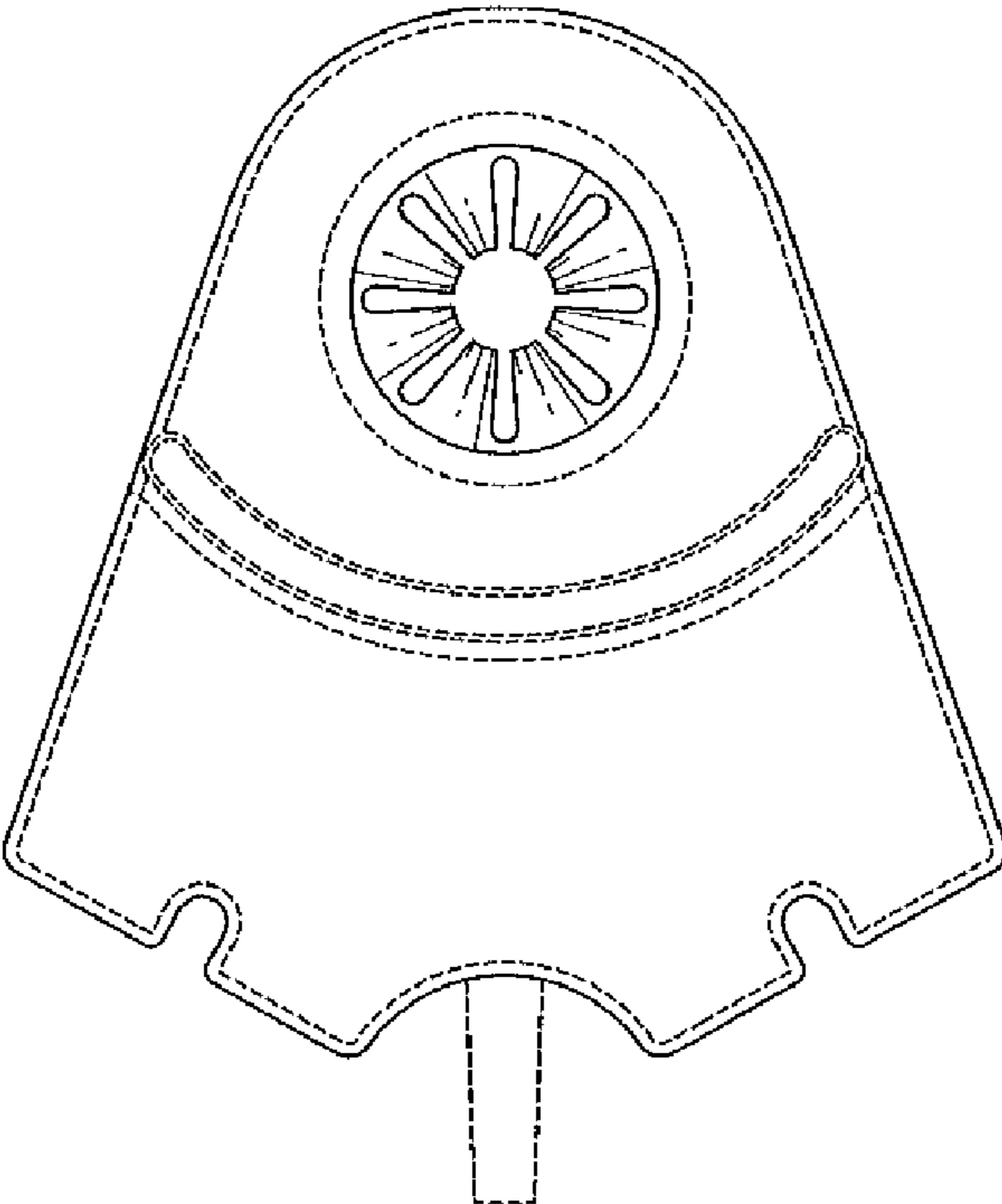


FIG. 2

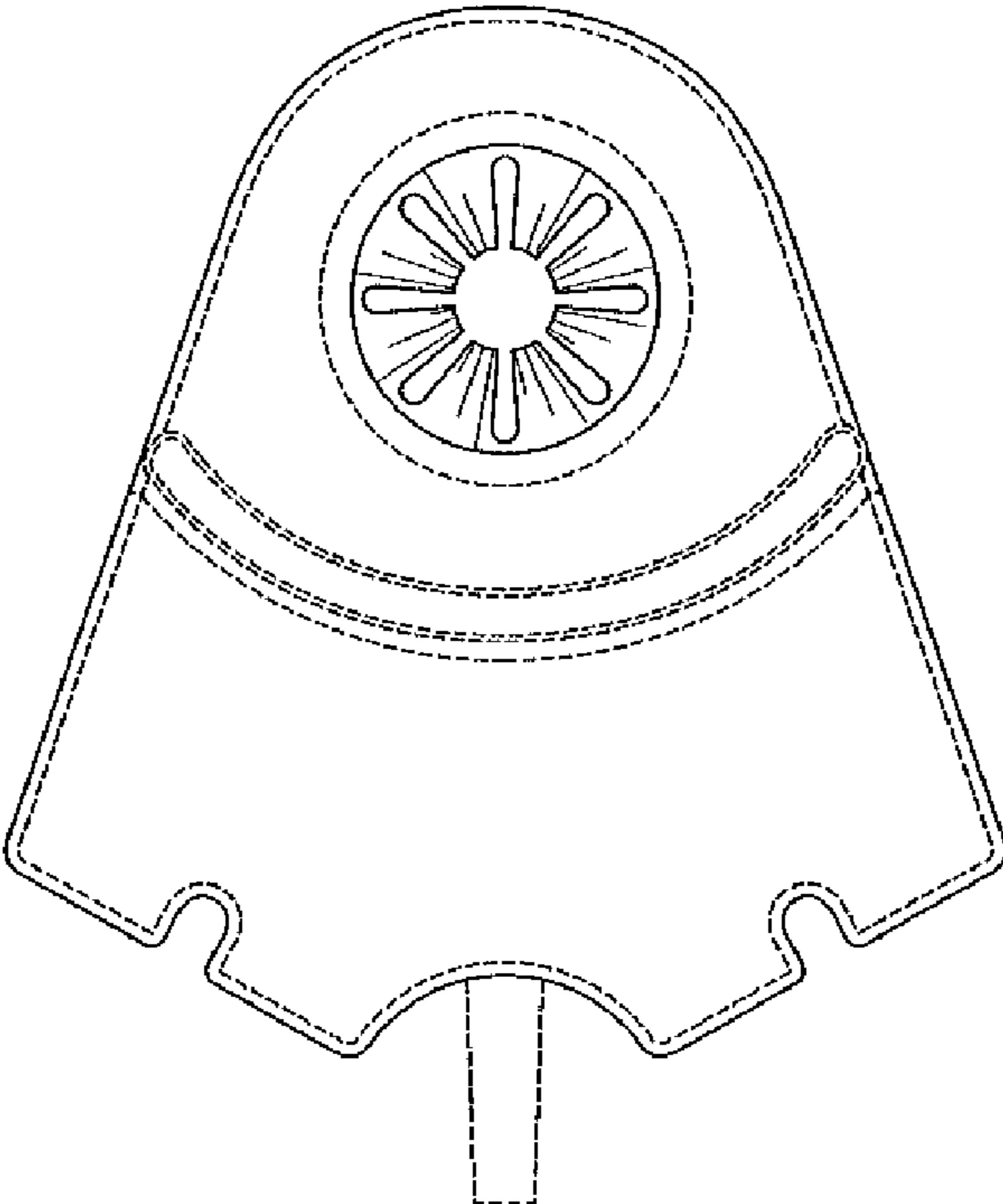


FIG. 3

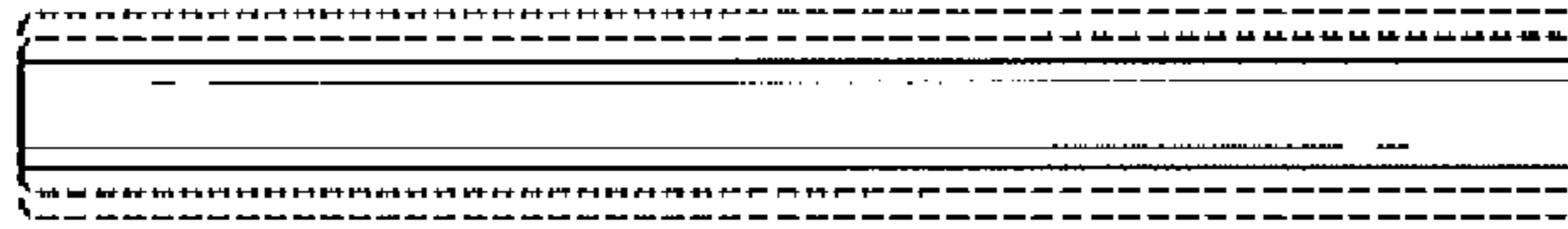


FIG. 4

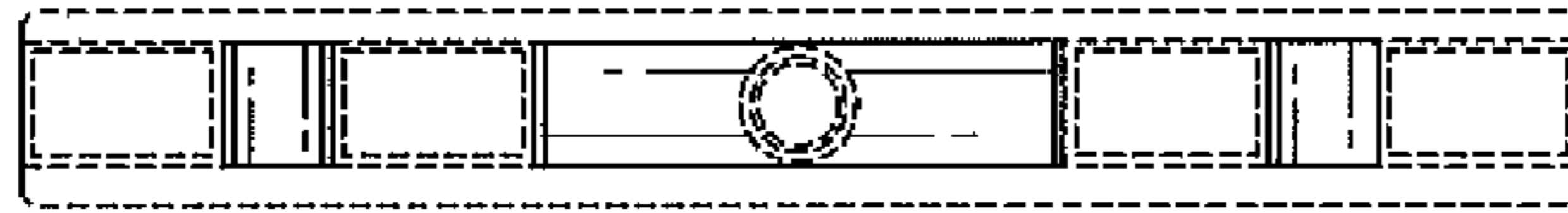


FIG. 5

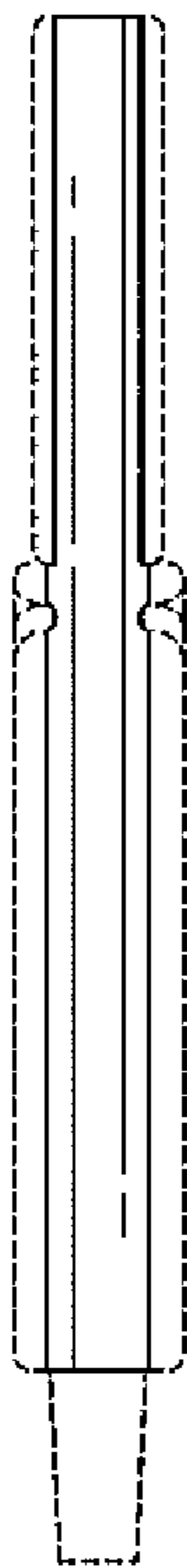


FIG. 6

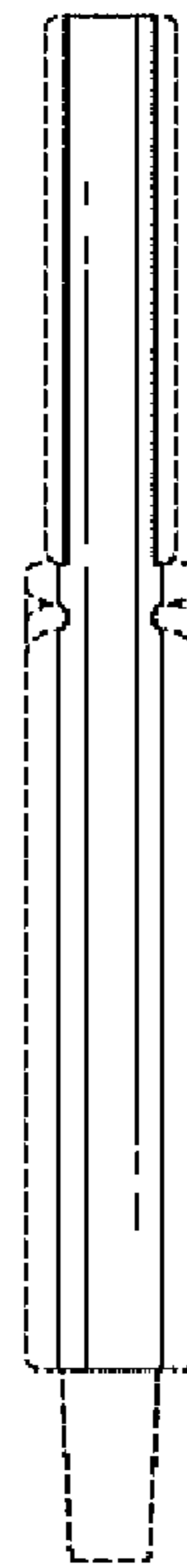


FIG. 7

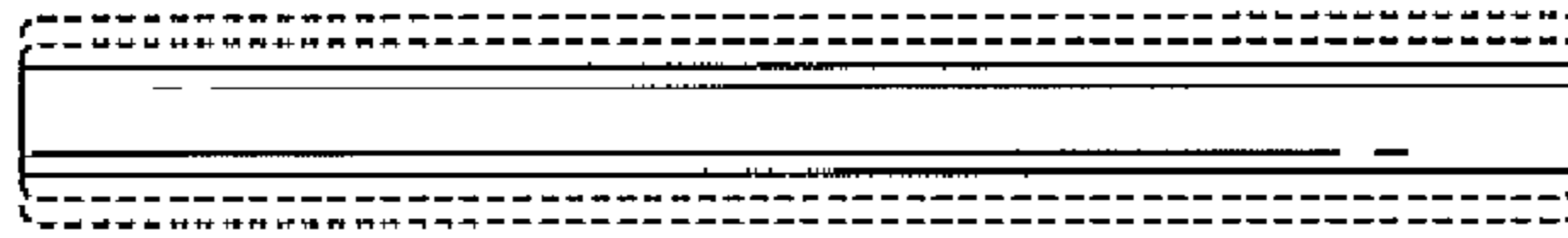


FIG. 4

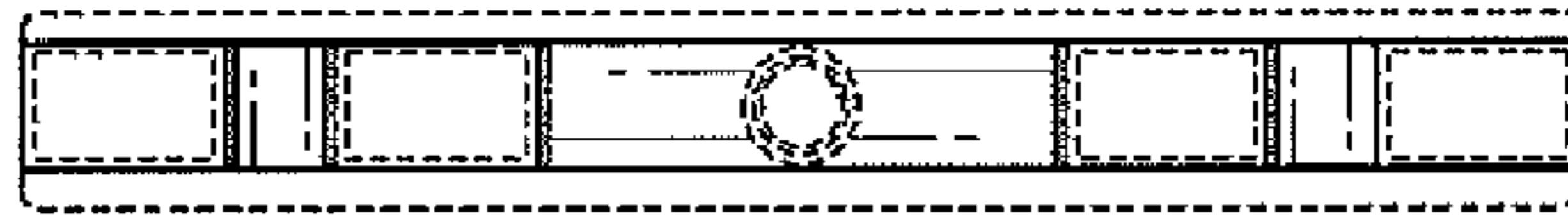


FIG. 5

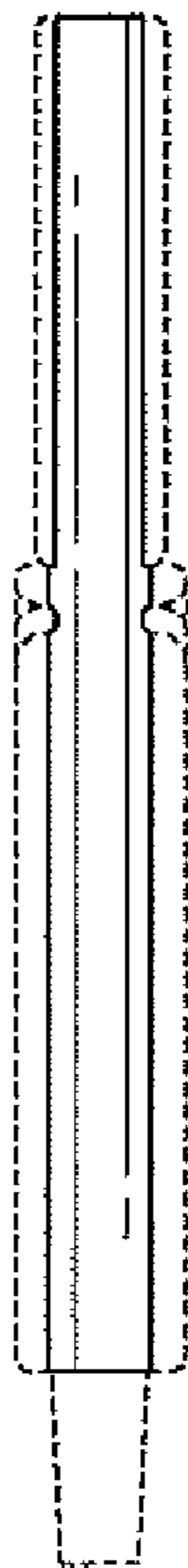


FIG. 6

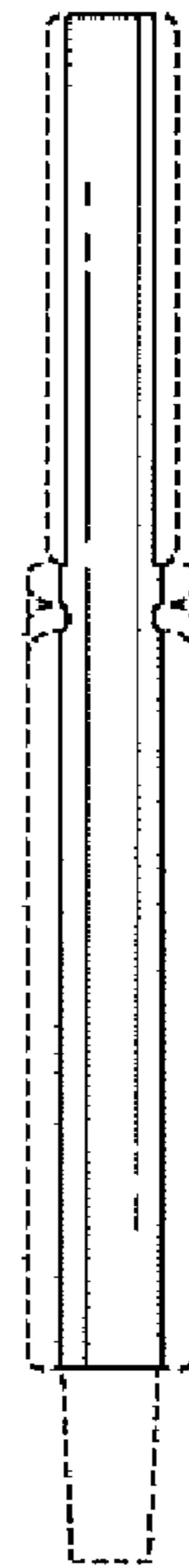


FIG. 7