



US00D621506S

(12) **United States Design Patent**  
**Khen**

(10) **Patent No.:** **US D621,506 S**  
(45) **Date of Patent:** **\*\* Aug. 10, 2010**

(54) **DISPOSABLE HEAD INTERFACING  
ELEMENT FOR USE WITH TREATMENT  
DEVICES**

D581,050 S 11/2008 Cottier  
D595,407 S \* 6/2009 Braynin et al. .... D24/133

(75) Inventor: **Roe Khen**, Haifa (IL)

(Continued)

(73) Assignee: **Lumenis, Ltd.**, Yokneam (IL)

**OTHER PUBLICATIONS**

(\*\*) Term: **14 Years**

International Search Report and the Written Opinion of the International Searching Authority, or the Declaration, for PCT/US2007/023091, mailed on May 12, 2008.

(21) Appl. No.: **29/321,929**

*Primary Examiner*—Ian Simmons

(22) Filed: **Jul. 25, 2008**

*Assistant Examiner*—Charles D Hanson

(51) **LOC (9) Cl.** ..... **24-01**

(52) **U.S. Cl.** ..... **D24/144; D24/107; D24/133**

(58) **Field of Classification Search** ..... D24/133,  
D24/135, 176, 152, 156, 140, 141, 143, 144,  
D24/150, 107; 600/206, 214, 164, 157, 156,  
600/200, 113, 135, 138, 121, 131, 153; 606/9,  
606/191, 196, 197, 198; 607/88

(74) *Attorney, Agent, or Firm*—Mintz Levin Cohn Ferris  
Glovsky and Popeo, P.C.

See application file for complete search history.

(57) **CLAIM**

I claim the ornamental design for a disposable head interfacing element for use with treatment devices, as shown and described.

(56) **References Cited**

**DESCRIPTION**

**U.S. PATENT DOCUMENTS**

5,100,417	A	3/1992	Cerier et al.	
D333,702	S *	3/1993	Hufman	D24/135
6,217,572	B1 *	4/2001	Tobinick	606/9
D443,059	S	5/2001	Endo	
D453,829	S	2/2002	McMahon et al.	
D462,443	S *	9/2002	Webb	D24/150
6,454,763	B1	9/2002	Motter et al.	
6,458,094	B1	10/2002	McMahon et al.	
6,544,255	B2 *	4/2003	Stewart	606/9
6,579,283	B1 *	6/2003	Tobinick	606/9
6,758,845	B1 *	7/2004	Weckwerth et al.	606/9
6,887,260	B1 *	5/2005	McDaniel	607/88
6,942,658	B1	9/2005	Rizoiu et al.	
D513,810	S *	1/2006	Ho	D26/37
7,022,121	B2	4/2006	Stern et al.	
7,232,450	B2	6/2007	Gorans et al.	
7,270,657	B2	9/2007	Rizoiu et al.	
7,291,140	B2 *	11/2007	MacFarland et al.	606/9
7,384,419	B2	6/2008	Jones et al.	
D574,274	S *	8/2008	D'Olimpia	D10/69

FIG. 1 is a bottom perspective view of a disposable head interfacing element for use with treatment devices;

FIG. 2 is a top perspective view of a disposable head interfacing element for use with treatment devices;

FIG. 3 is a front view of a disposable head interfacing element for use with treatment devices;

FIG. 4 is a left side view of a disposable head interfacing element for use with treatment devices;

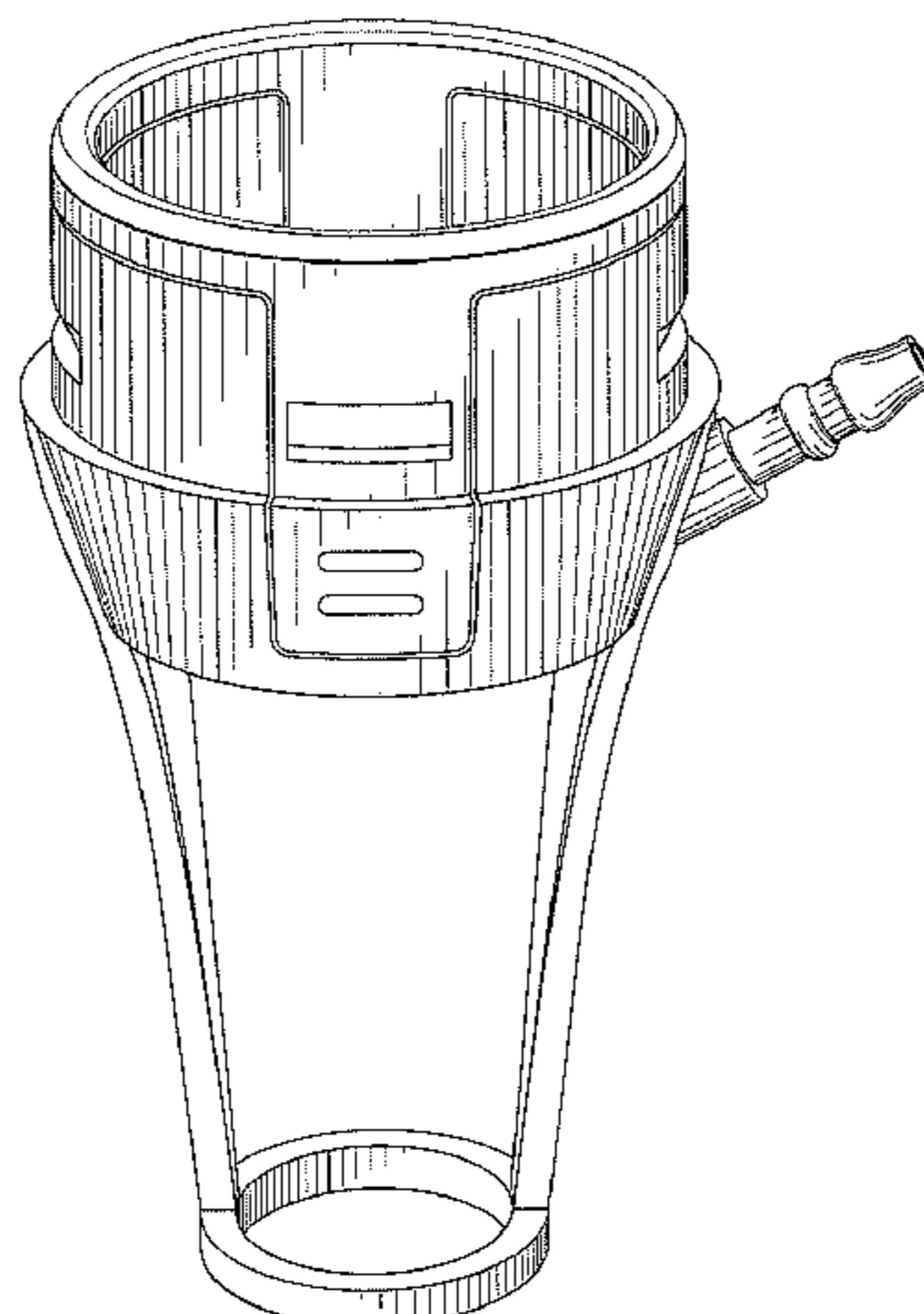
FIG. 5 is a right side view of a disposable head interfacing element for use with treatment devices;

FIG. 6 is a top view of a disposable head interfacing element for use with treatment devices; and,

FIG. 7 is bottom view of a disposable head interfacing element for use with treatment devices.

Any broken line illustration in the drawings are not part of the design sought to be patented.

**1 Claim, 6 Drawing Sheets**



# US D621,506 S

Page 2

---

## U.S. PATENT DOCUMENTS

D608,881 S 1/2010 Ramstad et al.  
2002/0081080 A1 6/2002 Balle-Petersen et al.  
2002/0151887 A1 10/2002 Stern et al.

2006/0095096 A1 5/2006 DeBenedictis et al.  
2008/0119830 A1 5/2008 Ramstad et al.

\* cited by examiner

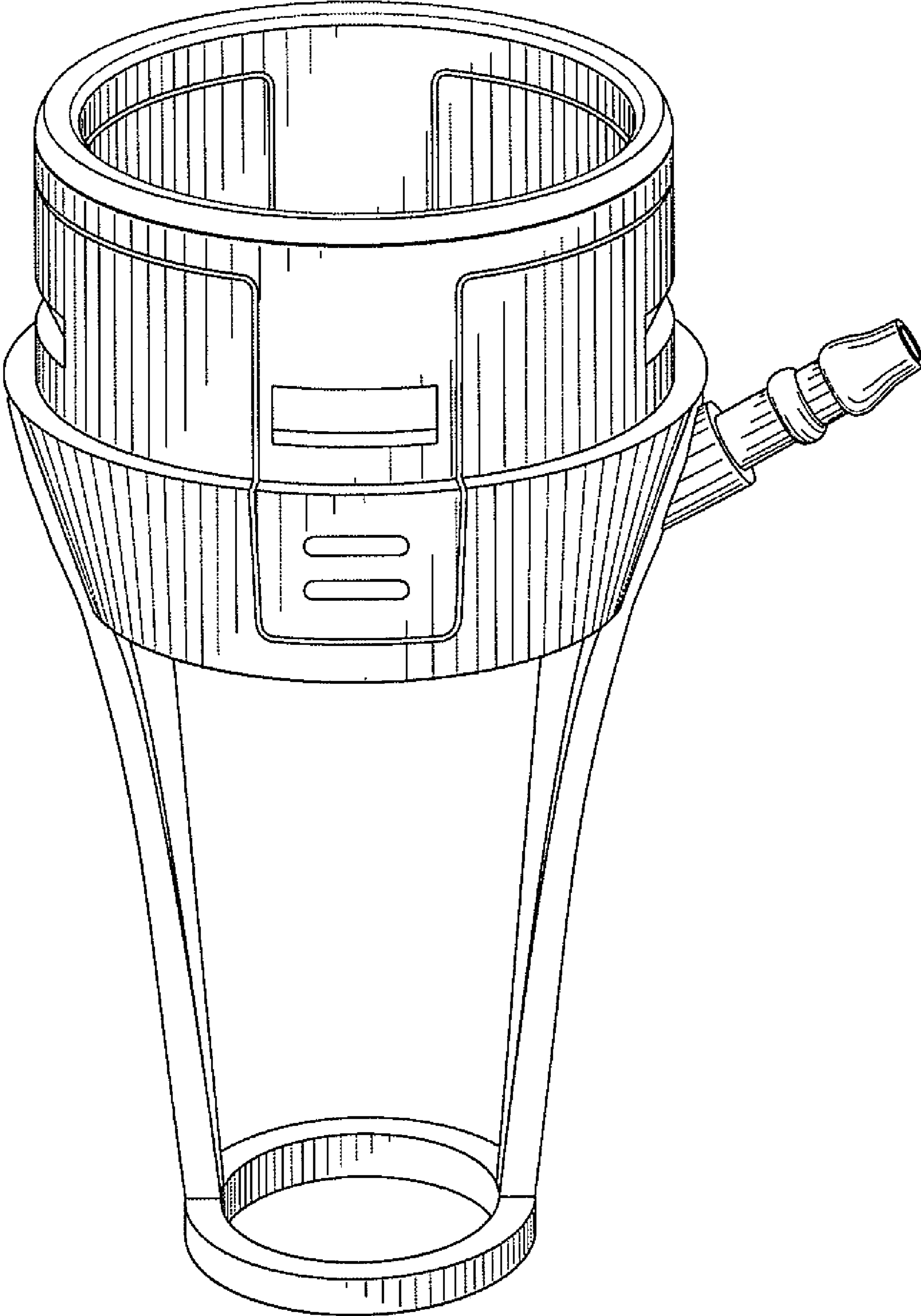


Fig. 1

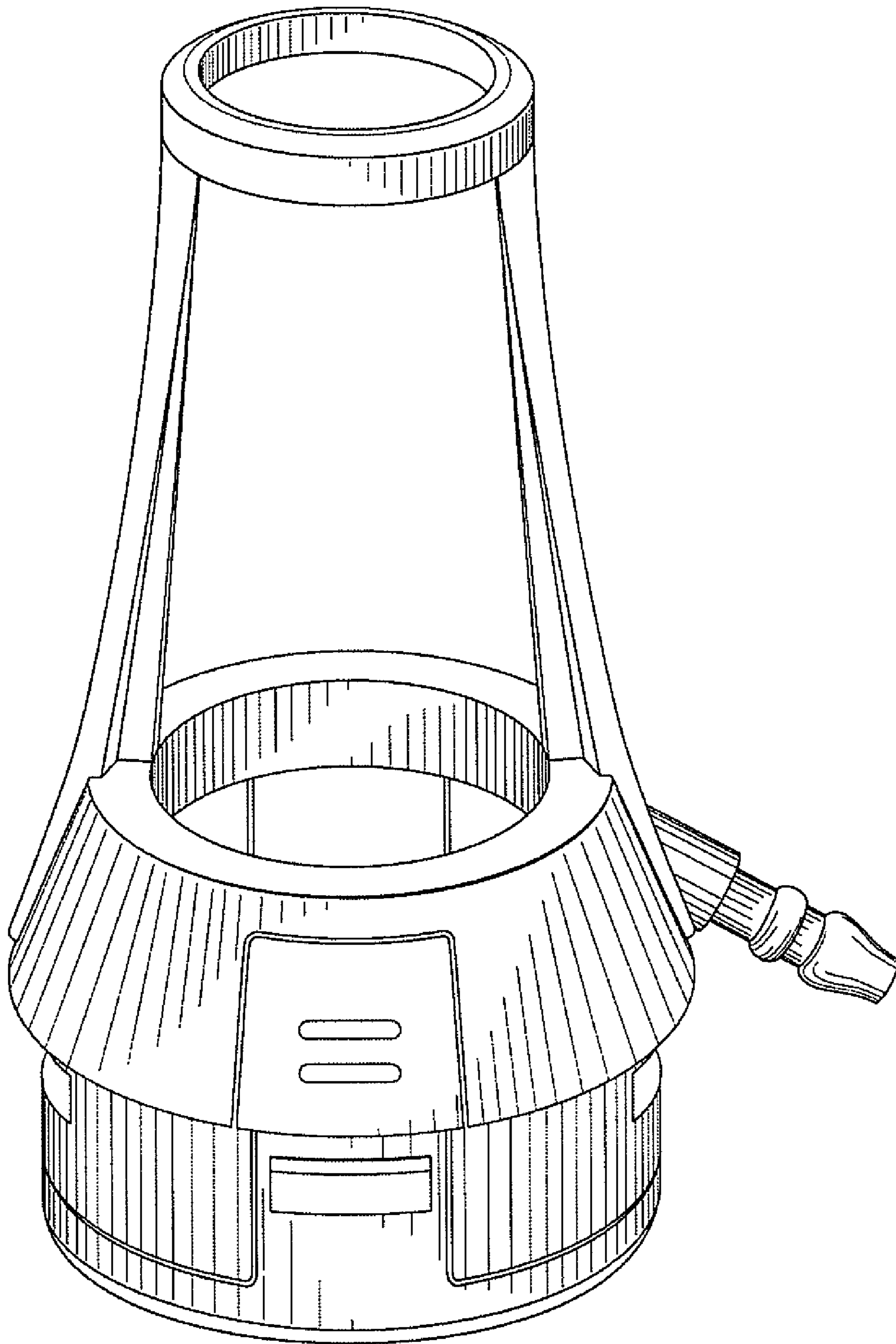


Fig. 2

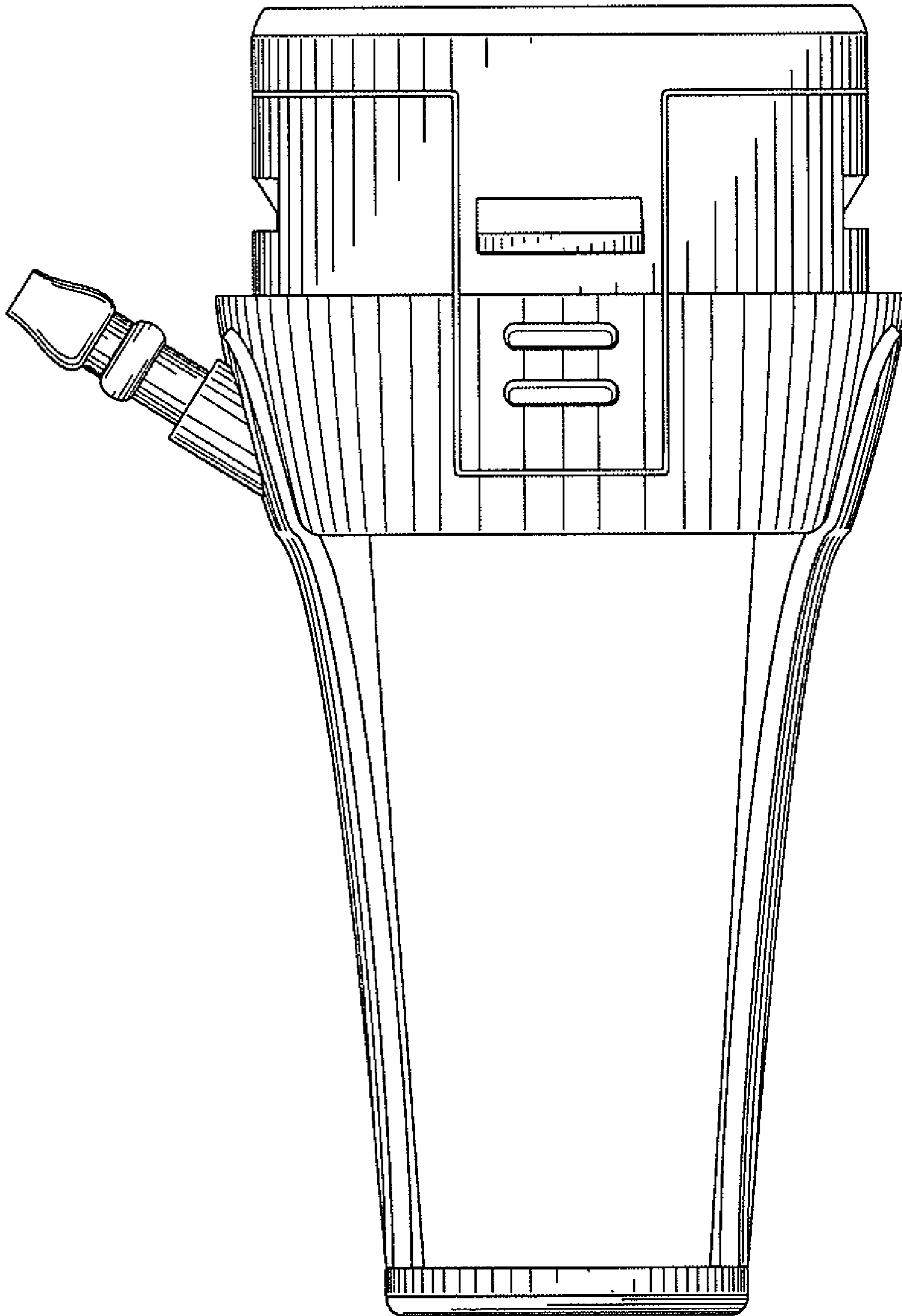


Fig. 3

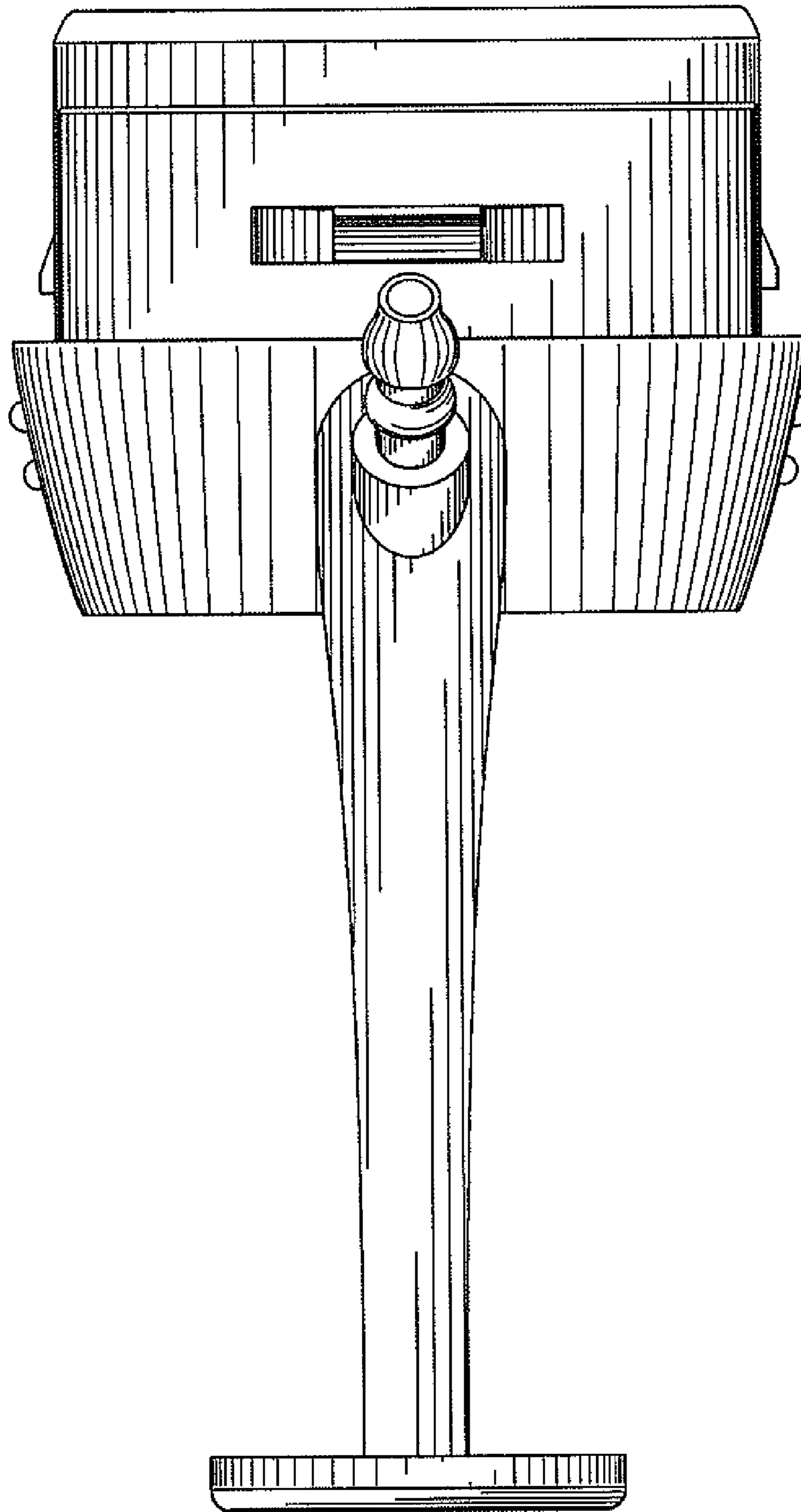


Fig. 4

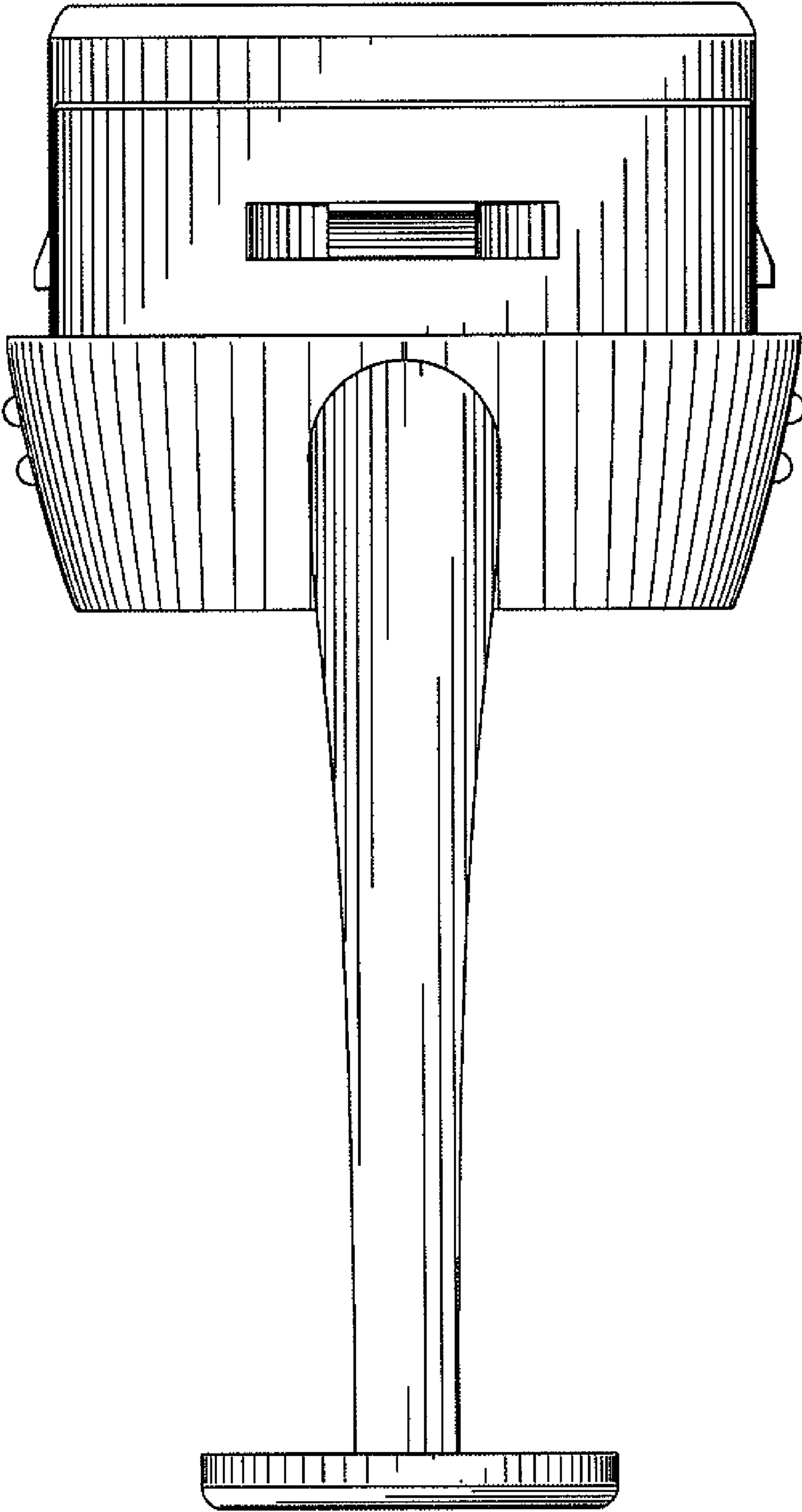


Fig. 5

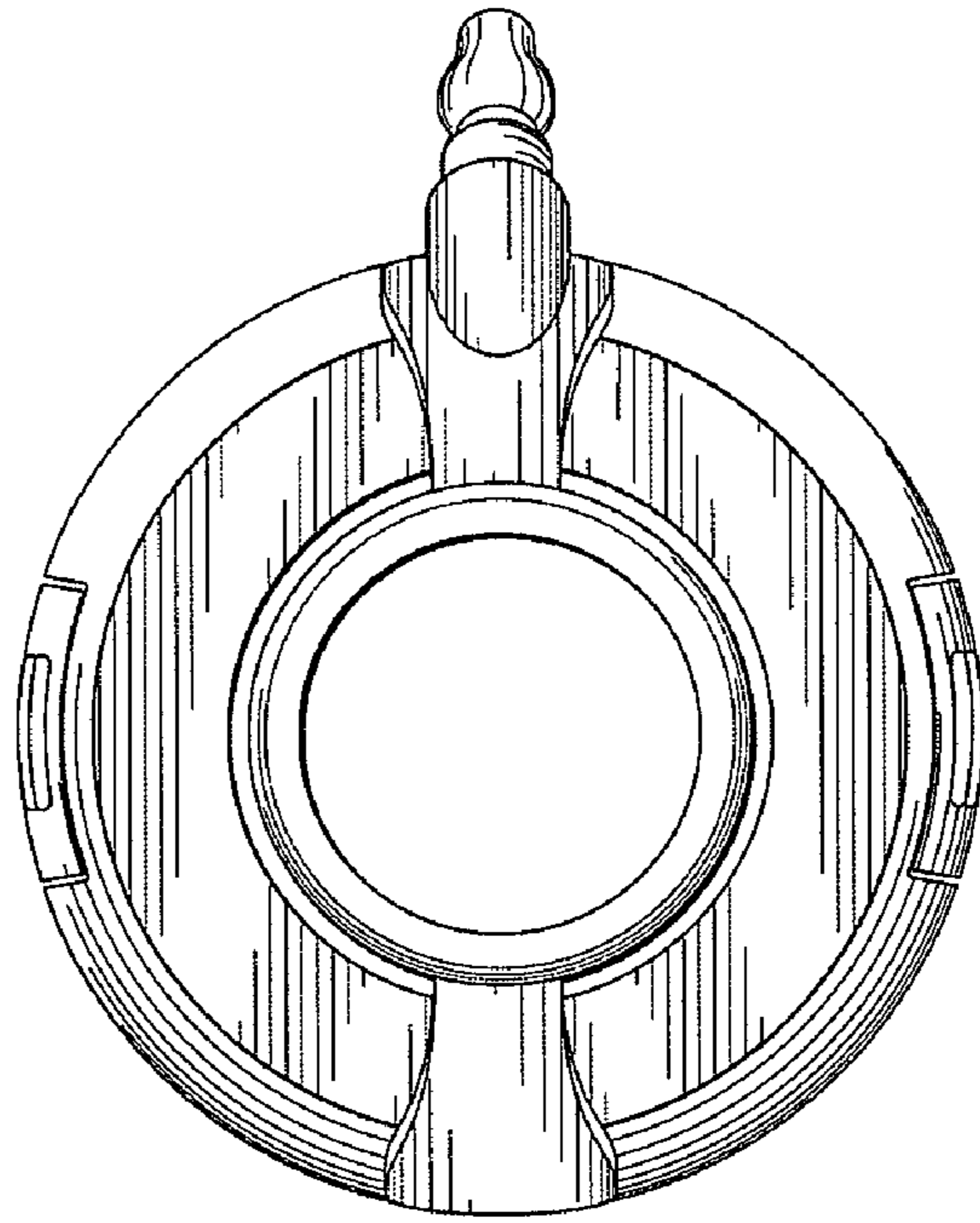


Fig. 6

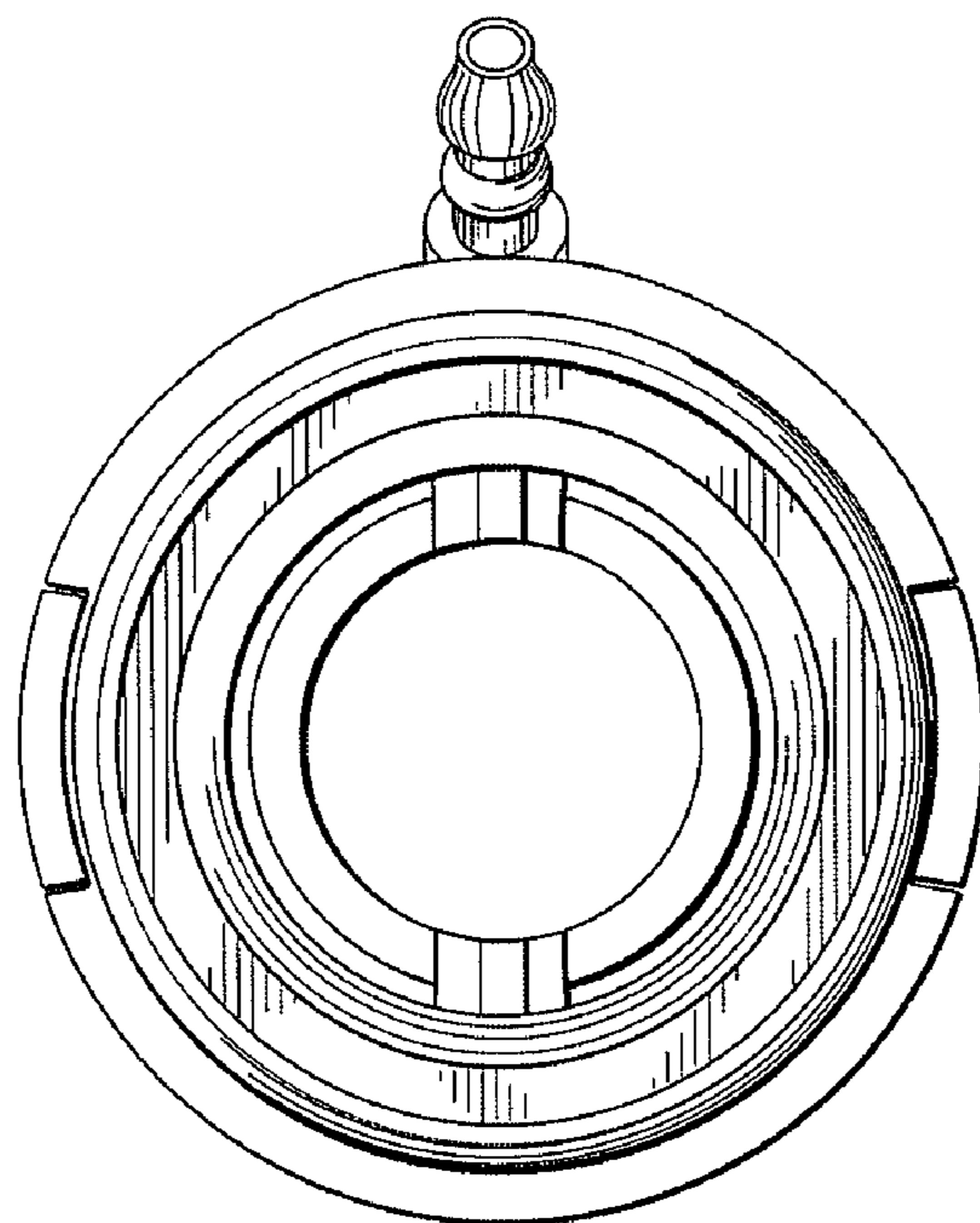


Fig. 7