



US00D621504S

(12) **United States Design Patent**
Martinez

(10) **Patent No.:** **US D621,504 S**

(45) **Date of Patent:** **** Aug. 10, 2010**

(54) **SANITARY CAP FOR A STETHOSCOPE**

(75) Inventor: **Richard J. Martinez**, Algonquin, IL
(US)

(73) Assignee: **Stethocap, Inc.**, Rolling Meadows, IL
(US)

(**) Term: **14 Years**

(21) Appl. No.: **29/320,746**

(22) Filed: **Jul. 2, 2008**

(51) **LOC (9) Cl.** **24-02**

(52) **U.S. Cl.** **D24/134**

(58) **Field of Classification Search** D24/134;
181/131, 132, 129, 135
See application file for complete search history.

(56) **References Cited**

U.S. PATENT DOCUMENTS

D197,041	S *	12/1963	Bodenger	D24/134
D208,125	S *	7/1967	Cefaly	D24/134
3,455,293	A *	7/1969	Bethune	600/513
D230,212	S *	1/1974	Hart	D24/134
D269,295	S *	6/1983	Bloom	D24/134
4,461,368	A *	7/1984	Plourde	181/131
D292,363	S *	10/1987	Oh	D7/360
5,097,753	A *	3/1992	Naft	99/341
D349,959	S *	8/1994	Troiani	D24/134
D353,196	S *	12/1994	Savage et al.	D24/134
5,587,561	A *	12/1996	Budayr et al.	181/131
D391,440	S *	3/1998	Cousins	D7/360
D394,314	S *	5/1998	Moore et al.	D24/134
6,019,187	A *	2/2000	Appavu	181/131
D462,442	S *	9/2002	Webb	D24/150
6,523,639	B1 *	2/2003	Shieh	181/131

D505,491	S *	5/2005	Nessel	D24/134
D547,448	S *	7/2007	Jones et al.	D24/134
7,424,929	B1 *	9/2008	Martinez	181/131
D613,403	S *	4/2010	Poll et al.	D24/138

* cited by examiner

Primary Examiner—Charles A Rademaker

Assistant Examiner—Carissa C Fitts

(74) *Attorney, Agent, or Firm*—Mathew R. P. Perrone, Jr.;
Brie A. Crawford

(57) **CLAIM**

The ornamental design for a sanitary cap for a stethoscope, as shown and described.

DESCRIPTION

FIG. 1 is a perspective view of a sanitary cap for a stethoscope of my invention in use, with a stethoscope shown in phantom;

FIG. 2 is a front plan view of a sanitary cap for a stethoscope of my invention in use;

FIG. 3 is a rear plan view thereof, based on FIG. 2;

FIG. 4 is a side view thereof, based on FIG. 2;

FIG. 5 is a side view thereof and a reverse view of FIG. 4;

FIG. 6 is a top plan view thereof, based on FIG. 2;

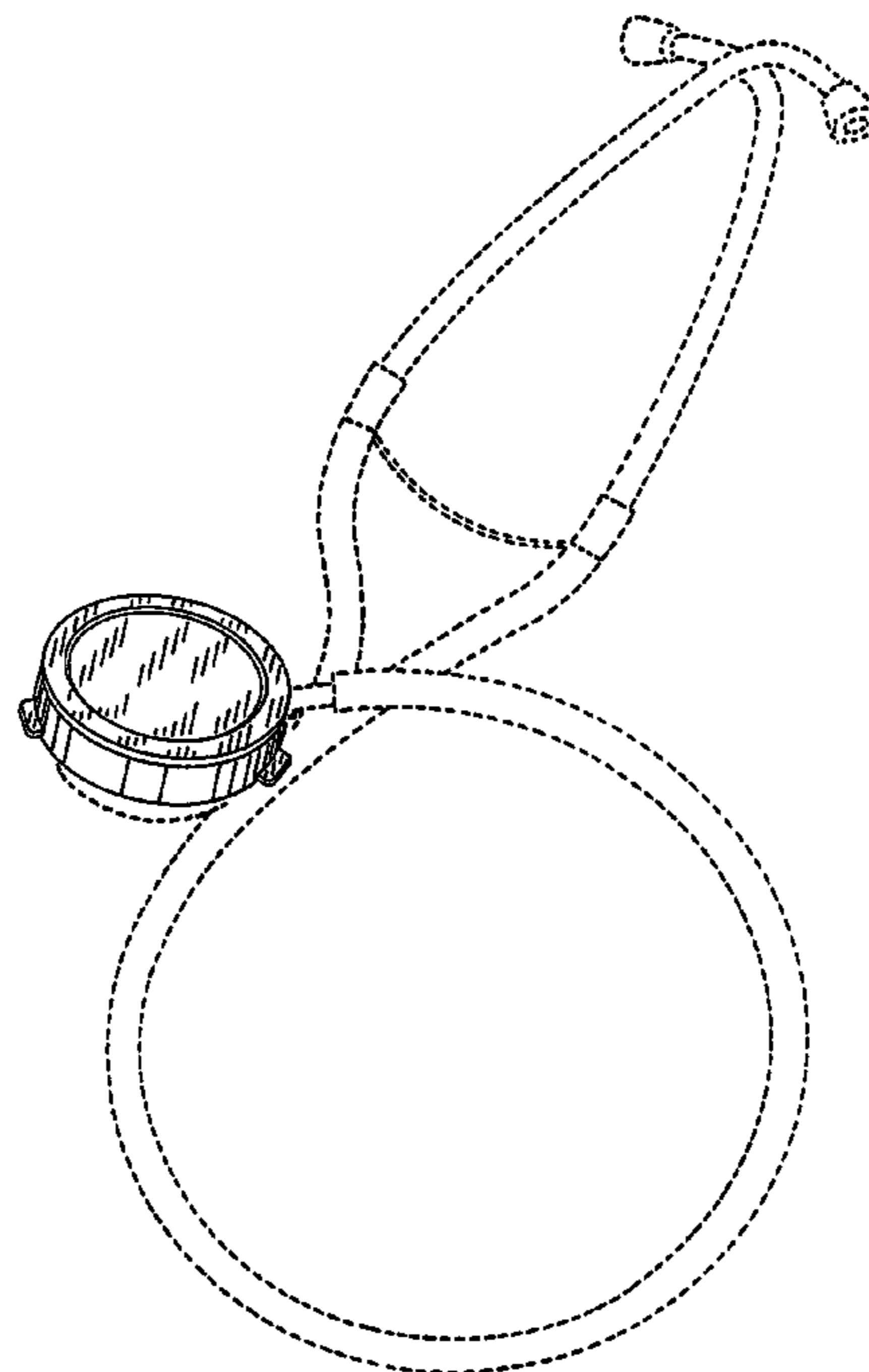
FIG. 7 is a bottom plan view thereof, based on FIG. 3;

FIG. 8 is a top perspective view of a sanitary cap for a stethoscope; and,

FIG. 9 is a bottom perspective view of a sanitary cap for a stethoscope.

The broken line showing is for environmental purposes only and forms no part of the claimed design.

1 Claim, 3 Drawing Sheets



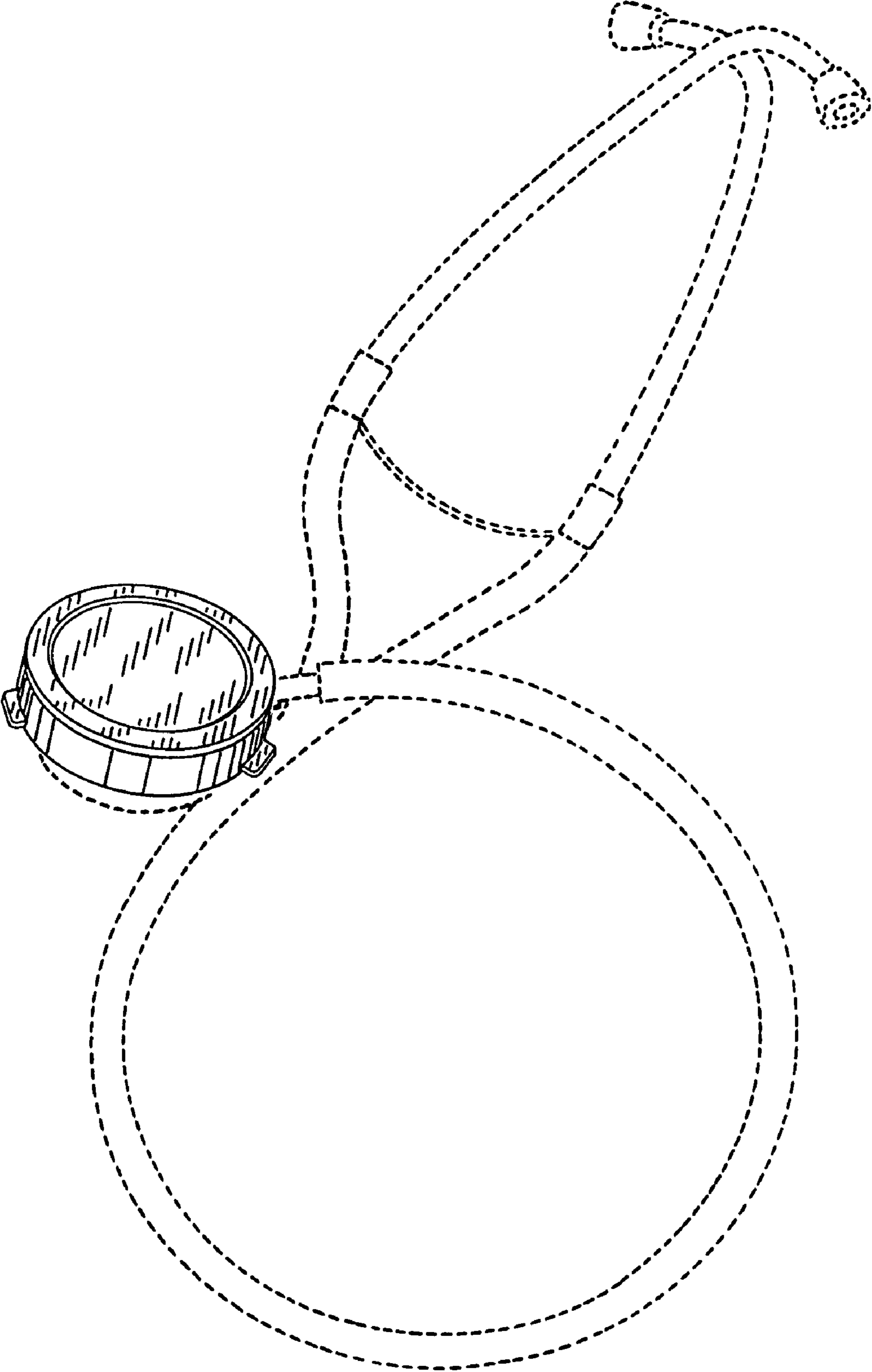


FIG. 1.

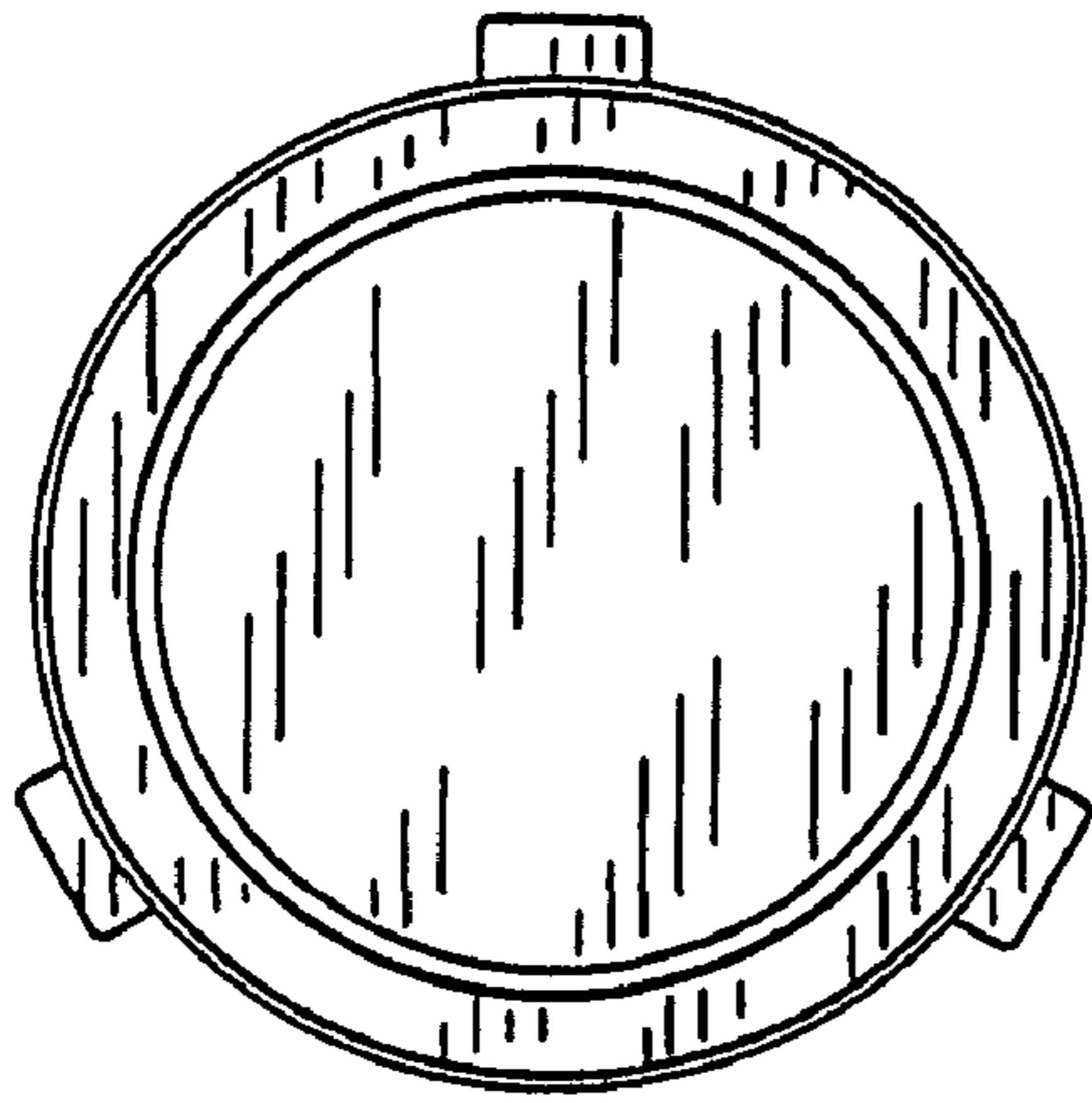


FIG. 2.

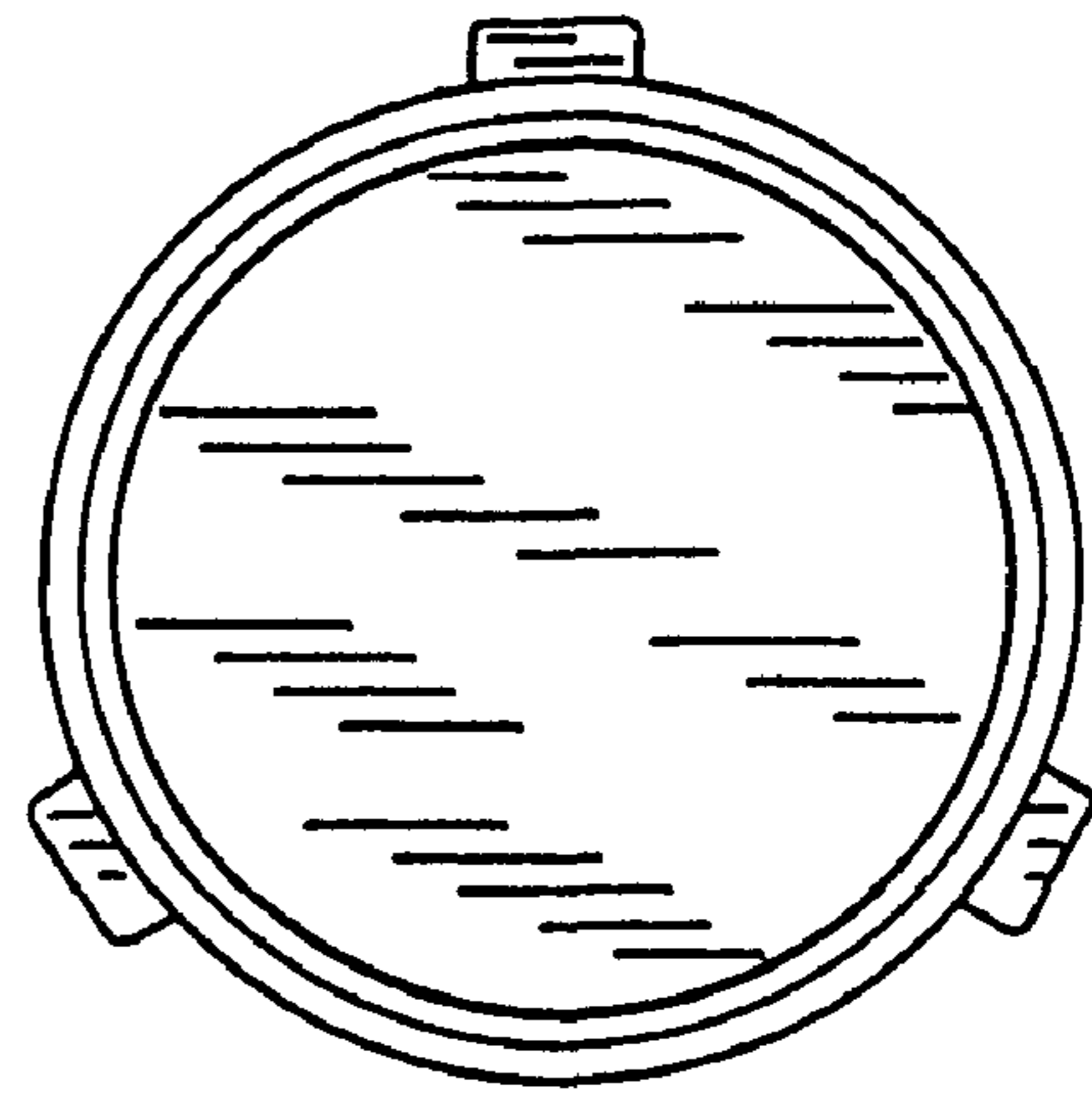


FIG. 3.

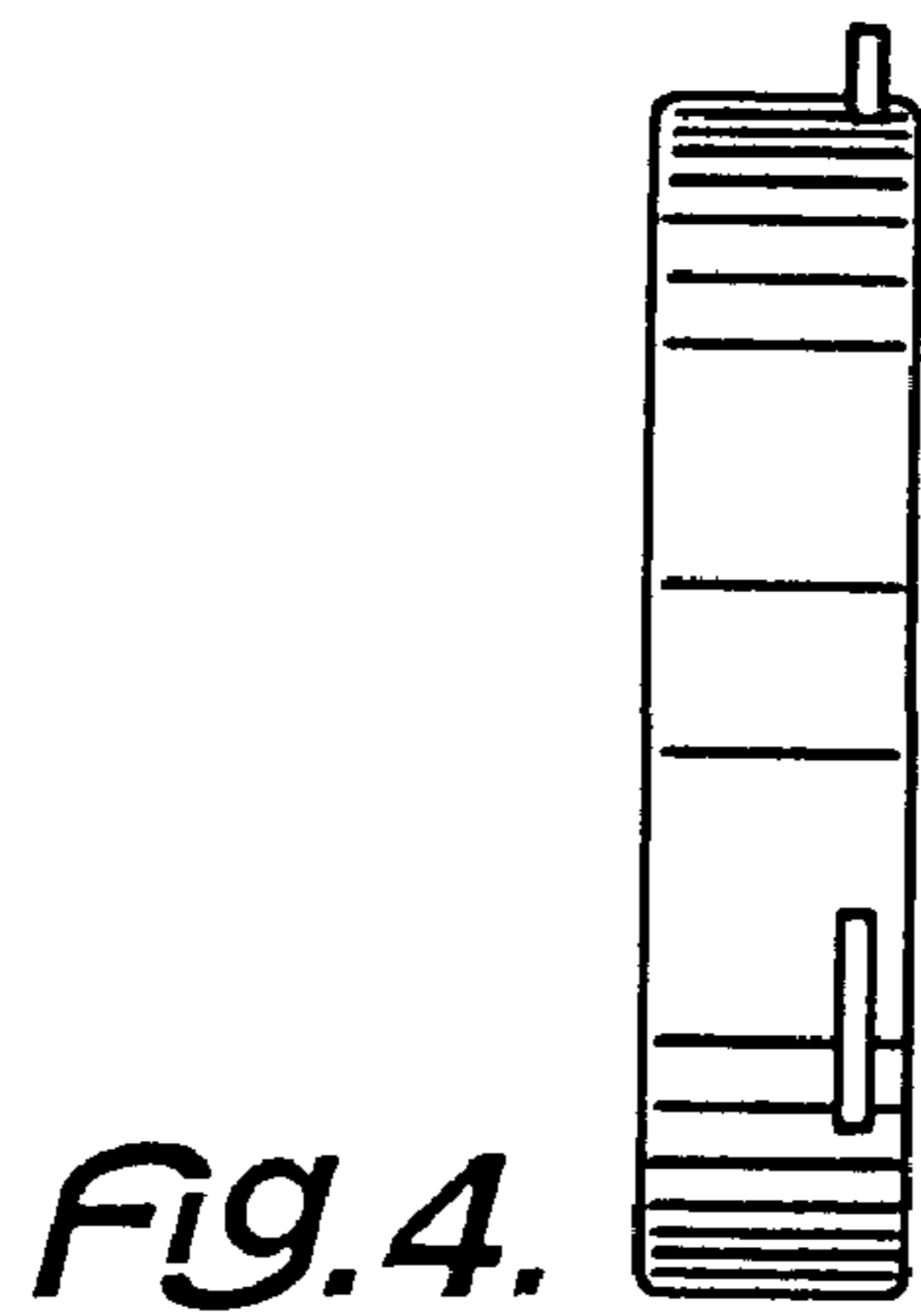


FIG. 4.

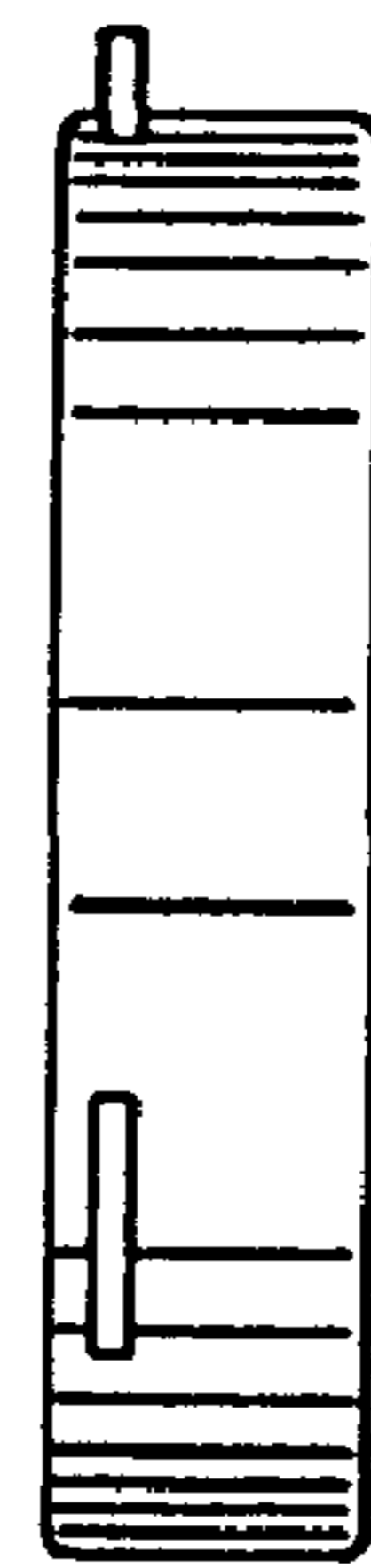


FIG. 5.

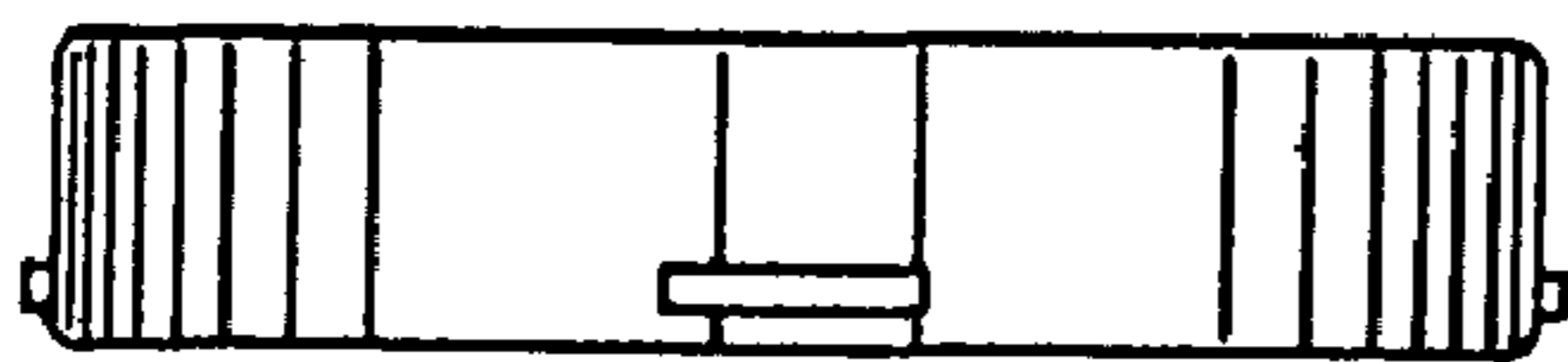


FIG. 6.

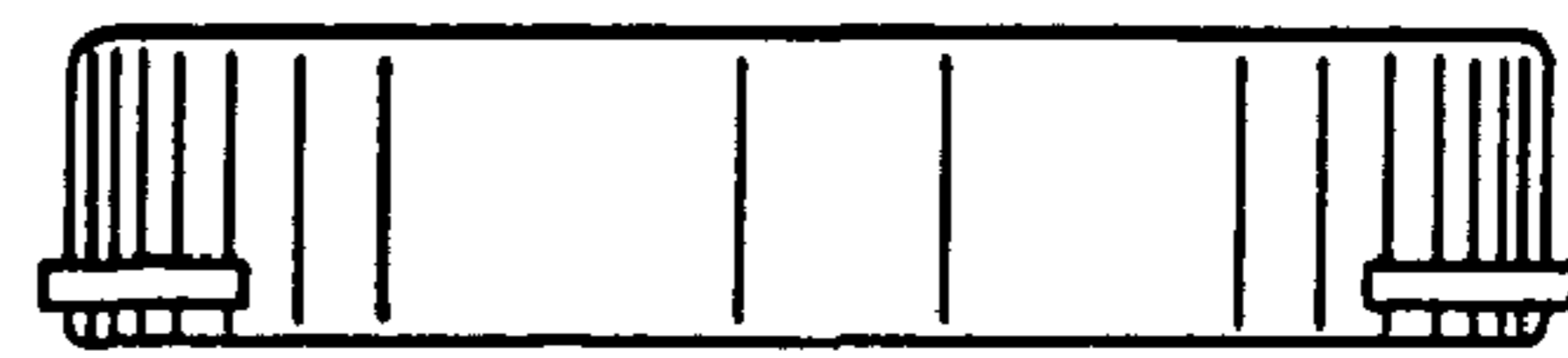


FIG. 7.

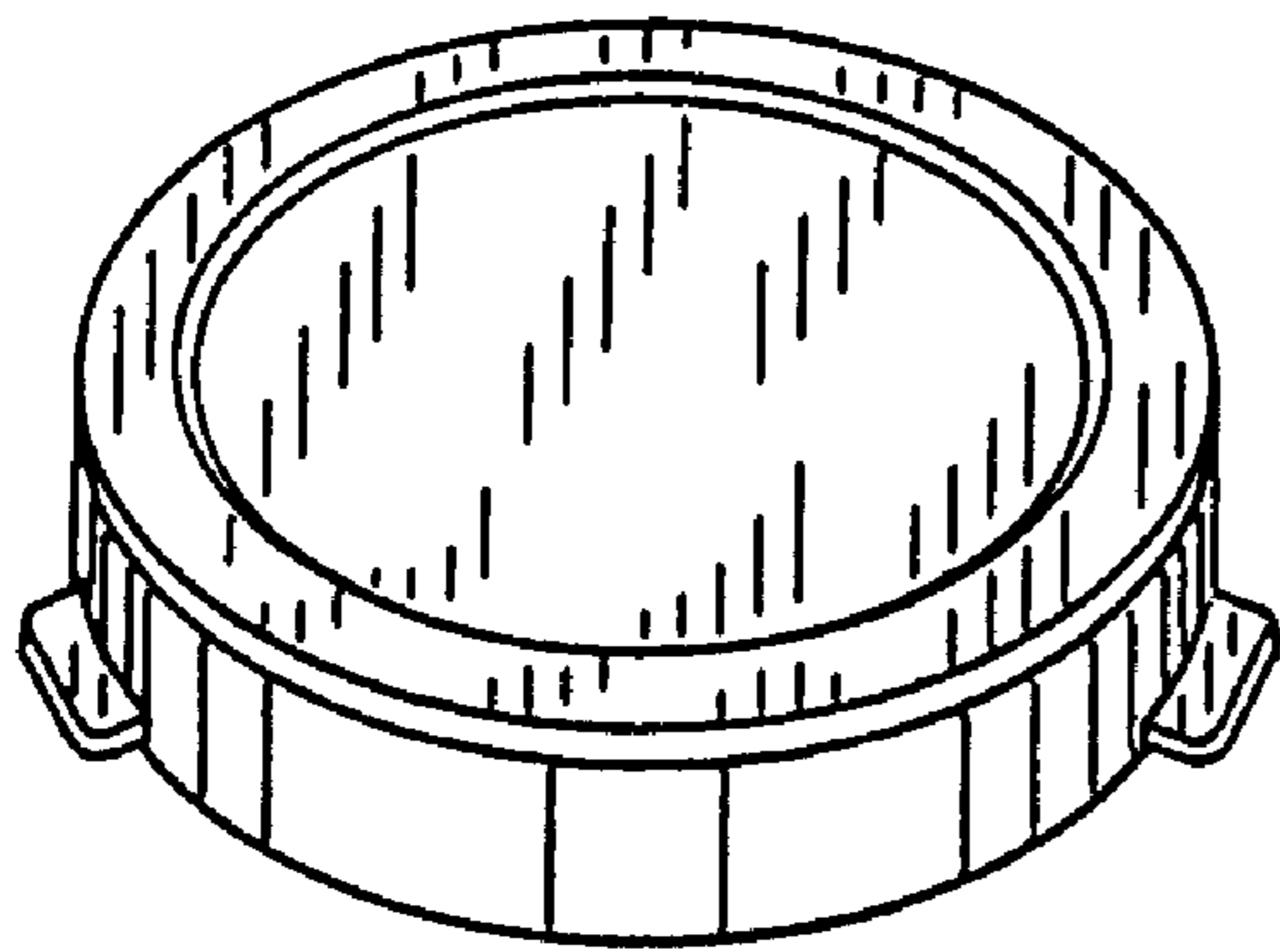


FIG. 8.

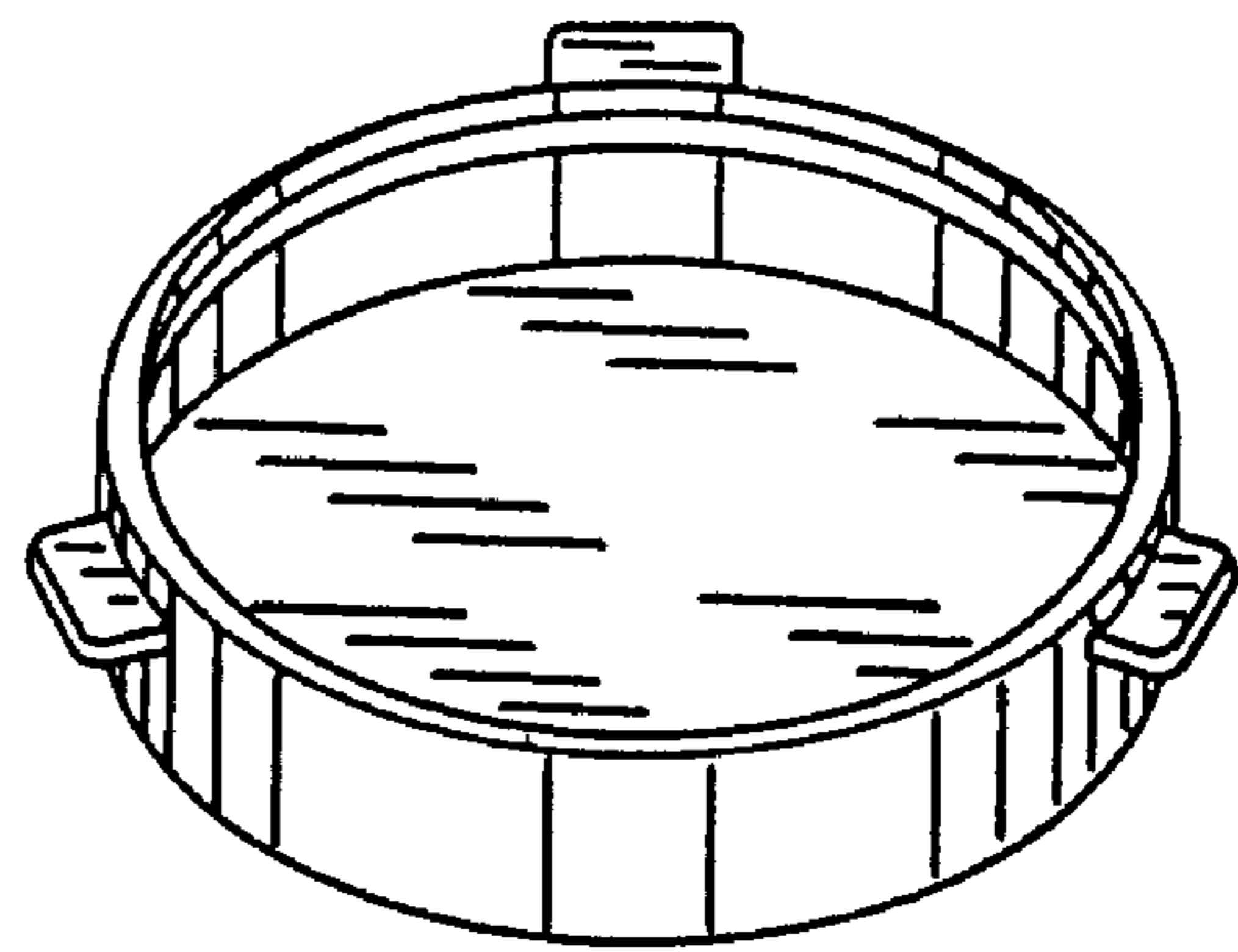


FIG. 9.