



US00D621501S

(12) **United States Design Patent**  
**Coon**

(10) **Patent No.:** **US D621,501 S**  
(45) **Date of Patent:** **\*\* Aug. 10, 2010**

(54) **REUSABLE DIAPER WITH DISPOSABLE LINER**

(76) Inventor: **Christine M. Coon**, 3086 S. 1730 East,  
Salt Lake City, UT (US) 84106

(\*\*) Term: **14 Years**

(21) Appl. No.: **29/355,579**

(22) Filed: **Feb. 10, 2010**

(51) **LOC (9) Cl.** ..... **24-04**

(52) **U.S. Cl.** ..... **D24/126**

(58) **Field of Classification Search** ..... D24/124–126;  
604/358–361, 378, 384, 385.01, 385.02,  
604/386, 364, 394

See application file for complete search history.

(56) **References Cited**

**U.S. PATENT DOCUMENTS**

4,338,938	A	7/1982	Seavitt	
4,753,646	A *	6/1988	Enloe	604/385.29
4,960,477	A *	10/1990	Mesek	156/209
4,981,480	A *	1/1991	Gaudet et al.	604/386
5,037,417	A	8/1991	Ternström et al.	
5,356,402	A	10/1994	Gillies et al.	
D354,132	S *	1/1995	Minor	D24/126
5,725,518	A	3/1998	Coates	
D412,982	S *	8/1999	Wyatt	D24/126

D436,400	S *	1/2001	Kiecker	D24/126
6,579,273	B2	6/2003	Dupuy	
6,782,557	B1	8/2004	Feder	
7,135,013	B2	11/2006	Olson et al.	
D596,287	S *	7/2009	Tan	D24/126
D608,443	S *	1/2010	Thompson	D24/126
D609,805	S *	2/2010	Moravek et al.	D24/126
2003/0181883	A1	9/2003	Olson et al.	

\* cited by examiner

*Primary Examiner*—Holly H Baynham  
*Assistant Examiner*—Michelle E Wilson

(57) **CLAIM**

The ornamental design for a reusable diaper with a disposable liner, as shown and described.

**DESCRIPTION**

FIG. 1 is a perspective view of a reusable diaper with a disposable liner showing my new design;

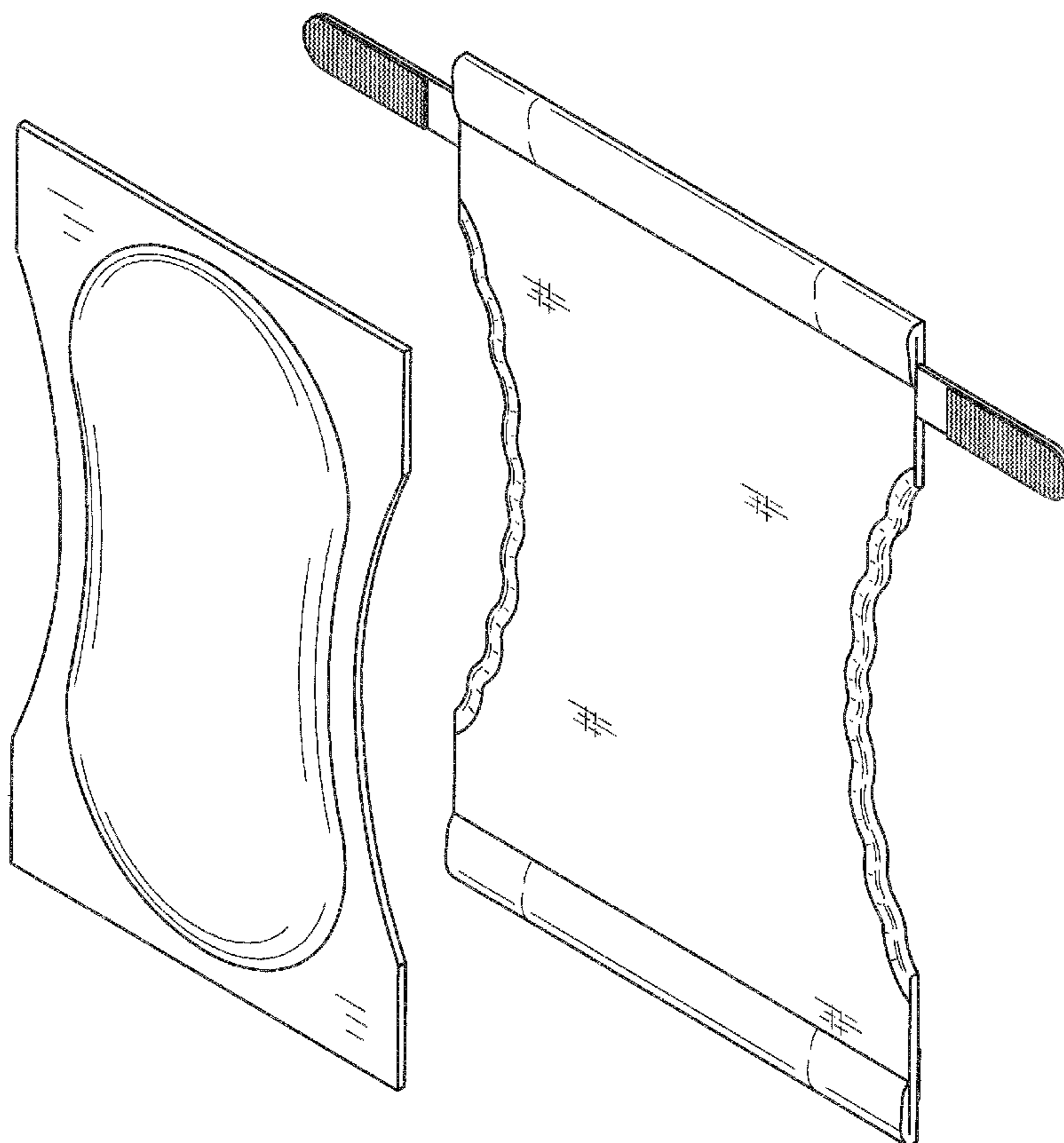
FIG. 2 is a front view thereof;

FIG. 3 is a back view thereof;

FIG. 4 is a side view (opposite side view is mirror image) thereof; and,

FIG. 5 is a top view (bottom view is mirror image) thereof.

**1 Claim, 4 Drawing Sheets**



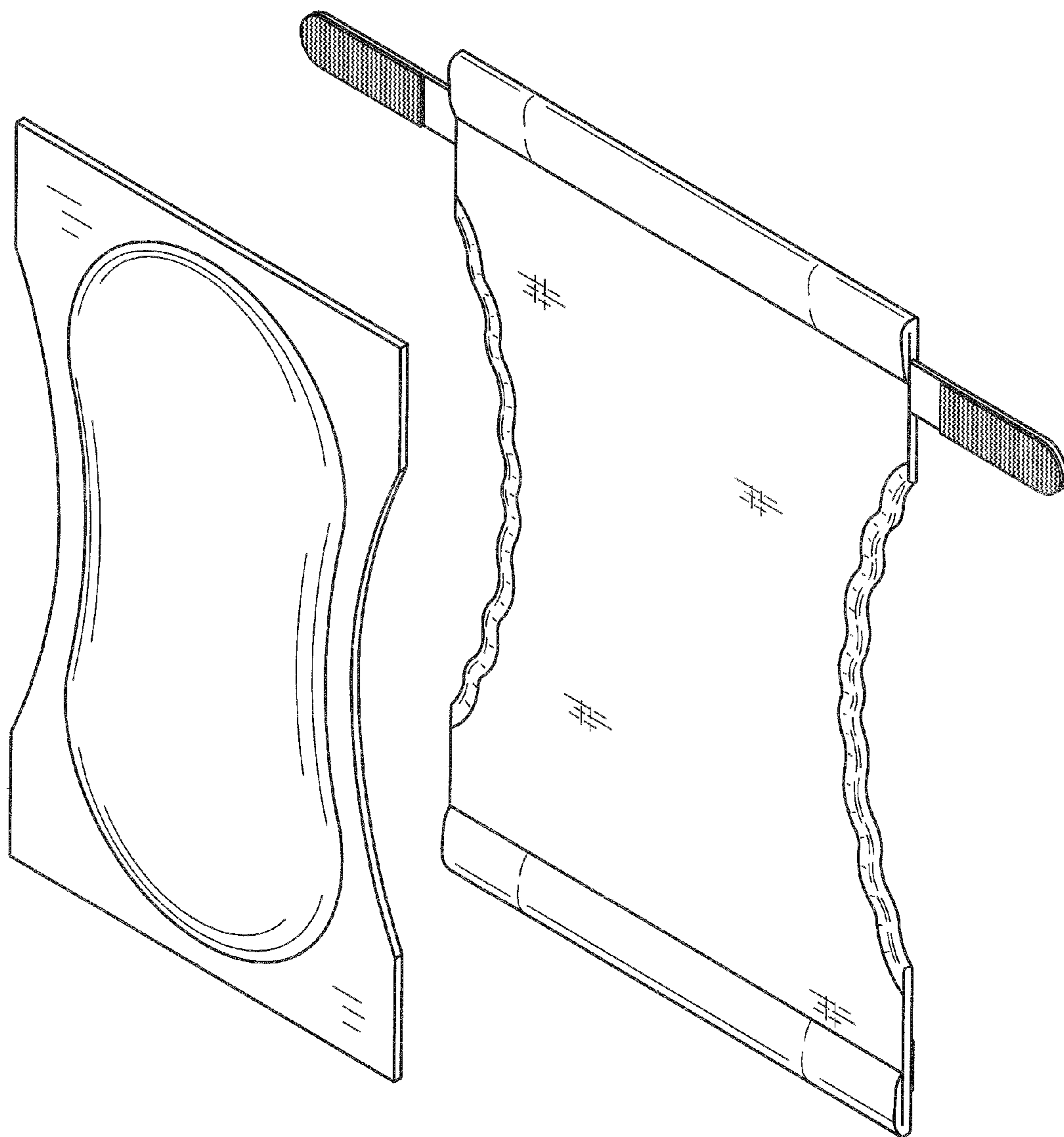


FIG. 1

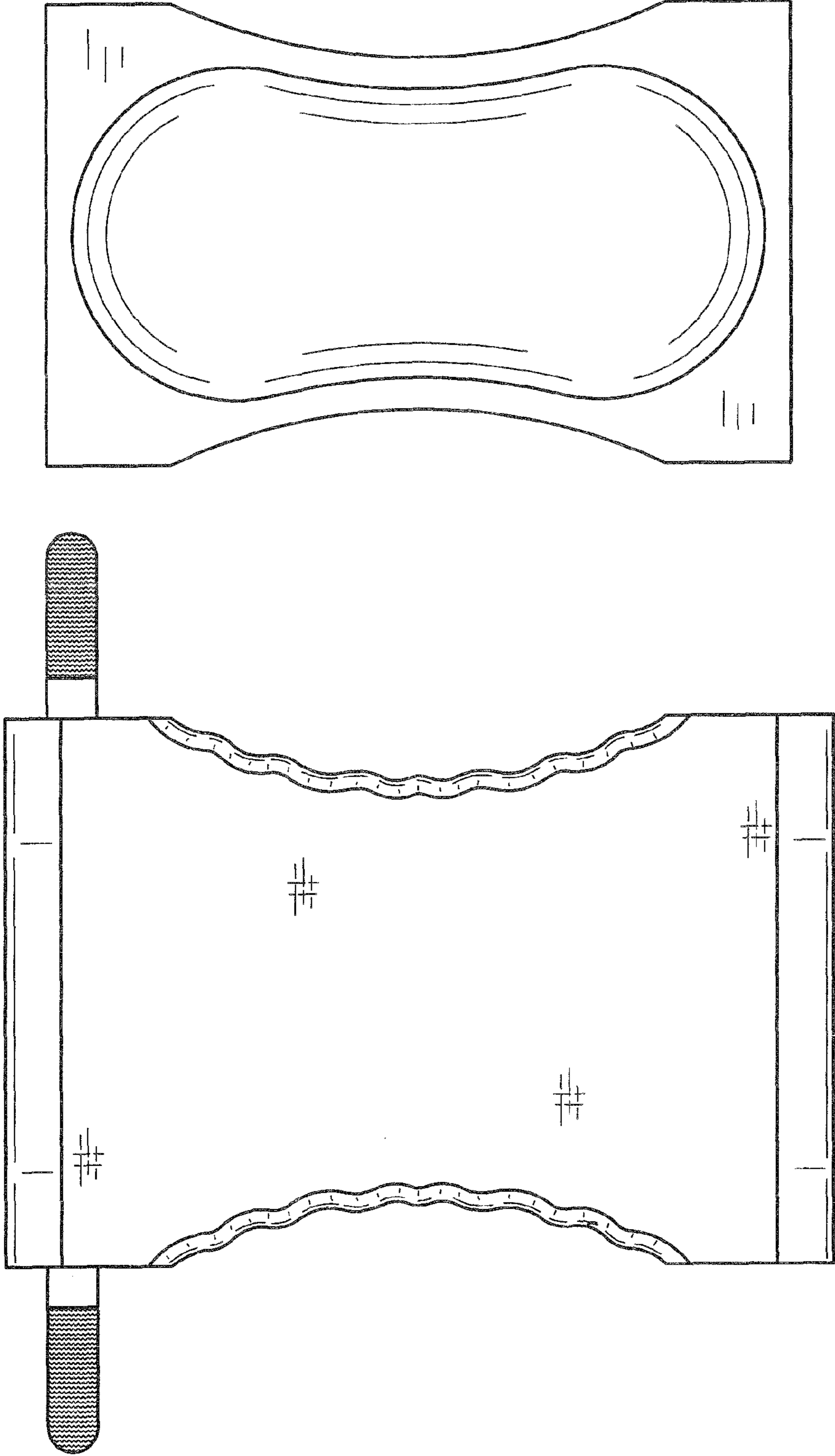


FIG. 2

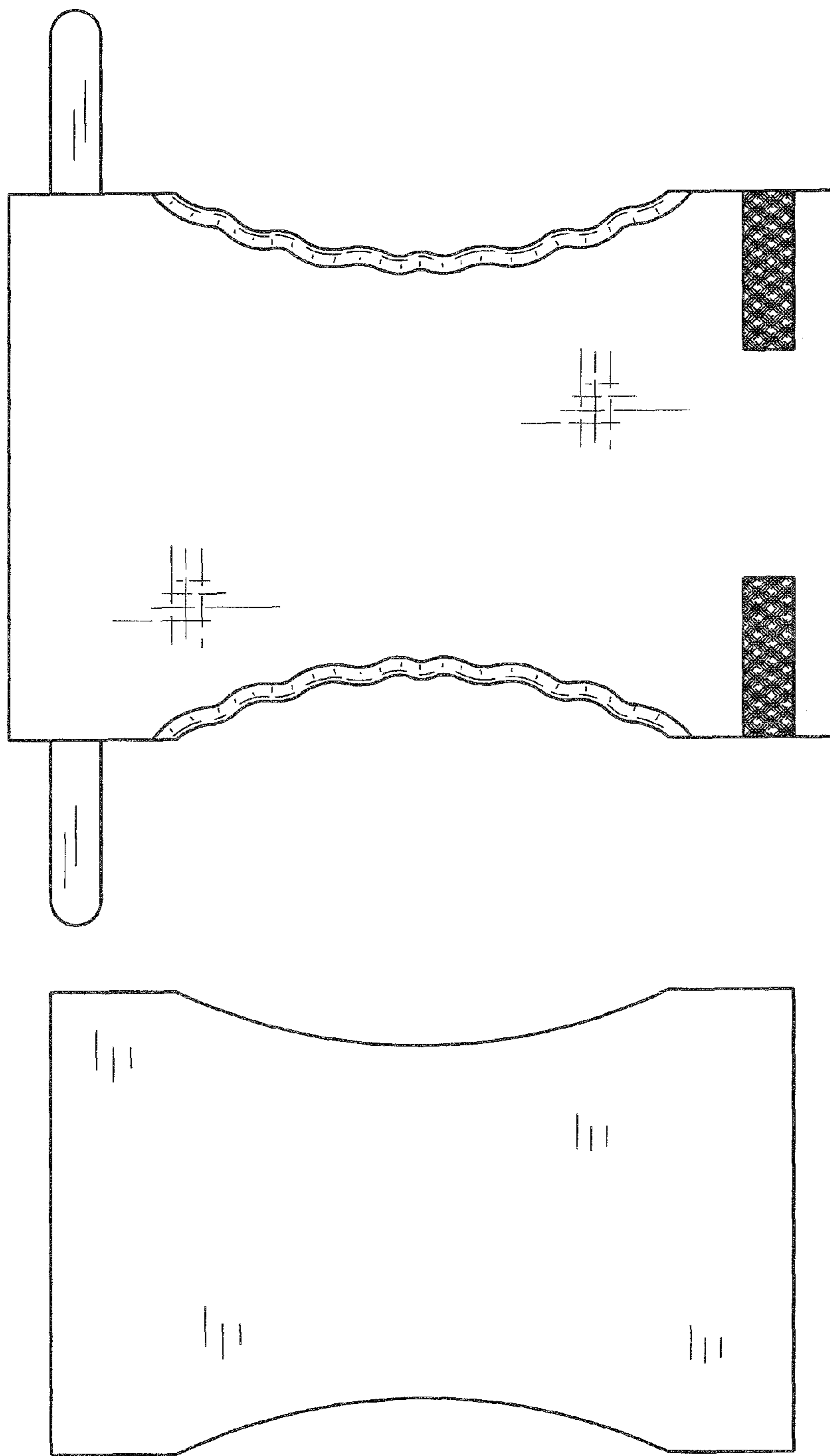


FIG. 3



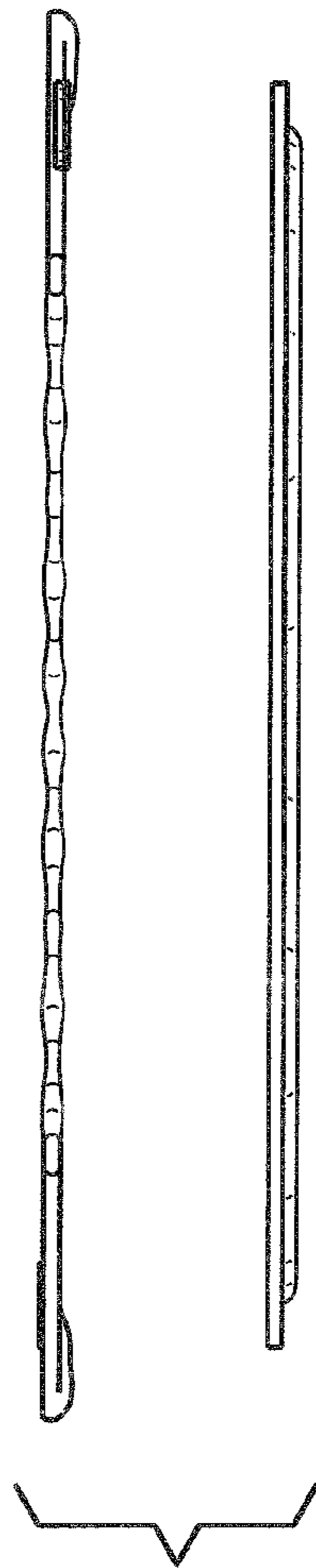


FIG. 4

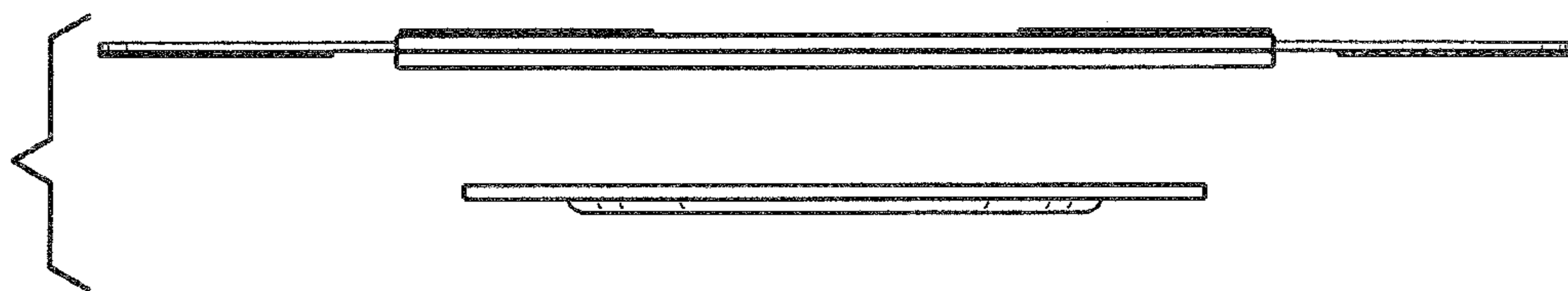


FIG. 5