



US00D621492S

(12) **United States Design Patent**
Tanaka et al.

(10) **Patent No.:** **US D621,492 S**

(45) **Date of Patent:** **** Aug. 10, 2010**

(54) **AIR CONDITIONER**

(75) Inventors: **Yuki Tanaka**, Chiyoda-Ku (JP); **Shinji Yamana**, Chiyoda-Ku (JP)

(73) Assignee: **Mitsubishi Electric Corporation**, Tokyo (JP)

(**) Term: **14 Years**

(21) Appl. No.: **29/352,754**

(22) Filed: **Dec. 24, 2009**

(30) **Foreign Application Priority Data**

Jun. 25, 2009 (JP) 2009-014465

(51) **LOC (9) Cl.** **23-04**

(52) **U.S. Cl.** **D23/351**

(58) **Field of Classification Search** D23/351-354, D23/385, 355, 357, 361; 312/236; 62/259.1, 62/259.4, 262-263, 304; 454/330-331, 349-350
See application file for complete search history.

(56) **References Cited**

U.S. PATENT DOCUMENTS

D380,532 S *	7/1997	Aihara et al.	D23/351
D401,313 S *	11/1998	Murakami et al.	D23/351
D469,173 S *	1/2003	Kawanori et al.	D23/351
D529,594 S *	10/2006	Pruitt	D23/351
D565,712 S *	4/2008	Nagahori et al.	D23/351
D593,664 S *	6/2009	Chouji et al.	D23/351

* cited by examiner

Primary Examiner—Brian N. Vinson
(74) *Attorney, Agent, or Firm*—Sughrue Mion, PLLC

(57) **CLAIM**

The ornamental design for an air conditioner, as shown and described.

DESCRIPTION

FIG. 1 is a bottom, front, and right side perspective view of an air conditioner showing our new design;

FIG. 2 is a bottom plan view thereof;

FIG. 3 is a top plan view thereof;

FIG. 4 is a left side elevational view thereof;

FIG. 5 is a right side elevational view thereof;

FIG. 6 is a front elevational view thereof;

FIG. 7 is a rear elevational view thereof;

FIG. 8 is an enlarged vertical cross-sectional view thereof taken in the direction of line 8—8 in FIG. 2, the broken-line disclosure of internal elements being understood to be part of the article in which the claimed design is embodied, but which forms no part of the claimed design;

FIG. 9 is a bottom, front, and right side perspective view thereof, showing the louvers in an opened position;

FIG. 10 is a right side elevational view thereof, with the louvers in an opened position; and,

FIG. 11 is a right side elevational view thereof, with the fragmentary broken-line disclosure of a ceiling being for illustrative purposes only and forming no part of the claimed design.

1 Claim, 6 Drawing Sheets

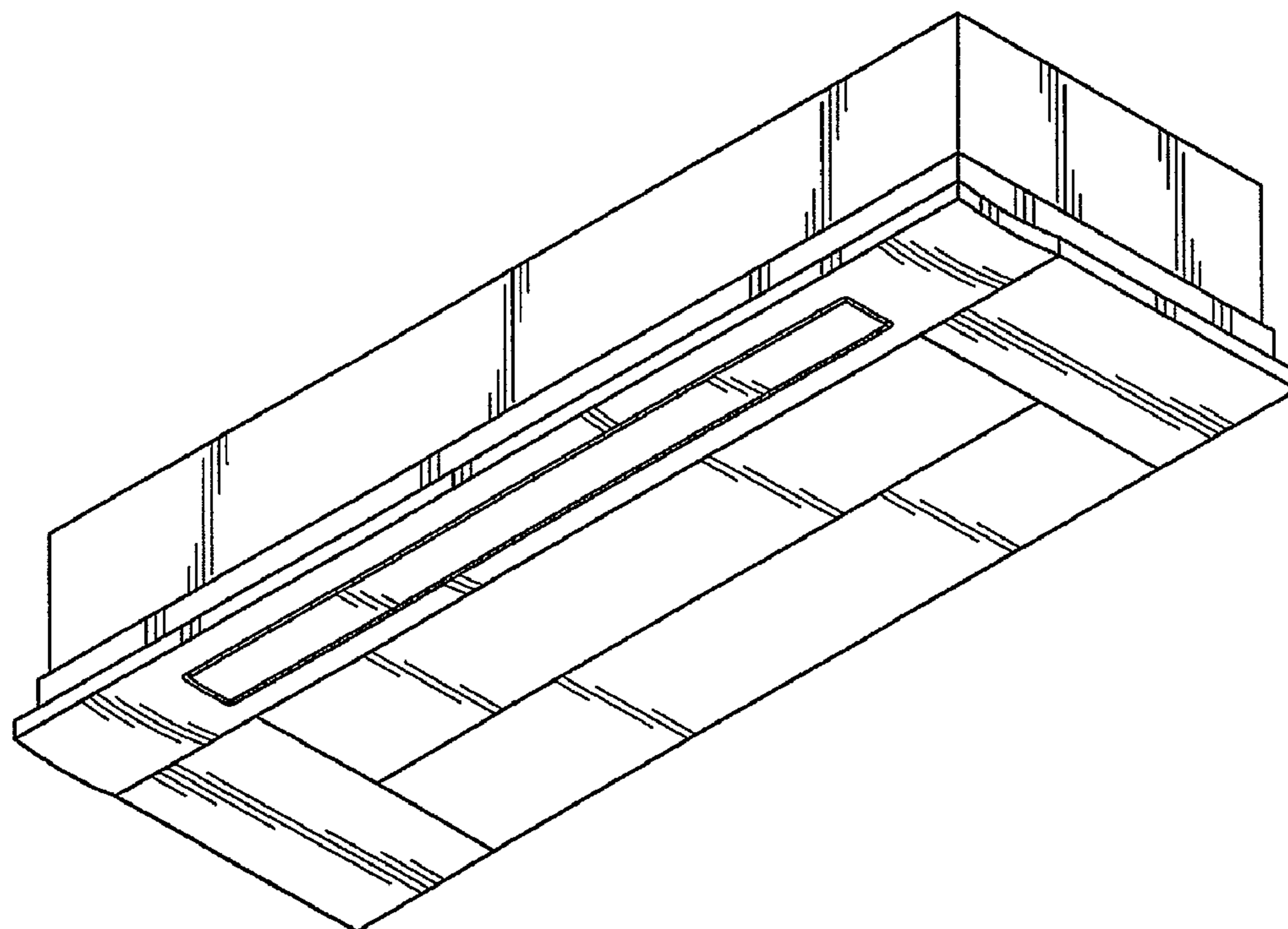


FIG. 1

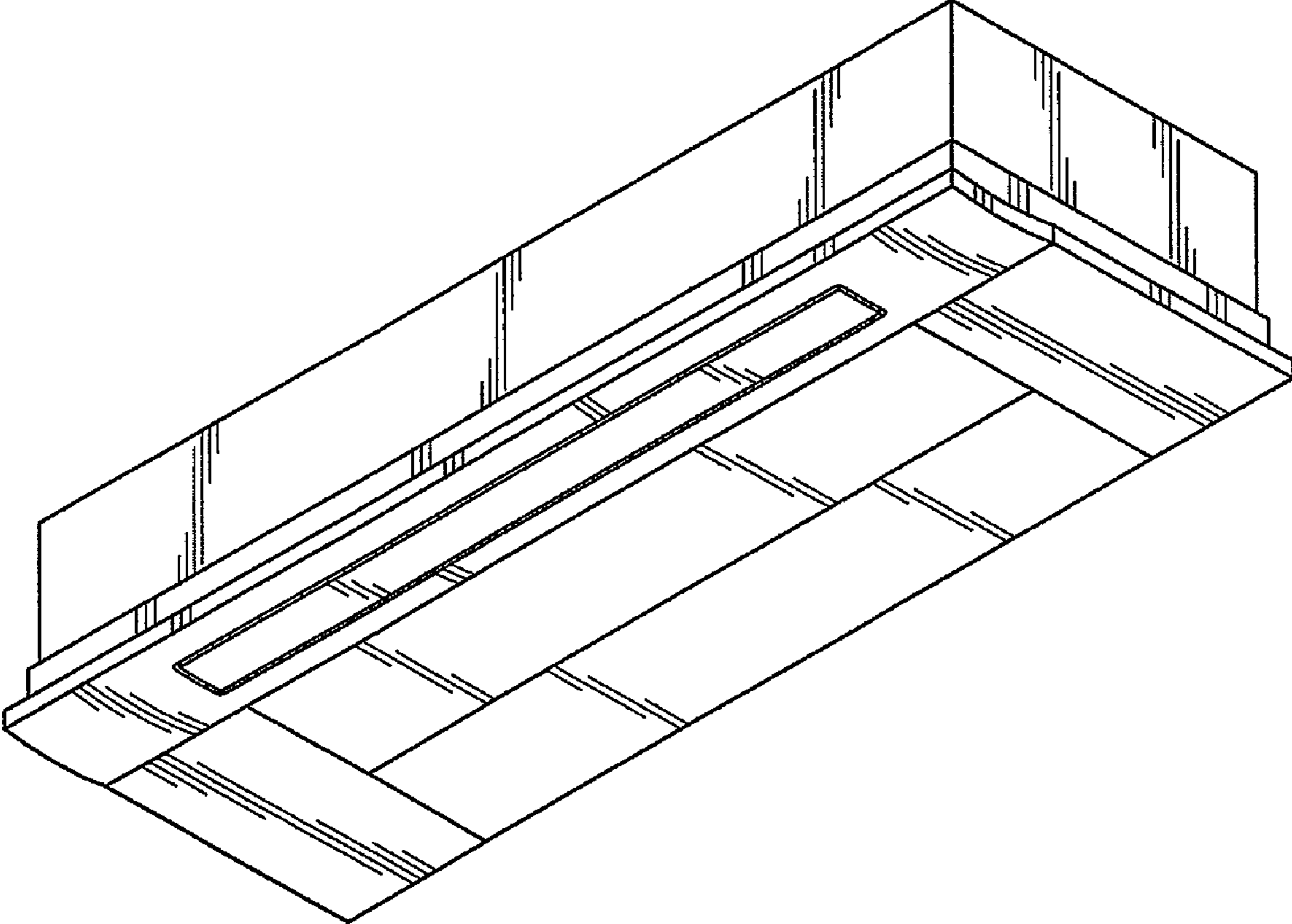


FIG.2

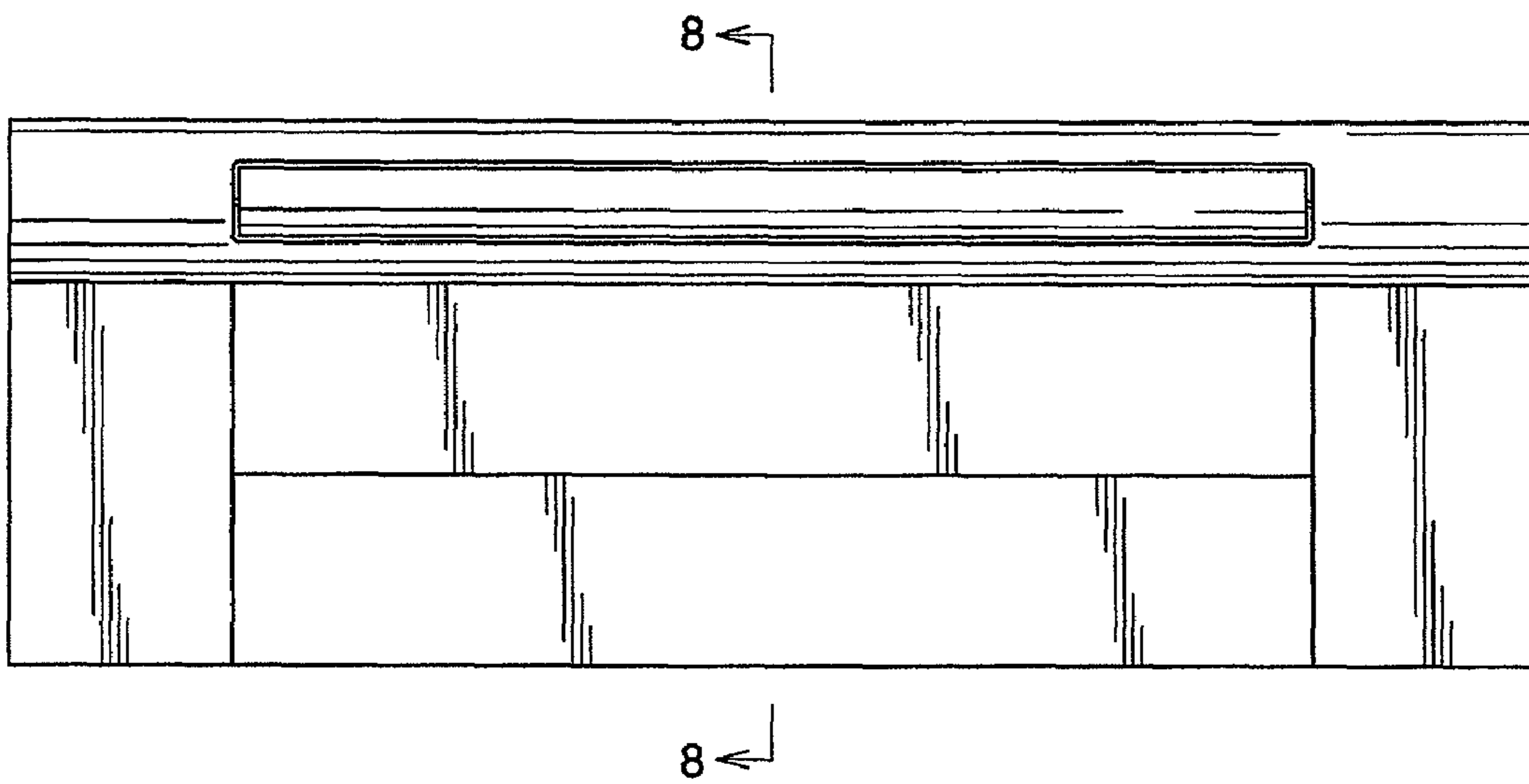


FIG.3

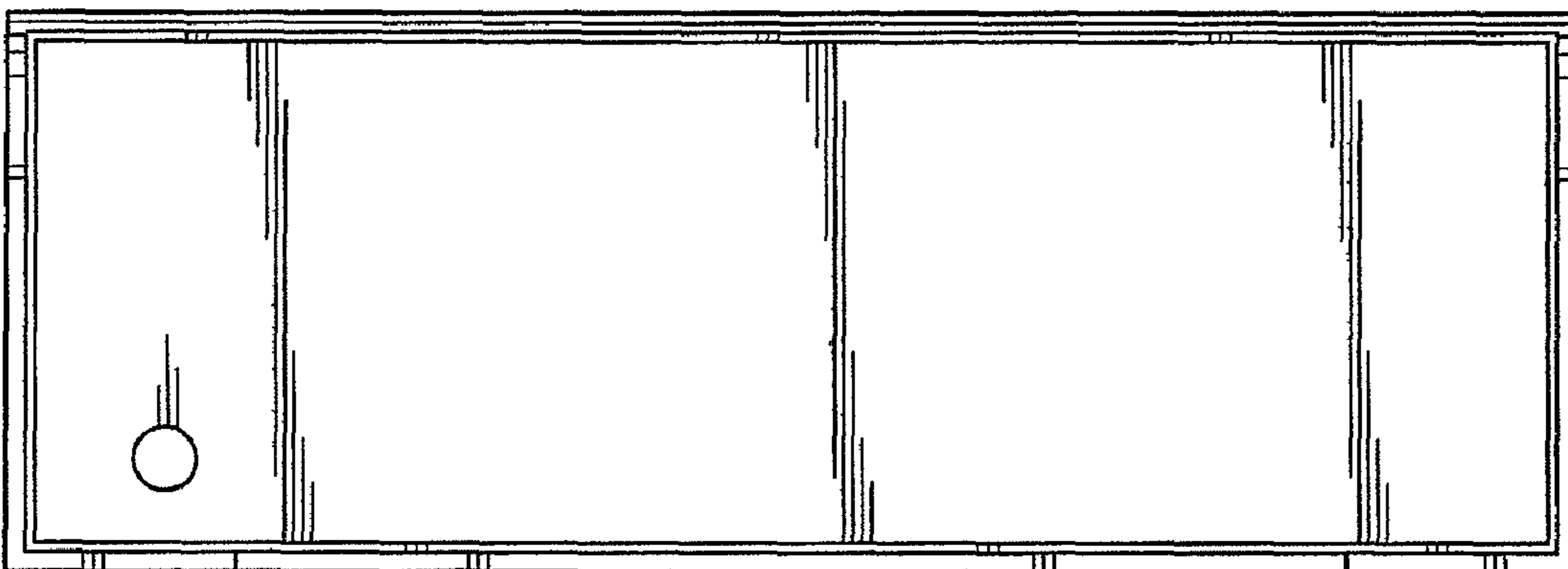


FIG.4

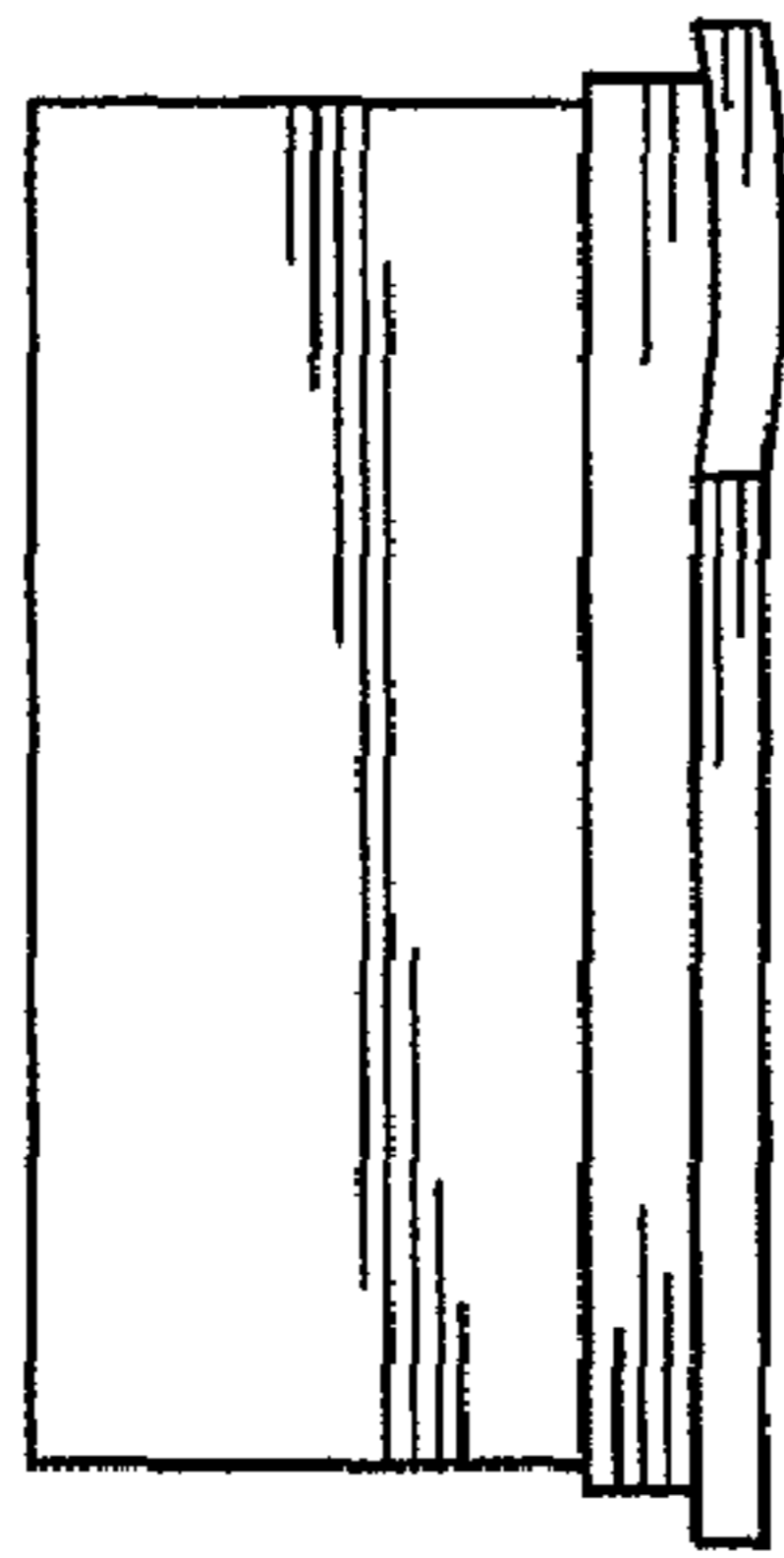


FIG.5

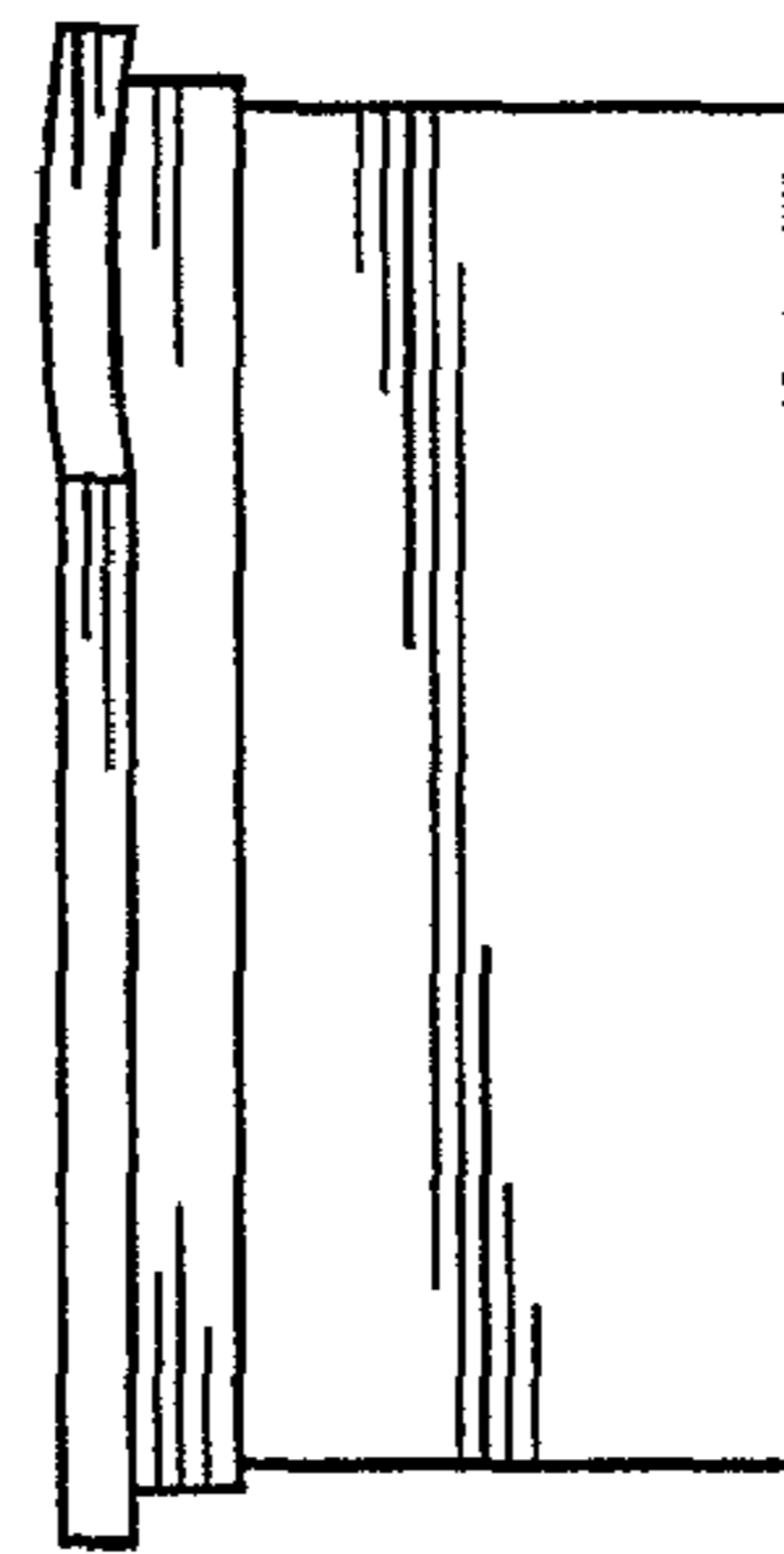


FIG.6



FIG.7

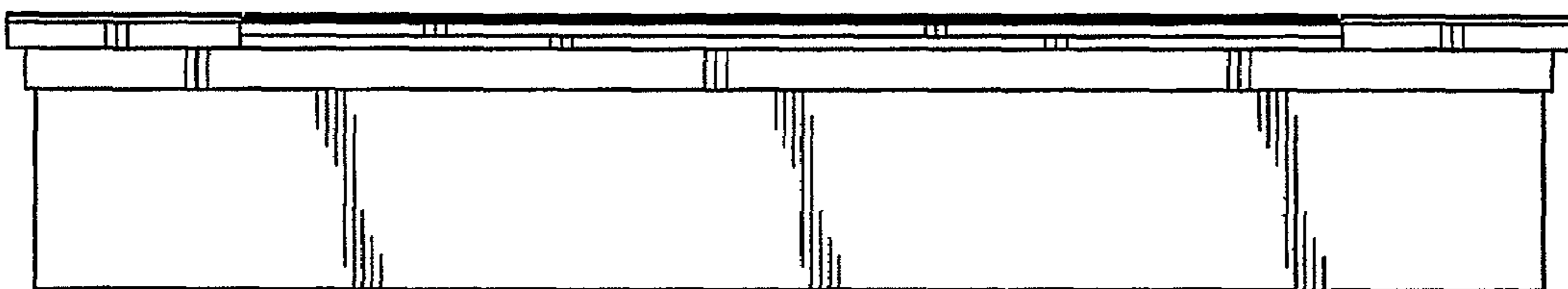


FIG.8

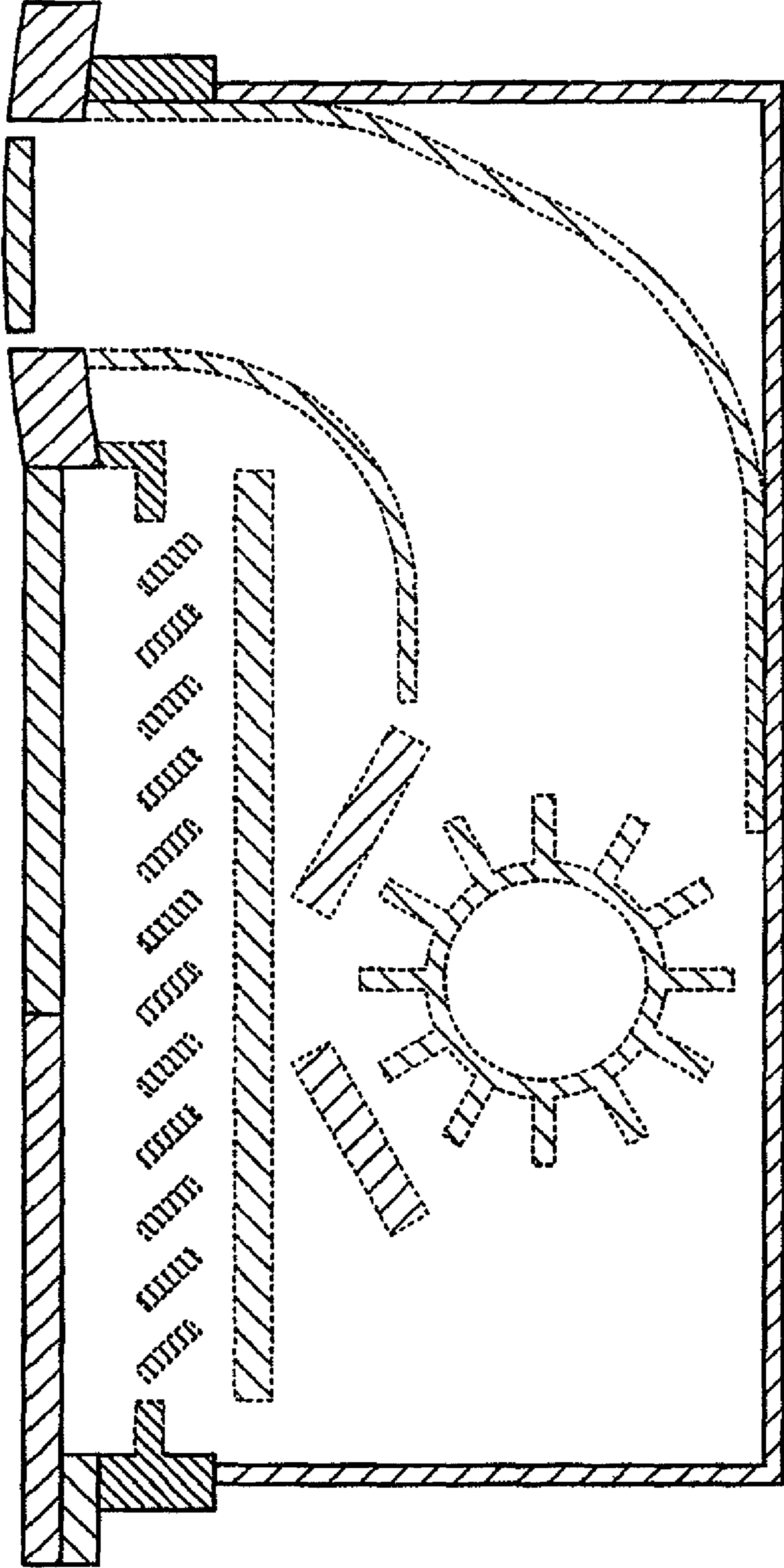


FIG.9

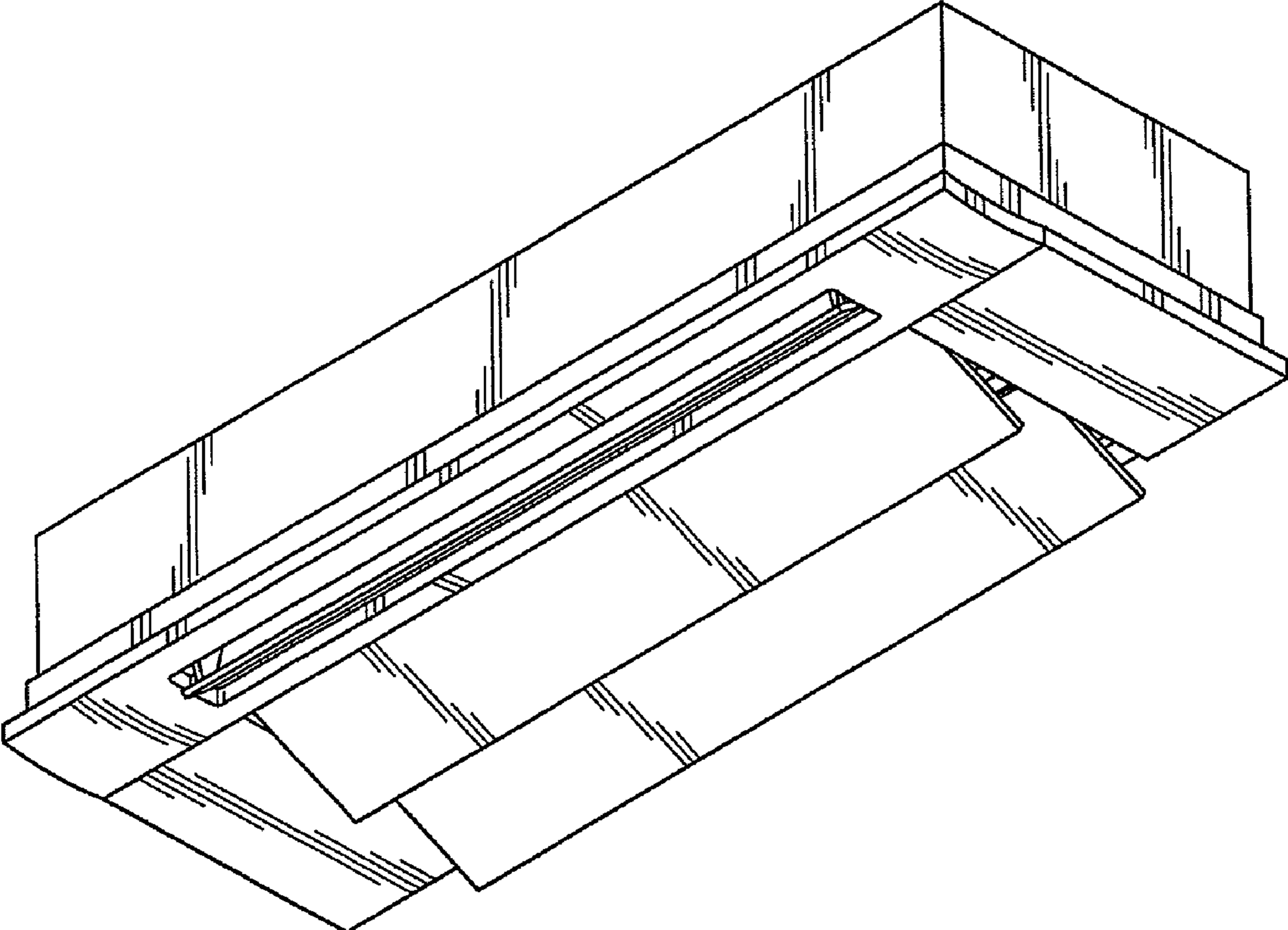


FIG. 10

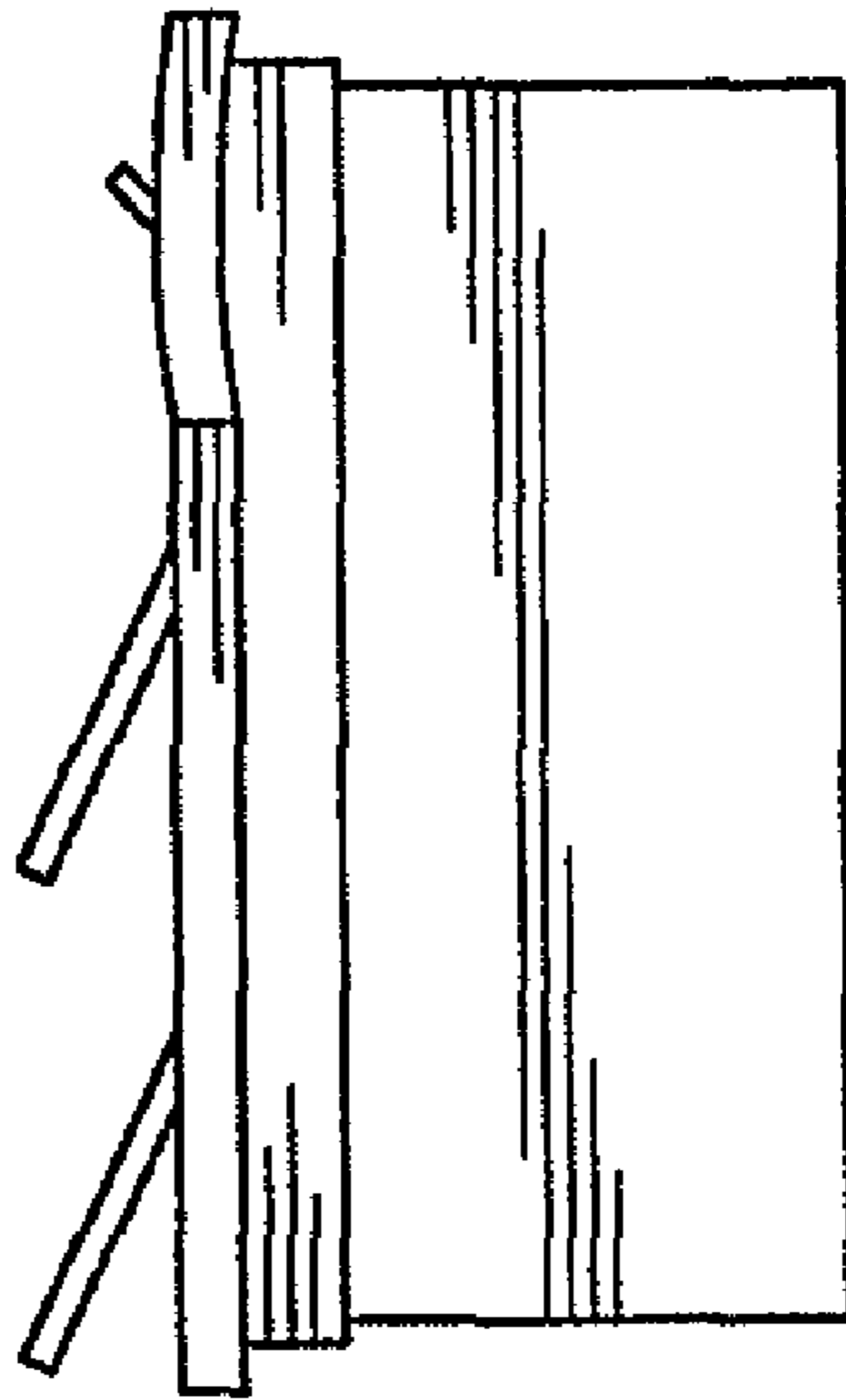


FIG. 11

