

US00D621490S

(12) **United States Design Patent**  
**Schmidt**

(10) **Patent No.:** **US D621,490 S**

(45) **Date of Patent:** **\*\* Aug. 10, 2010**

(54) **BOILER**

(75) Inventor: **Taco Schmidt**, Amsterdam (NL)

(73) Assignee: **Magic Boiler IP B.V.**, Zuidbroek (NL)

(\*\*) Term: **14 Years**

(21) Appl. No.: **29/341,912**

(22) Filed: **Aug. 14, 2009**

(30) **Foreign Application Priority Data**

Feb. 16, 2009 (EM) ..... 001088694-0001

(51) **LOC (9) Cl.** ..... **23-03**

(52) **U.S. Cl.** ..... **D23/319**

(58) **Field of Classification Search** ..... D23/318,  
D23/322, 319, 320, 321, 334; 126/361, 35 R;  
122/13.2, 14, 15, 19.2; 392/449, 451, 454  
See application file for complete search history.

(56) **References Cited**

**U.S. PATENT DOCUMENTS**

D486,897 S \* 2/2004 Rolph et al. .... D23/319

D533,648 S \* 12/2006 Moskwa et al. .... D23/319

D587,359 S \* 2/2009 Diaz et al. .... D23/318

\* cited by examiner

*Primary Examiner*—T. Chase Nelson

*Assistant Examiner*—Ania K Dworzecka

(74) *Attorney, Agent, or Firm*—The Webb Law Firm

(57) **CLAIM**

The ornamental design for a boiler, as shown and described.

**DESCRIPTION**

FIG. 1 is a front elevation view of a boiler showing my new design;

FIG. 2 is a right side elevation view thereof;

FIG. 3 is a top plan view thereof;

FIG. 4 is a top perspective view thereof;

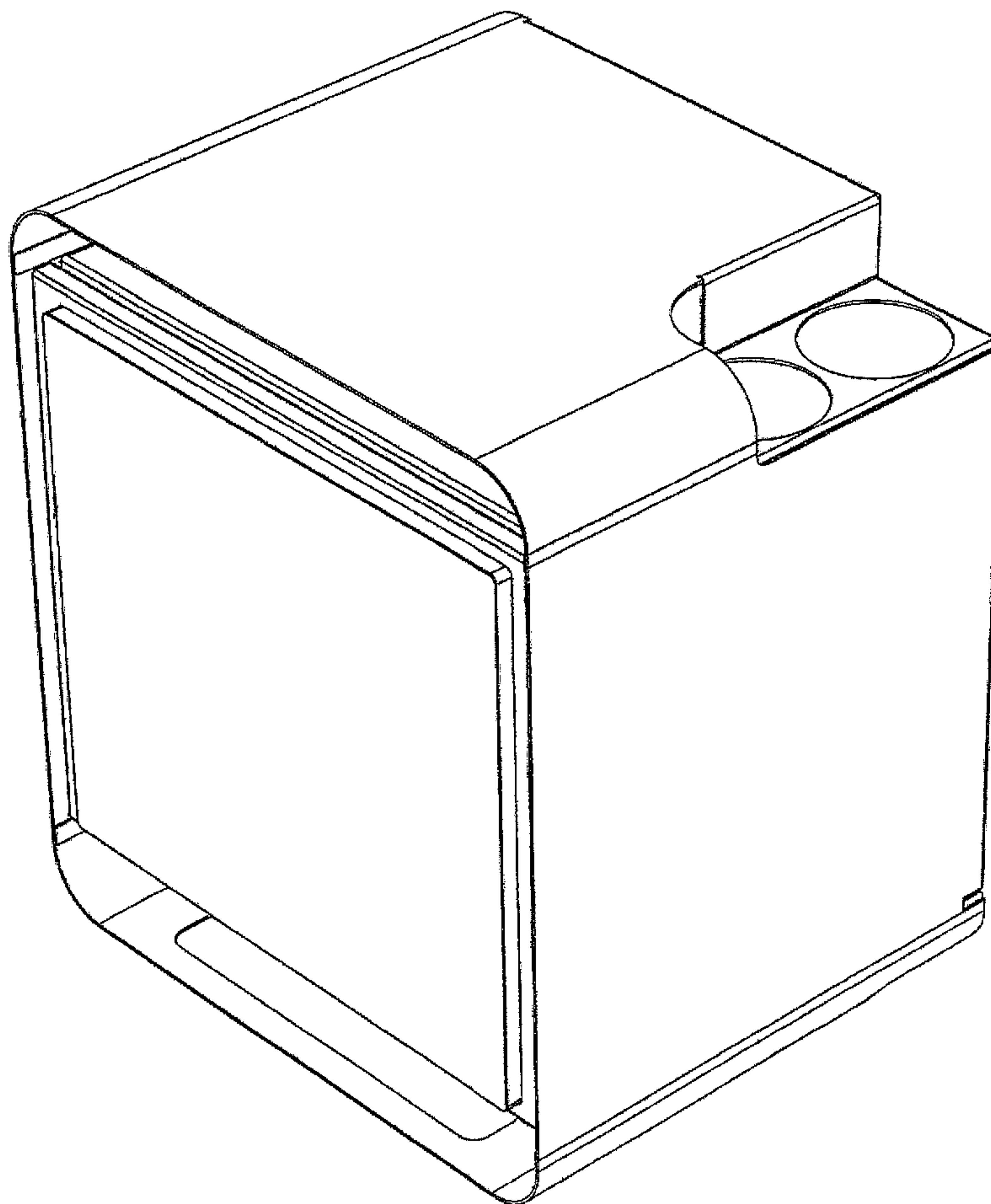
FIG. 5 is a side perspective view thereof;

FIG. 6 is a bottom perspective view thereof; and,

FIG. 7 is a right side perspective view thereof.

In the drawings, the broken lines unclaimed subject matter only and form no part of the claimed design.

**1 Claim, 7 Drawing Sheets**



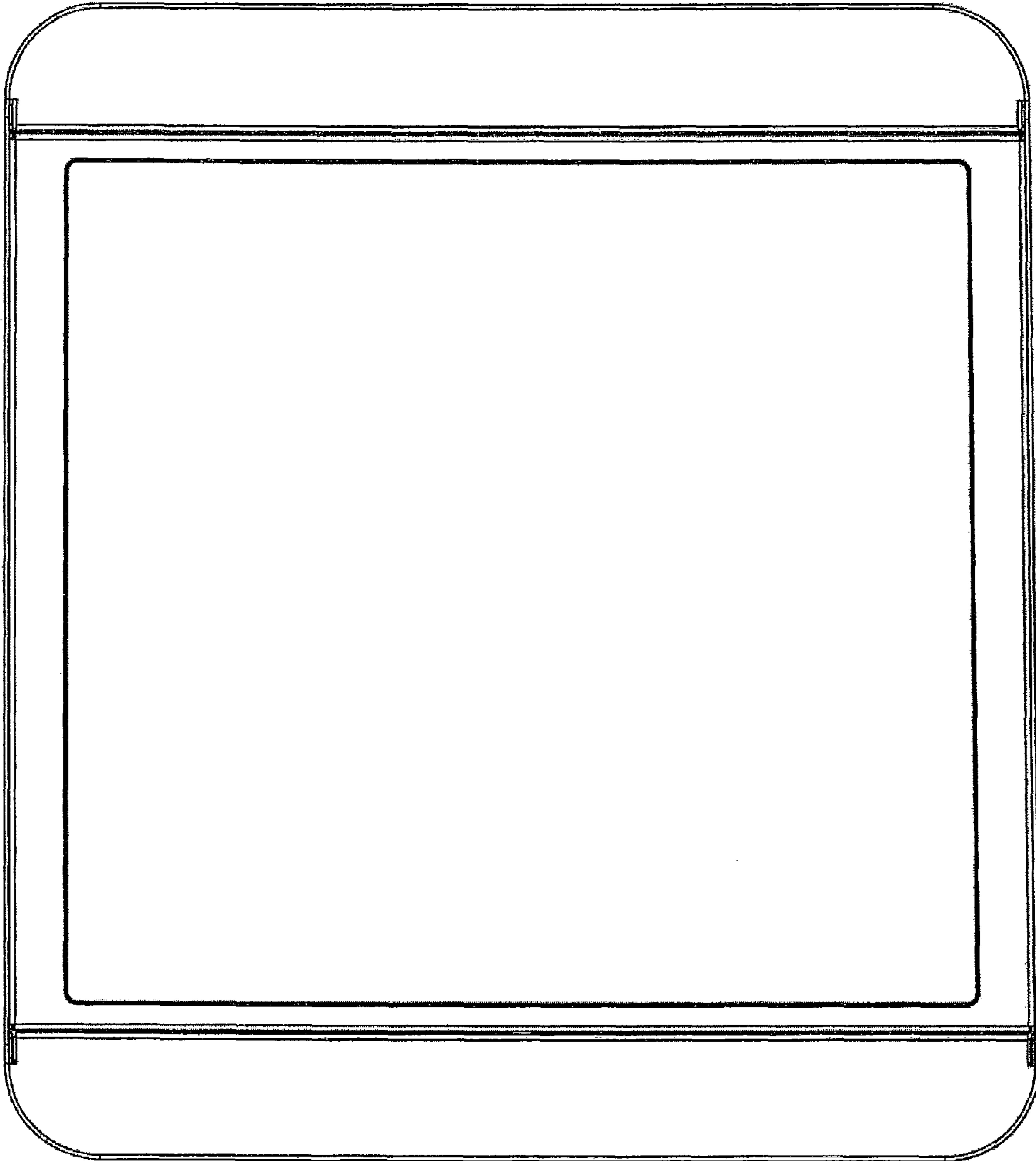


FIG. 1

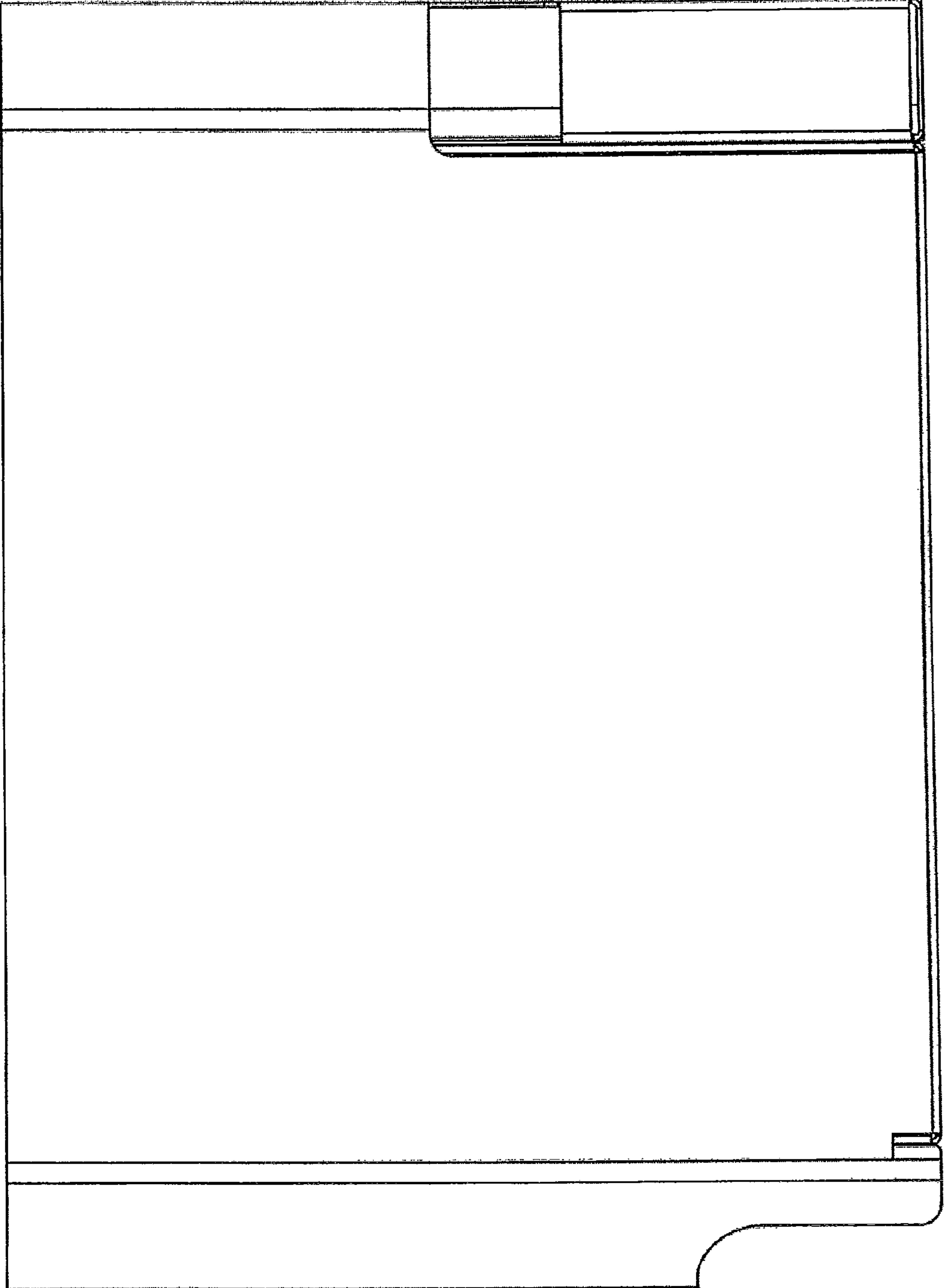


FIG. 2

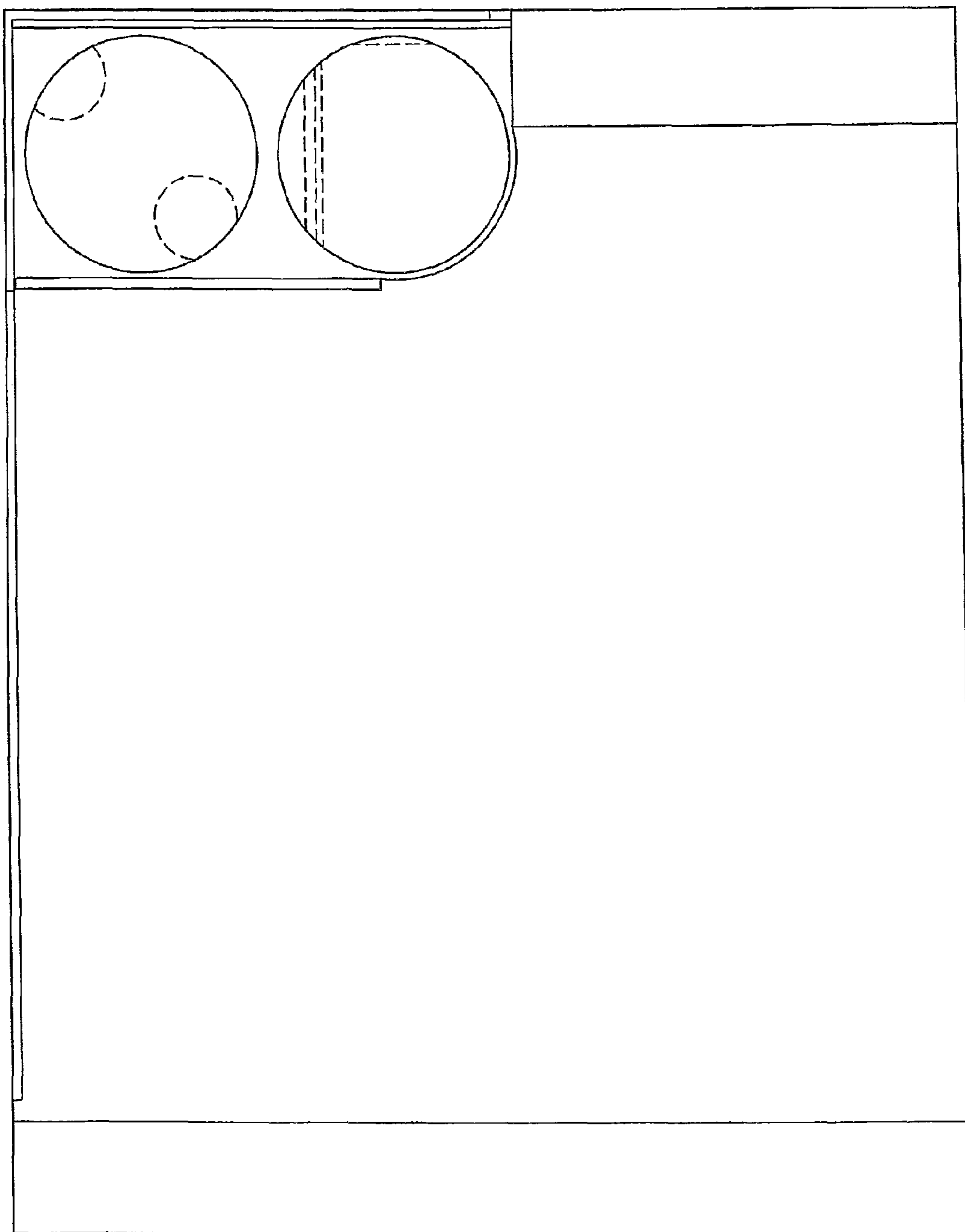


FIG.3

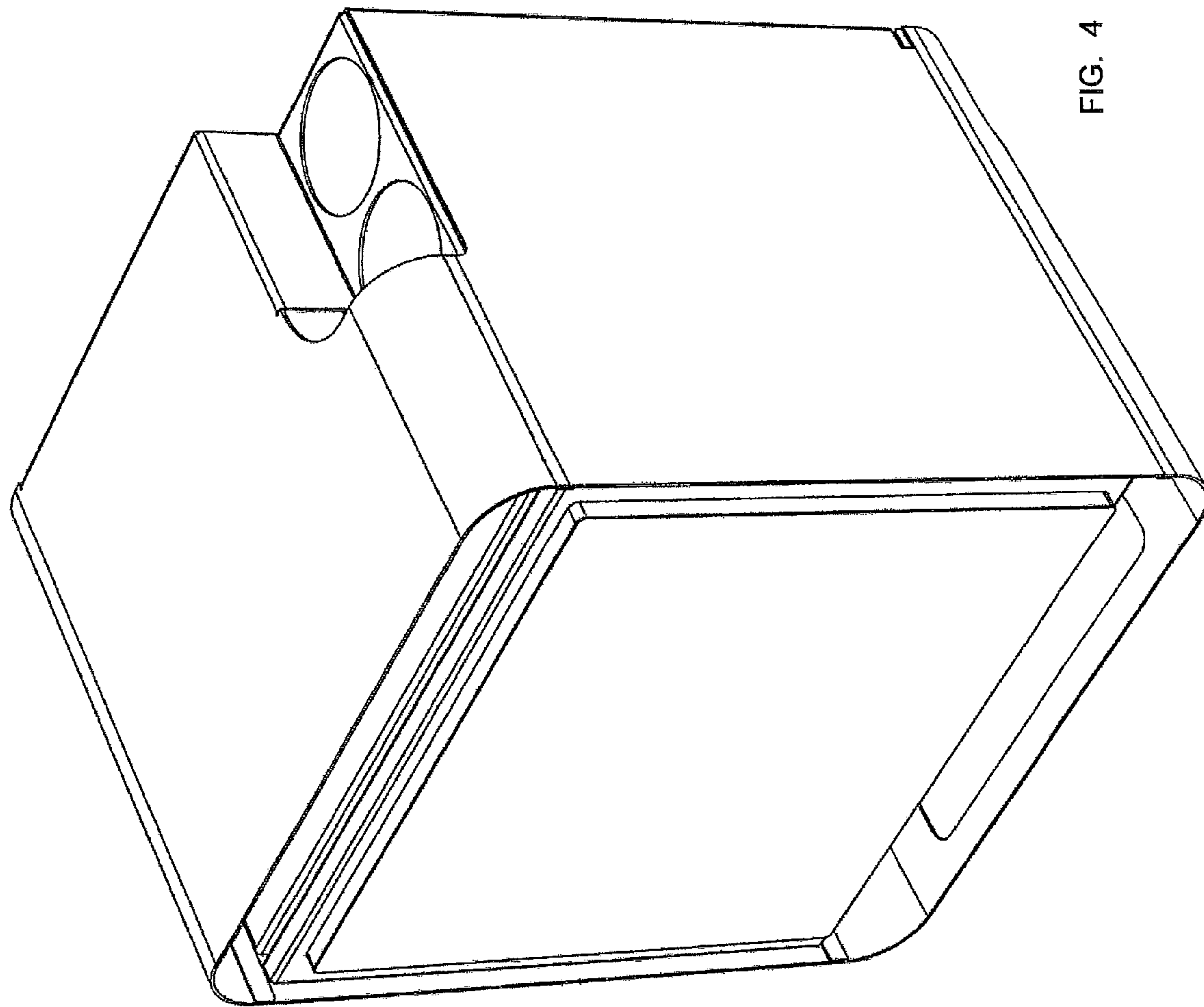


FIG. 4

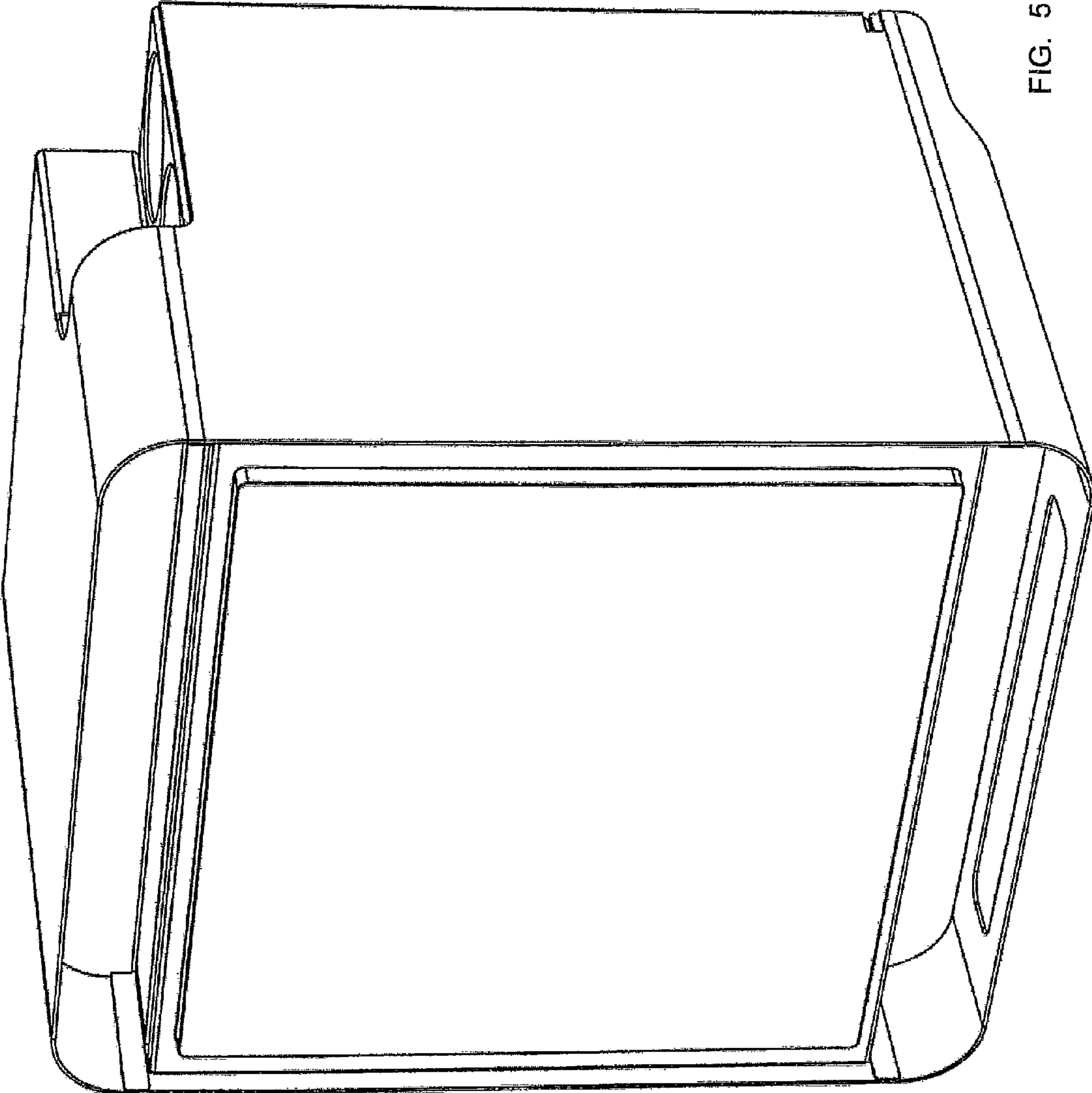


FIG. 5



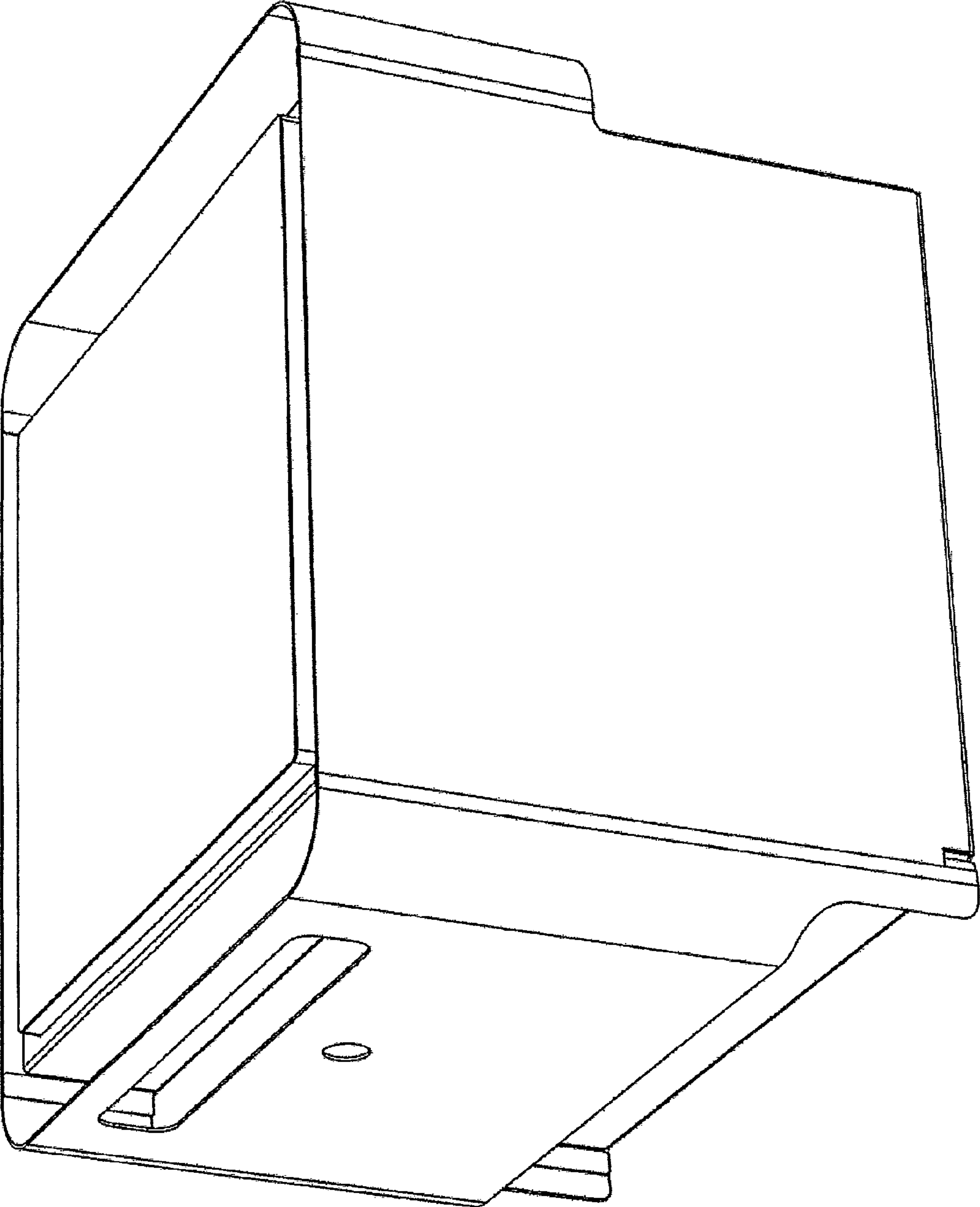


FIG. 6

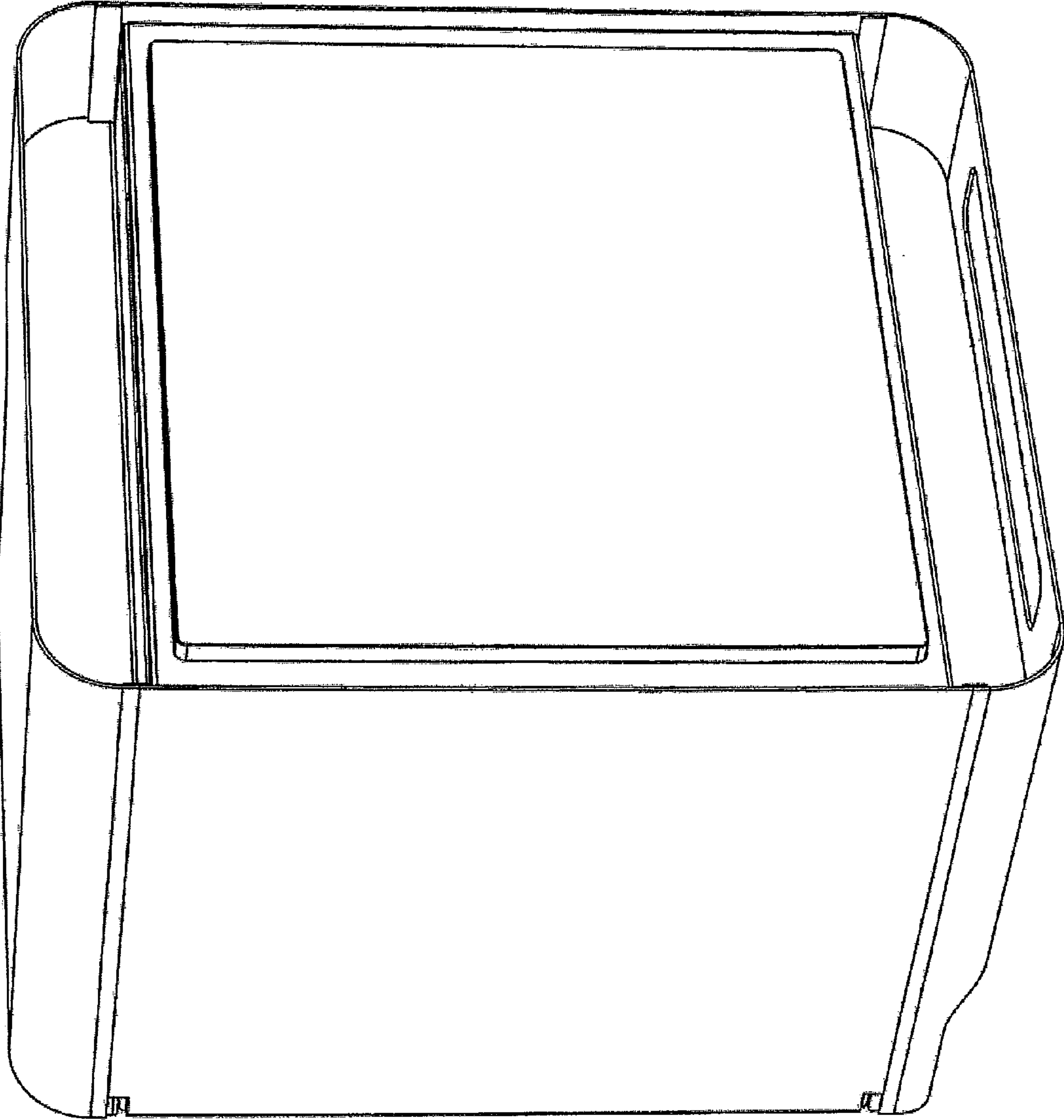


FIG. 7